



US00D666994S

(12) **United States Design Patent**
Pazandeh

(10) **Patent No.:** **US D666,994 S**

(45) **Date of Patent:** **** Sep. 11, 2012**

(54) **SPEAKER HOUSING**

Primary Examiner — Prabhakar Deshmukh

(76) Inventor: **Ira Pazandeh**, Yorba Linda, CA (US)

(**) Term: **14 Years**

(57) **CLAIM**

I claim, the ornamental design for a speaker housing, as shown and described.

(21) Appl. No.: **29/373,573**

(22) Filed: **Apr. 29, 2011**

(51) **LOC (9) Cl.** **14-01**

(52) **U.S. Cl.** **D14/215**

(58) **Field of Classification Search** D14/204,
D14/210–216, 172; 181/143–144, 147–148,
181/150–153, 157, 198–199; 381/300–303,
381/306, 332–333, 336, 345, 361–364, 386–388
See application file for complete search history.

DESCRIPTION

FIG. 1 is a perspective view of the speaker housing showing the new design.

FIG. 2 is a rear/side perspective view thereof;

FIG. 3 is a front elevational view thereof;

FIG. 4 is a top view thereof;

FIG. 5 is a bottom view thereof;

FIG. 6 is a right side elevational view thereof;

FIG. 7 is a left side elevational view thereof; and,

FIG. 8 is a rear elevational view thereof.

The broken line showing on the drawing disclosure is for illustrative purposes only and forms no part of the claimed design.

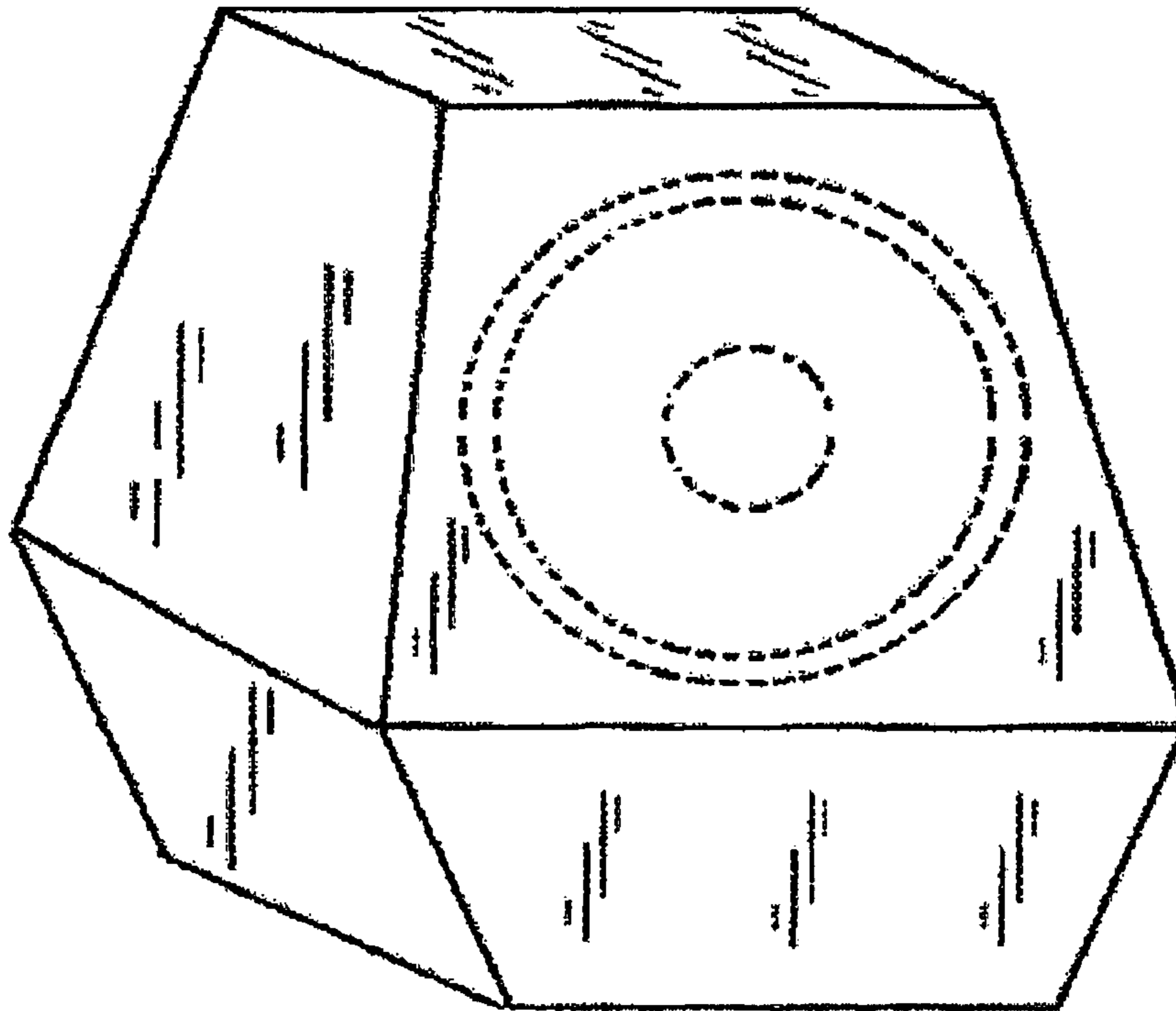
(56) **References Cited**

U.S. PATENT DOCUMENTS

D280,984 S *	10/1985	Tricker	D14/214
D434,750 S *	12/2000	Childers et al.	D14/204
D588,577 S *	3/2009	Blanchette	D14/214
D623,168 S *	9/2010	Chen	D14/215
D626,938 S *	11/2010	Moore et al.	D14/214

* cited by examiner

1 Claim, 5 Drawing Sheets



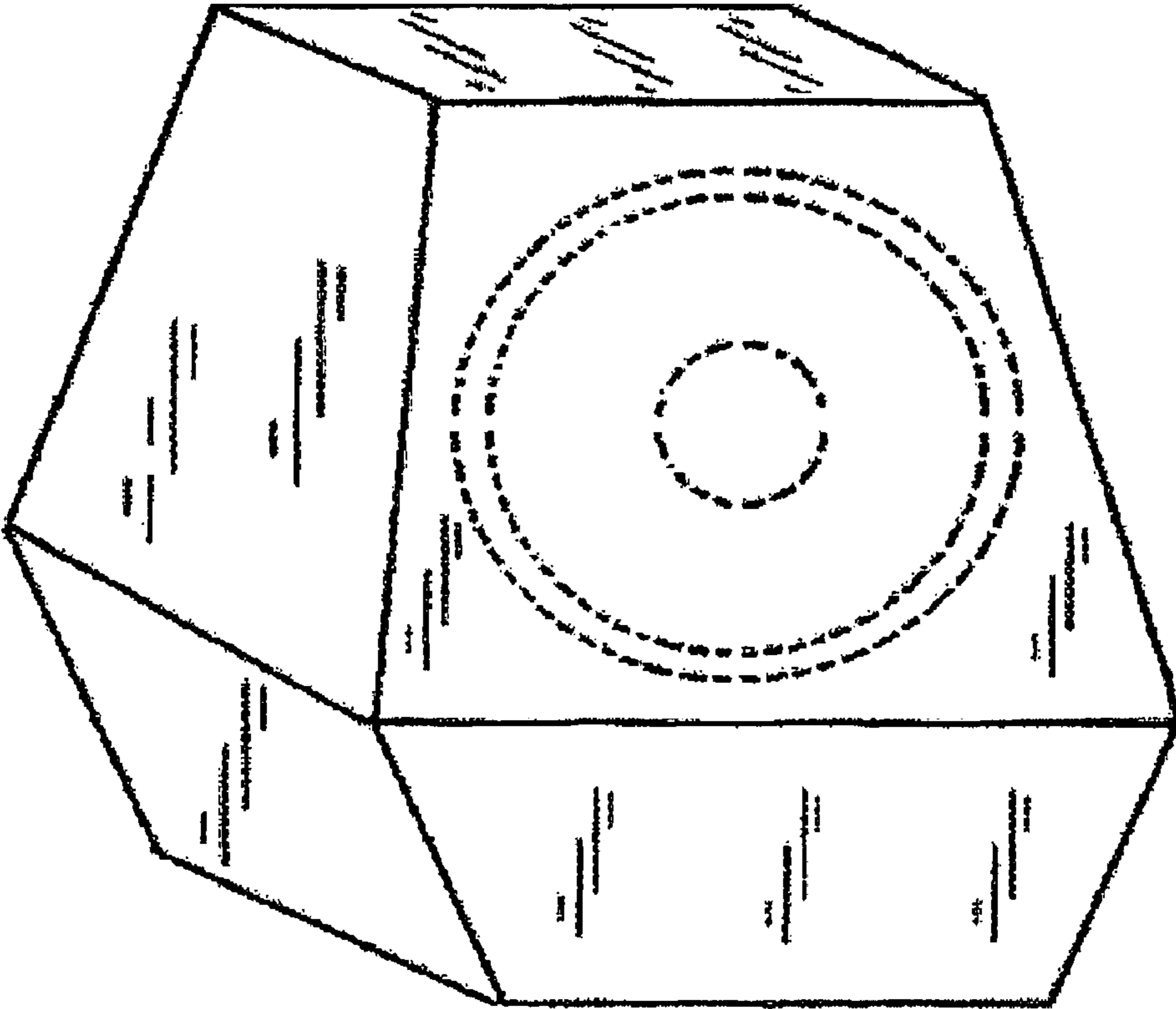


FIG.1

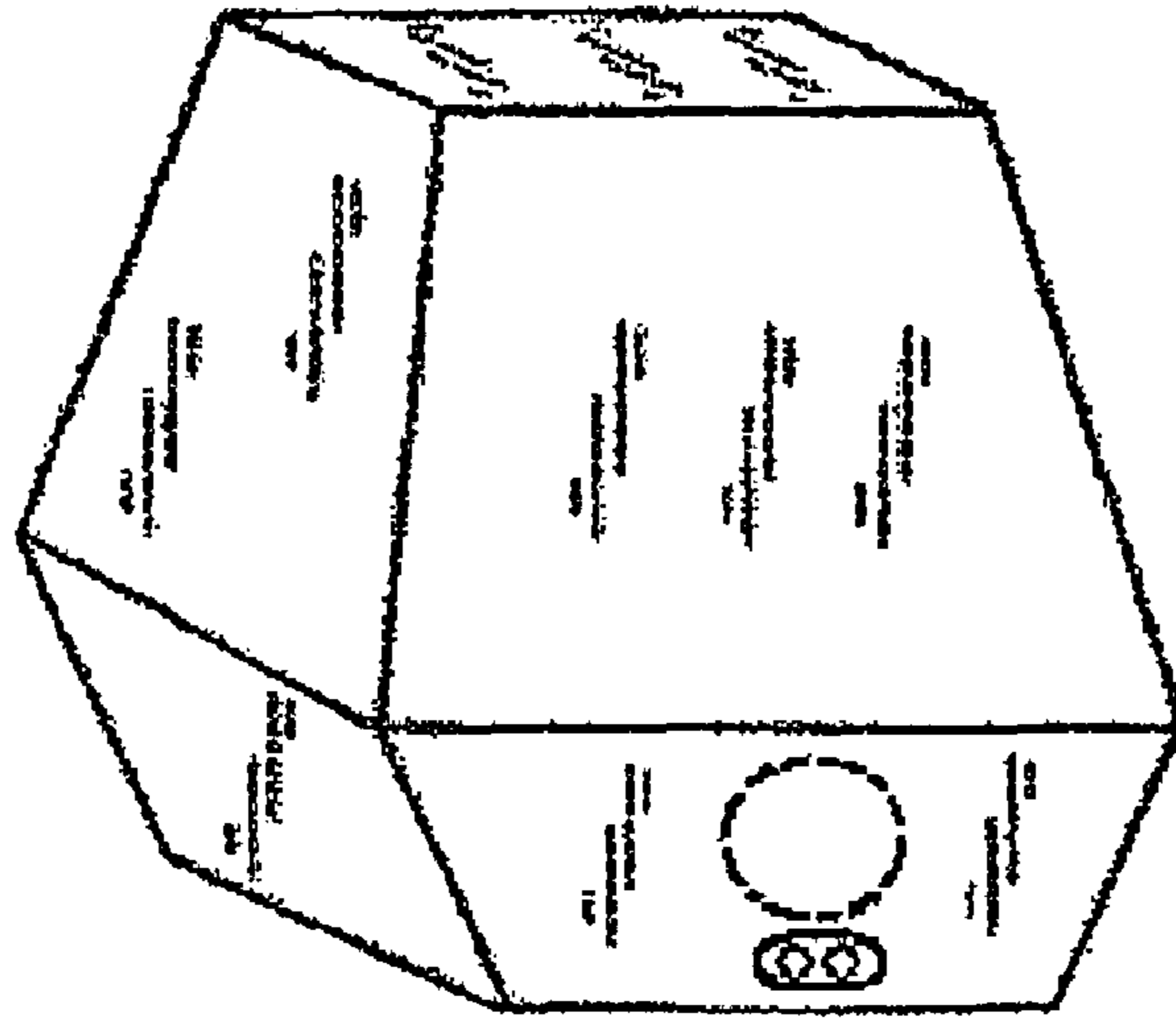


FIG. 2

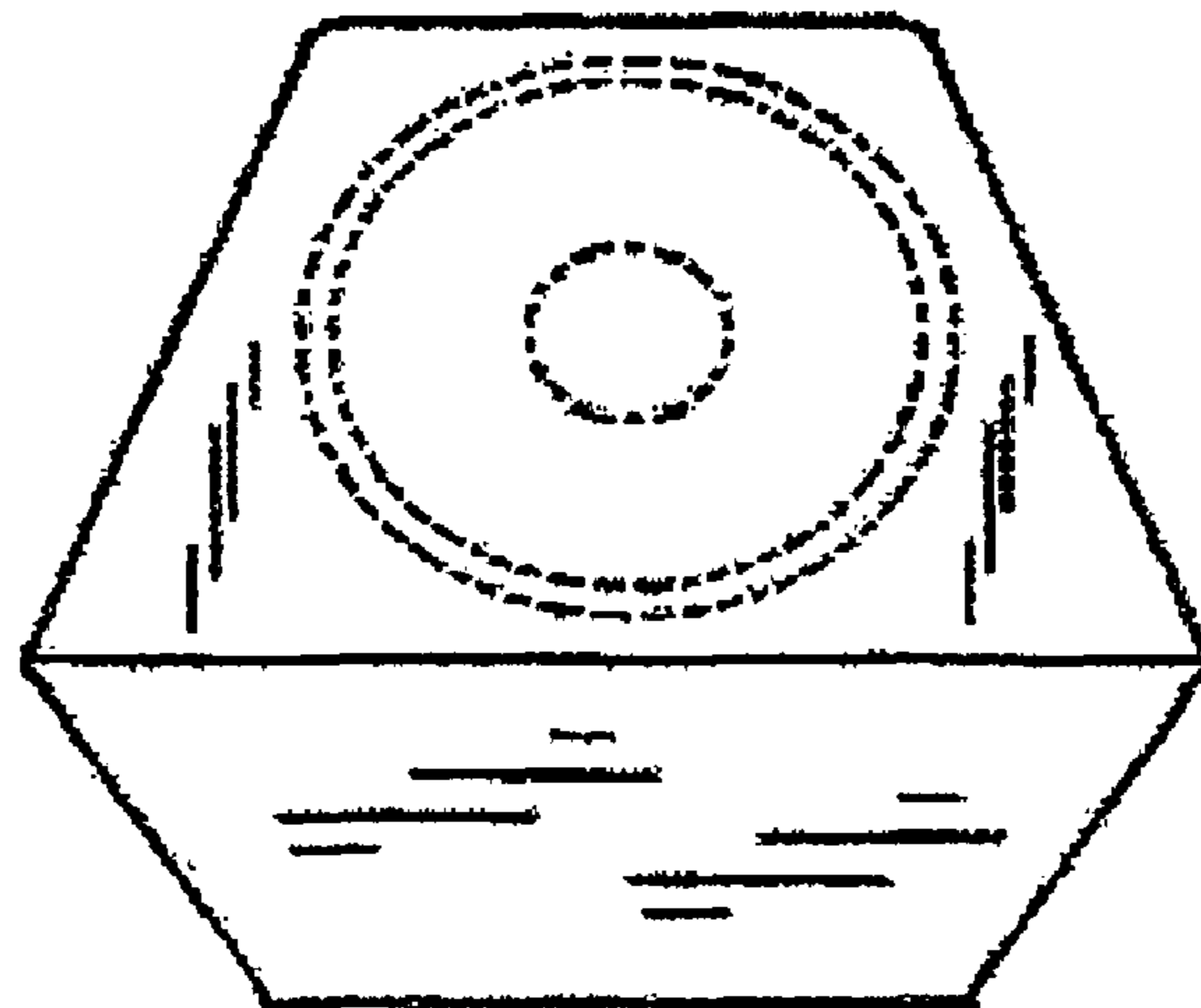


FIG. 3

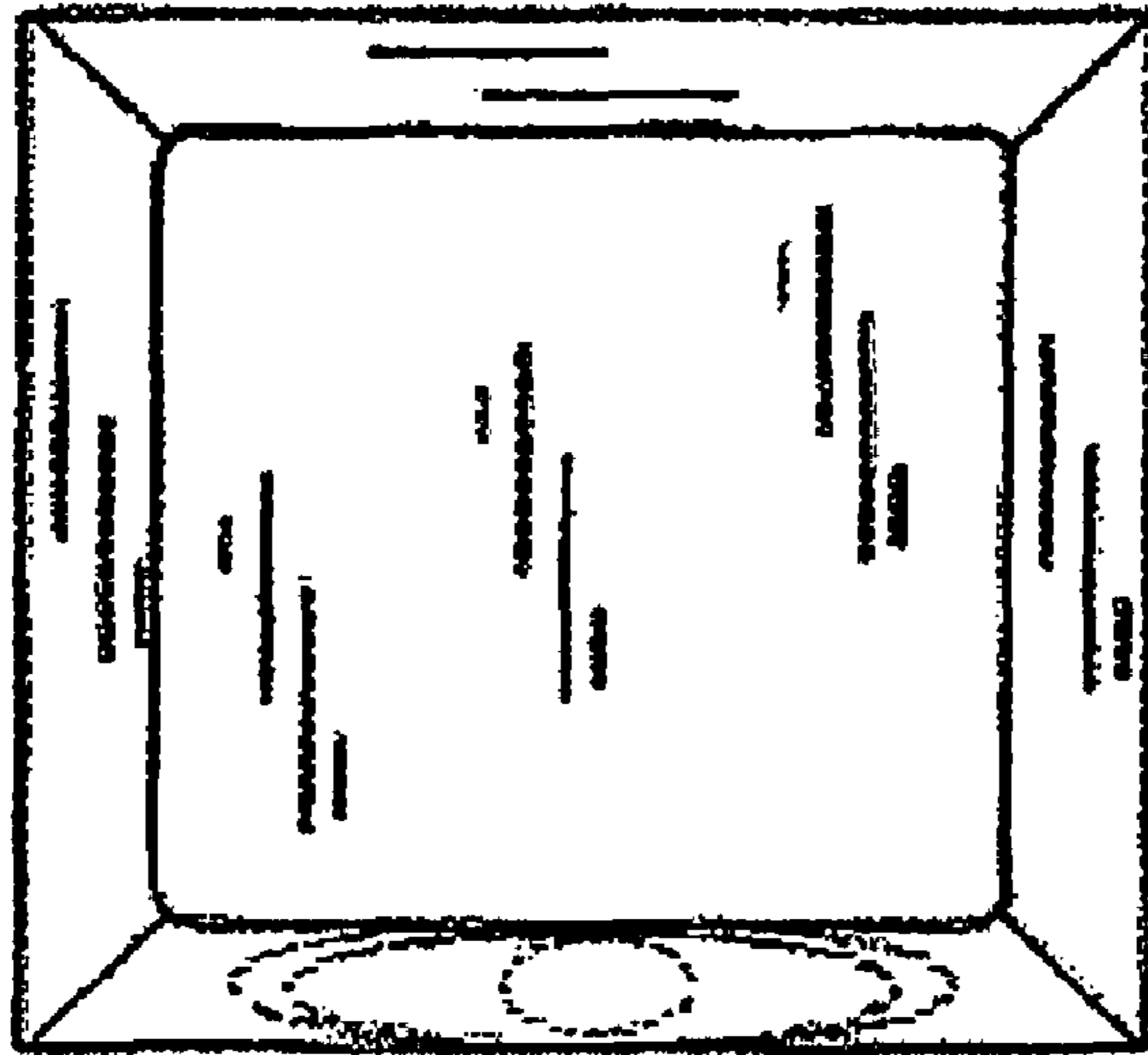


FIG. 4

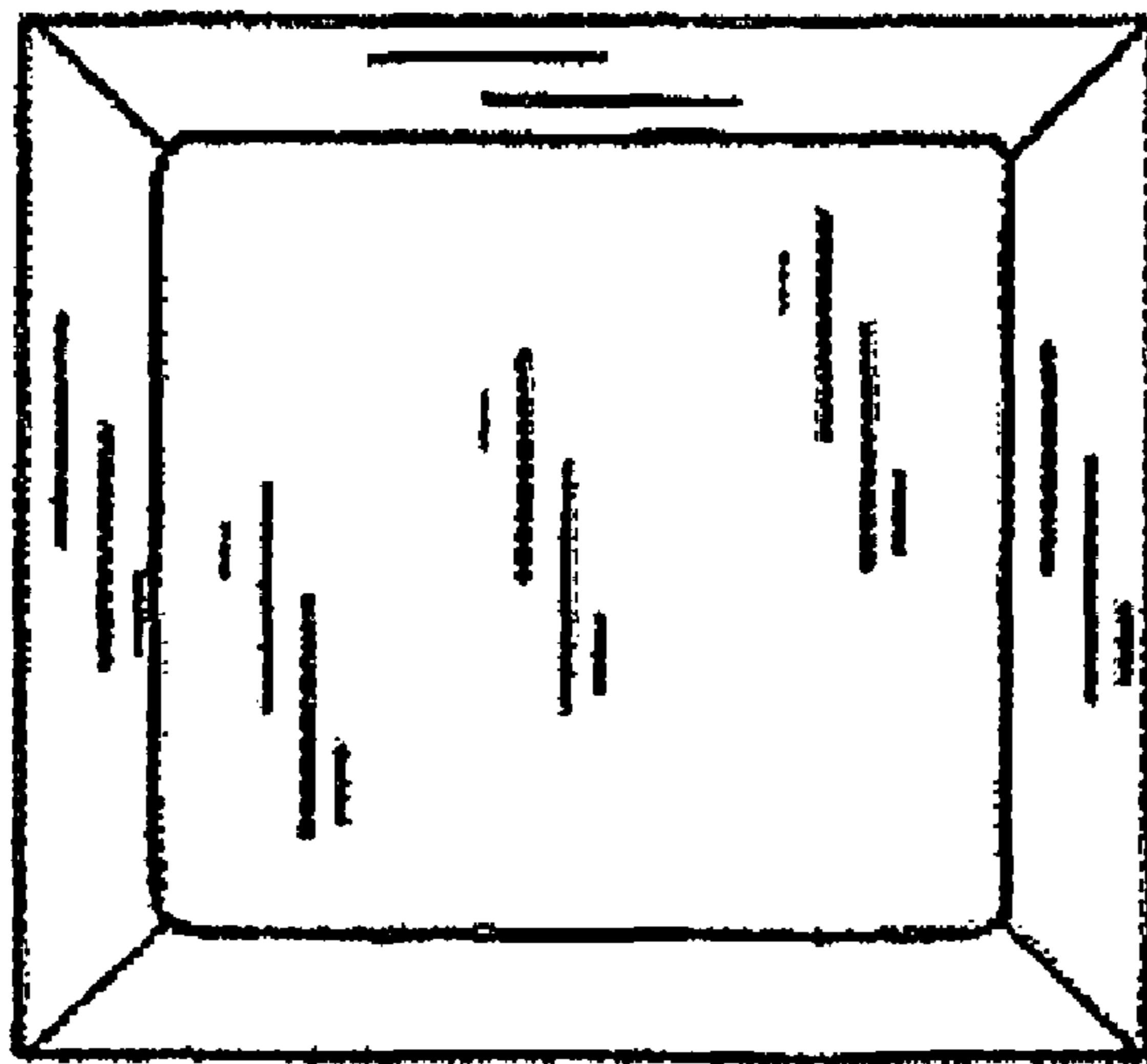


FIG. 5

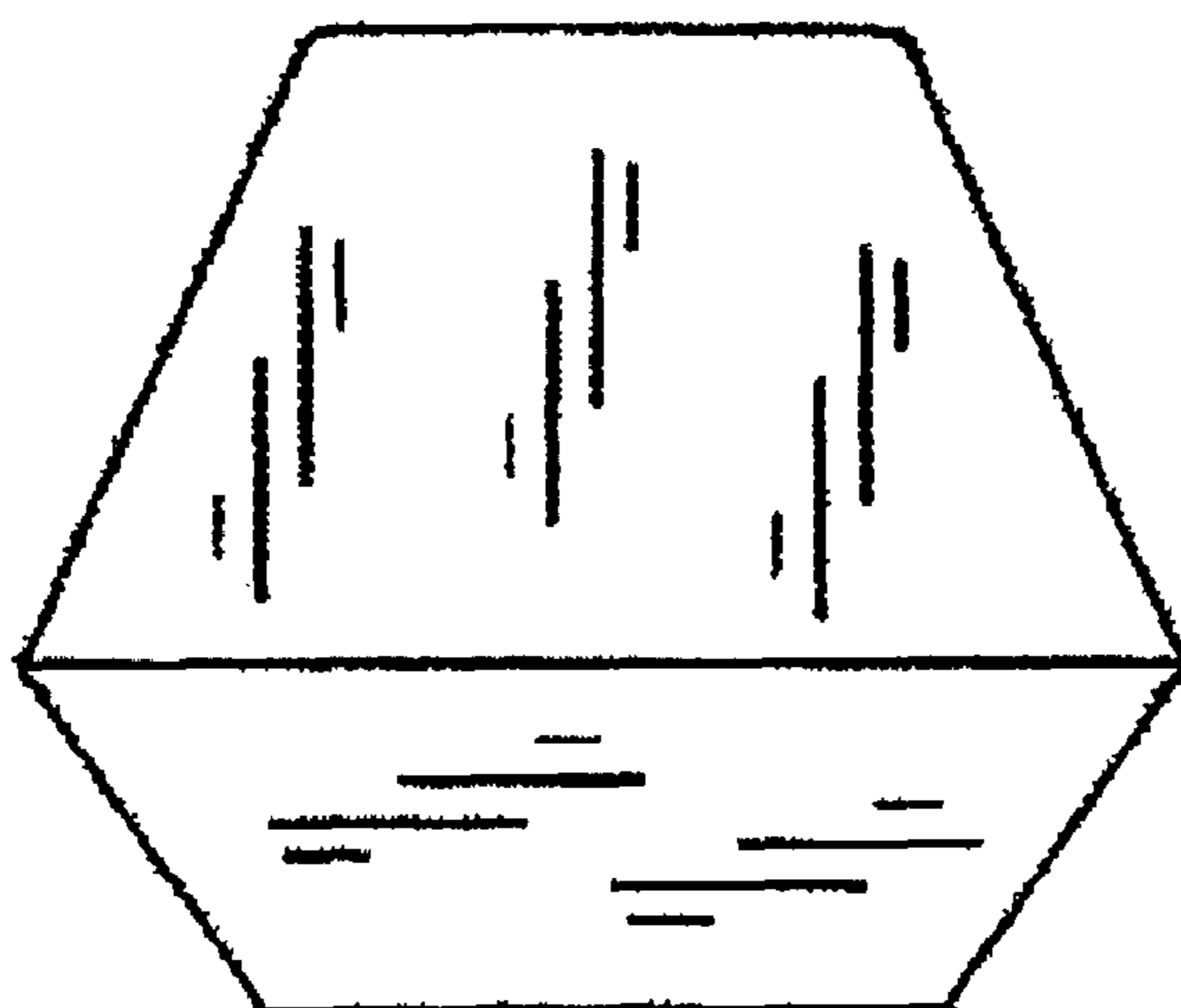


FIG. 6

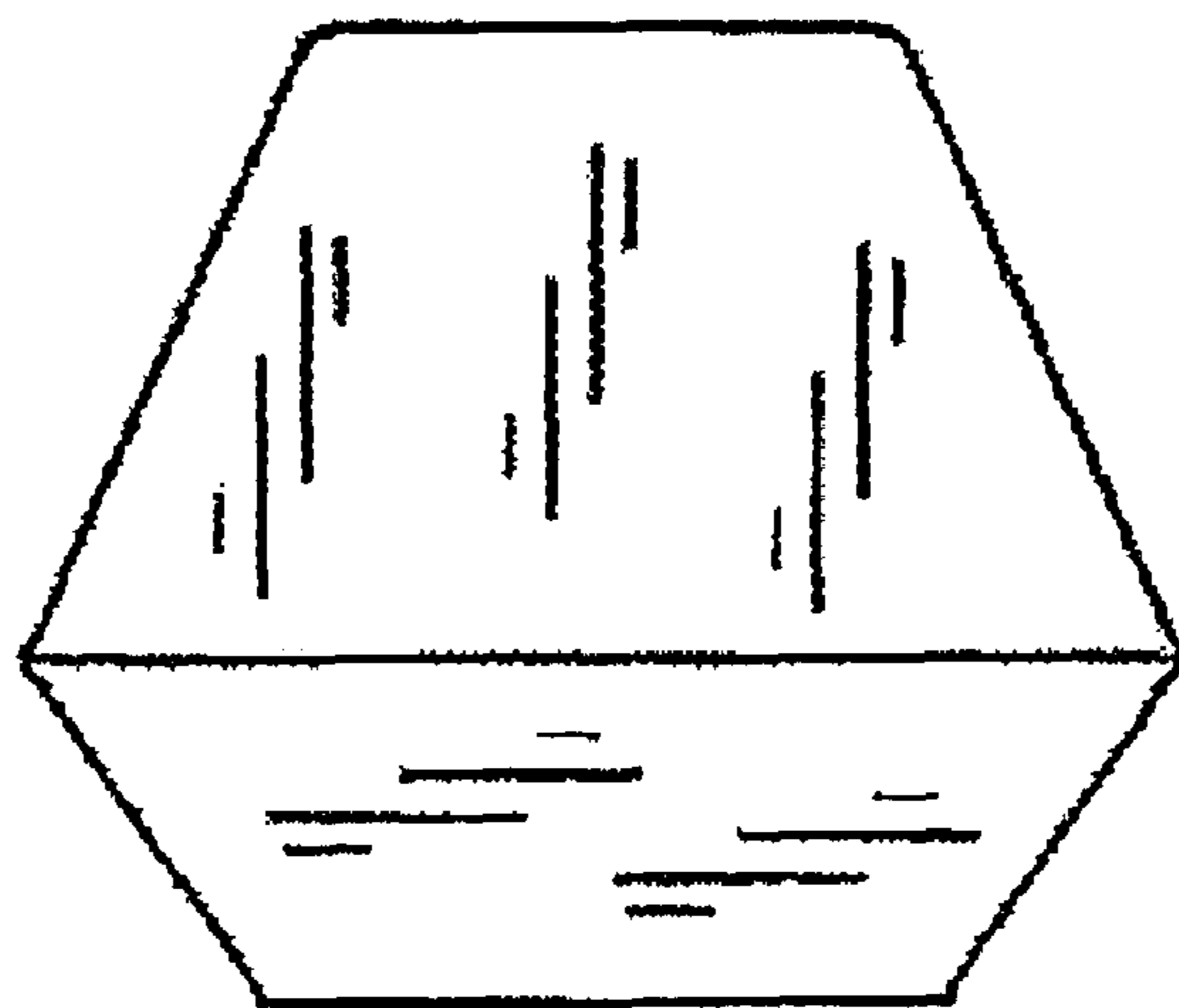


FIG. 7

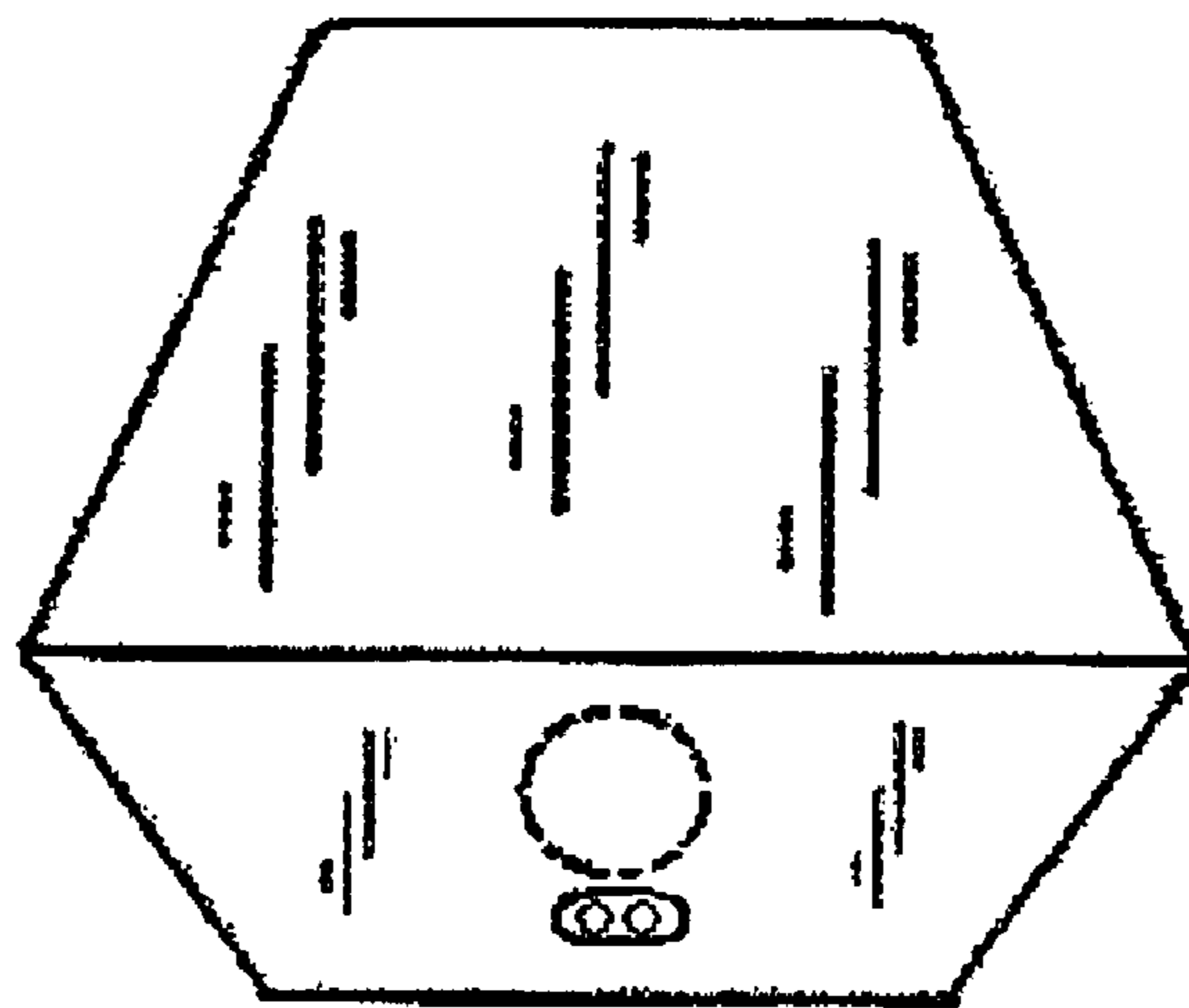


FIG. 8