



US00D666992S

(12) **United States Design Patent**
Lee et al.

(10) **Patent No.:** **US D666,992 S**
(45) **Date of Patent:** **** Sep. 11, 2012**

(54) **HEADPHONES**

(75) Inventors: **Noel Lee**, Las Vegas, NV (US);
Kendrew Lee, Tsing Yi (HK); **Jacky Hsiung**, San Jose, CA (US)

(73) Assignee: **Monster Cable Products, Inc.**,
Brisbane, CA (US)

(**) Term: **14 Years**

(21) Appl. No.: **29/400,733**

(22) Filed: **Aug. 31, 2011**

(51) **LOC (9) Cl.** **14-01**

(52) **U.S. Cl.** **D14/205**

(58) **Field of Classification Search** D14/205,
D14/206, 223, 188, 192; 181/129, 130, 135;
379/430, 431; 381/380, 381, 372, 348; 2/209;
D29/112; 455/90.3, 575.1; D2/891, 894
See application file for complete search history.

(56) **References Cited**

U.S. PATENT DOCUMENTS

3,454,964	A *	7/1969	Brinkhoff	2/209
3,579,640	A *	5/1971	Beguín et al.	2/209
D222,361	S *	10/1971	Hart	D14/205
D244,300	S *	5/1977	Besasio	D14/205
D246,242	S *	11/1977	Bellini	D14/205
5,003,589	A *	3/1991	Chen	379/433.11
D317,767	S *	6/1991	Banks	D14/205
D351,172	S *	10/1994	Nakamura et al.	D14/205
5,697,386	A *	12/1997	Chang	132/273
D552,077	S *	10/2007	Brunner et al.	D14/205
D576,604	S *	9/2008	Suzuki	D14/205
D594,441	S	6/2009	Lee et al.		
D598,901	S	8/2009	Lee et al.		
D599,781	S	9/2009	Lee et al.		
D600,675	S	9/2009	Lee et al.		
D625,705	S *	10/2010	Ohori et al.	D14/205

D634,732	S *	3/2011	Kondo et al.	D14/205
D637,176	S *	5/2011	Brunner et al.	D14/205
D637,182	S	5/2011	Lee et al.		
D641,003	S *	7/2011	Alden	D14/205
D641,008	S	7/2011	Lee et al.		
D641,725	S *	7/2011	Chong et al.	D14/205
D642,163	S	7/2011	Lee et al.		
D643,417	S	8/2011	Lee et al.		
D643,418	S	8/2011	Lee et al.		
D643,833	S	8/2011	Lee et al.		
D656,480	S *	3/2012	McManigal et al.	D14/205
D657,346	S *	4/2012	Park	D14/205

* cited by examiner

Primary Examiner — Paula Greene

(74) *Attorney, Agent, or Firm* — LaRiviere, Grubman & Payne, LLP

(57) **CLAIM**

The ornamental design for headphones, as shown and described.

DESCRIPTION

FIG. 1 is a rear perspective view of headphones having a mounted interchangeable, headband, showing our design; FIG. 2 is front view thereof; FIG. 3 is a rear view thereof; FIG. 4 is a side view thereof; FIG. 5 is an opposing side view thereof; FIG. 6 is a top view thereof; FIG. 7 is a bottom view thereof; and, FIG. 8 is an exploded view of the headphones of FIG. 1 with a dismounted interchangeable headband, showing our design. The bottom of the interchangeable headband shown in FIG. 8 is plain and unornamented. The broken lines showing the environment are for illustrative purposes only and form no part of the claimed design.

1 Claim, 6 Drawing Sheets

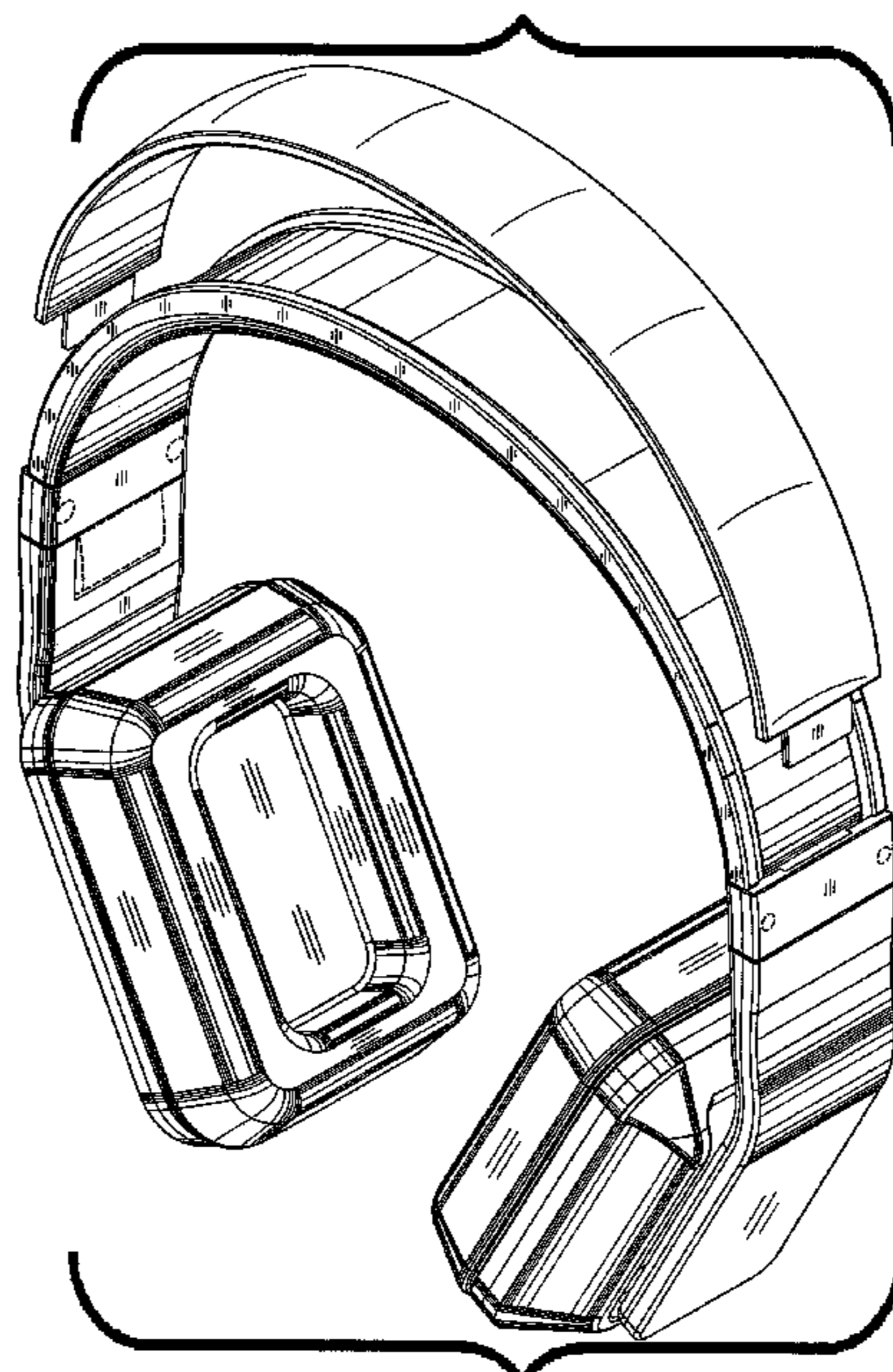




Figure 1



Figure 2



Figure 3

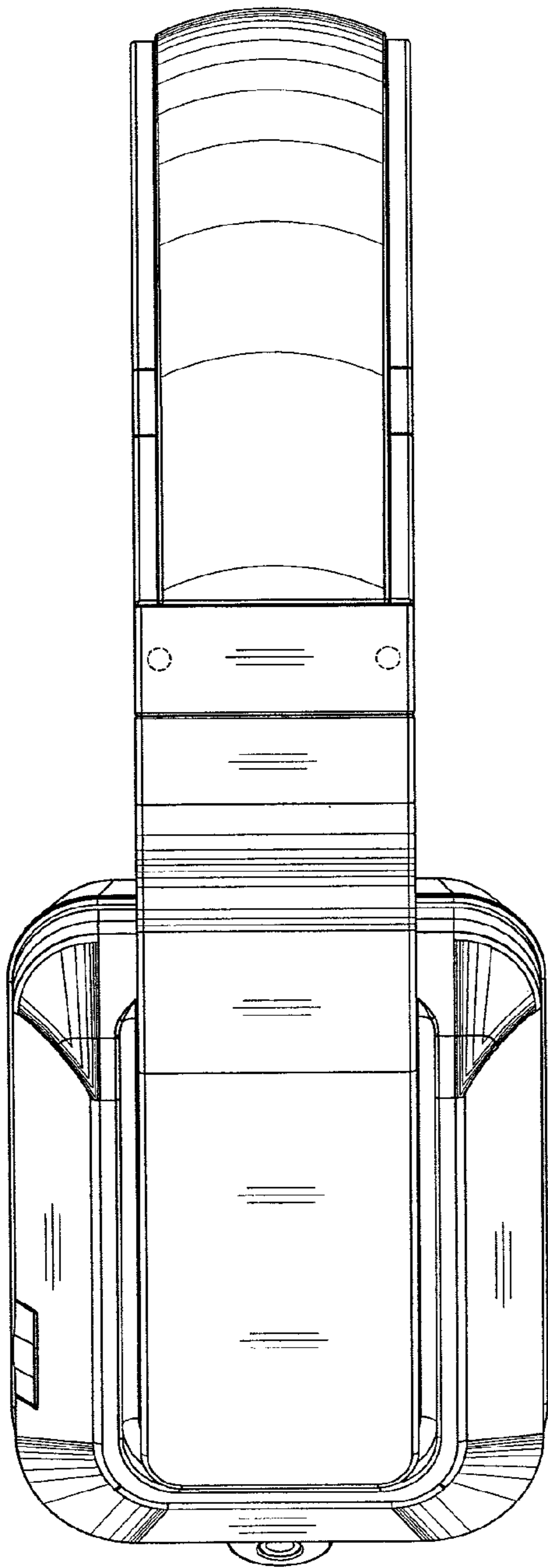


Figure 4

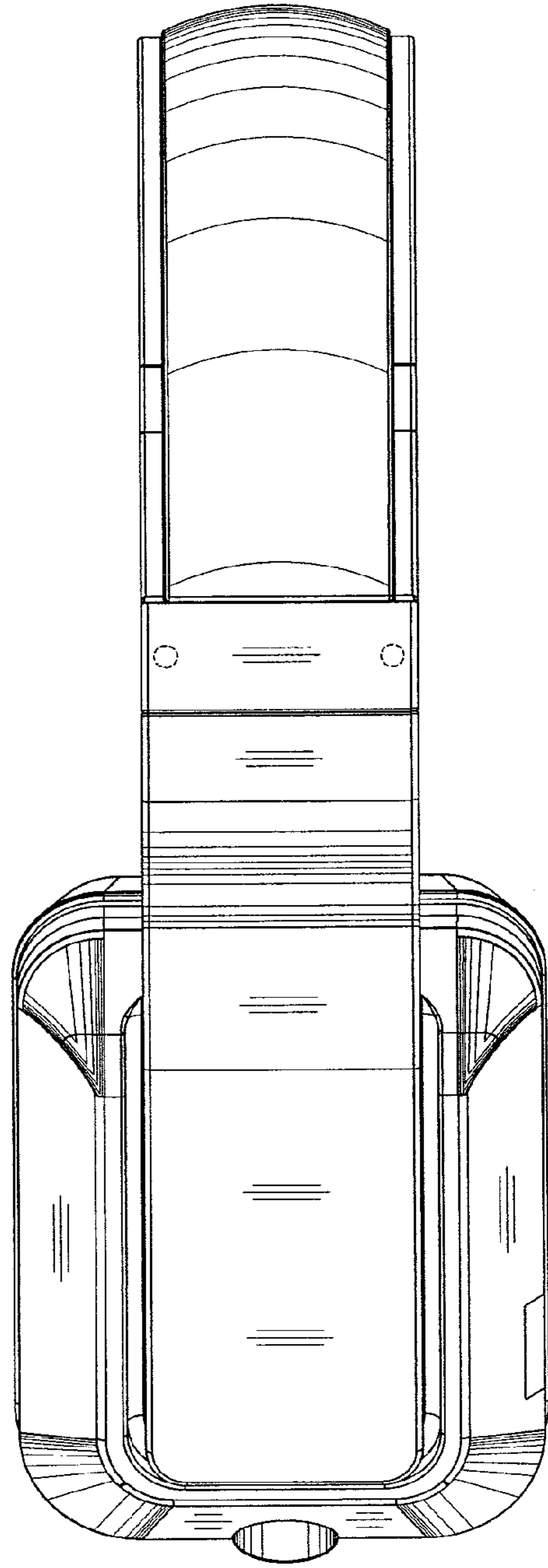


Figure 5

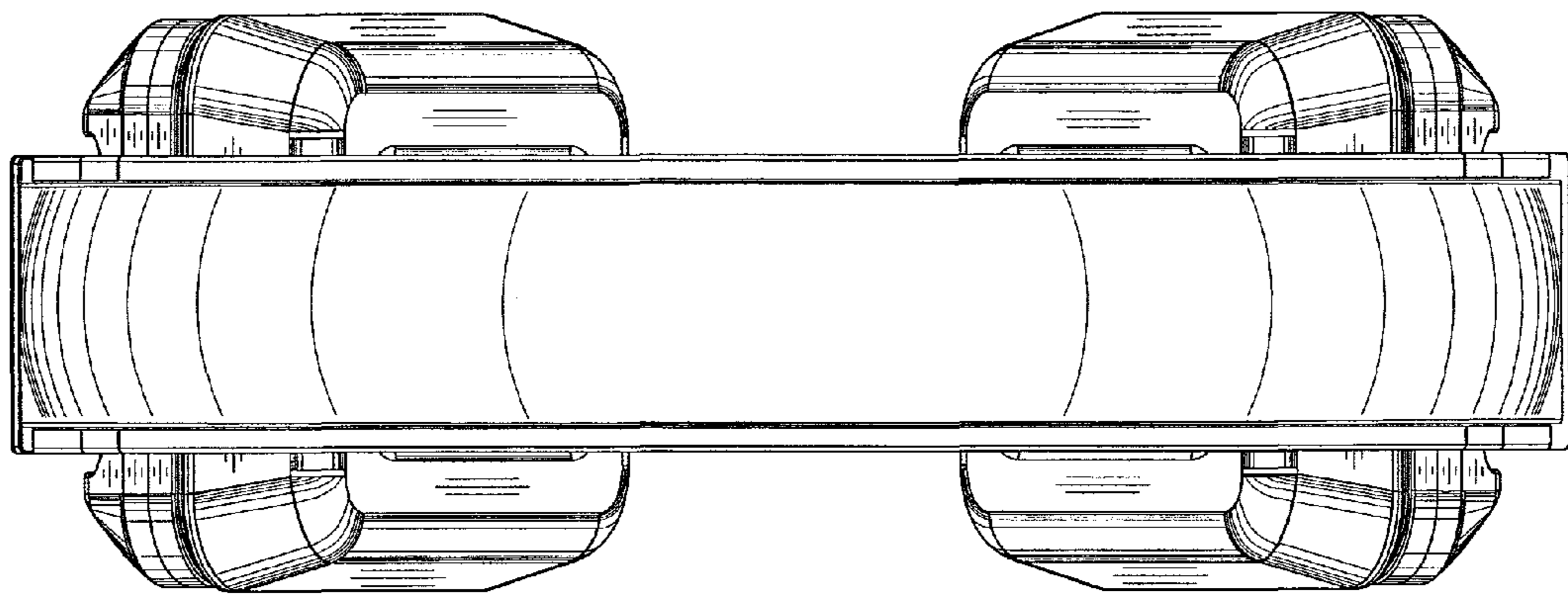


Figure 6

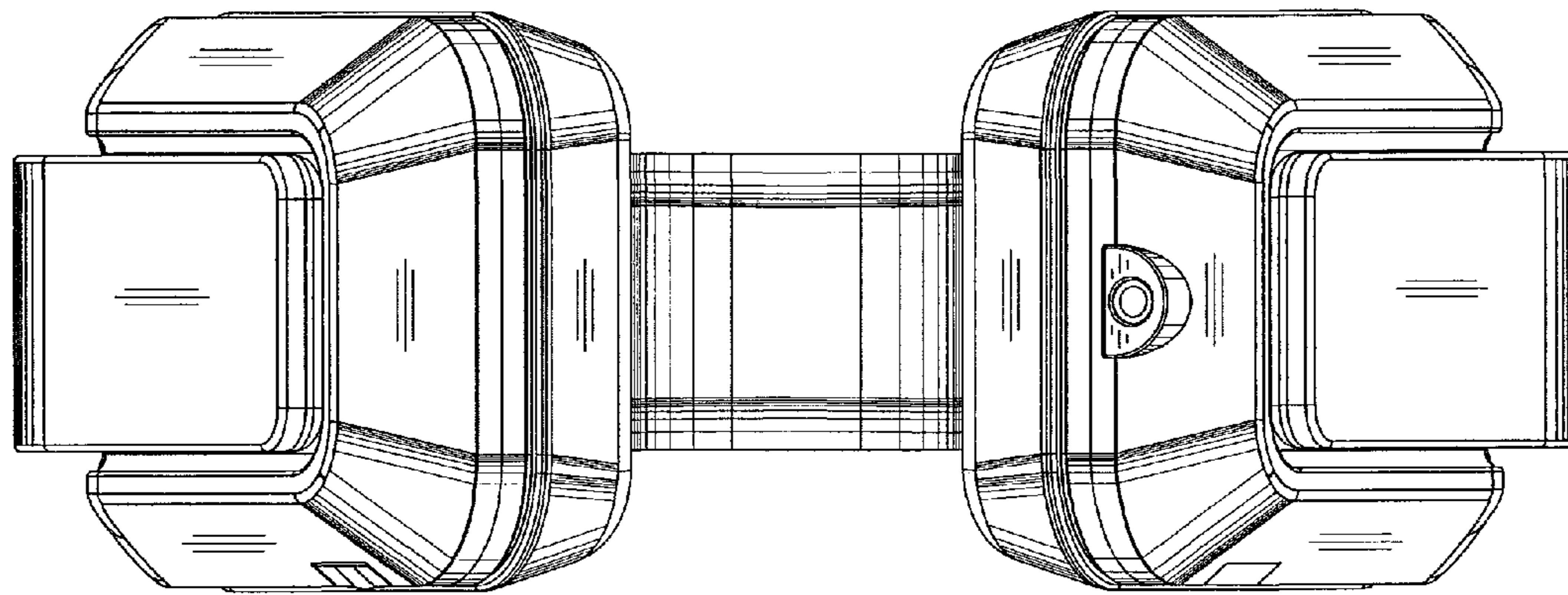


Figure 7

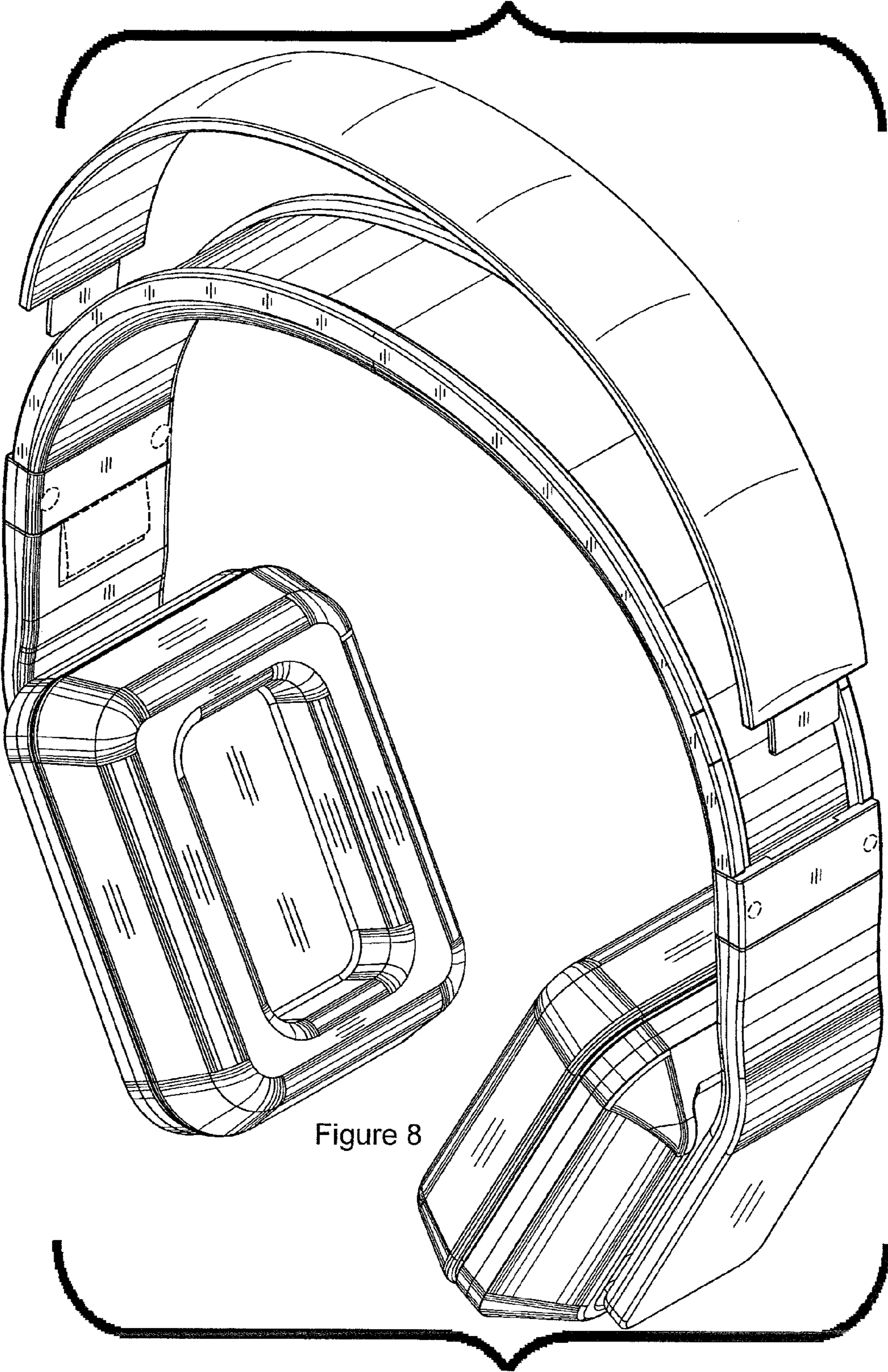


Figure 8