



US00D666991S

(12) **United States Design Patent**
Lee et al.

(10) **Patent No.:** **US D666,991 S**
(45) **Date of Patent:** **** Sep. 11, 2012**

(54) **SET OF HEADPHONES**

(75) Inventors: **Noel Lee**, Las Vegas, NV (US);
Kendrew Lee, Tsing Yi (HK); **Jacky Hsuing**, San Jose, CA (US)

(73) Assignee: **Monster Cable Products, Inc.**,
Brisbane, CA (US)

(**) Term: **14 Years**

(21) Appl. No.: **29/382,650**

(22) Filed: **Jan. 5, 2011**

(51) **LOC (9) Cl.** **14-01**

(52) **U.S. Cl.** **D14/205**

(58) **Field of Classification Search** D14/205,
D14/206, 223; 181/129, 130, 135; 379/430,
379/431, 433.02; 381/380, 381; 455/90.3,
455/575.2; D29/112; 2/209

See application file for complete search history.

(56) **References Cited**

U.S. PATENT DOCUMENTS

D263,043	S	*	2/1982	Petrie	D14/205
4,821,318	A	*	4/1989	Wu	379/430
5,113,428	A	*	5/1992	Fitzgerald	455/575.2
D340,033	S	*	10/1993	Okumura et al.	D14/192
D345,162	S	*	3/1994	Yamatogi	D14/205
D346,380	S	*	4/1994	Fitzgerald	D14/138 R

(Continued)

Primary Examiner — Paula Greene

(74) *Attorney, Agent, or Firm* — LaRiviere, Grubman & Payne, LLP

(57) **CLAIM**

We claim the ornamental design for a set of headphones, as shown and described.

DESCRIPTION

FIG. 1A is a perspective right side view of a first embodiment of a set of headphones;

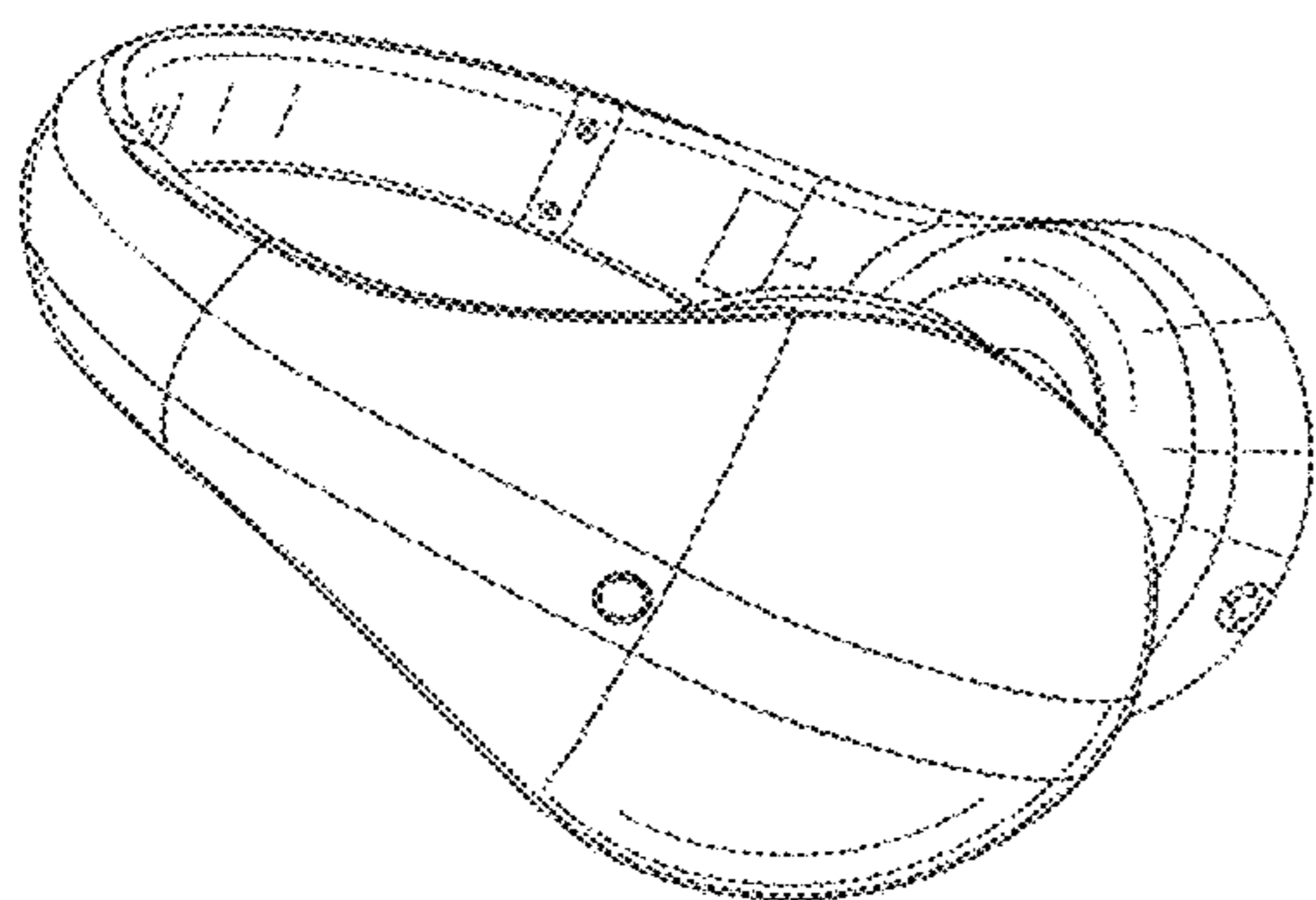


FIG. 1B is a perspective left side view of the first embodiment of a set of headphones;

FIG. 2 is a top view of the first embodiment of the set of headphones;

FIG. 3 is a bottom view of the first embodiment of the set of headphones;

FIG. 4 is a front view of the first embodiment of the set of headphones;

FIG. 5 is a right side view of the first embodiment of the set of headphones;

FIG. 6 is a left side view of the first embodiment of the set of headphones;

FIG. 7 is a perspective right side view of a second embodiment of a set of headphones, the only difference to FIG. 1A being the broken lines;

FIG. 8 is a perspective left side view of the second embodiment of a set of headphones;

FIG. 9A is a perspective right side view of a third embodiment of a set of headphones with stitching on each earcup;

FIG. 9B is a perspective left side view of the third embodiment of a set of headphones;

FIG. 10 is a top view of the third embodiment of the set of headphones;

FIG. 11 is a bottom view of the third embodiment of the set of headphones;

FIG. 12 is a front view of the third embodiment of the set of headphones;

FIG. 13 is a back view of the third embodiment of the set of headphones;

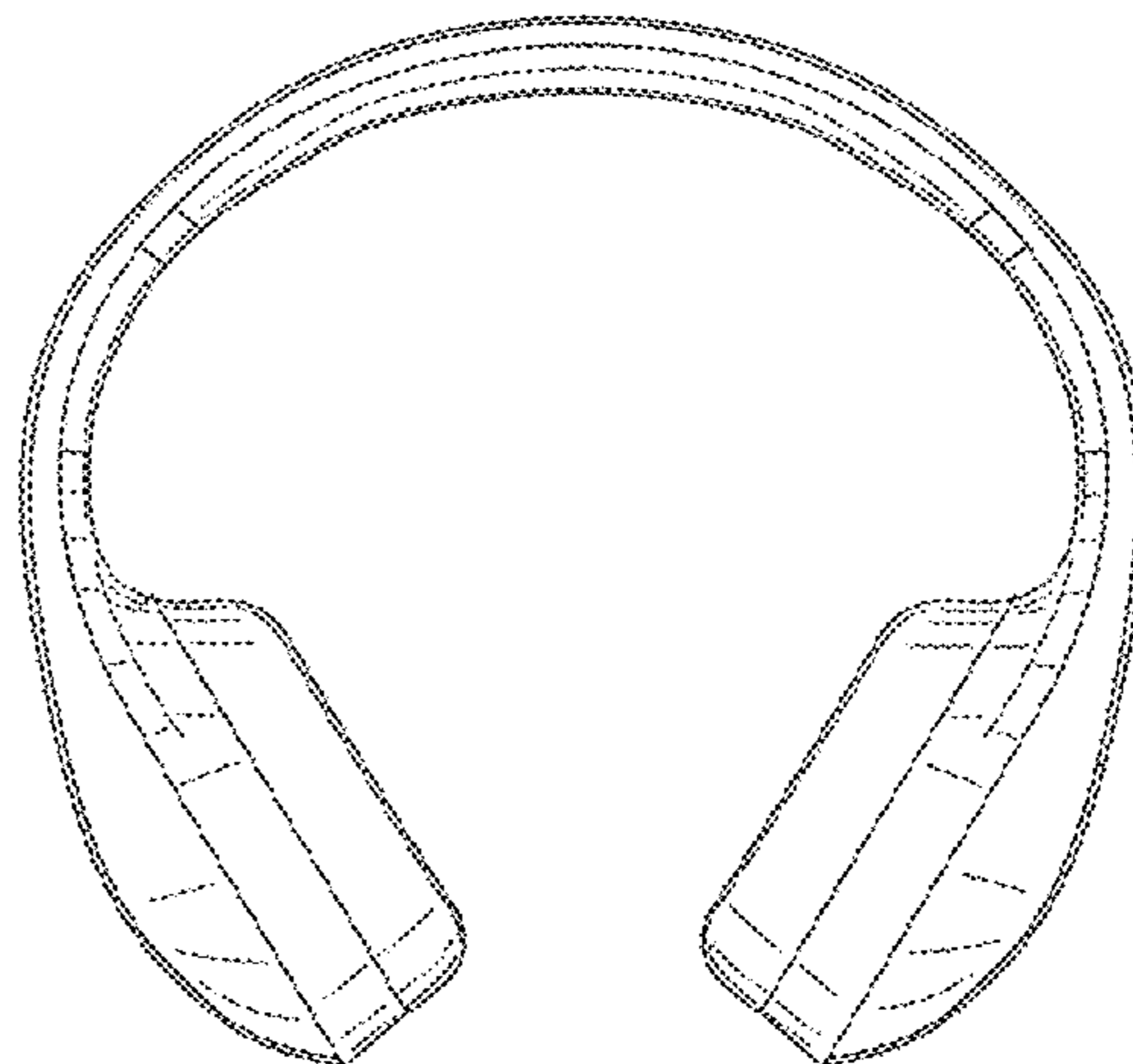
FIG. 14 is a right side view of the third embodiment of the set of headphones;

FIG. 15 is a left side view of the third embodiment of the set of headphones;

FIG. 16 is a perspective right side view of a fourth embodiment of a set of headphones with stitching on each earcup, the only difference to FIG. 9A being the broken lines; and,

FIG. 17 is a perspective left side view of the fourth embodiment of a set of headphones.

1 Claim, 15 Drawing Sheets



US D666,991 S

Page 2

U.S. PATENT DOCUMENTS

D358,389 S *	5/1995	Isono	D14/205	D585,870 S *	2/2009	Zheng et al.	D14/205
D386,181 S *	11/1997	Fisher	D14/205	D604,269 S *	11/2009	Choe	D14/205
6,888,950 B2 *	5/2005	Siskin et al.	381/378	D617,769 S *	6/2010	Birger	D14/205
D512,981 S *	12/2005	Jacobson et al.	D14/205	D638,397 S *	5/2011	McManigal	D14/205
D540,301 S *	4/2007	Obata	D14/205	D652,405 S *	1/2012	Lee et al.	D14/205
D541,257 S *	4/2007	Thursfield	D14/205	D652,406 S *	1/2012	Lee et al.	D14/205
D549,215 S *	8/2007	Lee	D14/206	D656,480 S *	3/2012	McManigal et al.	D14/205
D559,831 S *	1/2008	Lee	D14/205	D657,344 S *	4/2012	Brunner et al.	D14/205
D579,000 S *	10/2008	Rath	D14/205				

* cited by examiner

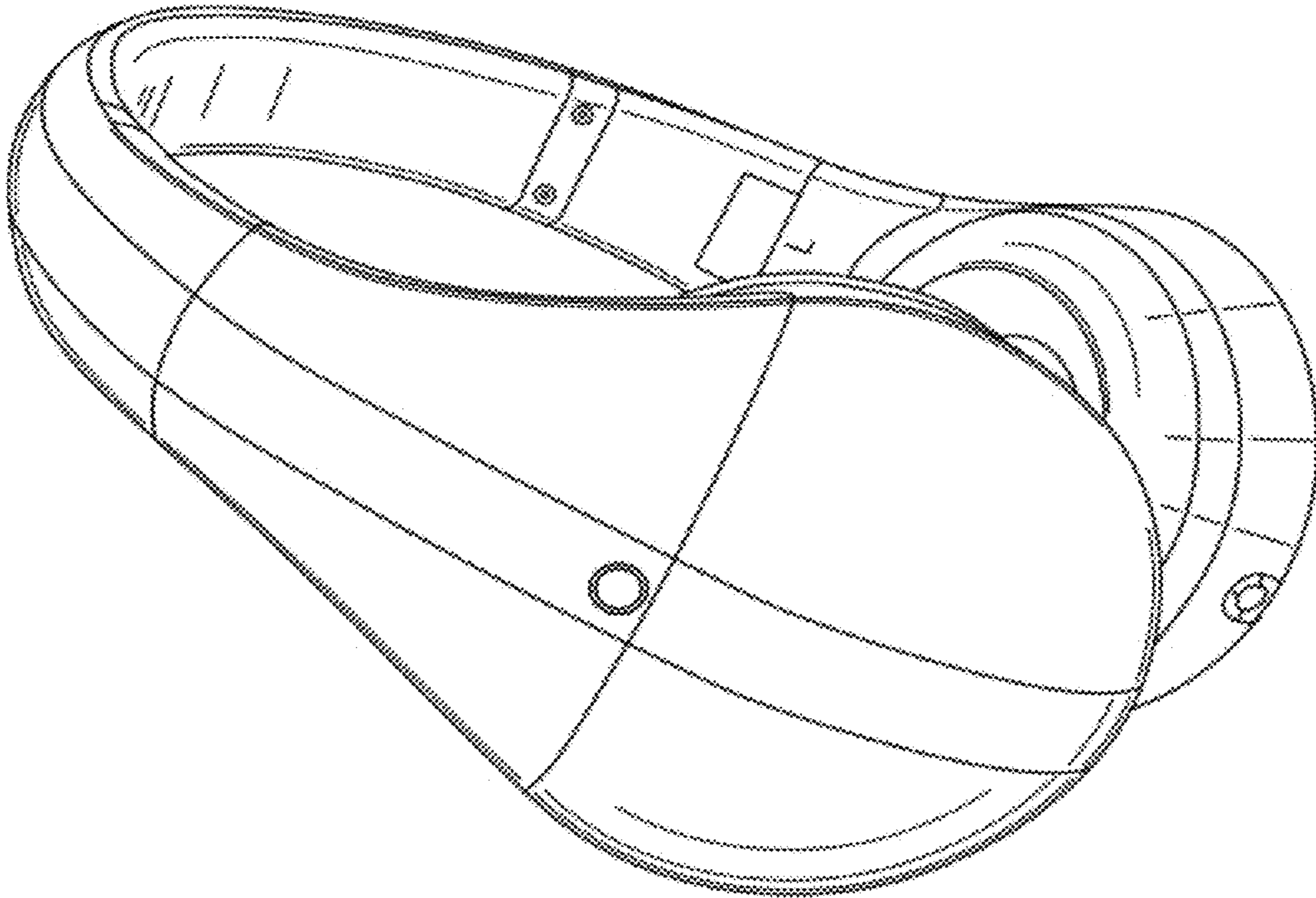


FIG. 1A

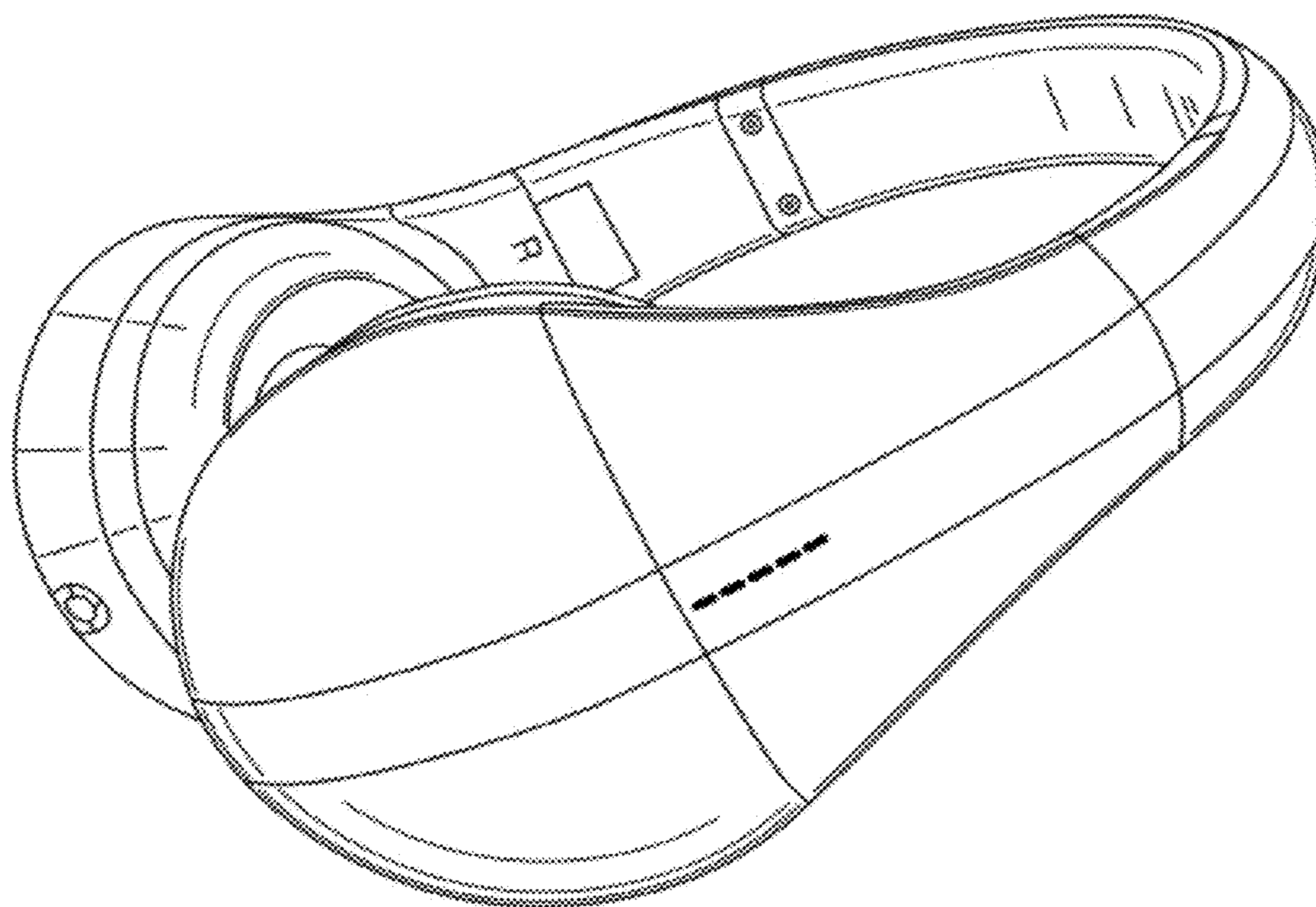


FIG. 1B

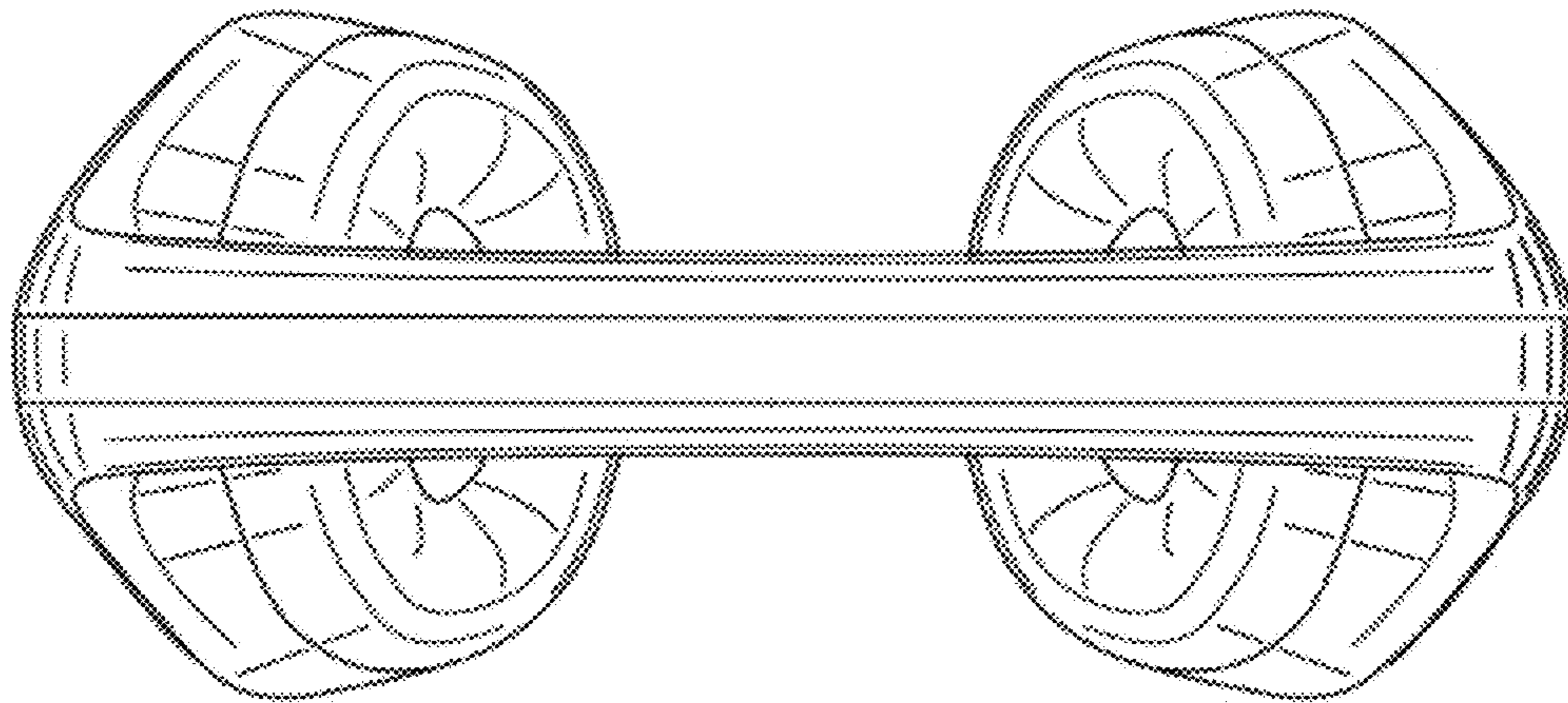


FIG. 2

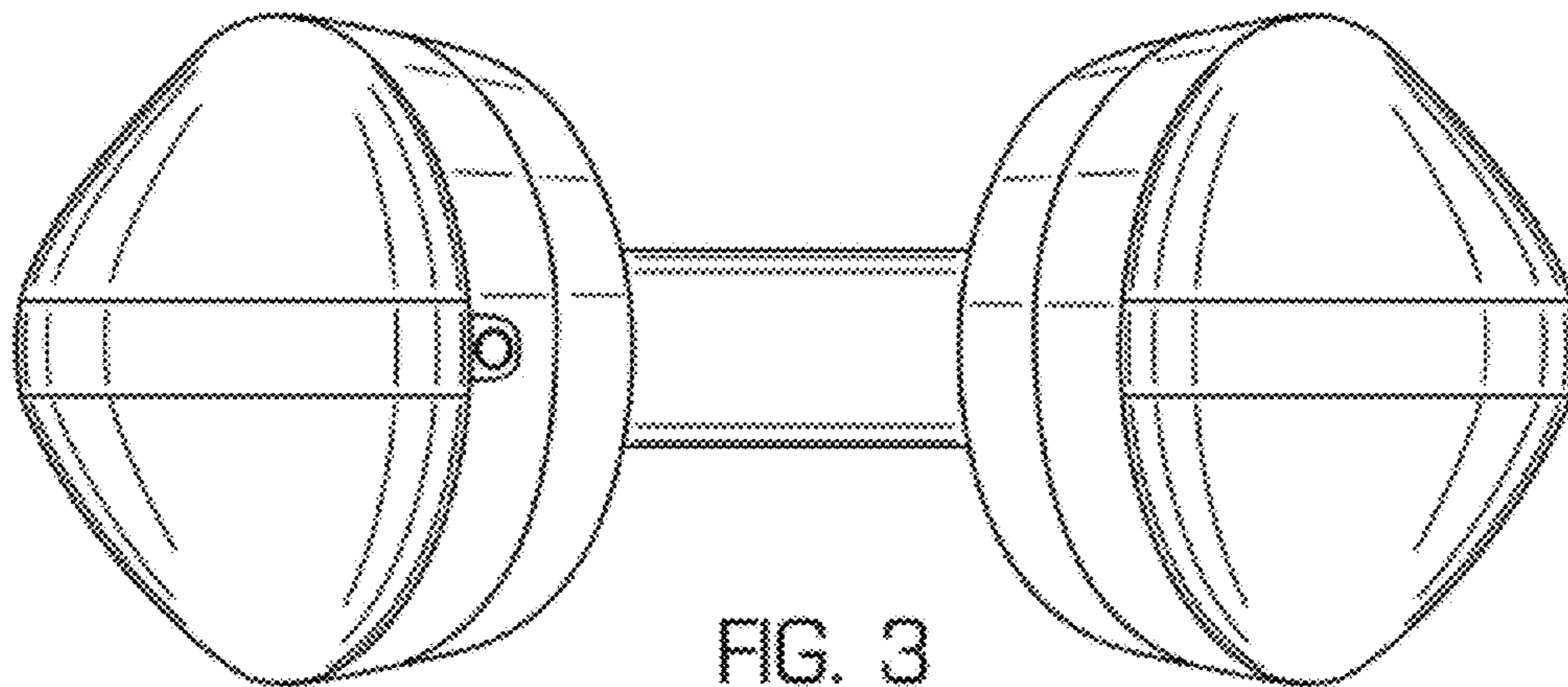


FIG. 3



FIG. 4

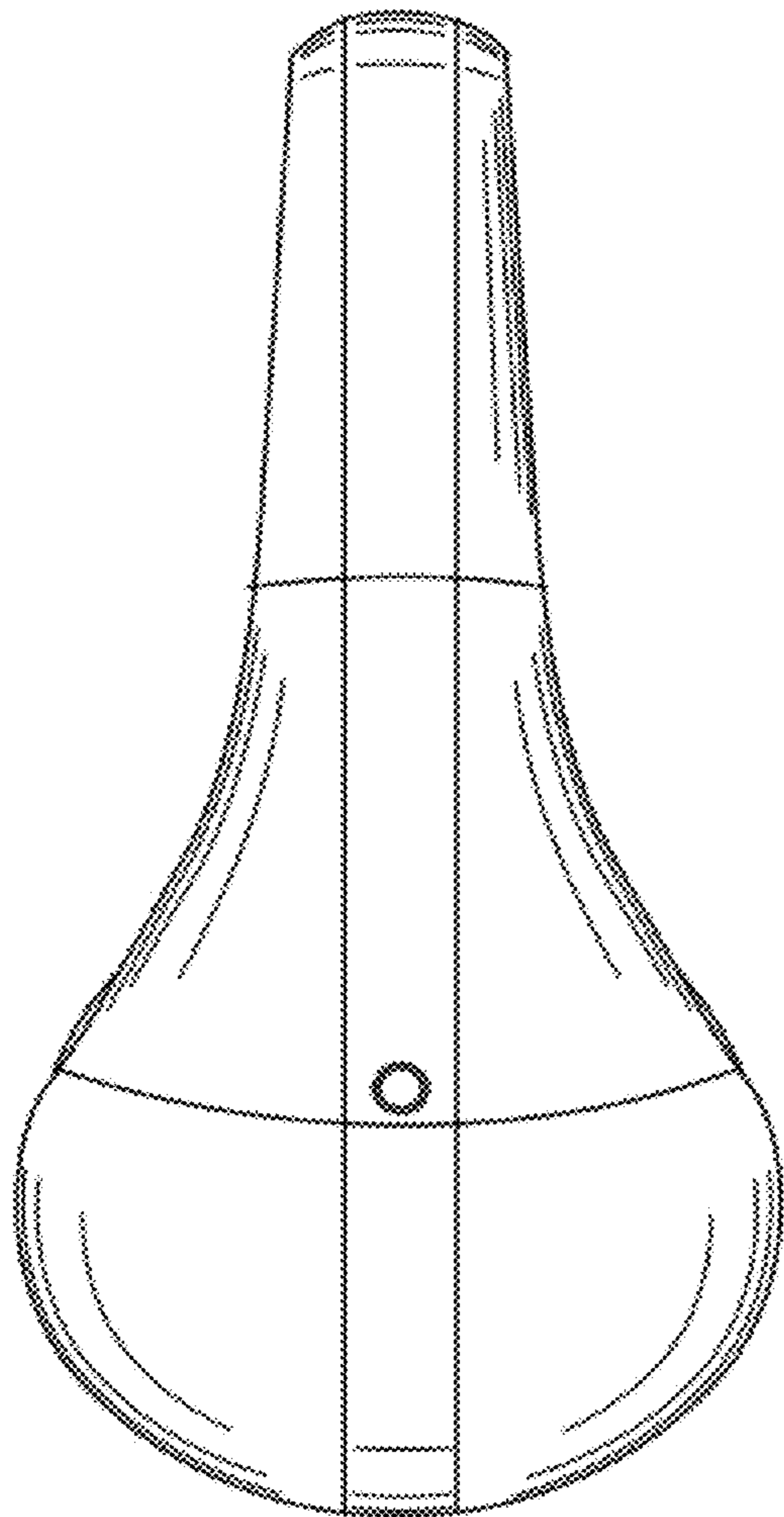


FIG. 5

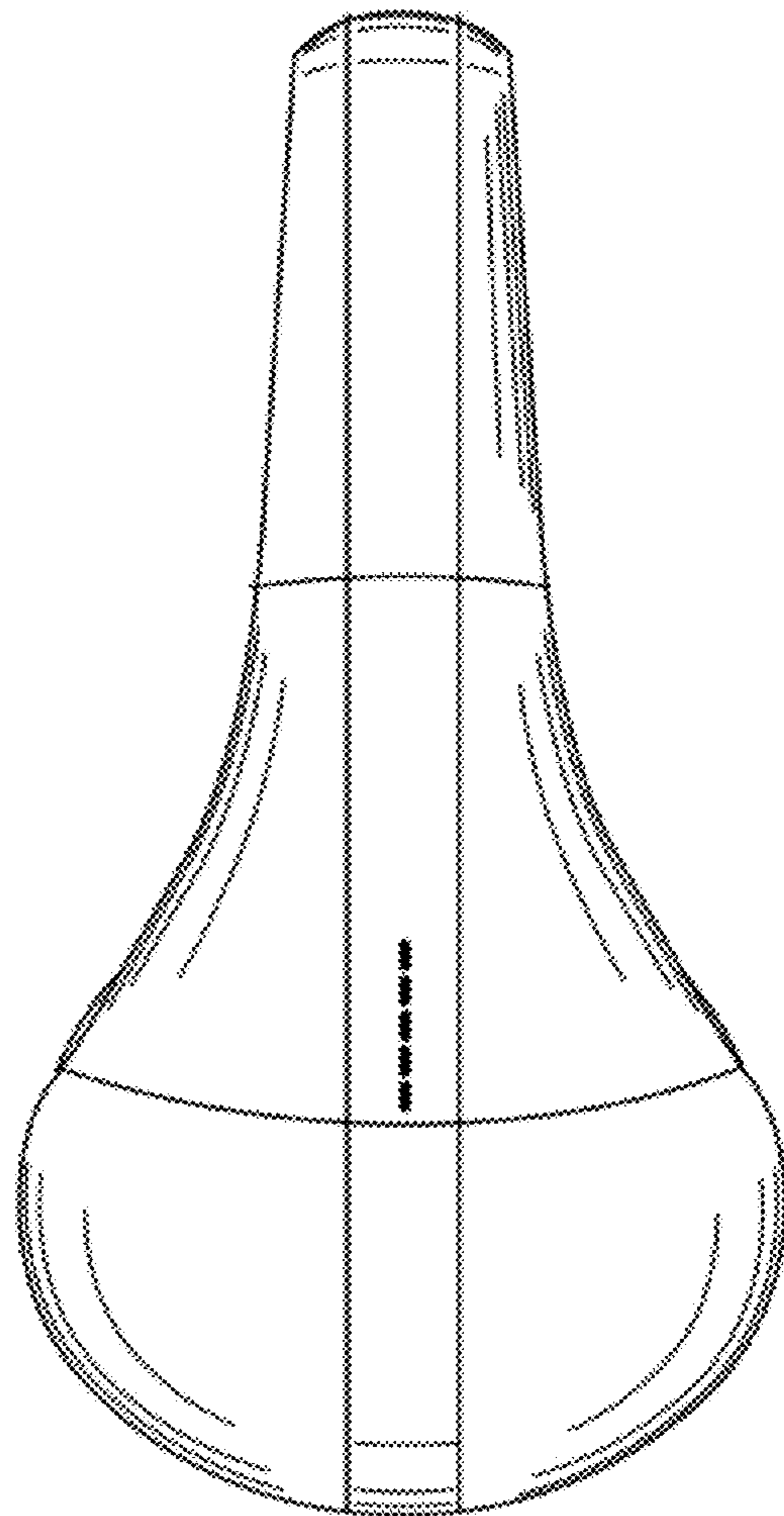


FIG. 6

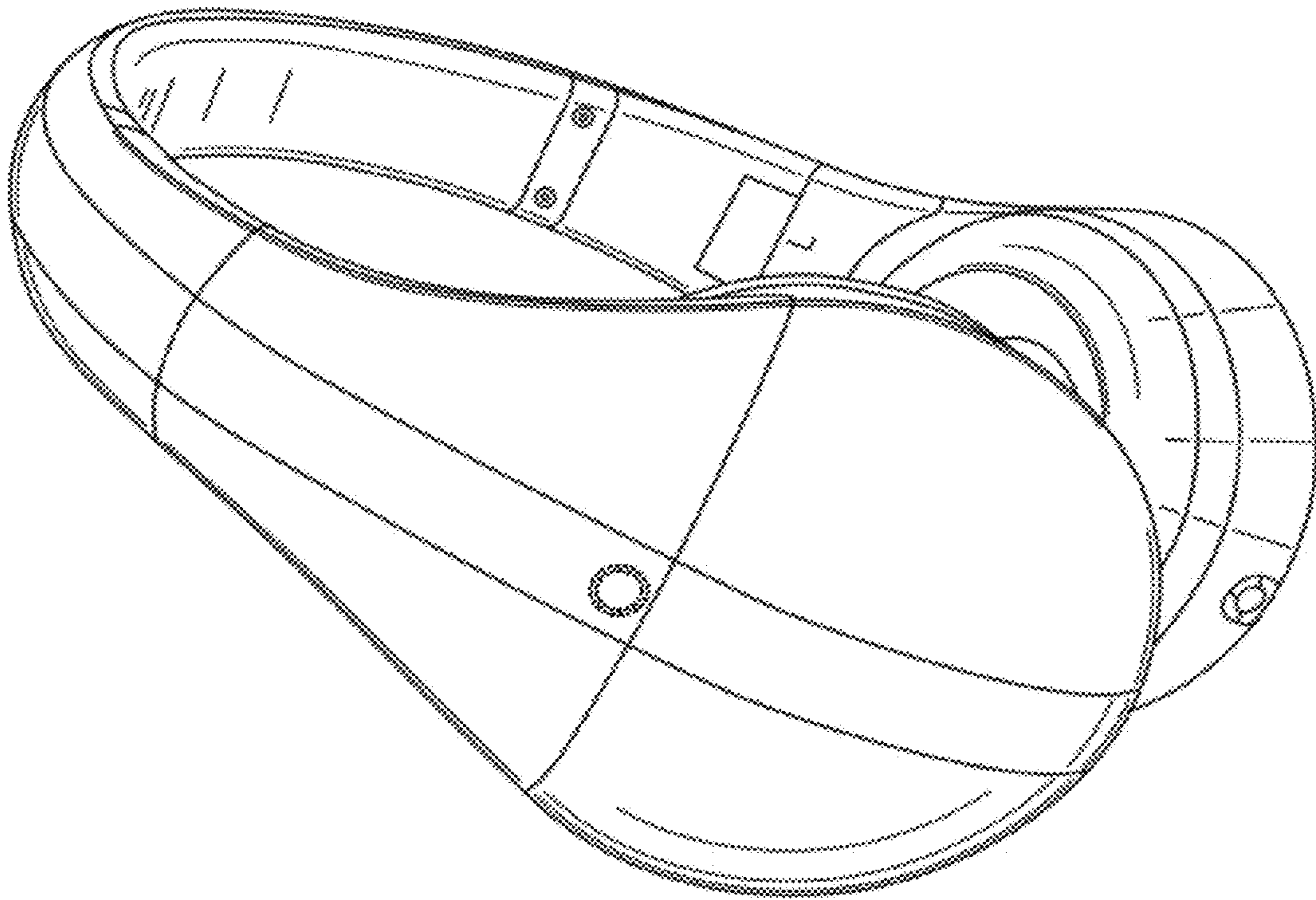


FIG. 7

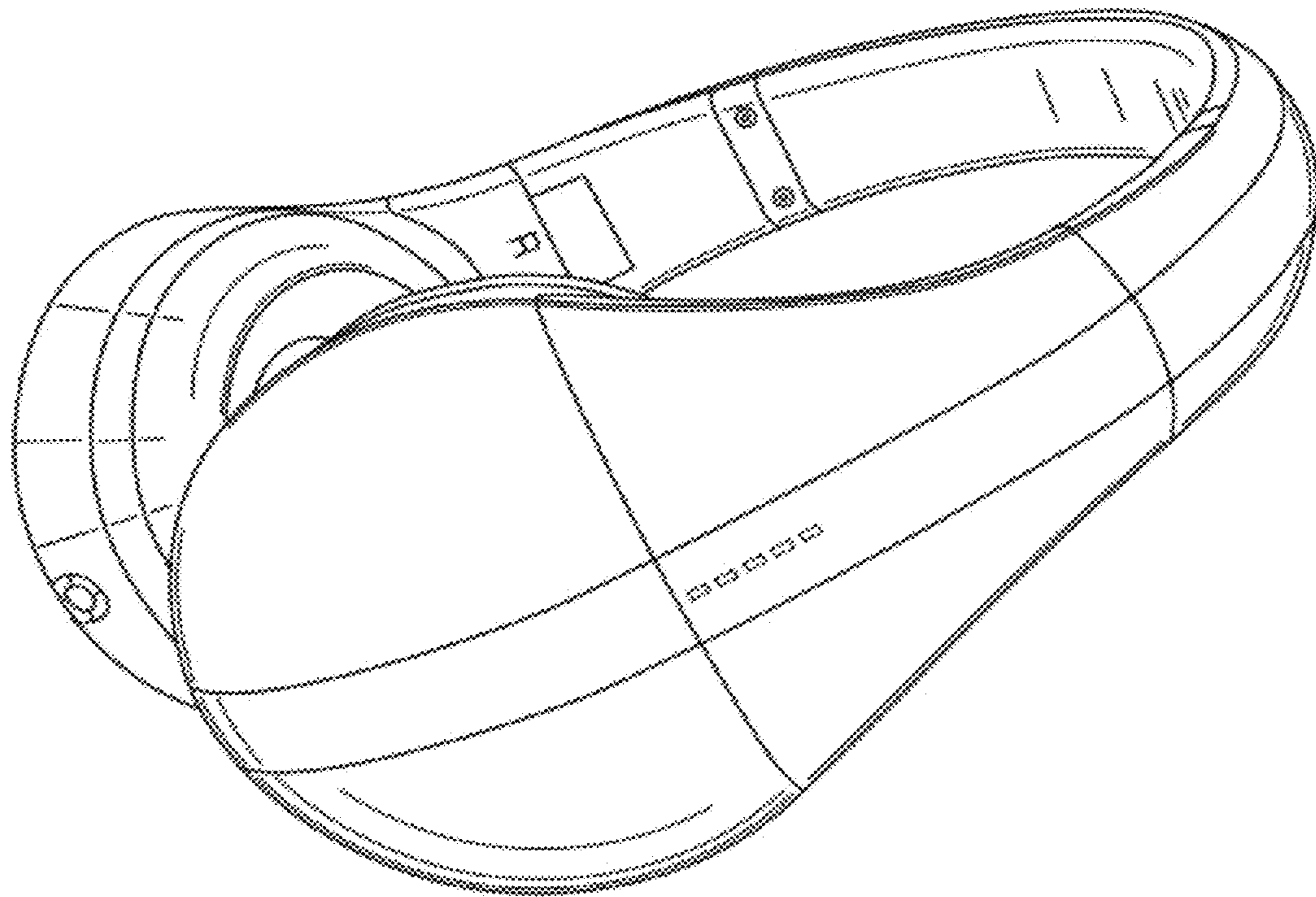


FIG. 8

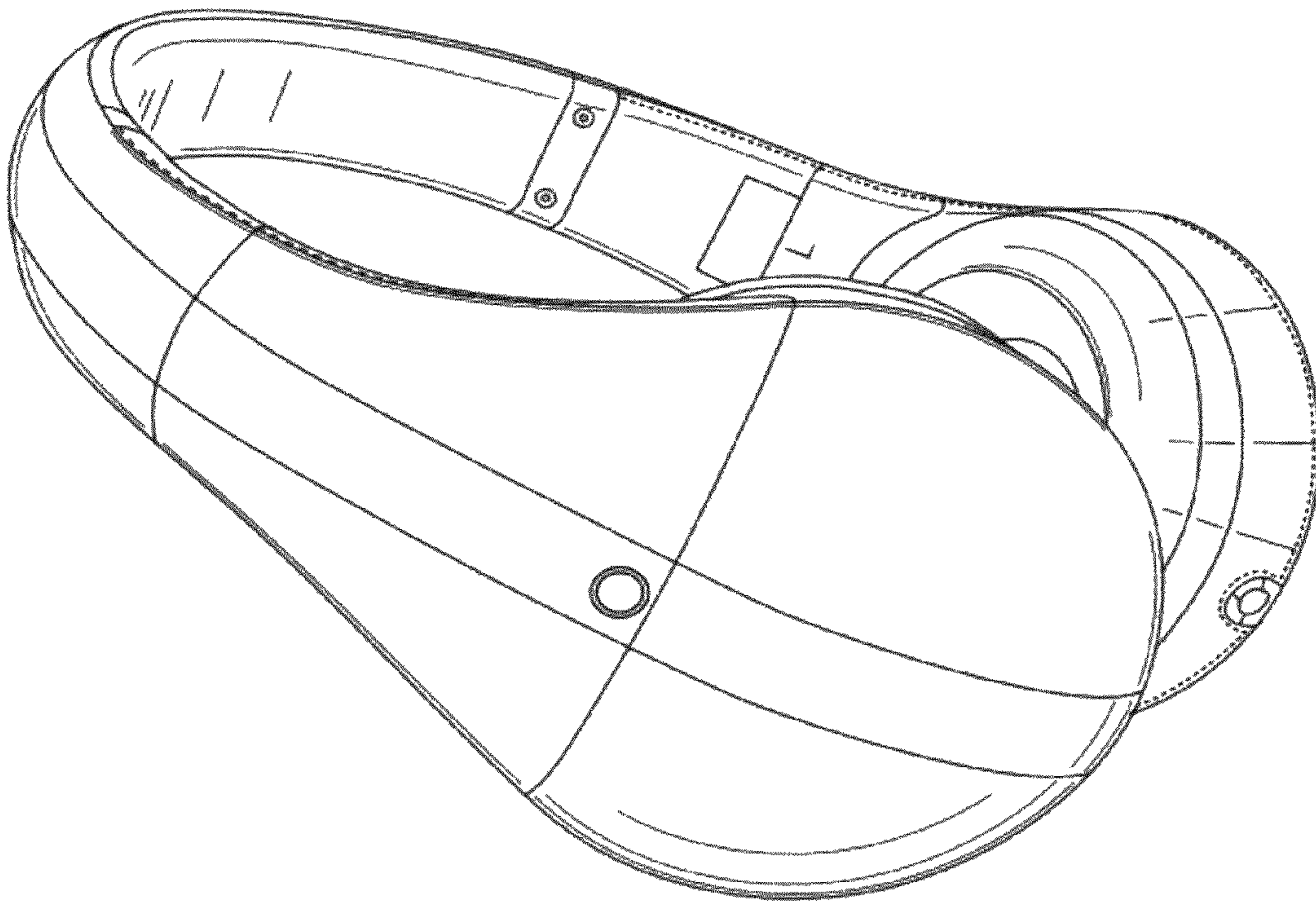


FIG. 9A

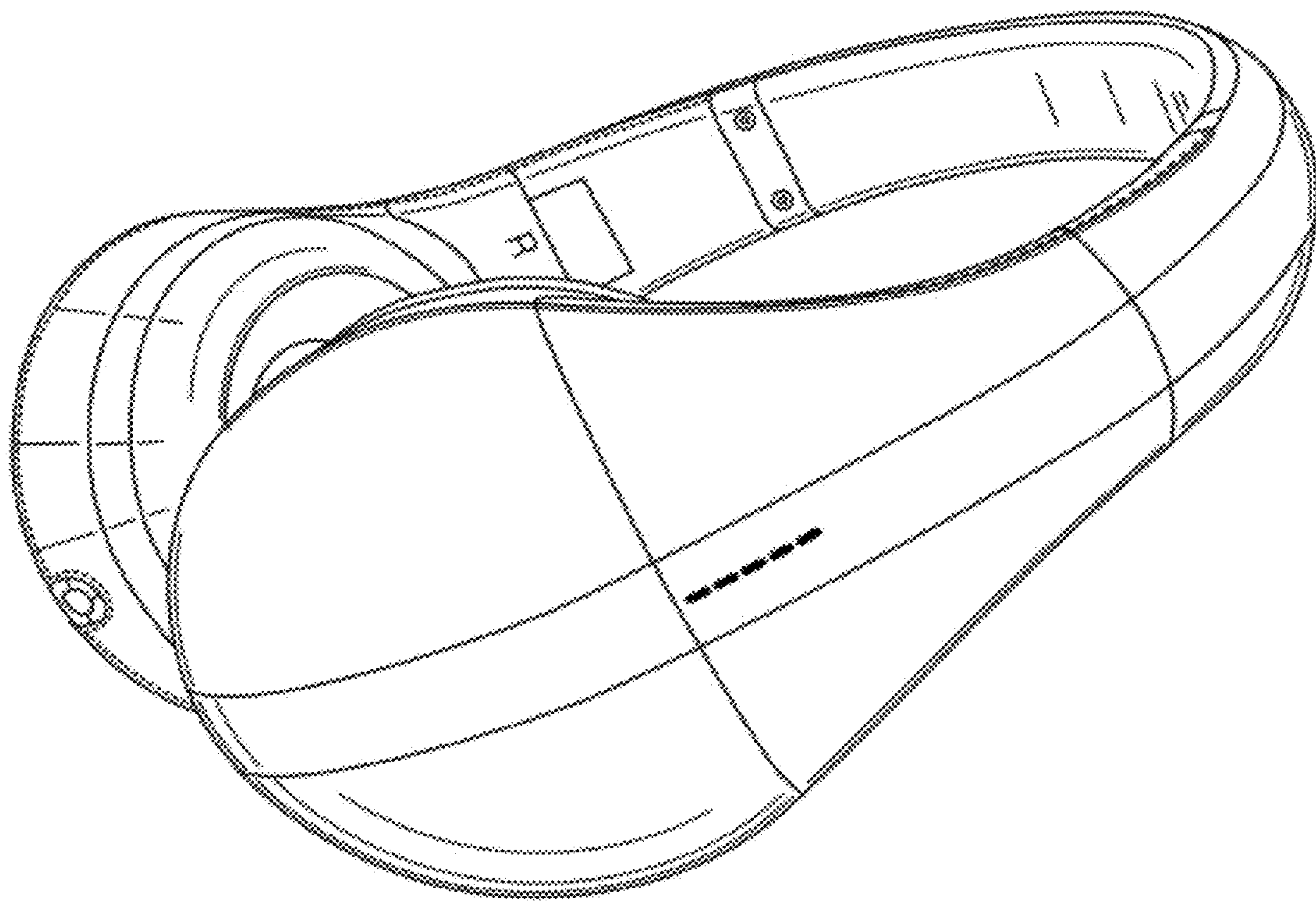


FIG. 9B

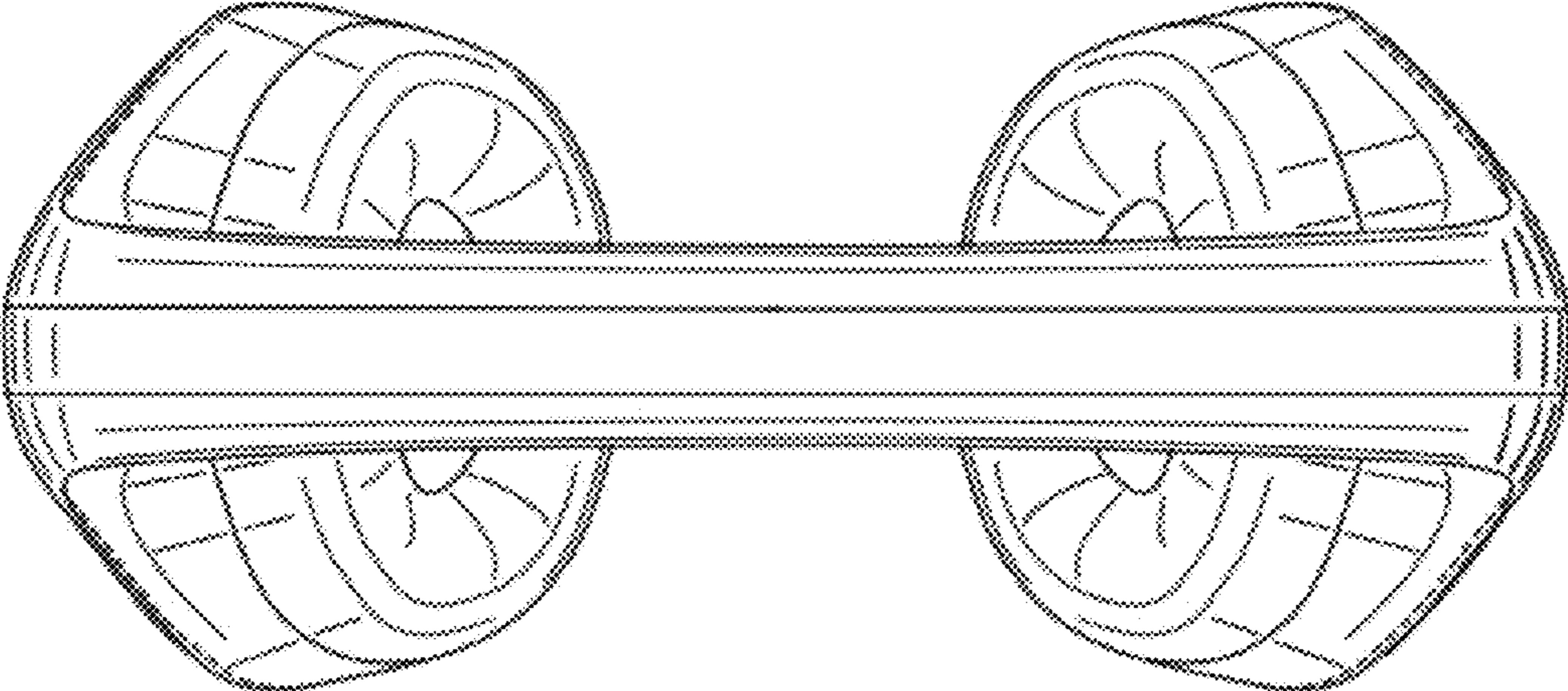


FIG. 10

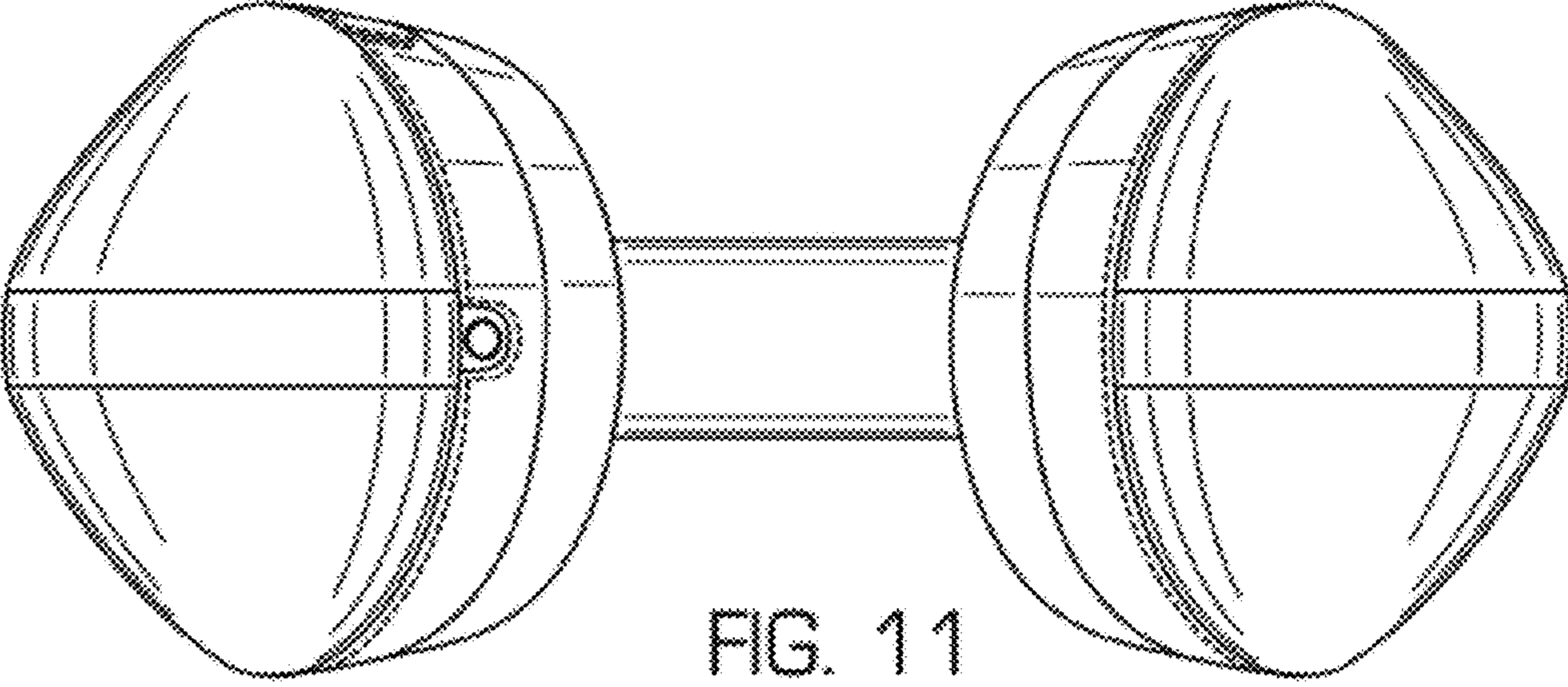


FIG. 11



FIG. 12



FIG. 13

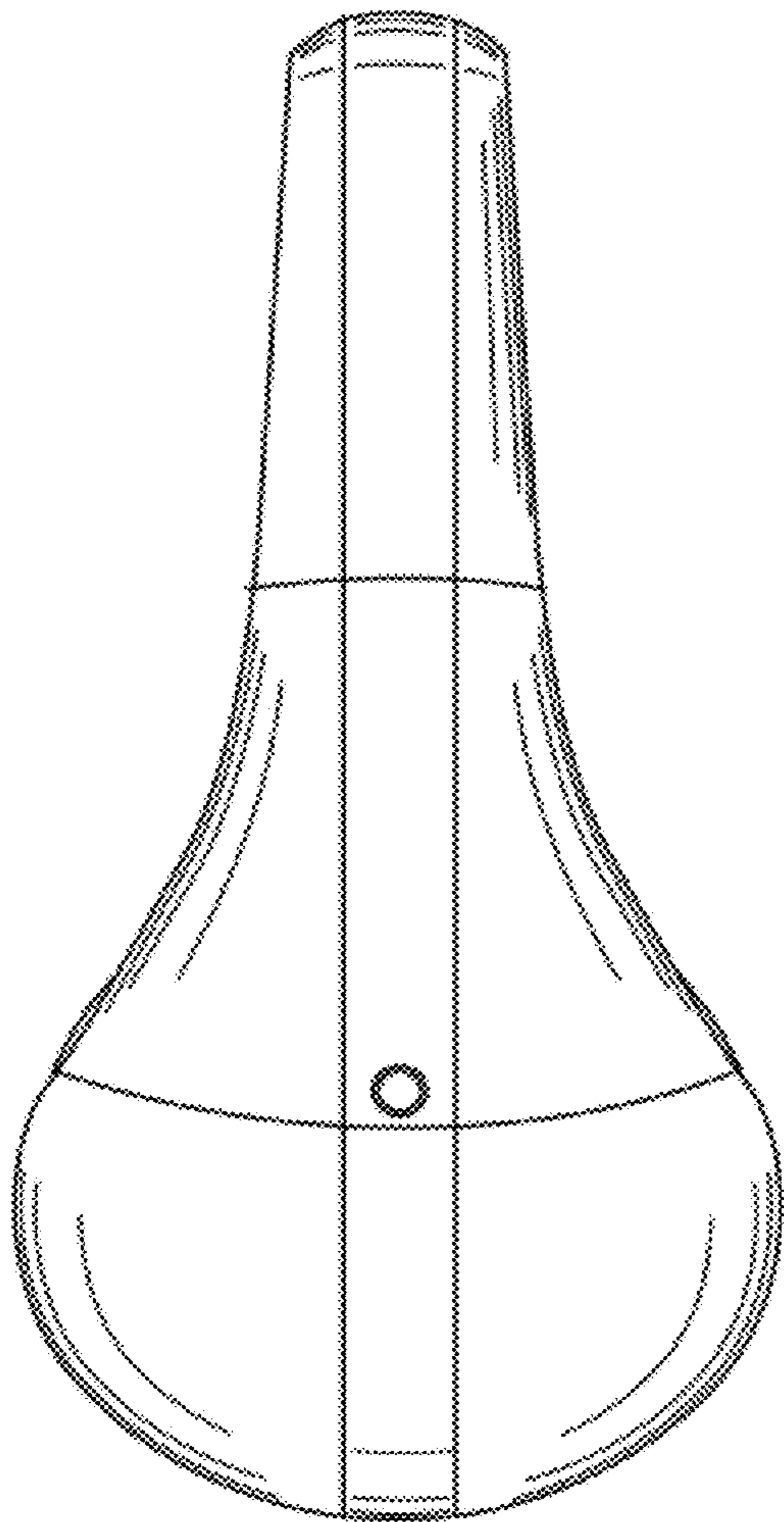


FIG. 14

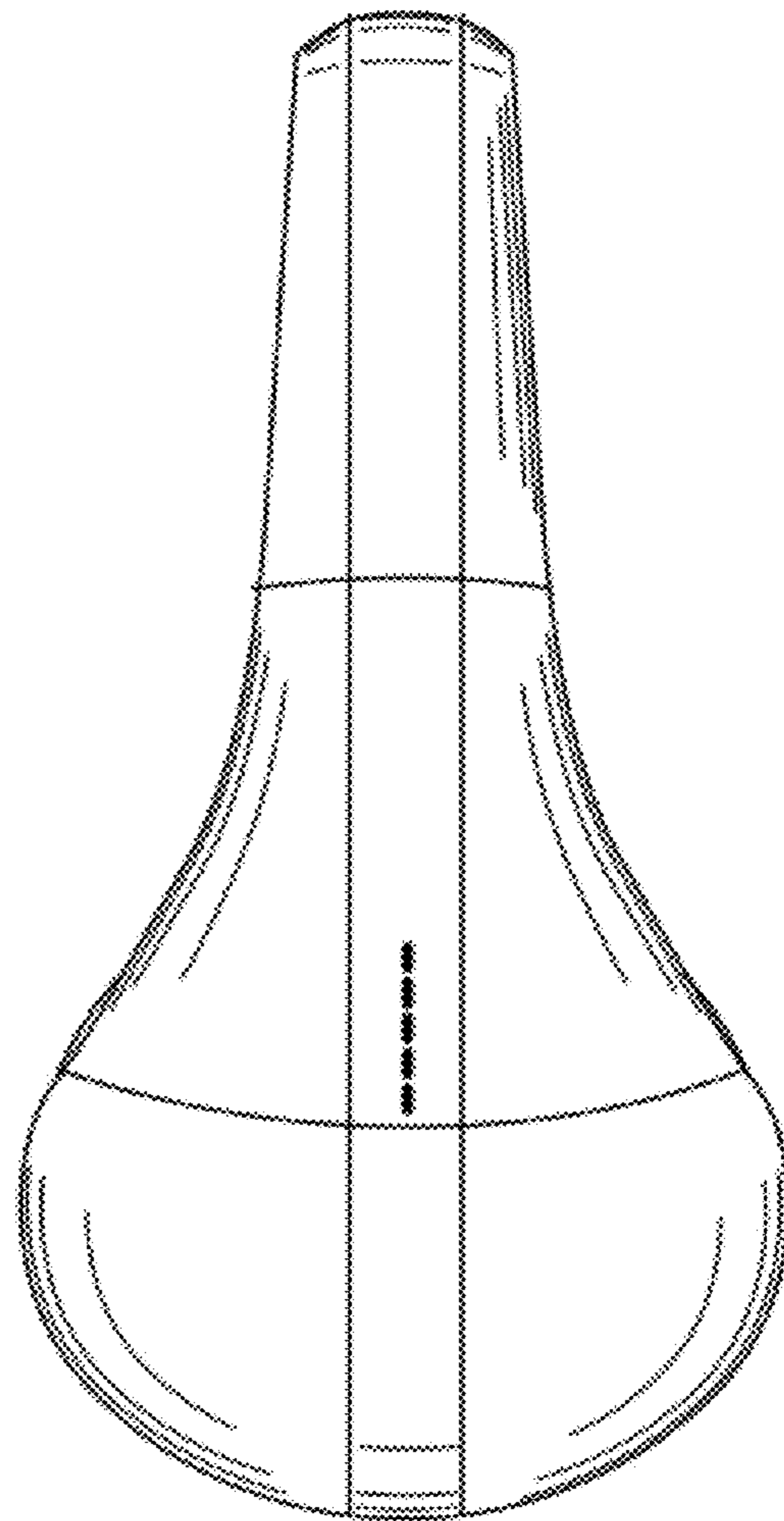


FIG. 15

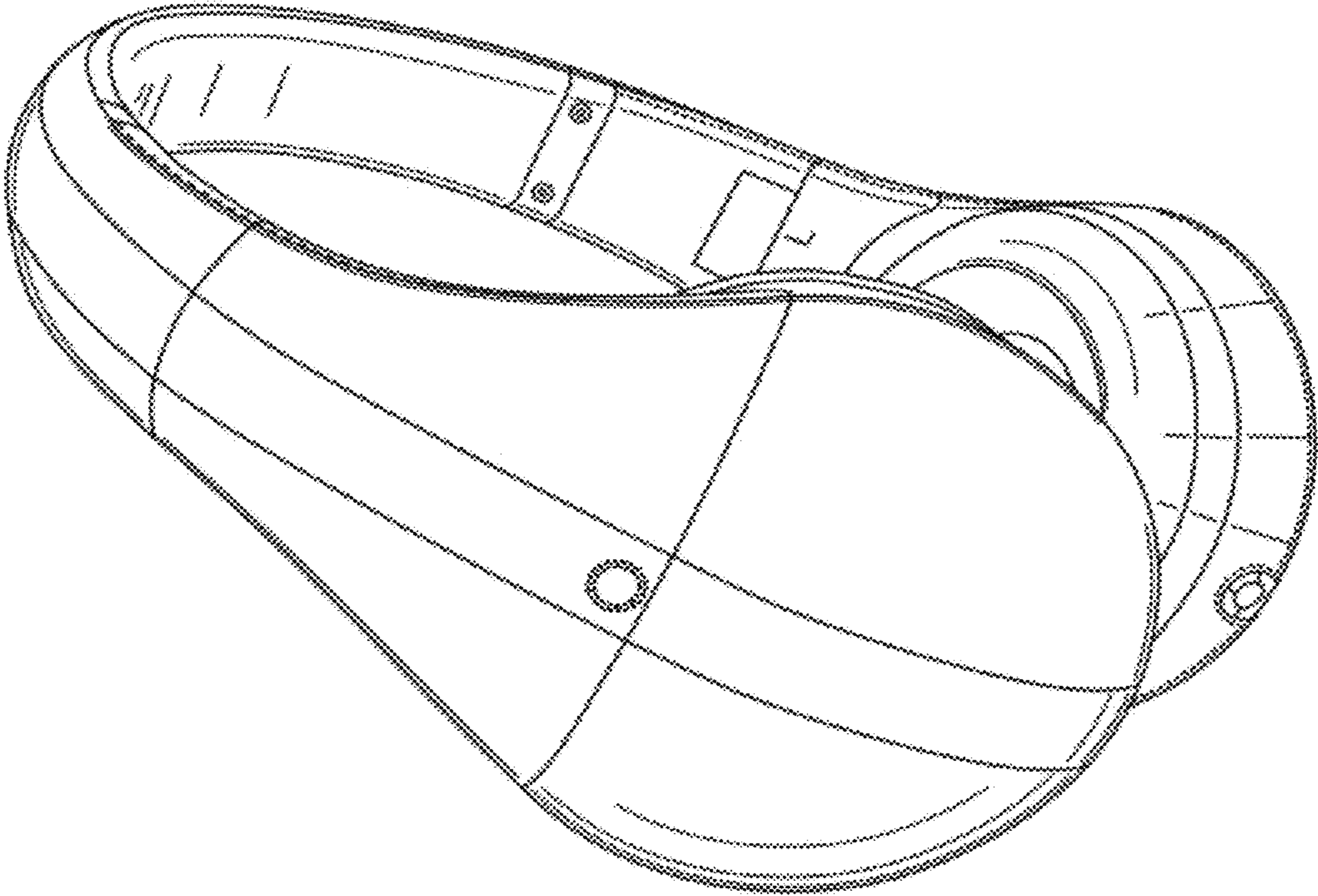


FIG. 16

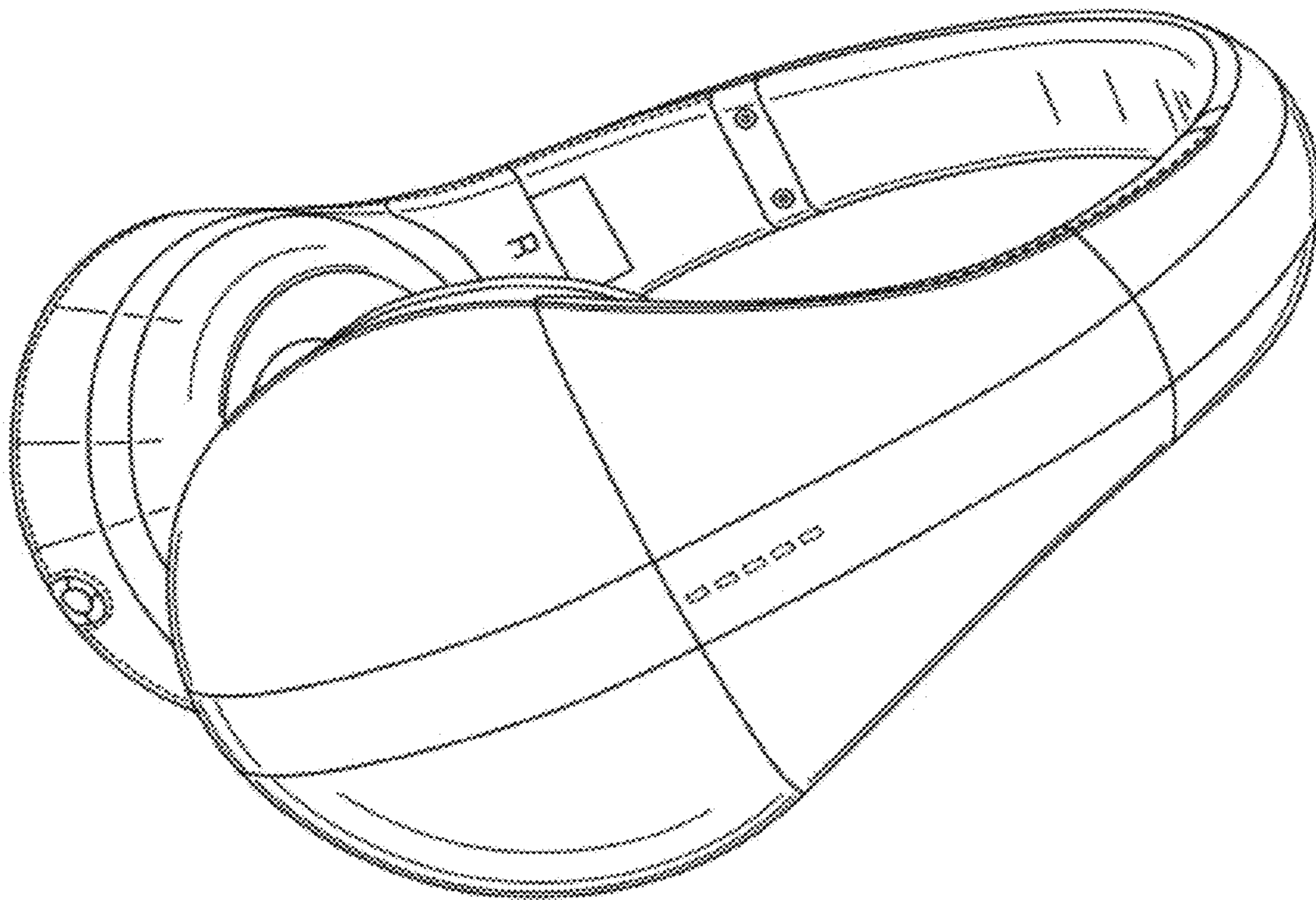


FIG. 17