

US00D666987S

(12) **United States Design Patent**
Park et al.

(10) **Patent No.:** **US D666,987 S**
(45) **Date of Patent:** **** Sep. 11, 2012**

(54) **COMMUNICATION DEVICE**

Primary Examiner — Jeffrey D Asch

(75) Inventors: **Cheol Woo Park**, Chicago, IL (US);
Shane Lee, Beijing (CN); **Hai-Bo Luo**,
Beijing (CN)

(57) **CLAIM**
The ornamental design for a communication device, as shown
and described.

(73) Assignee: **Motorola Mobility LLC**, Libertyville,
IL (US)

(**) Term: **14 Years**

DESCRIPTION

(21) Appl. No.: **29/408,124**

(22) Filed: **Dec. 7, 2011**

(51) **LOC (9) Cl.** **14-03**

(52) **U.S. Cl.** **D14/138 AB**

(58) **Field of Classification Search** D14/138 AB,
D14/138 AA, 138 R, 138 C, 496, 346, 203.1,
D14/203.3, 203.4, 203.7, 147, 148, 218, 138 AD,
D14/138 AC; D21/517; 455/575.1, 556.2,
455/575.4, 575.3; 379/433.01, 433.04, 433.13;
D13/168

See application file for complete search history.

FIG. 1 is a front perspective view of a first embodiment of an ornamental design for a communication device;
FIG. 2 is a rear perspective view of the first embodiment thereof;
FIG. 3 is a front view of the first embodiment thereof;
FIG. 4 is a rear view of the first embodiment thereof;
FIG. 5 is a first side view of the first embodiment thereof;
FIG. 6 is a second side view of the first embodiment thereof;
FIG. 7 is a top view of the first embodiment thereof; and
FIG. 8 is a bottom view of the first embodiment thereof.
FIG. 9 is a front perspective view of a second embodiment of an ornamental design for a communication device;
FIG. 10 is a rear perspective view of the second embodiment thereof;
FIG. 11 is a front view of the second embodiment thereof;
FIG. 12 is a rear view of the second embodiment thereof;
FIG. 13 is a first side view of the second embodiment thereof;
FIG. 14 is a second side view of the second embodiment thereof;
FIG. 15 is a top view of the second embodiment thereof; and
FIG. 16 is a bottom view of the second embodiment thereof.
The broken lines shown in FIGS. 1-8 that are immediately adjacent to the shaded areas and define unshaded regions, represent the bounds of the first embodiment, while all other broken lines are directed to environment and are for illustrative purposes only; the broken lines form no part of the first embodiment.

(56) **References Cited**

U.S. PATENT DOCUMENTS

D540,769 S *	4/2007	Lee et al.	D14/138 AB
D551,642 S *	9/2007	Kim et al.	D14/138 AB
D552,065 S *	10/2007	Kim et al.	D14/138 AB
D563,376 S	3/2008	Arnholt et al.		
D573,569 S	7/2008	Arnholt et al.		

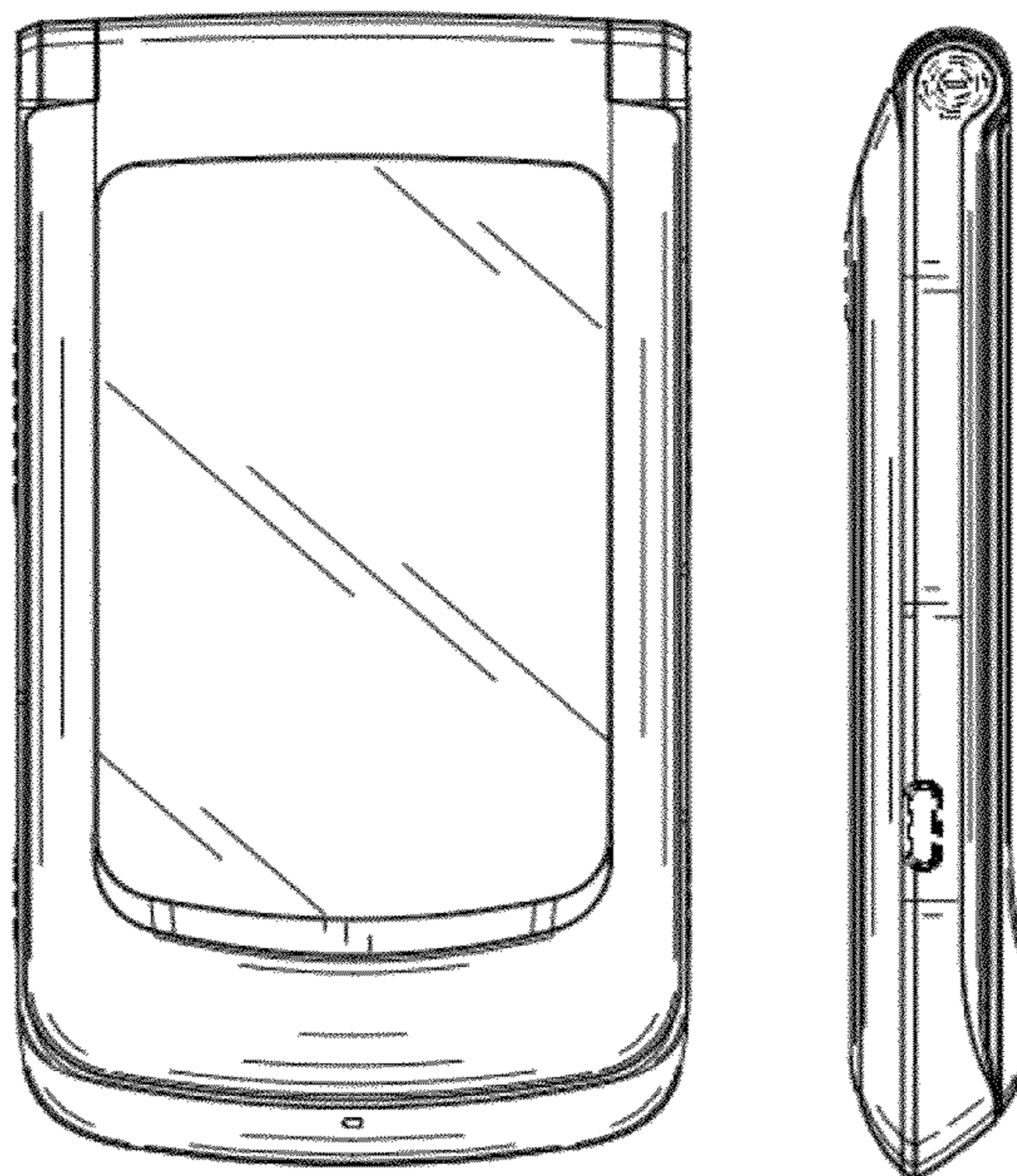
(Continued)

OTHER PUBLICATIONS

Motorola RAZR2 V8 telephone, announced May 2007, [online], [site visited Apr. 18, 2012]. Available from Internet, <URL: <http://www.gsmarena.com>>.*

(Continued)

1 Claim, 10 Drawing Sheets



US D666,987 S

Page 2

U.S. PATENT DOCUMENTS

D573,968 S * 7/2008 Chen et al. D14/138 AB
D579,893 S * 11/2008 Suk et al. D14/138 AB
D579,894 S * 11/2008 Yabe et al. D14/138 AB
D581,388 S * 11/2008 Stillerman D14/138 AB
D585,863 S * 2/2009 Nilsen et al. D14/138 AB
D588,092 S * 3/2009 Nilsen et al. D14/138 AB
D589,024 S * 3/2009 Yoo D14/138 AB
D593,521 S * 6/2009 Tan D14/138 AB
D597,990 S * 8/2009 Lee et al. D14/138 AB
D601,108 S * 9/2009 Boucquey et al. D14/138 AB
D602,896 S * 10/2009 Finney et al. D14/138 AB
D602,902 S * 10/2009 Jeon et al. D14/138 AB
D604,262 S * 11/2009 Lee D14/138 AB
D616,846 S * 6/2010 Byun et al. D14/138 AB
D627,323 S * 11/2010 Boucquey et al. D14/138 AB
D636,754 S * 4/2011 Veiga et al. D14/138 AB

D643,397 S * 8/2011 Ardinghi et al. D14/138 AB
D649,954 S * 12/2011 Baik et al. D14/138 AB
2006/0094482 A1* 5/2006 Takagi 455/575.3

OTHER PUBLICATIONS

Samsung G400 Soul telephone, announced Mar. 2008, [online], [site visited Apr. 18, 2012]. Available from Internet, <URL: <http://www.gsmarena.com>>.*

LG GB220 telephone, announced Feb. 2009, [online], [site visited Apr. 18, 2012]. Available from Internet, <URL: <http://www.gsmarena.com>>.*

ZTE F233 telephone, announced 2009, [online], [site visited Apr. 18, 2012]. Available from Internet, <URL: <http://www.gsmarena.com>>.*

Motorola EM28 telephone, announced Aug. 2008, [online], [site visited Apr. 18, 2012]. Available from Internet, <URL: <http://www.gsmarena.com>>.*

* cited by examiner

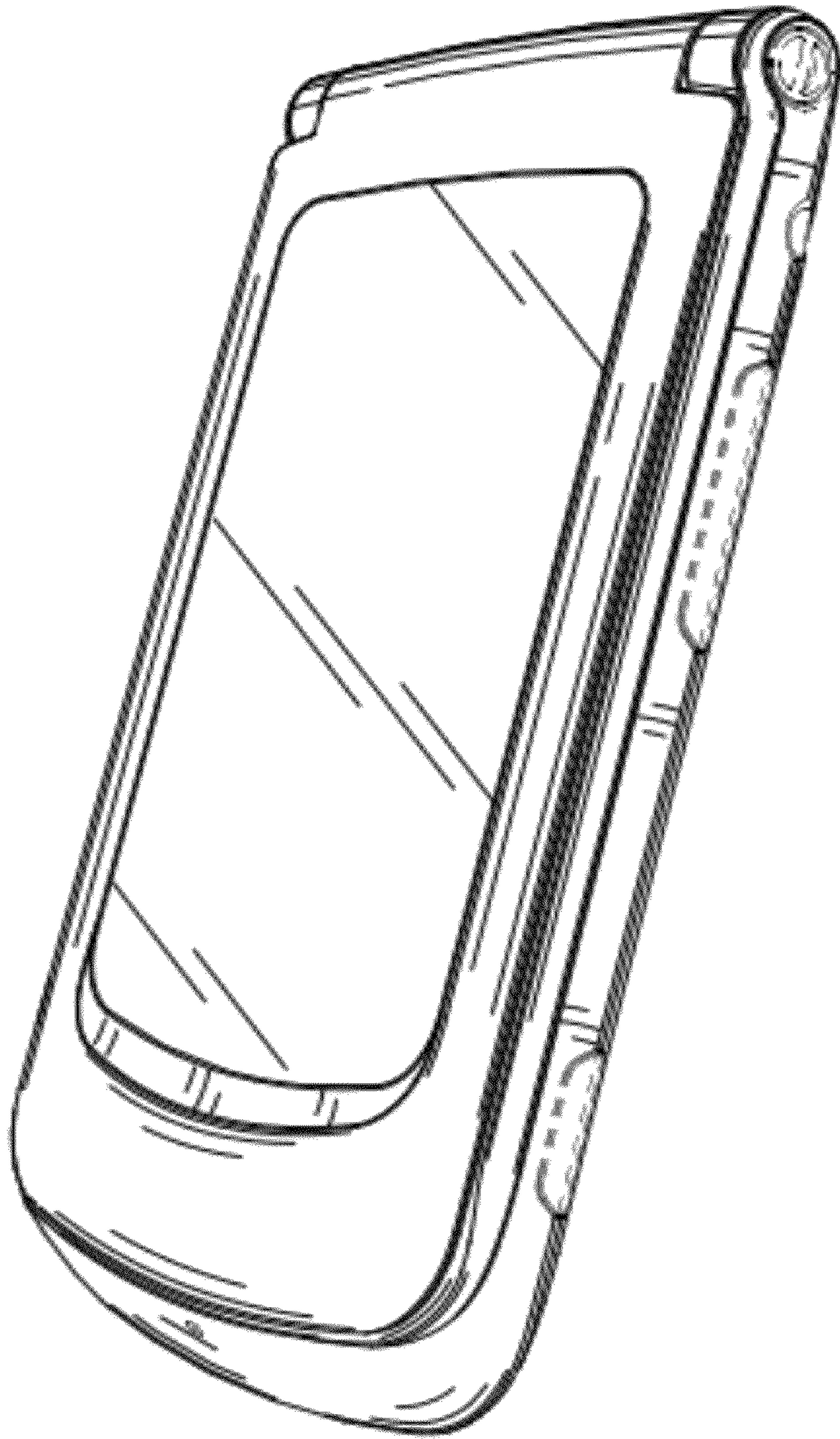


FIG. 1

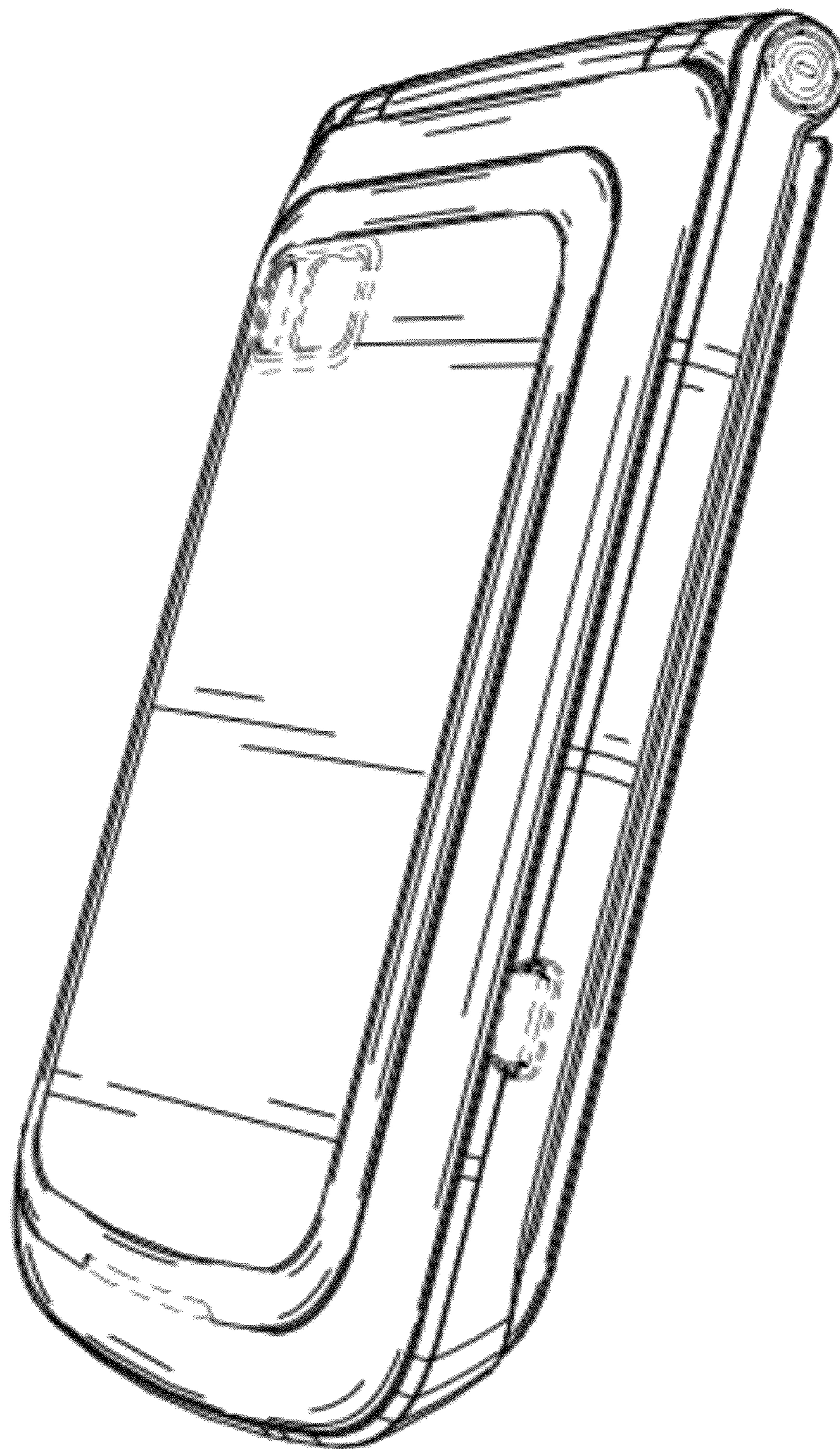


FIG. 2

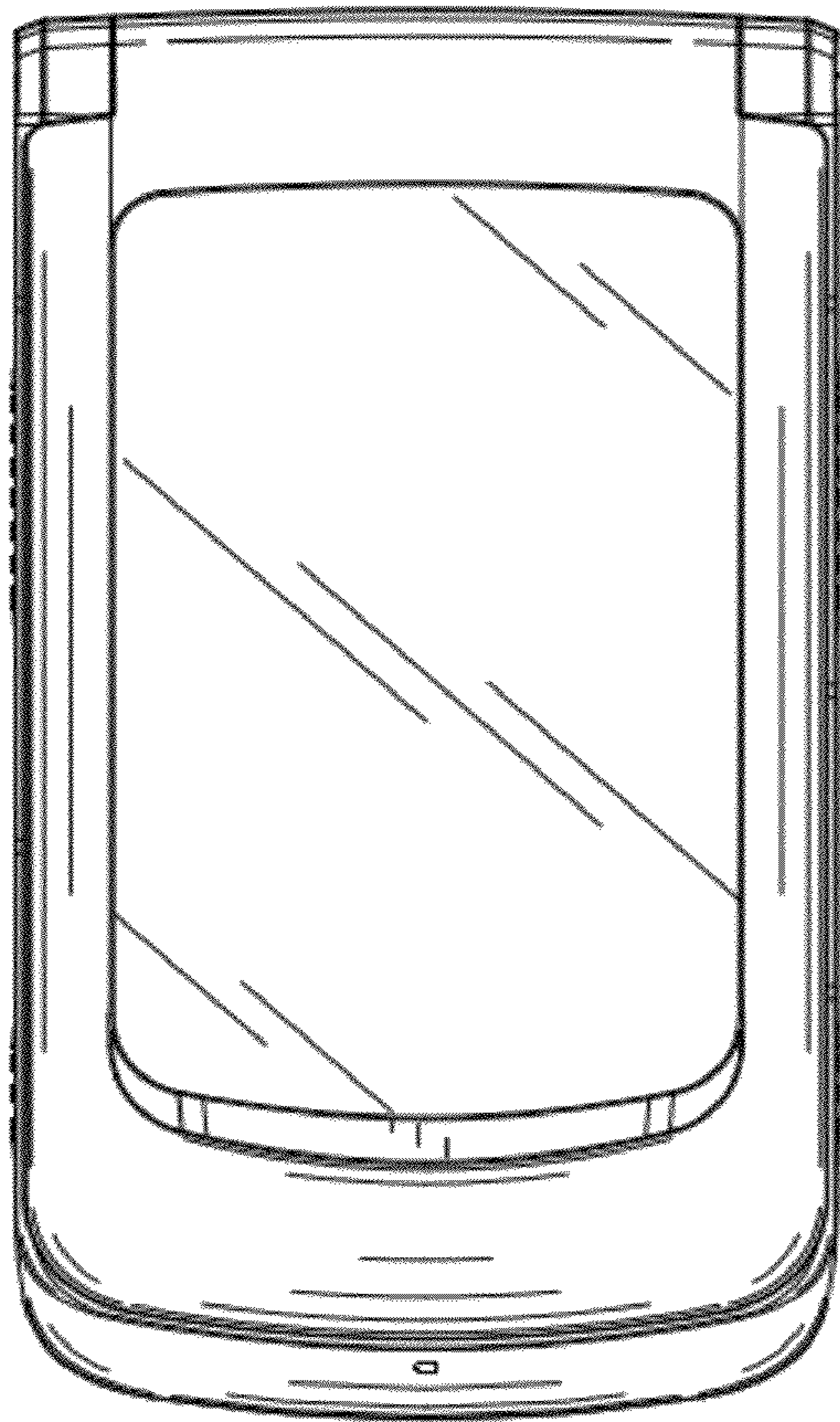


FIG. 3

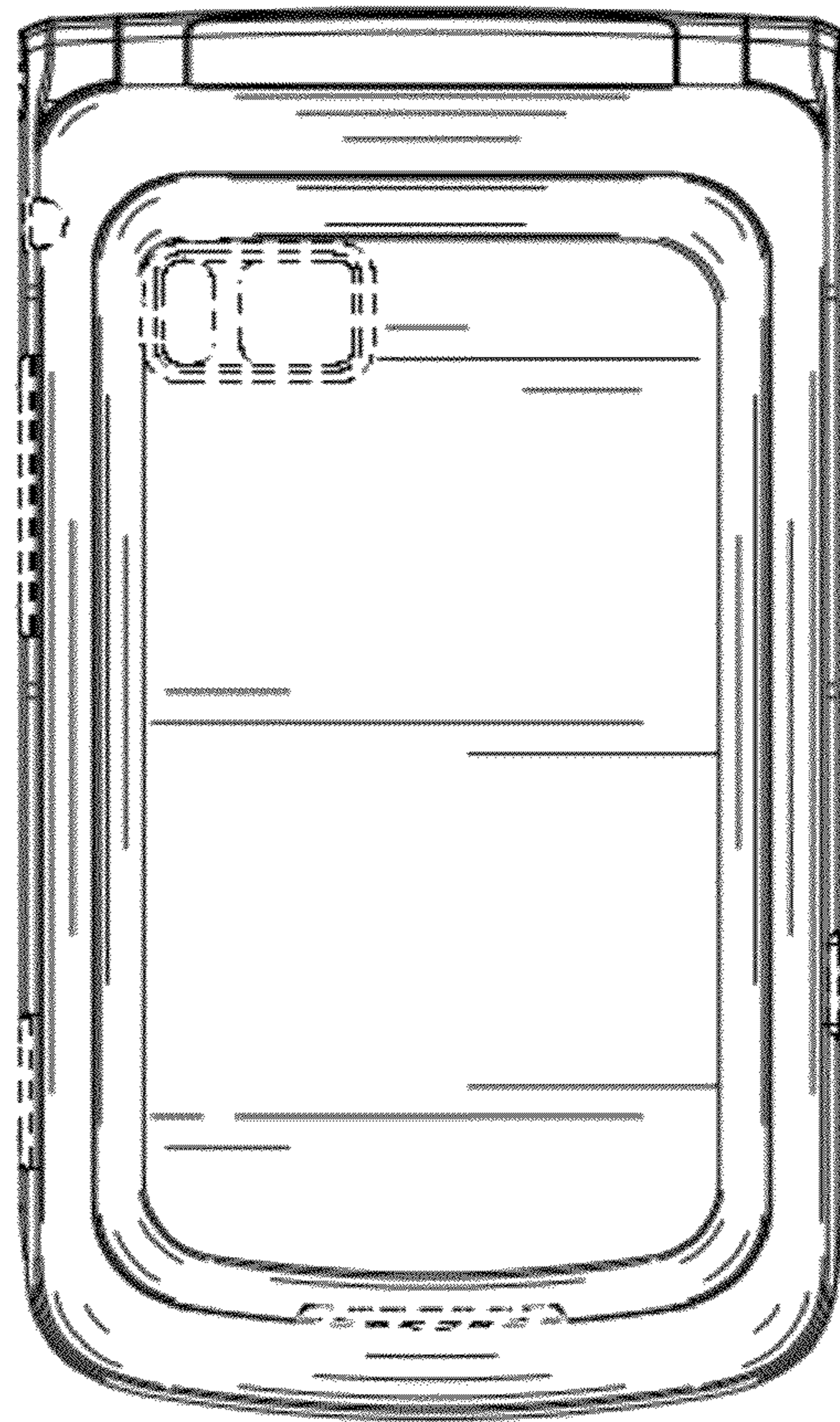


FIG. 4

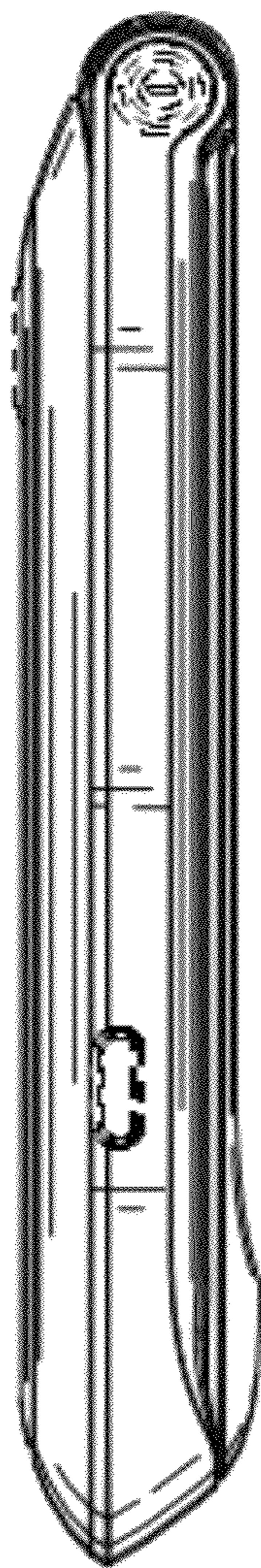


FIG. 5

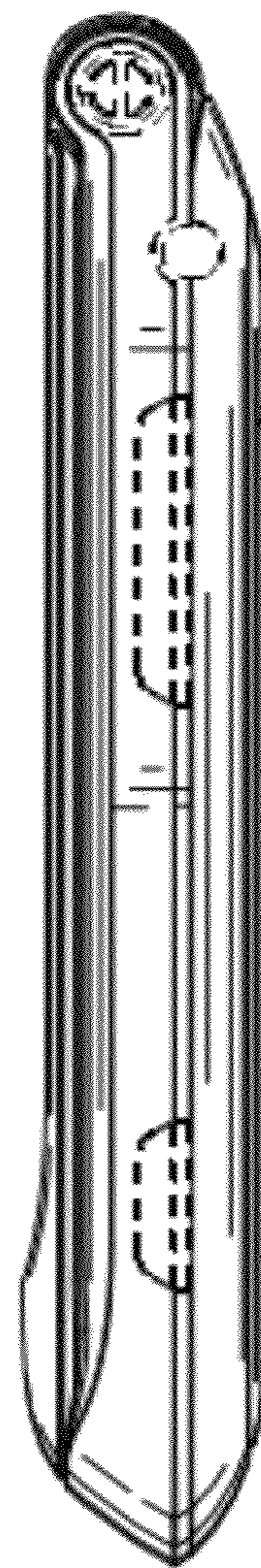


FIG. 6

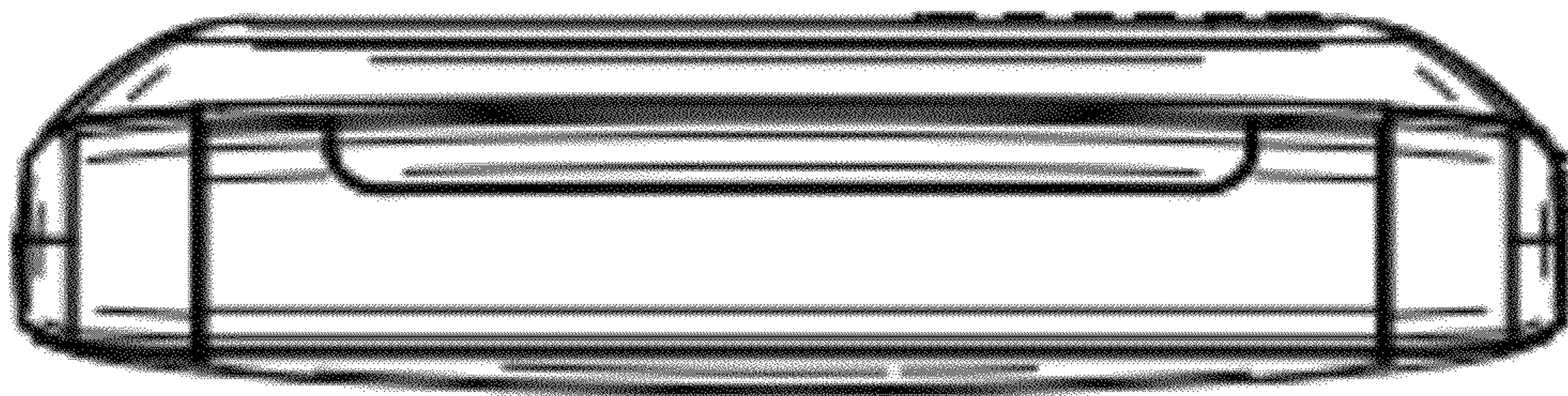


FIG. 7

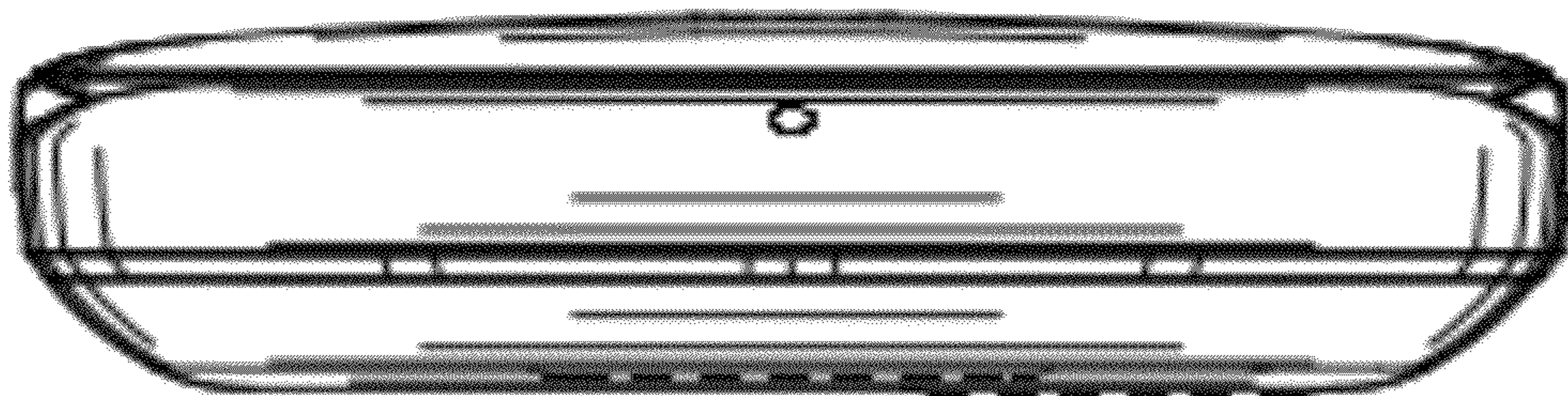


FIG. 8

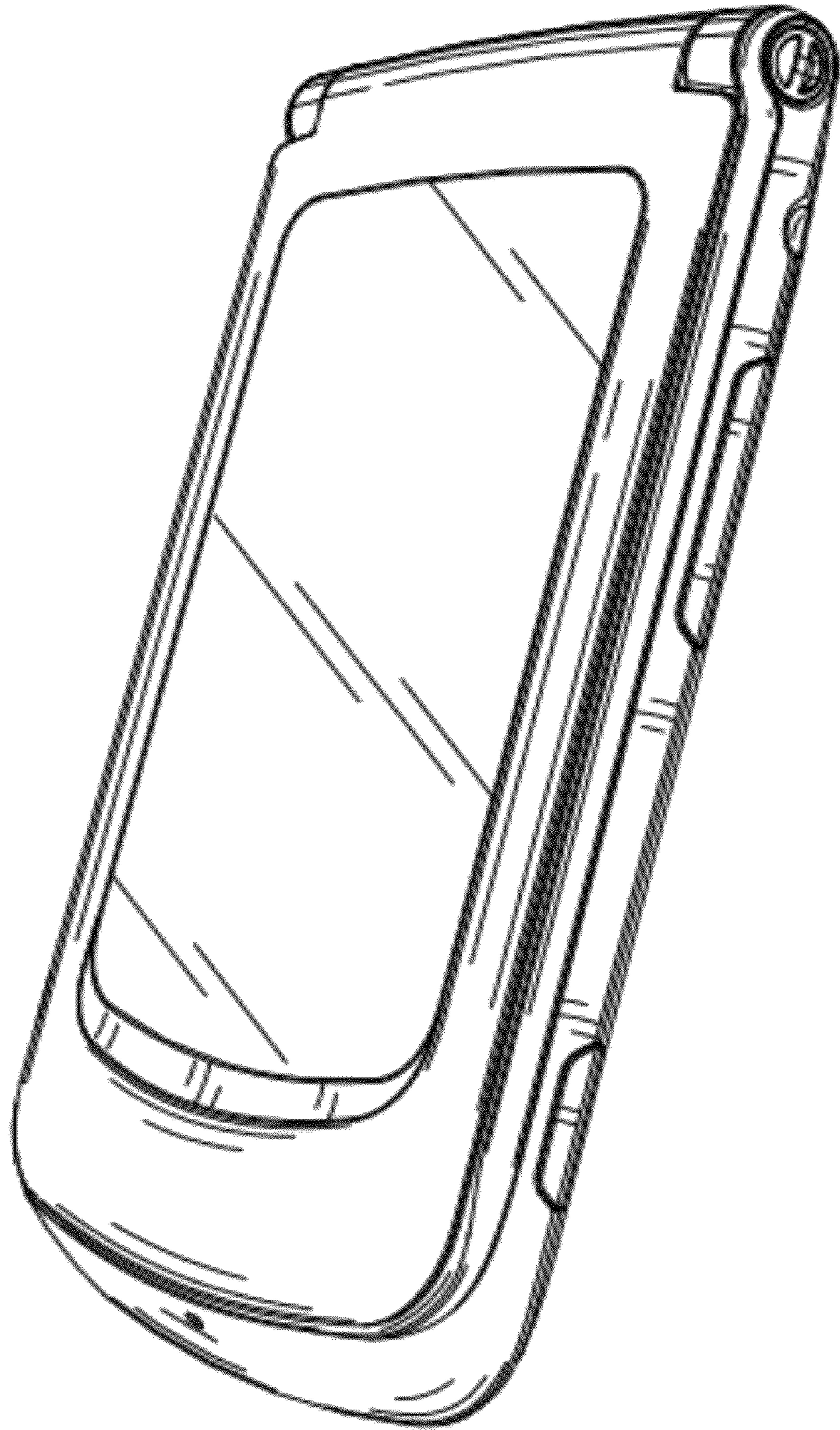


FIG. 9

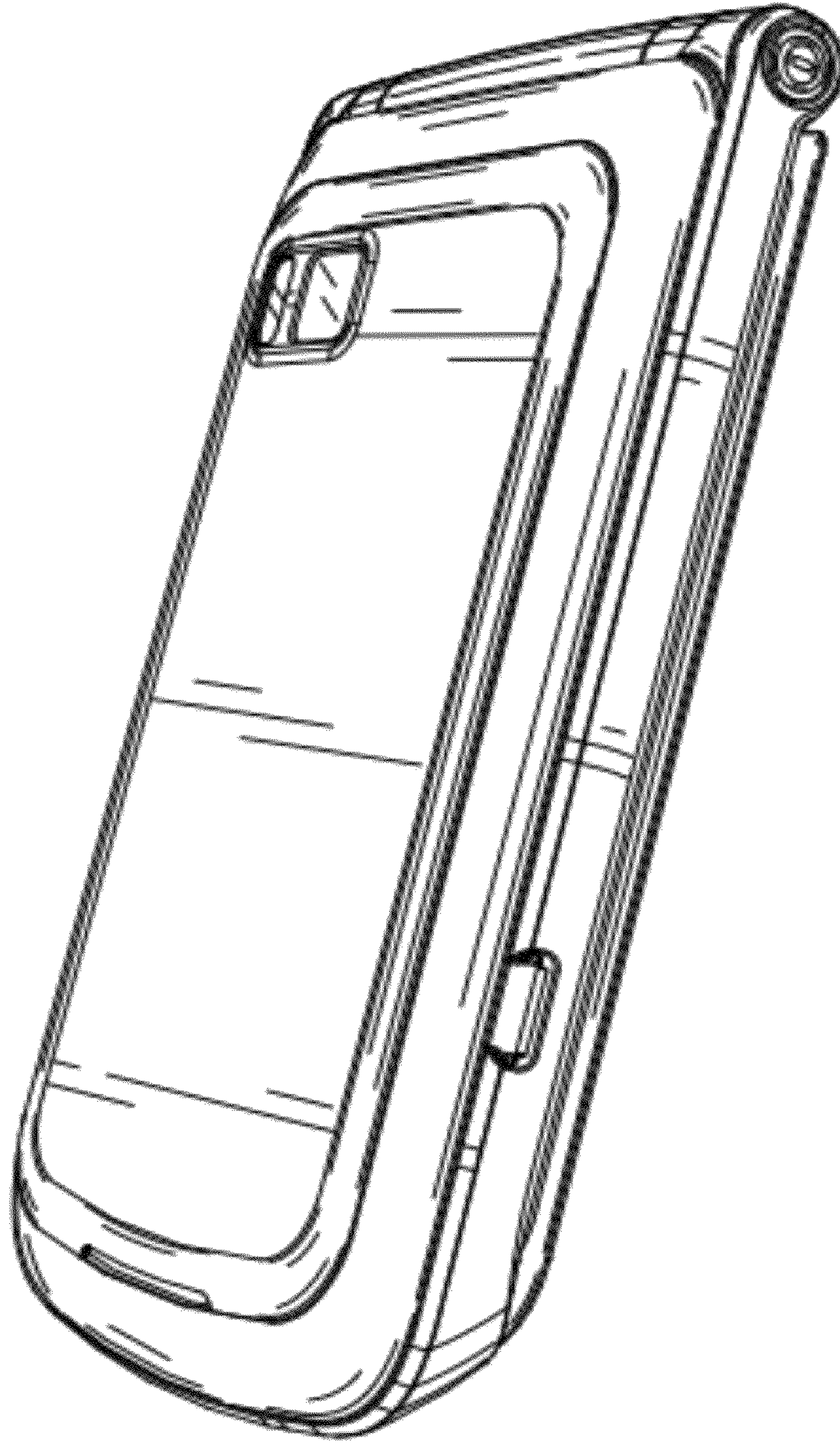


FIG. 10

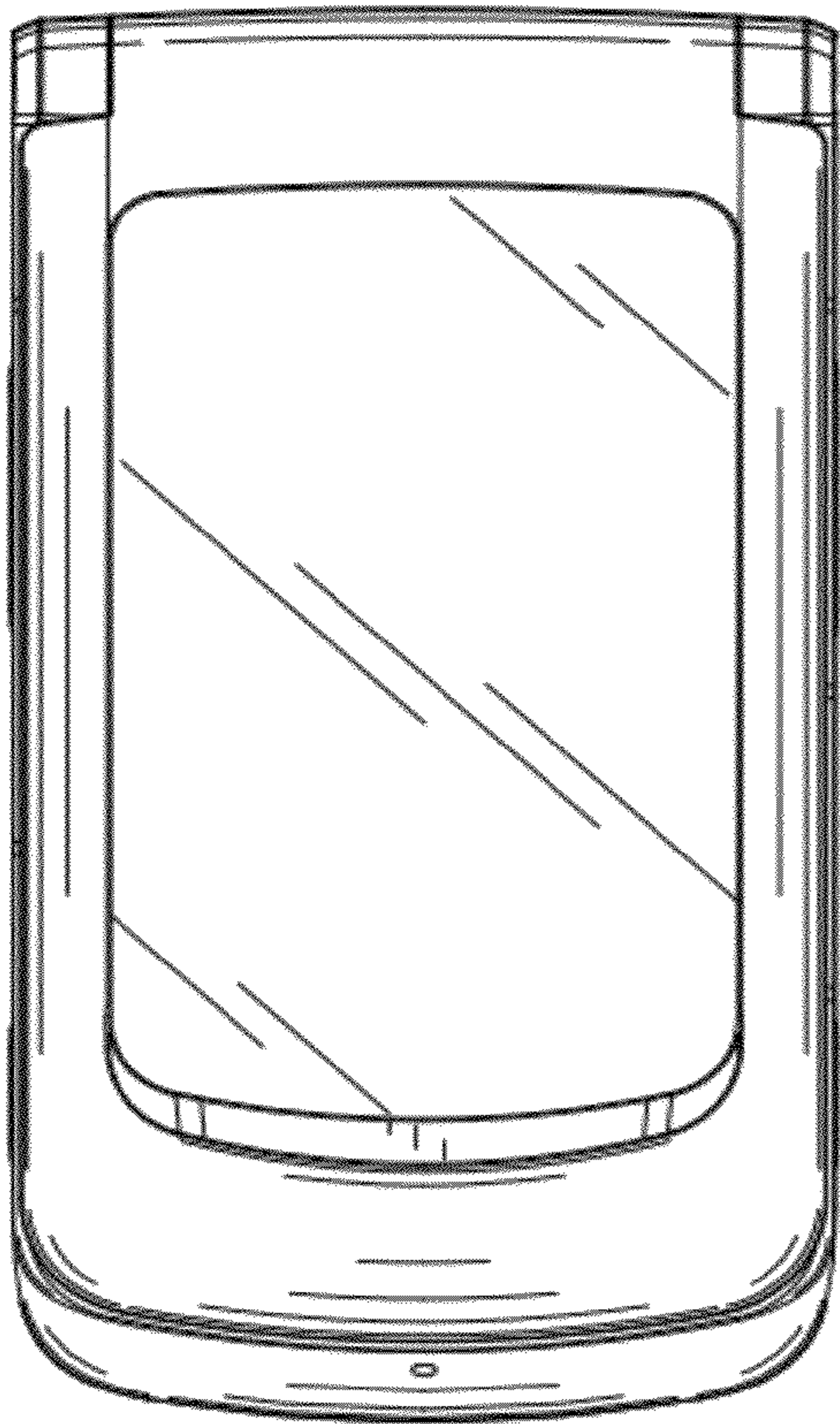


FIG. 11

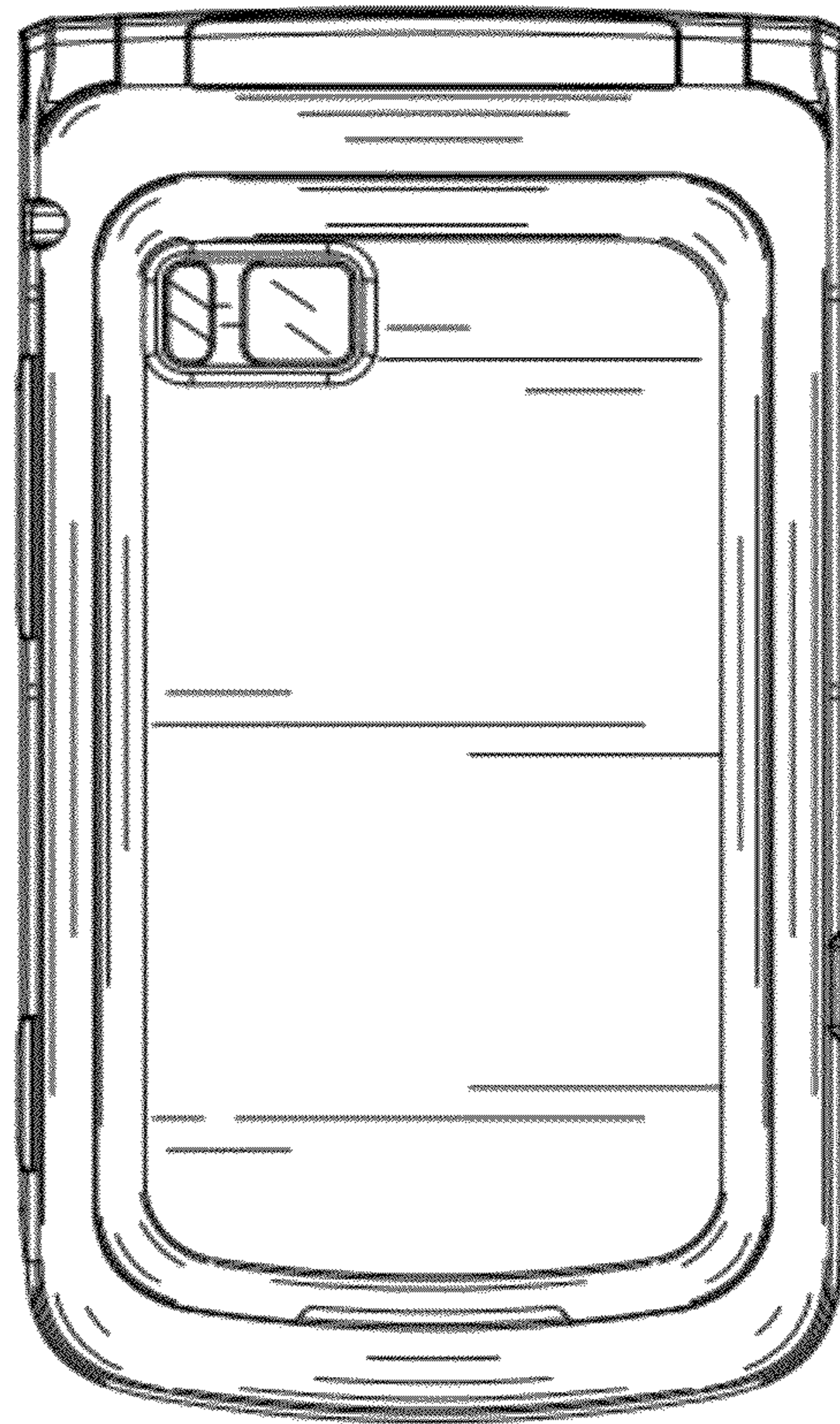


FIG. 12

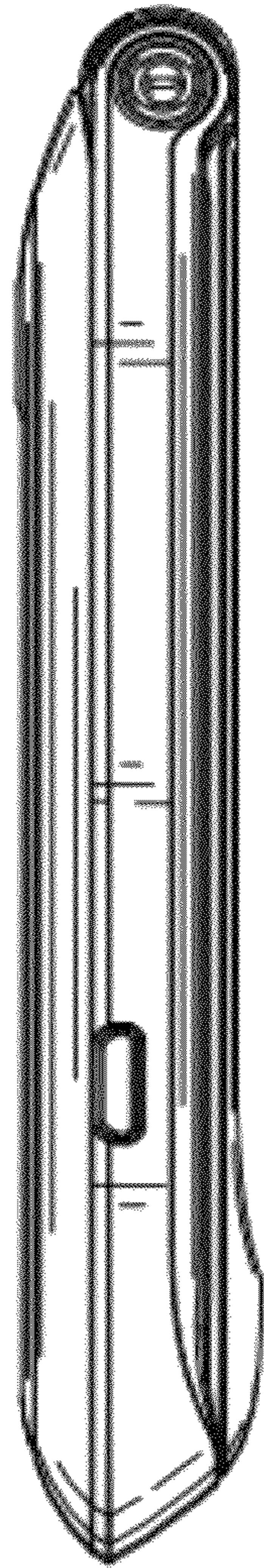


FIG. 13

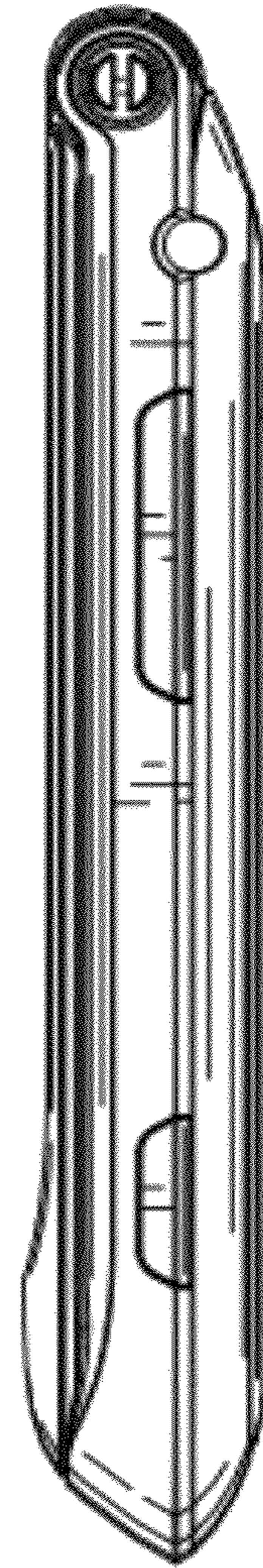


FIG. 14

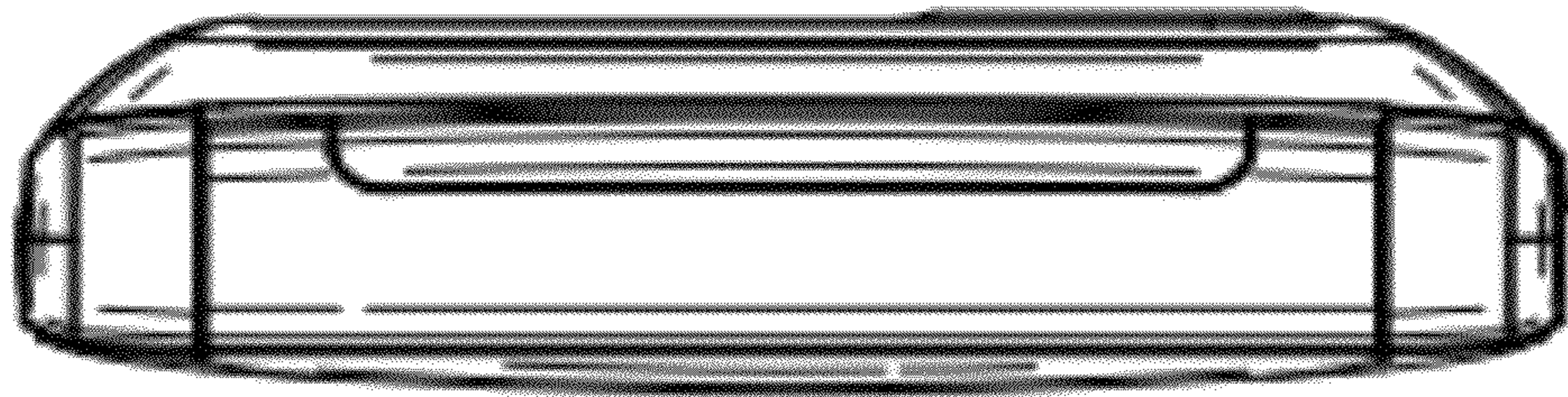


FIG. 15

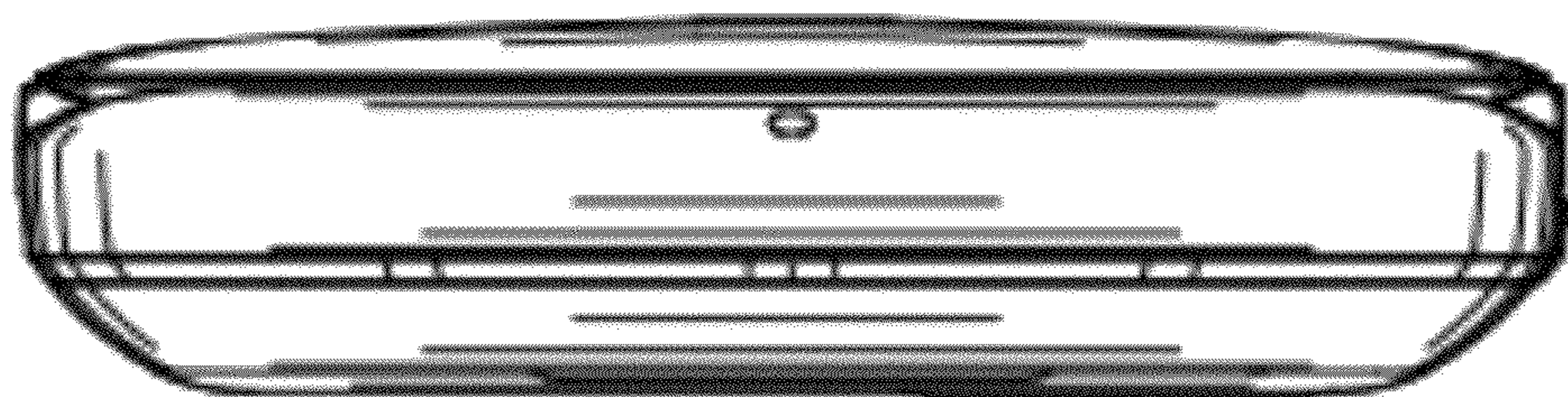


FIG. 16