



US00D666979S

(12) **United States Design Patent**
Teramoto et al.

(10) **Patent No.:** **US D666,979 S**

(45) **Date of Patent:** **** Sep. 11, 2012**

(54) **SUBSTRATE HOLDER**

(75) Inventors: **Akihiro Teramoto**, Kumamoto (JP);
Norifumi Sato, Kumamoto (JP)

(73) Assignee: **Tokyo Electron Limited**, Tokyo (JP)

(**) Term: **14 Years**

(21) Appl. No.: **29/393,934**

(22) Filed: **Jun. 10, 2011**

(30) **Foreign Application Priority Data**

Dec. 14, 2010 (JP) 2010-029766

(51) **LOC (9) Cl.** **13-99**

(52) **U.S. Cl.** **D13/199**

(58) **Field of Classification Search** D13/199,
D13/101, 118, 120, 121, 133, 182, 184; 294/901,
294/902, 907; 361/230, 234; 414/941; 438/106,
438/113, 121, 125, 126, 455, 456; D15/199;
118/500, 506

See application file for complete search history.

(56) **References Cited**

U.S. PATENT DOCUMENTS

6,117,238 A * 9/2000 Begin 118/500
6,578,891 B1 * 6/2003 Suzuki et al. 294/185

6,874,515 B2 * 4/2005 Ishihara et al. 134/140
D552,138 S * 10/2007 Kondo et al. D15/199
D614,593 S * 4/2010 Lee et al. D13/182
2007/0076345 A1 * 4/2007 Bang et al. 361/234

* cited by examiner

Primary Examiner — Derrick Holland

(74) *Attorney, Agent, or Firm* — Posz Law Goup, PLC

(57) **CLAIM**

What is claimed is the ornamental design for a substrate holder, as shown and described.

DESCRIPTION

FIG. 1 is a top perspective view of a substrate holder showing our new design;

FIG. 2 is a front view thereof;

FIG. 3 is a rear view thereof;

FIG. 4 is a left side view thereof, the right side being a mirror image;

FIG. 5 is a top plan view thereof;

FIG. 6 is a bottom plan view thereof; and,

FIG. 7 is an enlarged cross-sectional view taken along line 7-7 of FIG. 5 thereof.

The article is a substrate holder exchangeably attached to a substrate transfer arm holding and transferring a circular substrate, for example, a semiconductor wafer or the like.

1 Claim, 3 Drawing Sheets

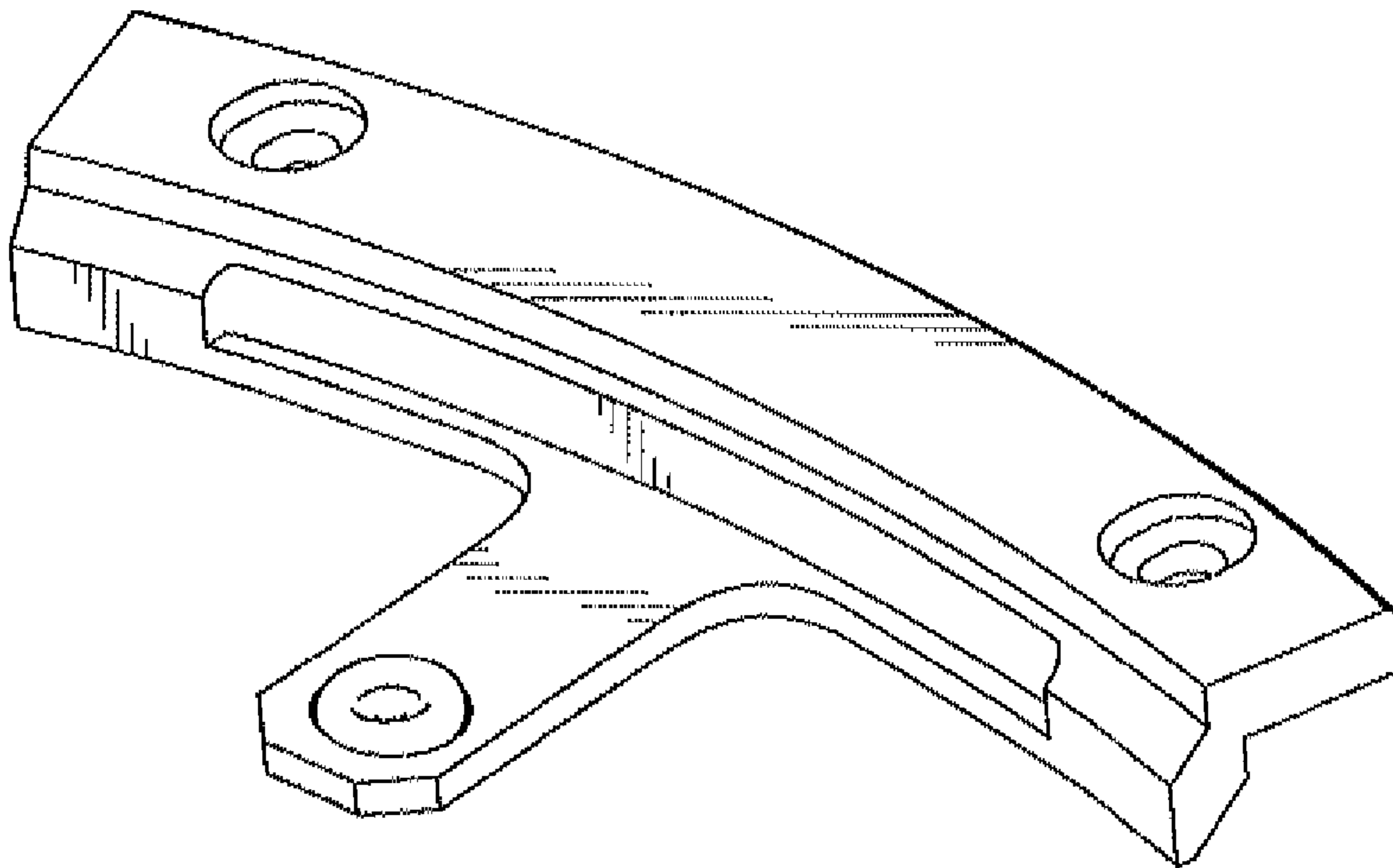


FIG.1

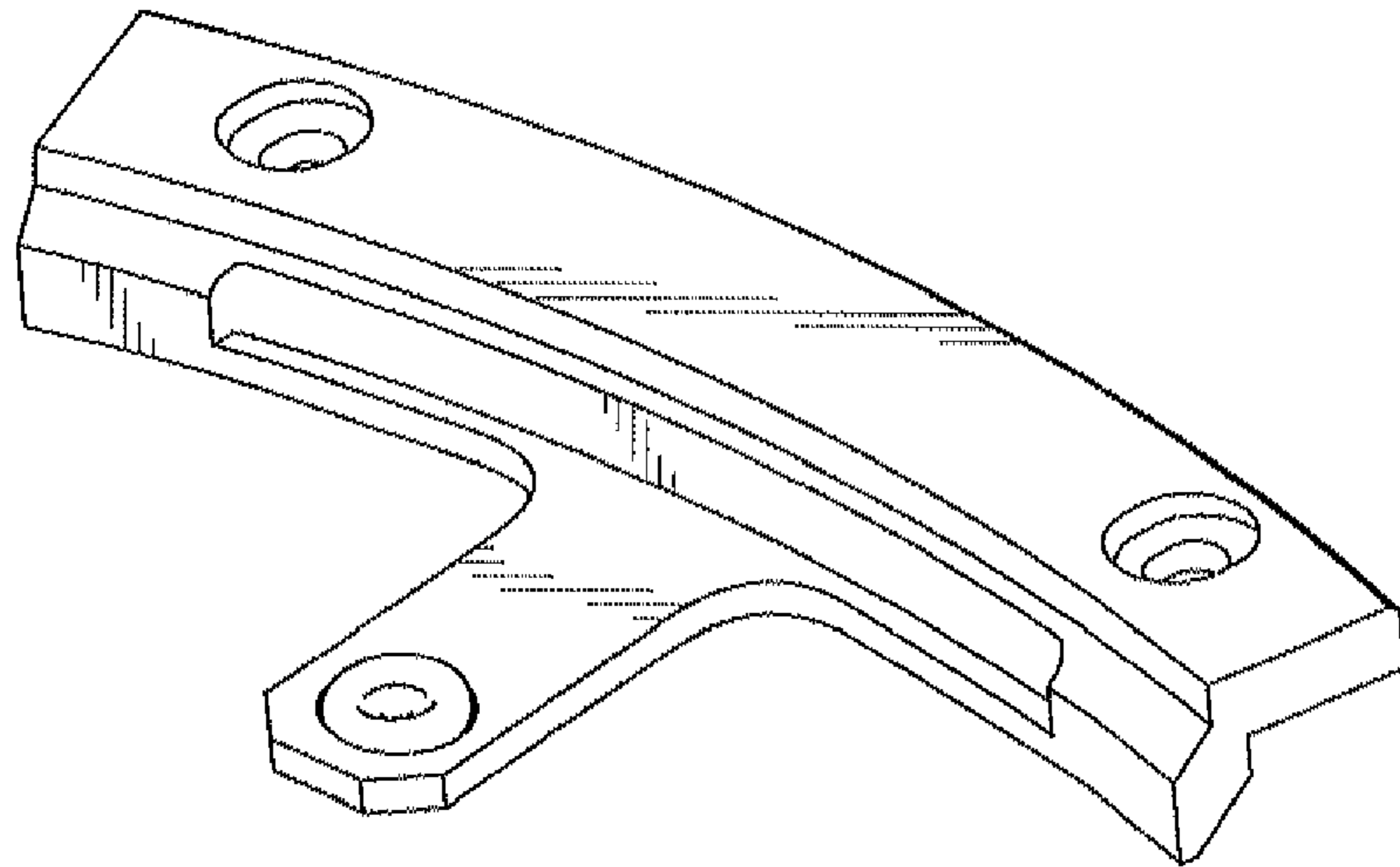


FIG.2

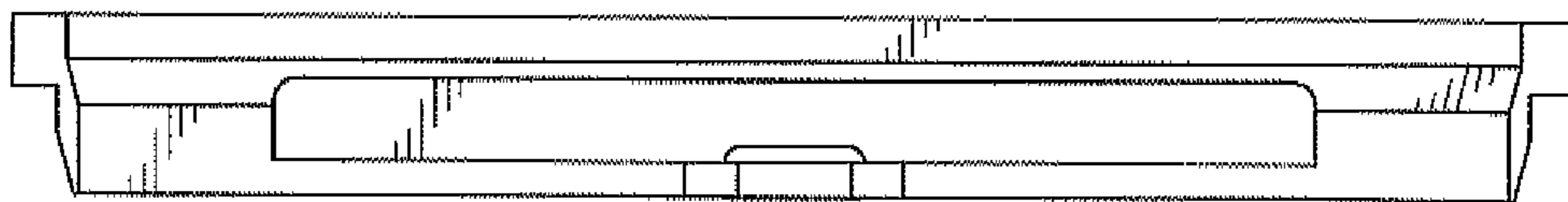


FIG.3

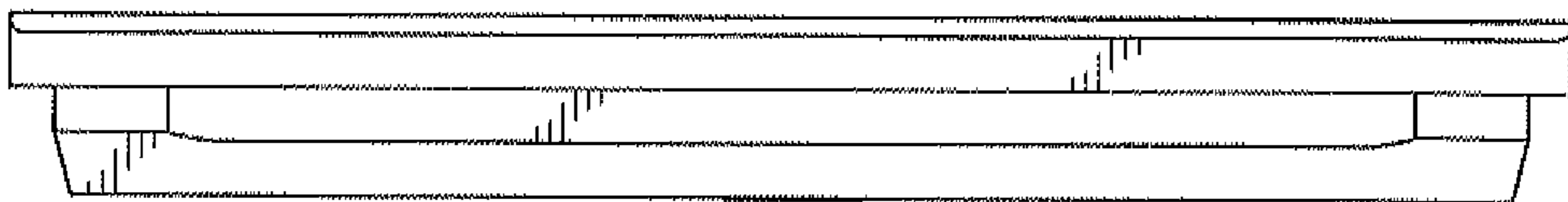


FIG.4

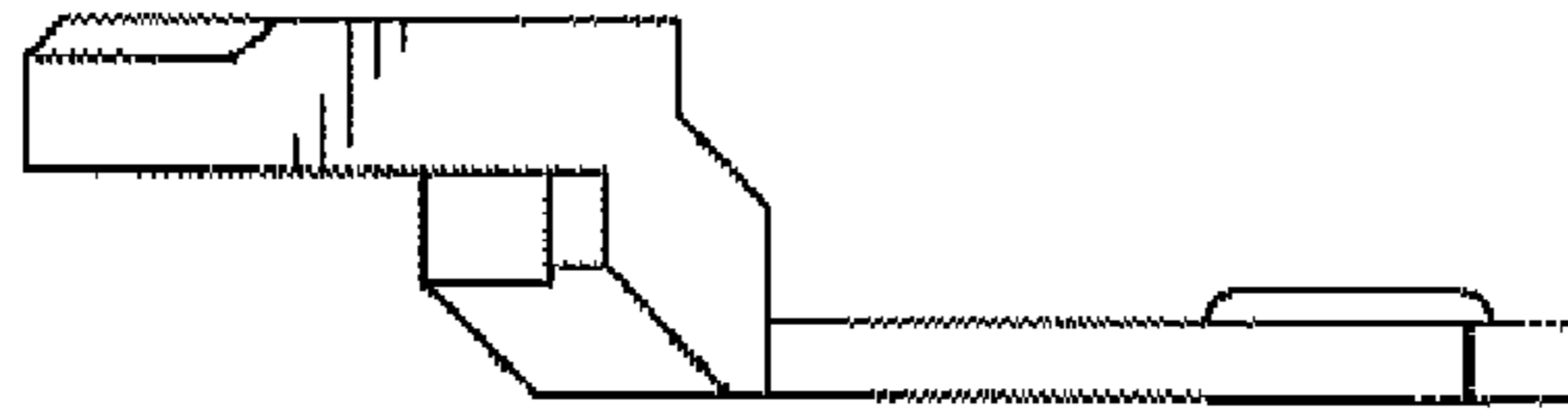


FIG.5

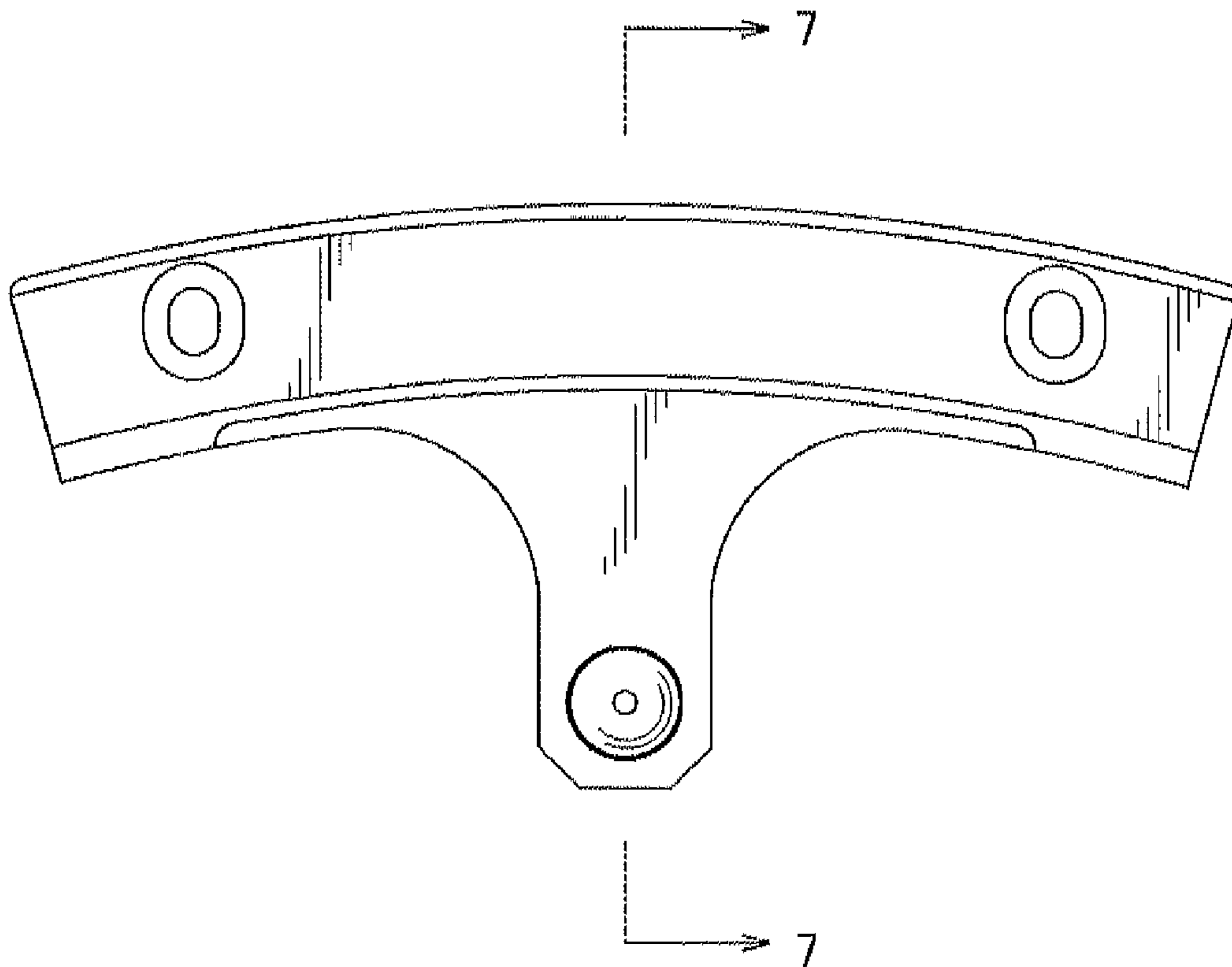


FIG.6

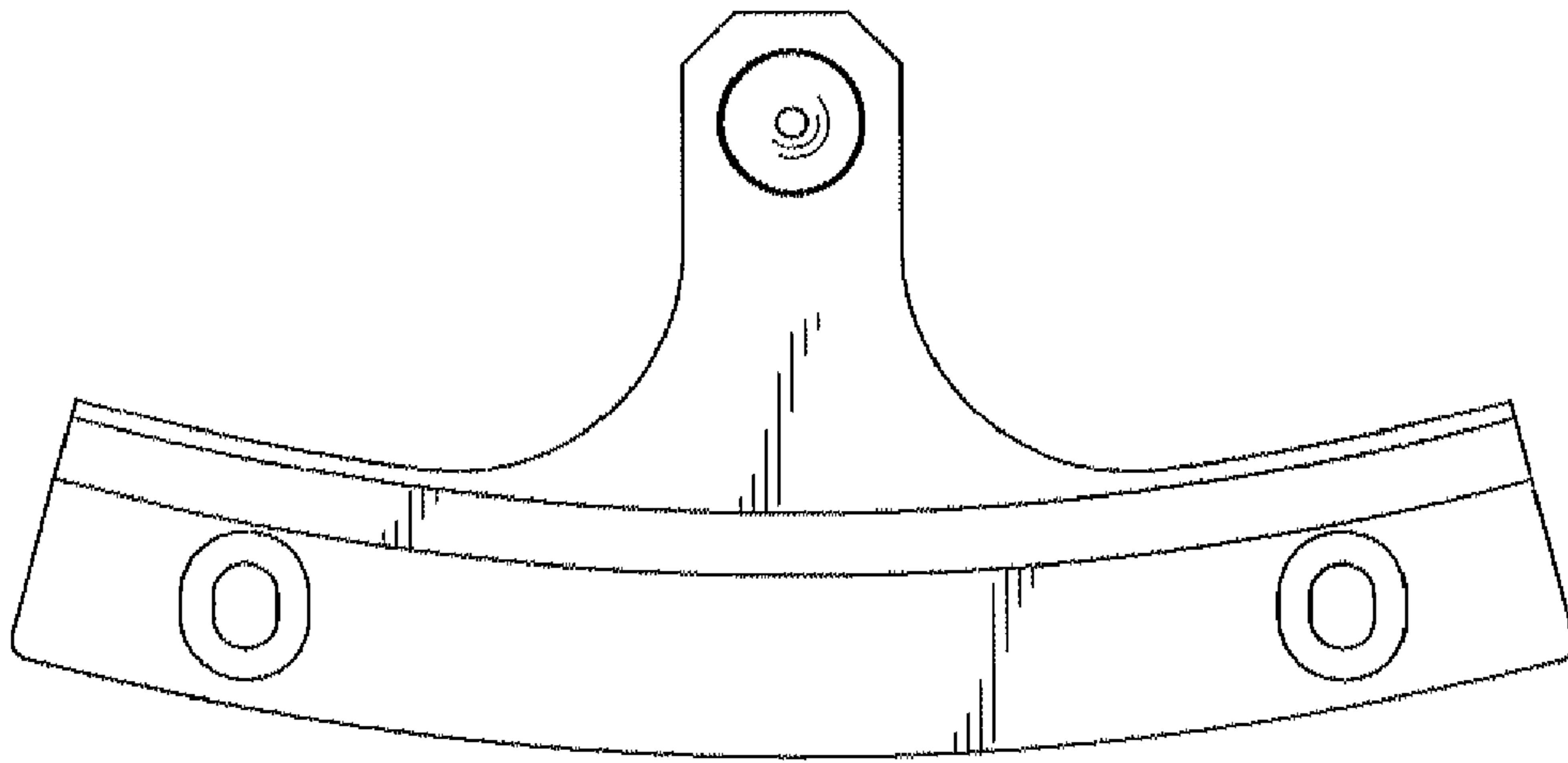


FIG.7

