



US00D666977S

(12) **United States Design Patent**
Naumann et al.

(10) **Patent No.:** **US D666,977 S**
(45) **Date of Patent:** **** Sep. 11, 2012**

(54) **PROTECTIVE CASINGS FOR ELECTRICAL DEVICES**

(75) Inventors: **Reiner Naumann**, Mannheim (DE);
Markus Reinhart, Hassmersheim (DE);
Frank Hieronymus,
Hesseneck-Schoellenbach (DE)

(73) Assignee: **Cooper Crouse-Hinds GmbH**, Soest (DE)

(**) Term: **14 Years**

(21) Appl. No.: **29/379,326**

(22) Filed: **Nov. 17, 2010**

Related U.S. Application Data

(62) Division of application No. 29/342,085, filed on Aug. 18, 2009, now Pat. No. Des. 629,762.

(30) **Foreign Application Priority Data**

Feb. 18, 2009	(CN)	2009 3 0005239
Feb. 18, 2009	(CN)	2009 3 0005240
Feb. 18, 2009	(CN)	2009 3 0005241
Feb. 18, 2009	(CN)	2009 3 0005242
Feb. 18, 2009	(CN)	2009 3 0005243
Feb. 18, 2009	(CN)	2009 3 005244
Feb. 18, 2009	(CN)	2009 3 0005245
Feb. 18, 2009	(CN)	2009 3 0005246
Feb. 18, 2009	(CN)	2009 3 0005247
Feb. 18, 2009	(CN)	2009 3 0005248
Feb. 18, 2009	(CN)	2009 3 0005249
Feb. 18, 2009	(CN)	2009 3 0005250
Feb. 18, 2009	(EP)	001089700

(51) **LOC (9) Cl.** **13-03**

(52) **U.S. Cl.** **D13/160**

(58) **Field of Classification Search** D13/158,
D13/159, 160, 161, 162, 184, 199; 200/43.14,
200/50.01, 50.21-50.23, 51 R, 293, 400,
200/401; 361/42, 44, 45, 50, 71, 115, 608,
361/634

See application file for complete search history.

(56) **References Cited**

U.S. PATENT DOCUMENTS

D229,699 S 12/1973 Hehs
D300,315 S 3/1989 Thomas
(Continued)

OTHER PUBLICATIONS

Stahl, Control Panels, Distribution Panels and Components, Miniature Circuit-Breaker Series 8562, Dec. 5, 2006, pp. 1-26, Stahl Internal Catalogue.

(Continued)

Primary Examiner — Thomas Johannes

(74) *Attorney, Agent, or Firm* — King & Spalding LLP

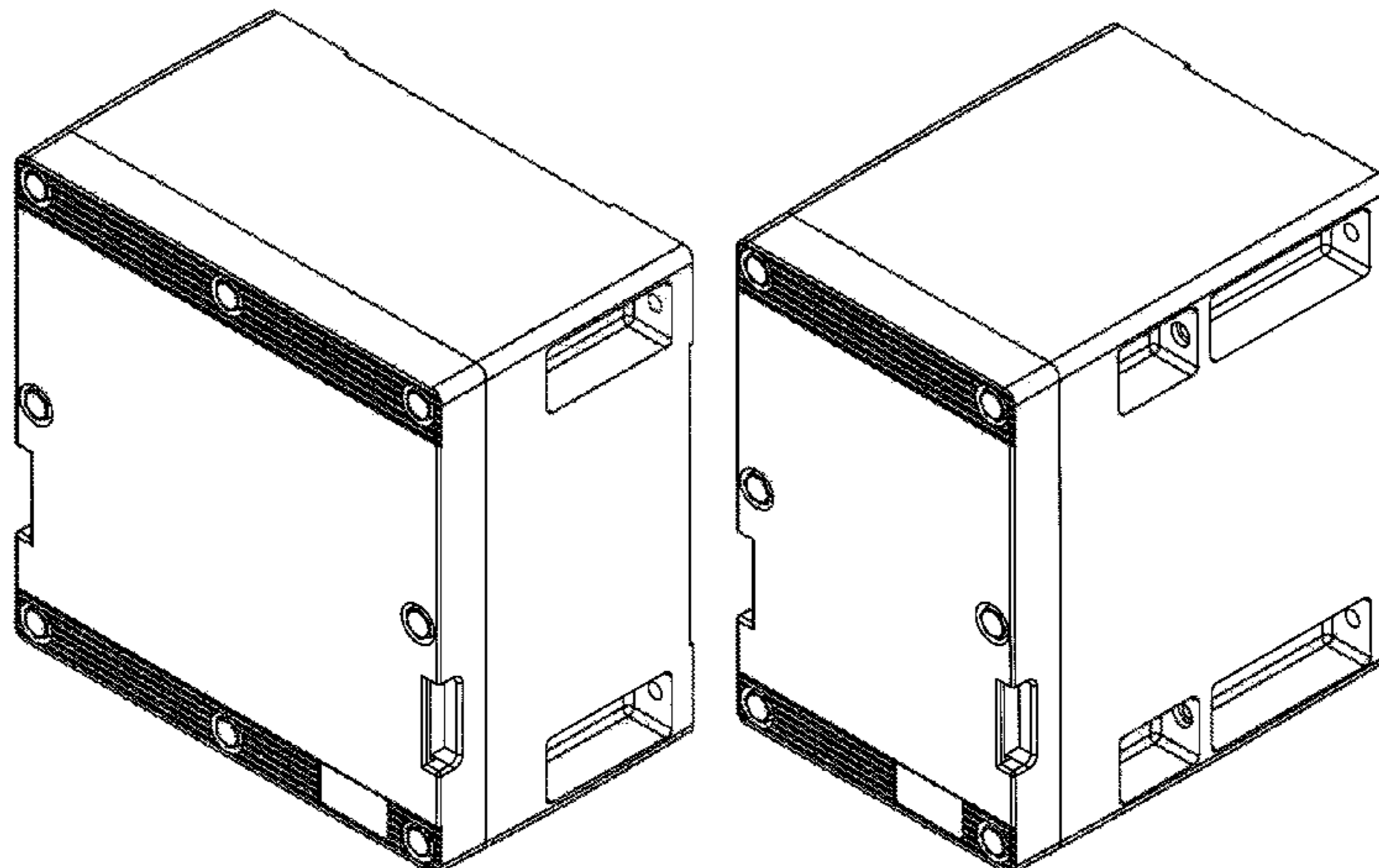
(57) **CLAIM**

The ornamental design for protective casings for electrical devices, as shown and described.

DESCRIPTION

FIG. 1 is a perspective view of a first embodiment of a protective casing for electrical devices showing our new design; FIG. 2 is a right side elevation view thereof; FIG. 3 is a left side elevation view thereof; FIG. 4 is a front elevation view thereof; FIG. 5 is a rear elevation view thereof; and, FIG. 6 is a top plan view thereof
FIG. 7 is a perspective view of a second embodiment of a protective casing for electrical devices showing our new design; FIG. 8 is a right side elevation view thereof; FIG. 9 is a left side elevation view thereof; FIG. 10 is a front elevation view thereof; FIG. 11 is a rear elevation view thereof; and, FIG. 12 is a top plan view thereof
FIG. 13 is a perspective view of a third embodiment of a protective casing for electrical devices showing our new design; FIG. 14 is a right side elevation view thereof; FIG. 15 is a left side elevation view thereof; FIG. 16 is a front elevation view thereof; FIG. 17 is a rear elevation view thereof; and, FIG. 18 is a top plan view thereof.

1 Claim, 9 Drawing Sheets



US D666,977 S

Page 2

U.S. PATENT DOCUMENTS

5,493,083 A 2/1996 Olivier
D406,106 S 2/1999 Gonser
D425,493 S 5/2000 Cutright et al.
D498,464 S 11/2004 Kim
D580,880 S 11/2008 Liffran
D584,251 S 1/2009 Lewis et al.
D629,367 S 12/2010 Detemple et al.
D629,762 S 12/2010 Naumann et al.
D633,059 S 2/2011 Delakowitz
D637,977 S * 5/2011 Naumann et al. D13/160
D641,711 S * 7/2011 Azzola et al. D13/160

D643,374 S * 8/2011 Naumann et al. D13/160
D643,375 S * 8/2011 Naumann et al. D13/160
D643,376 S * 8/2011 Naumann et al. D13/160

OTHER PUBLICATIONS

Stahl, Control Panels, Distribution Panels and Components. EEx d Enclosures in Light Metal or Stainless Steel Flameproof Encapsulation CUBEx Series 8264, Mar. 11, 2003, pp. 1-8, Stahl General Catalogue.

Bartec, Relais, Nov. 2008, 1 page, Bartec brochure.

* cited by examiner

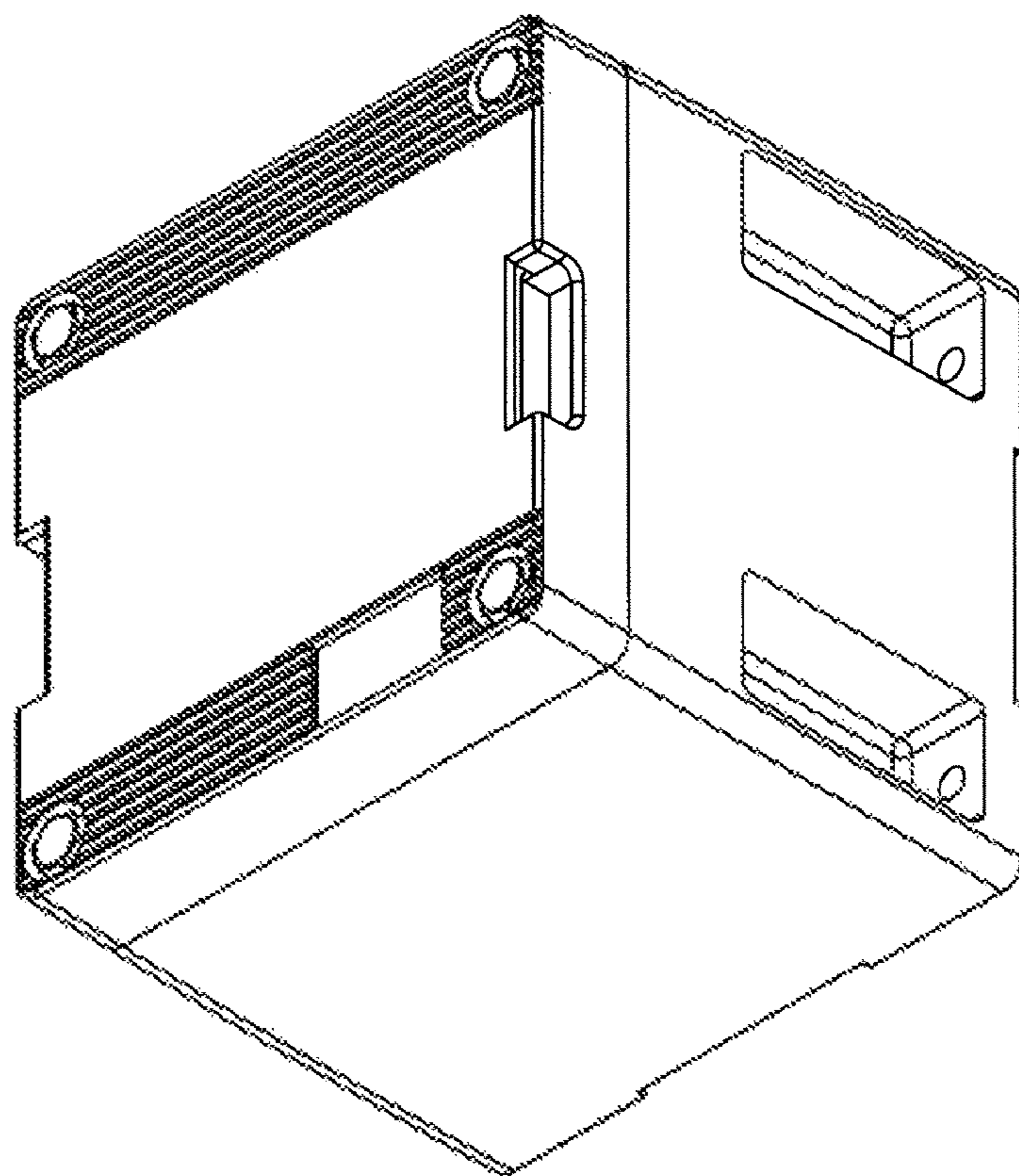


FIG. 1

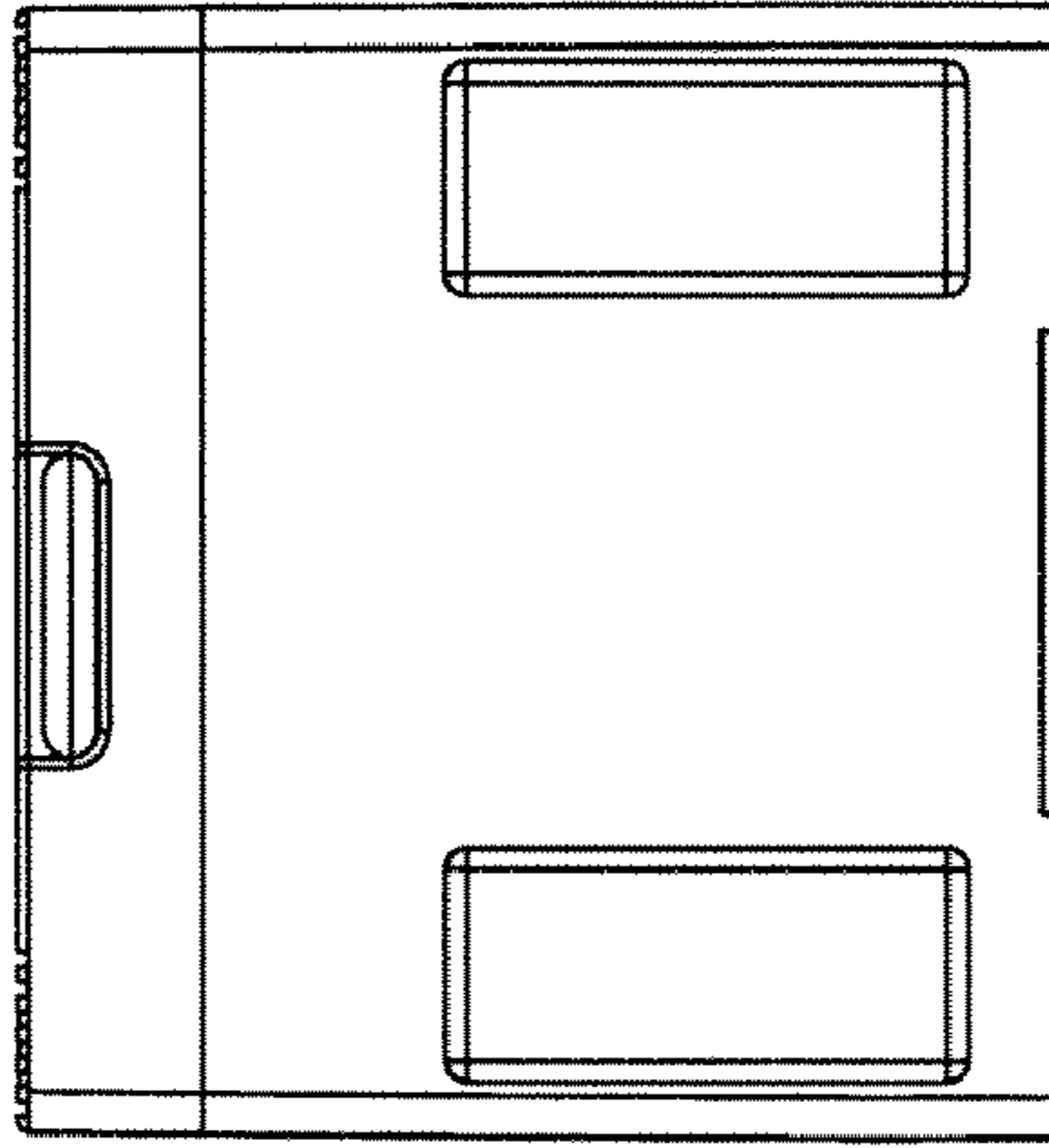


FIG. 2

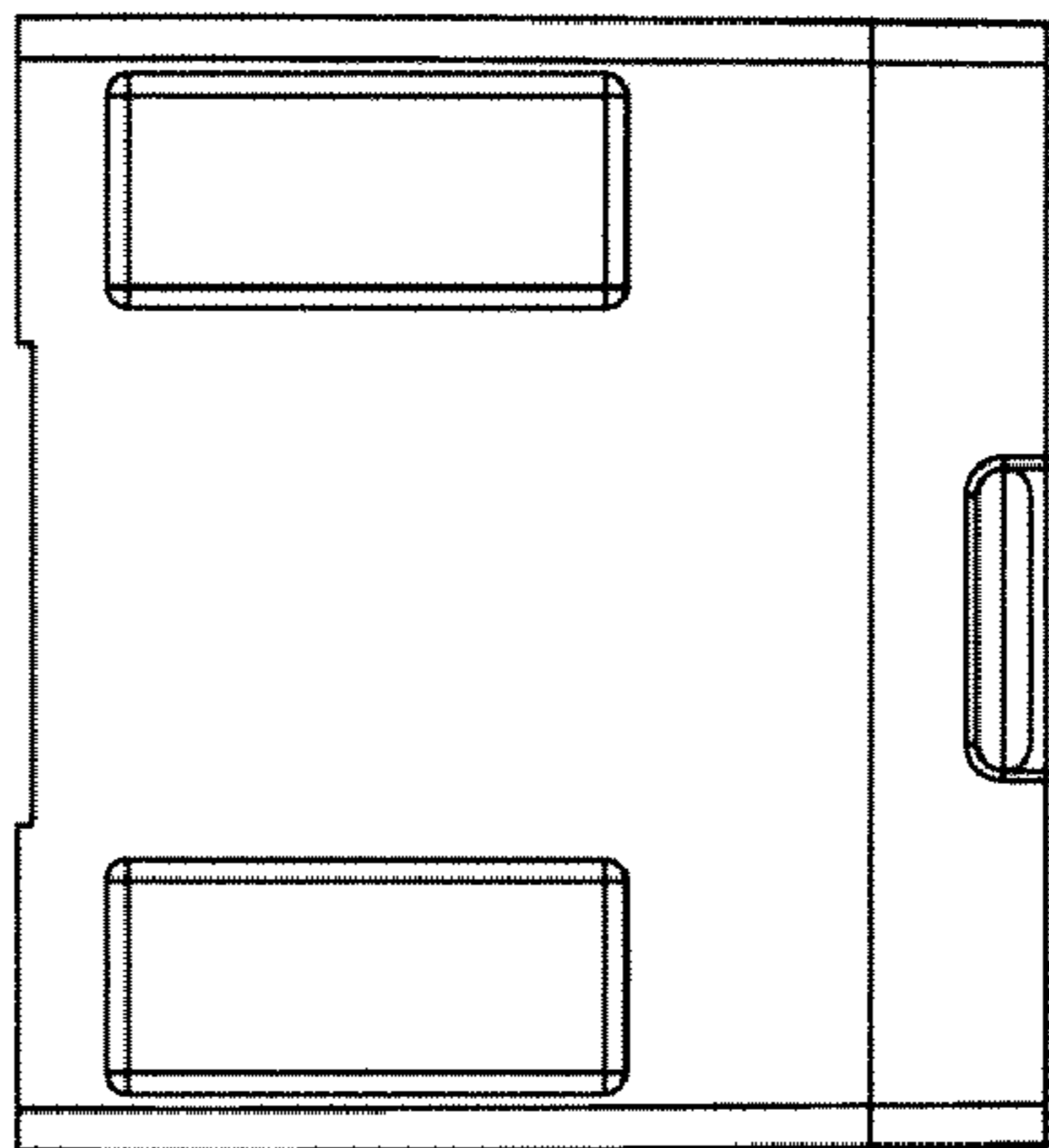


FIG. 3

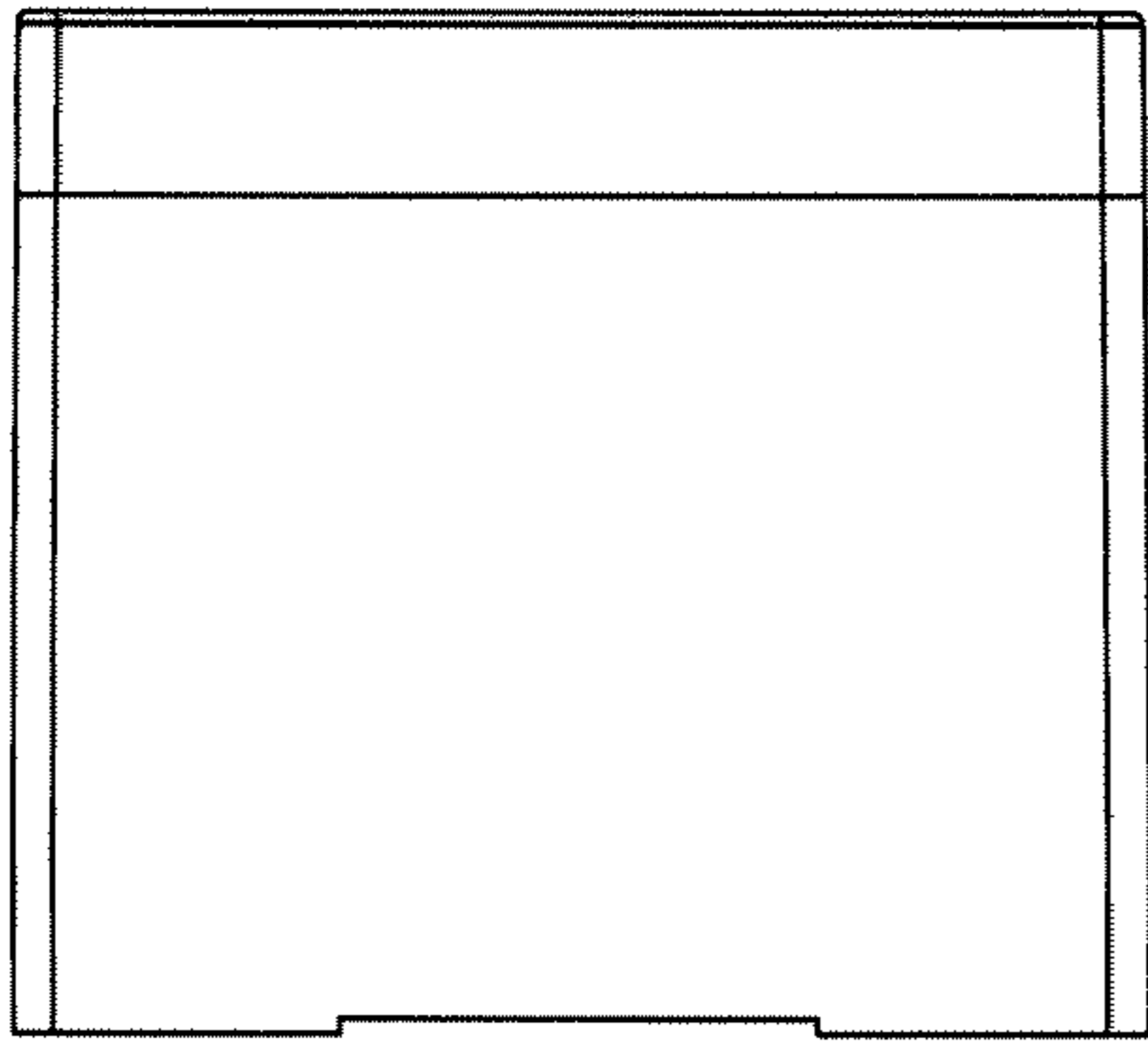


FIG. 4

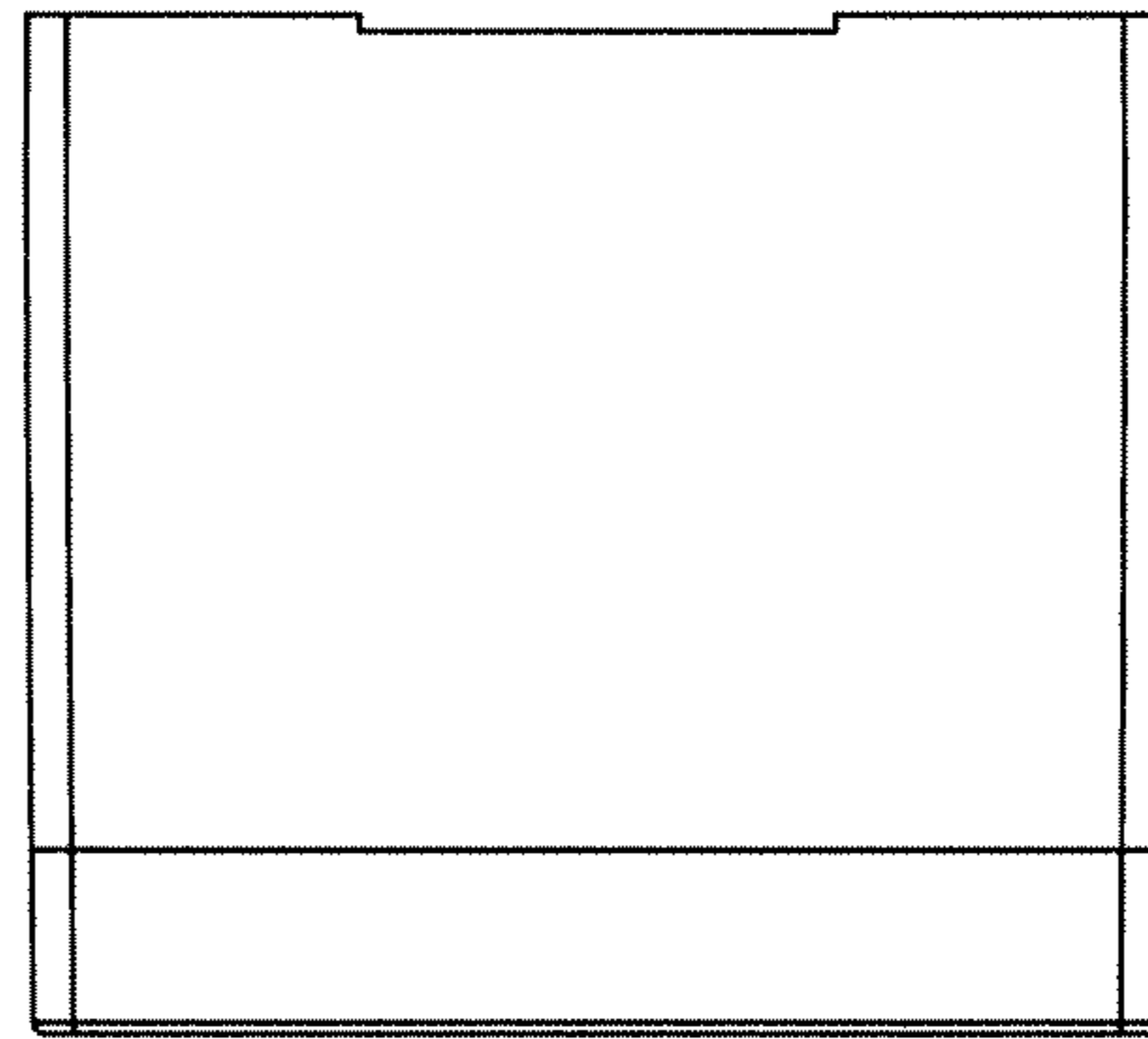


FIG. 5

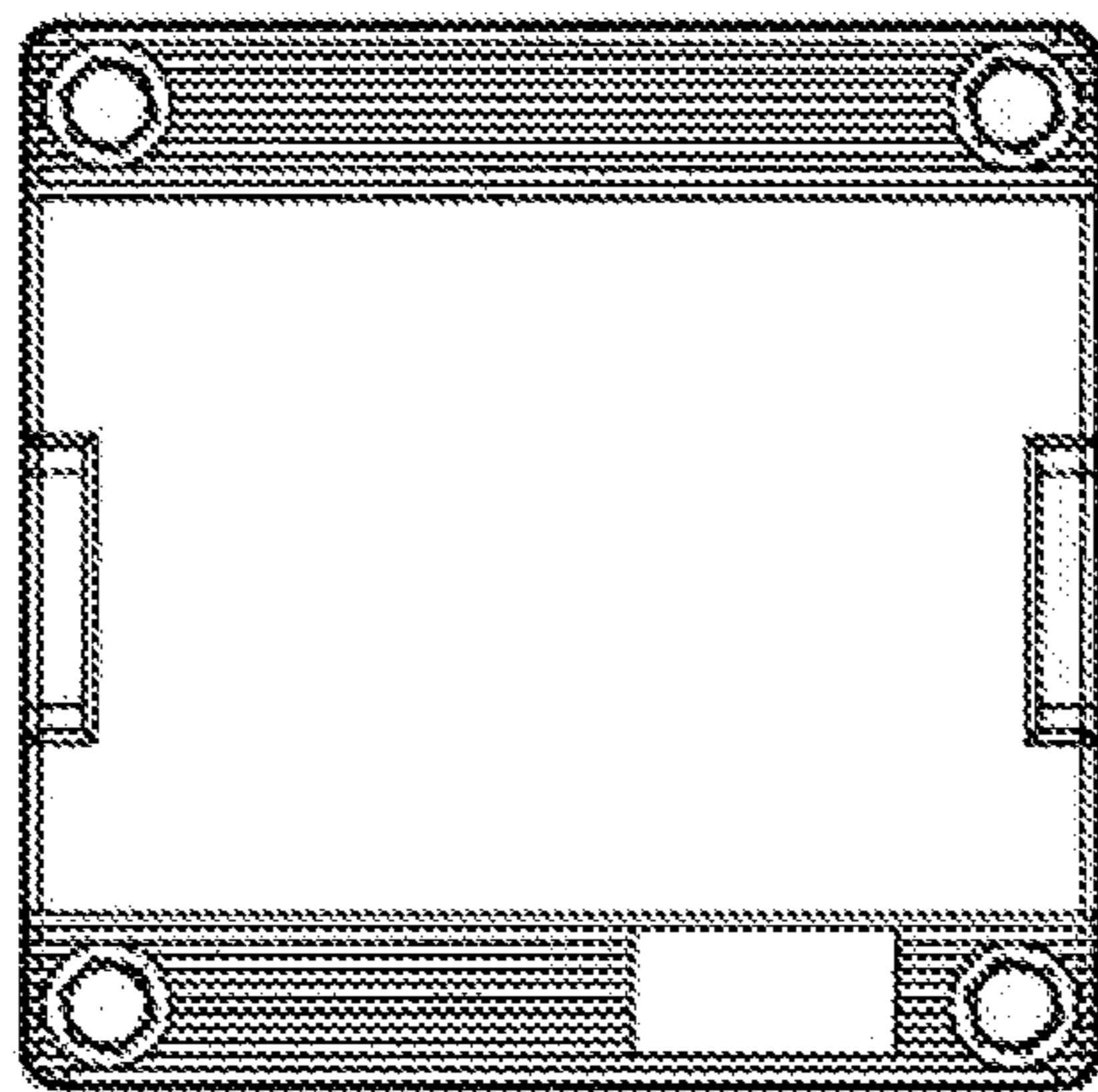


FIG. 6

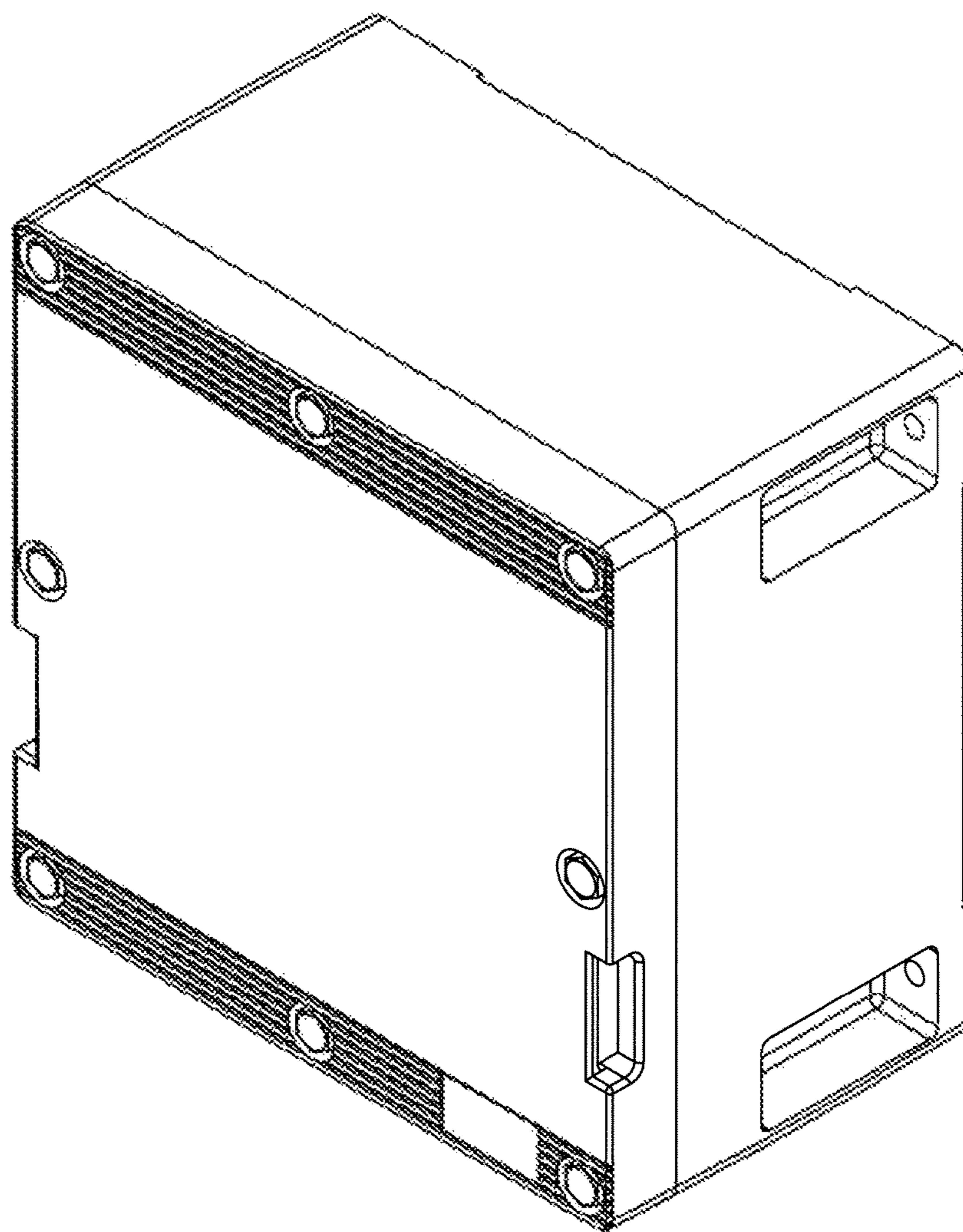


FIG. 7

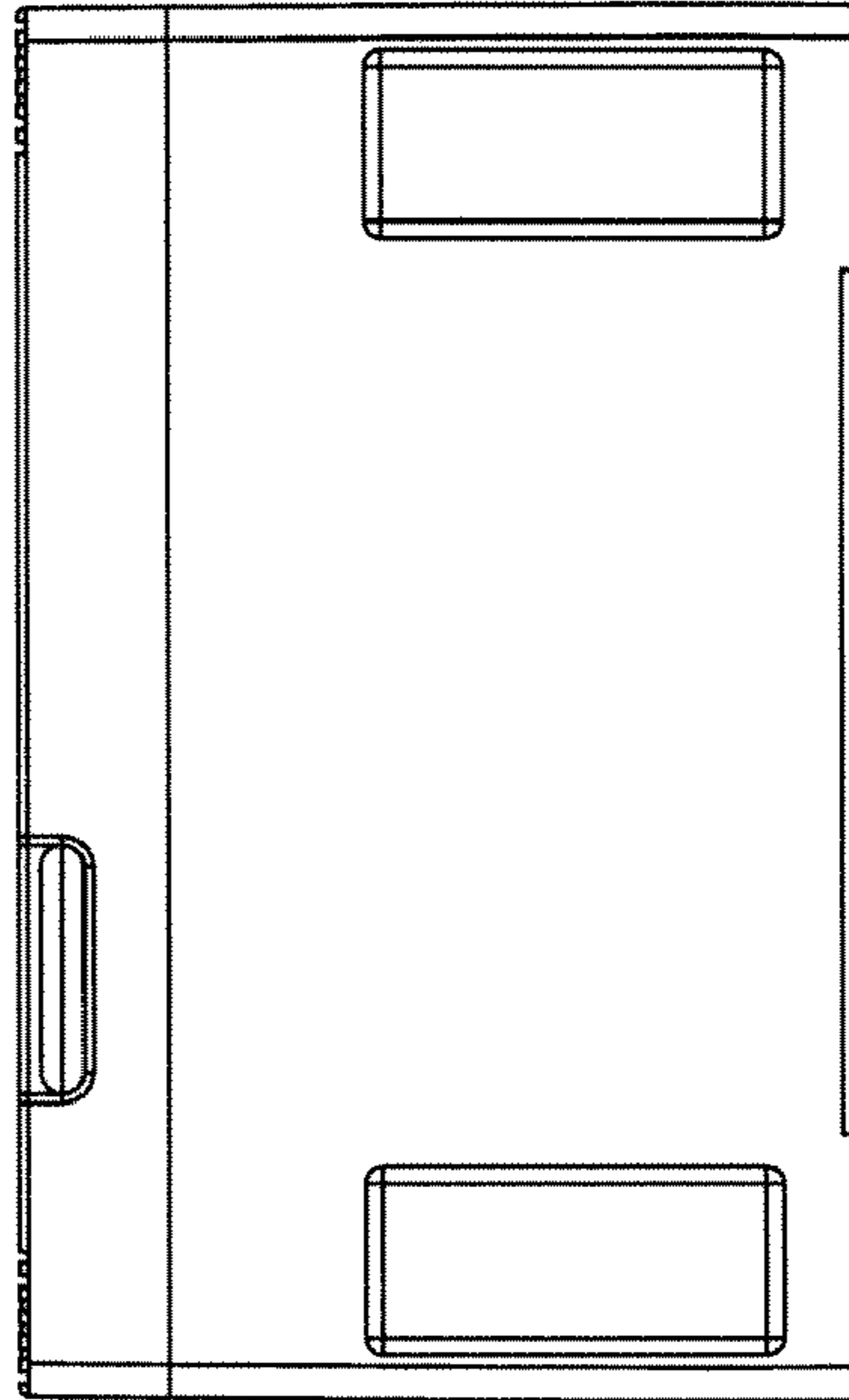


FIG. 8

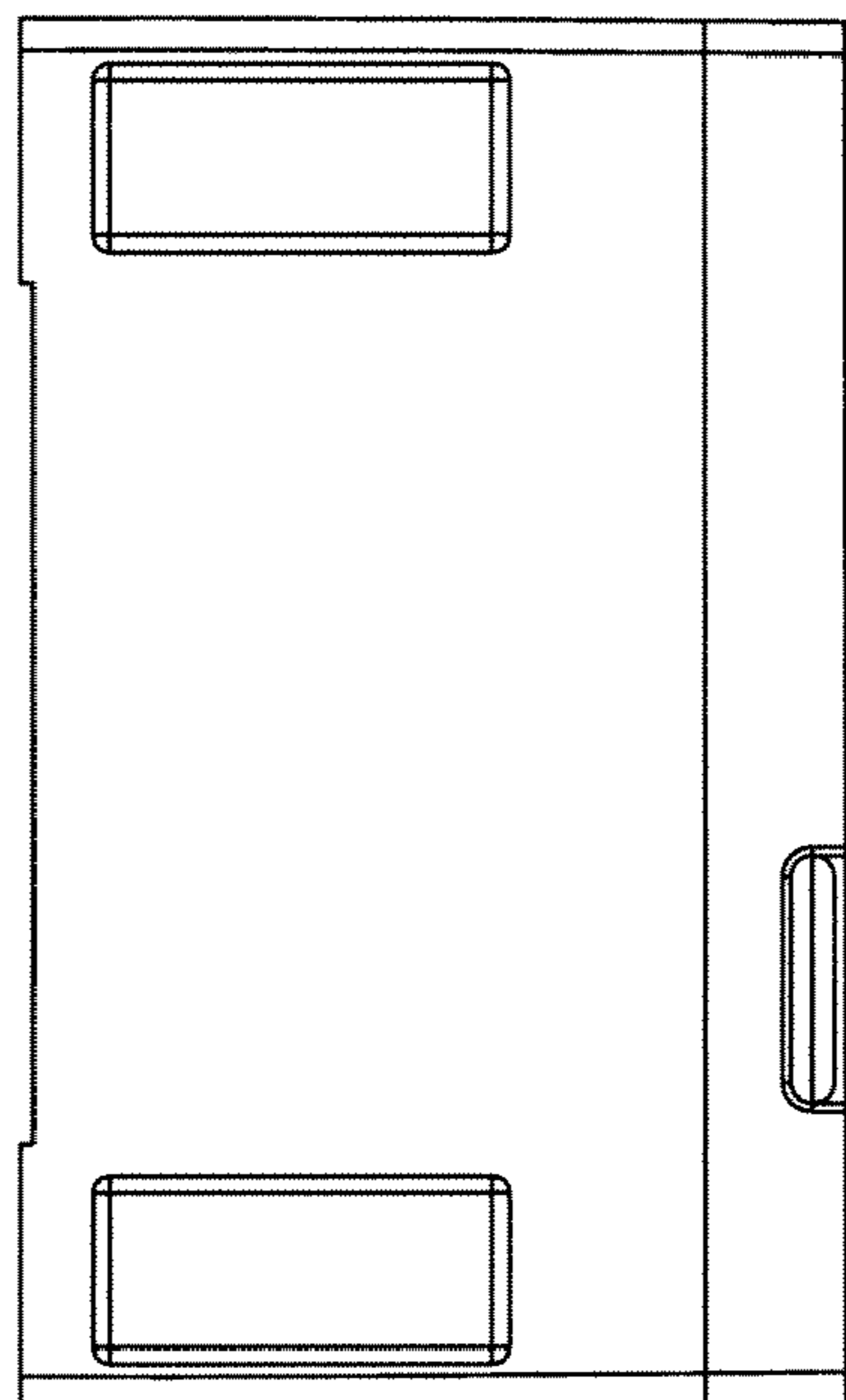


FIG. 9

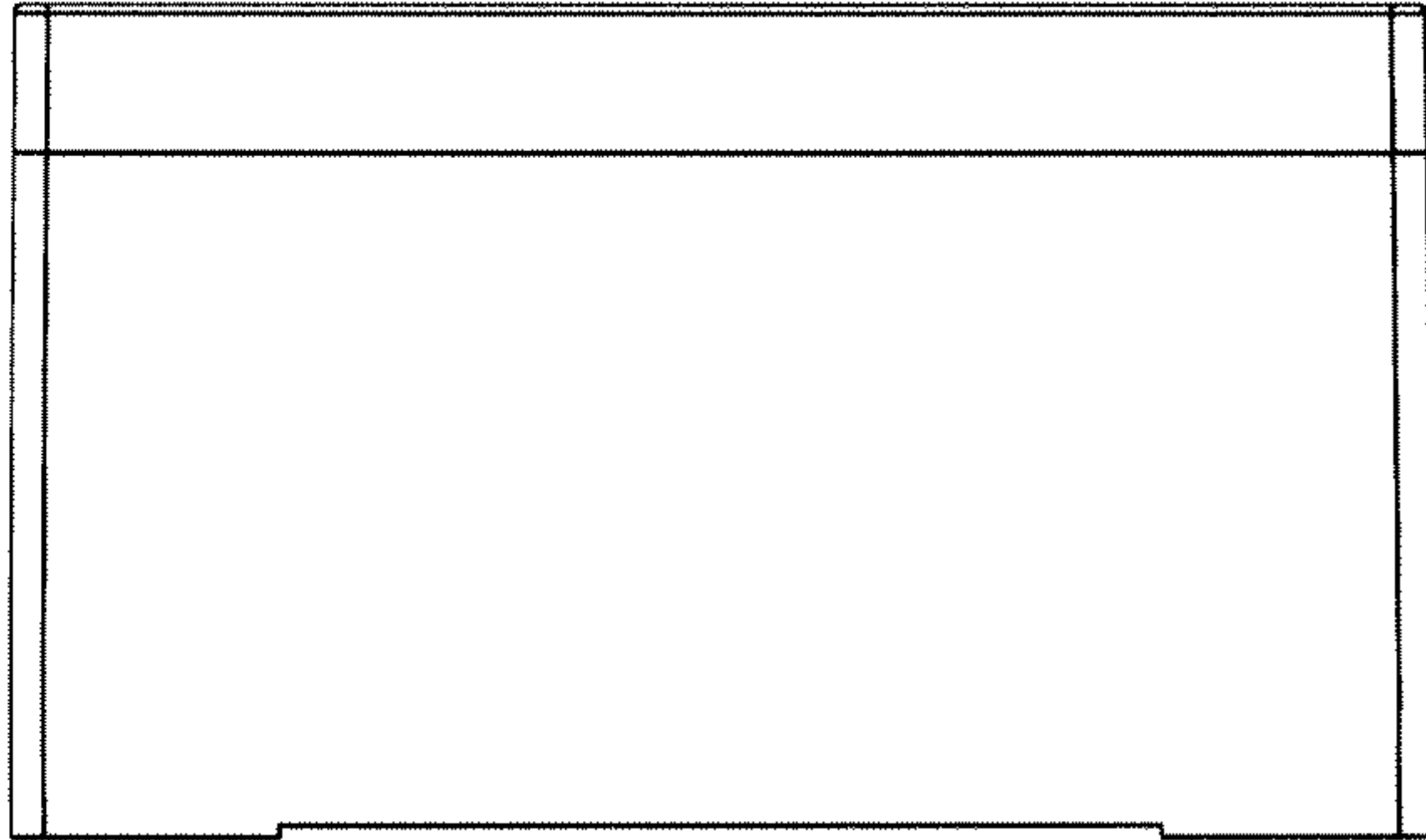


FIG. 10

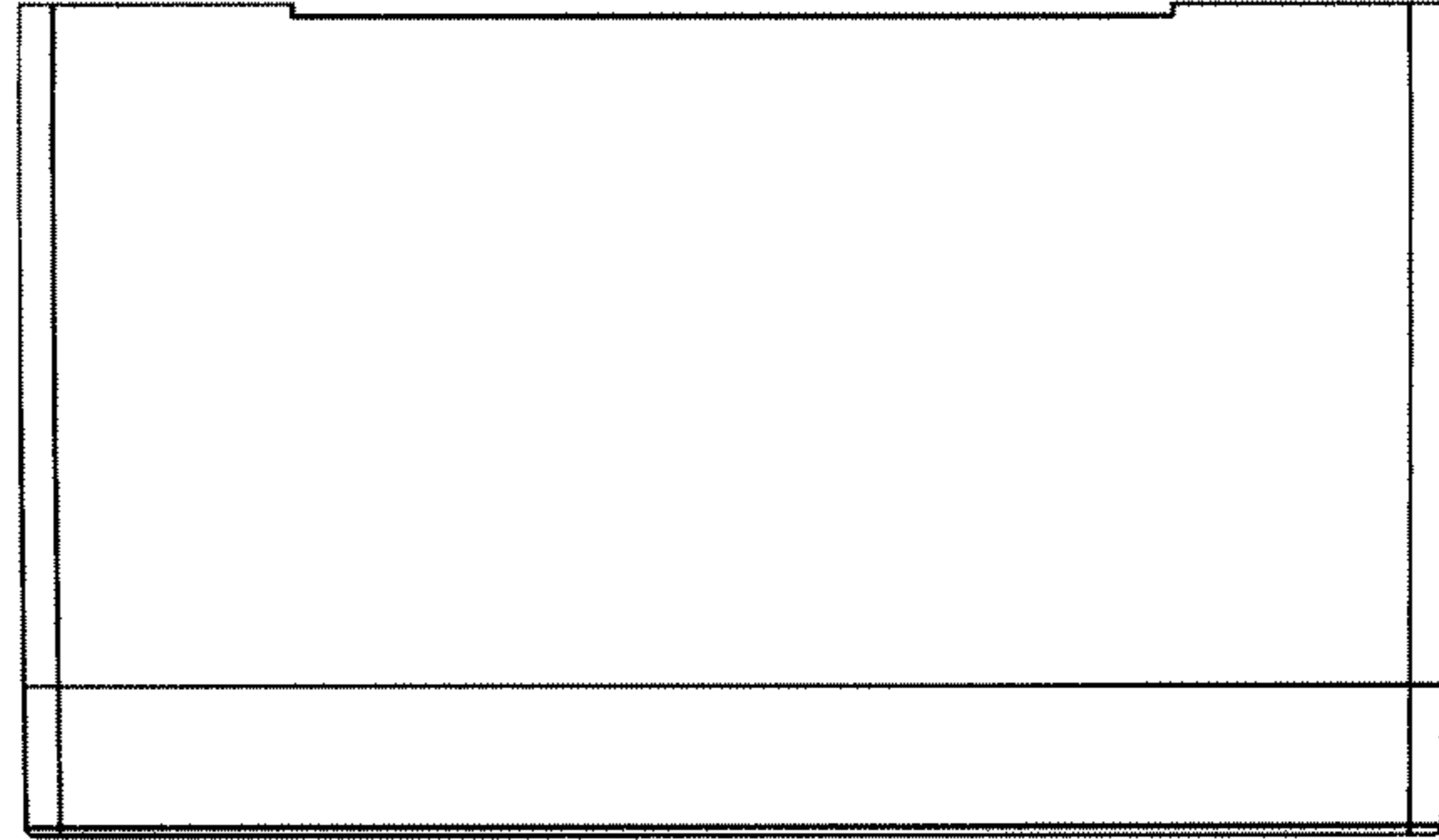


FIG. 11

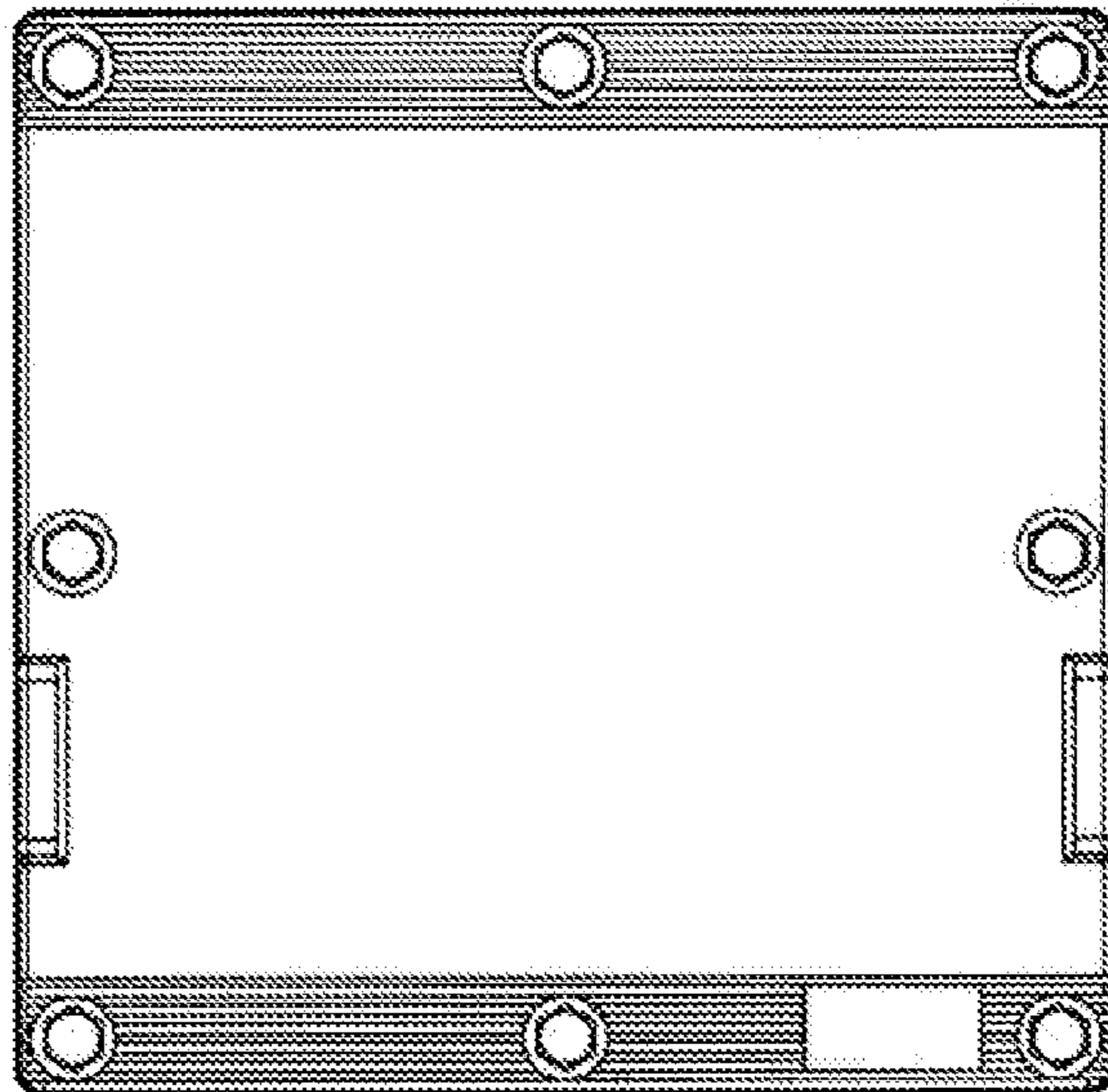


FIG. 12

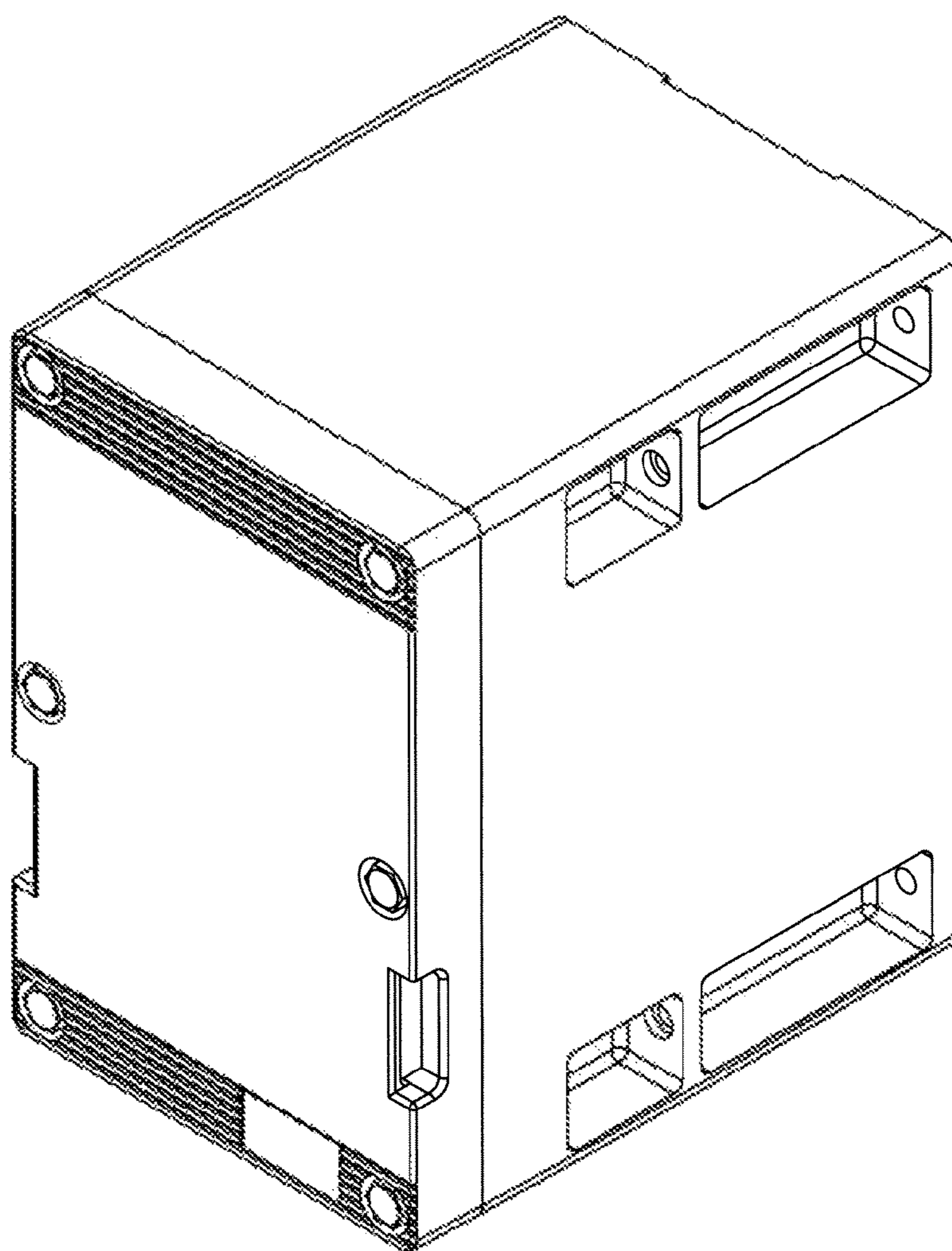


FIG. 13

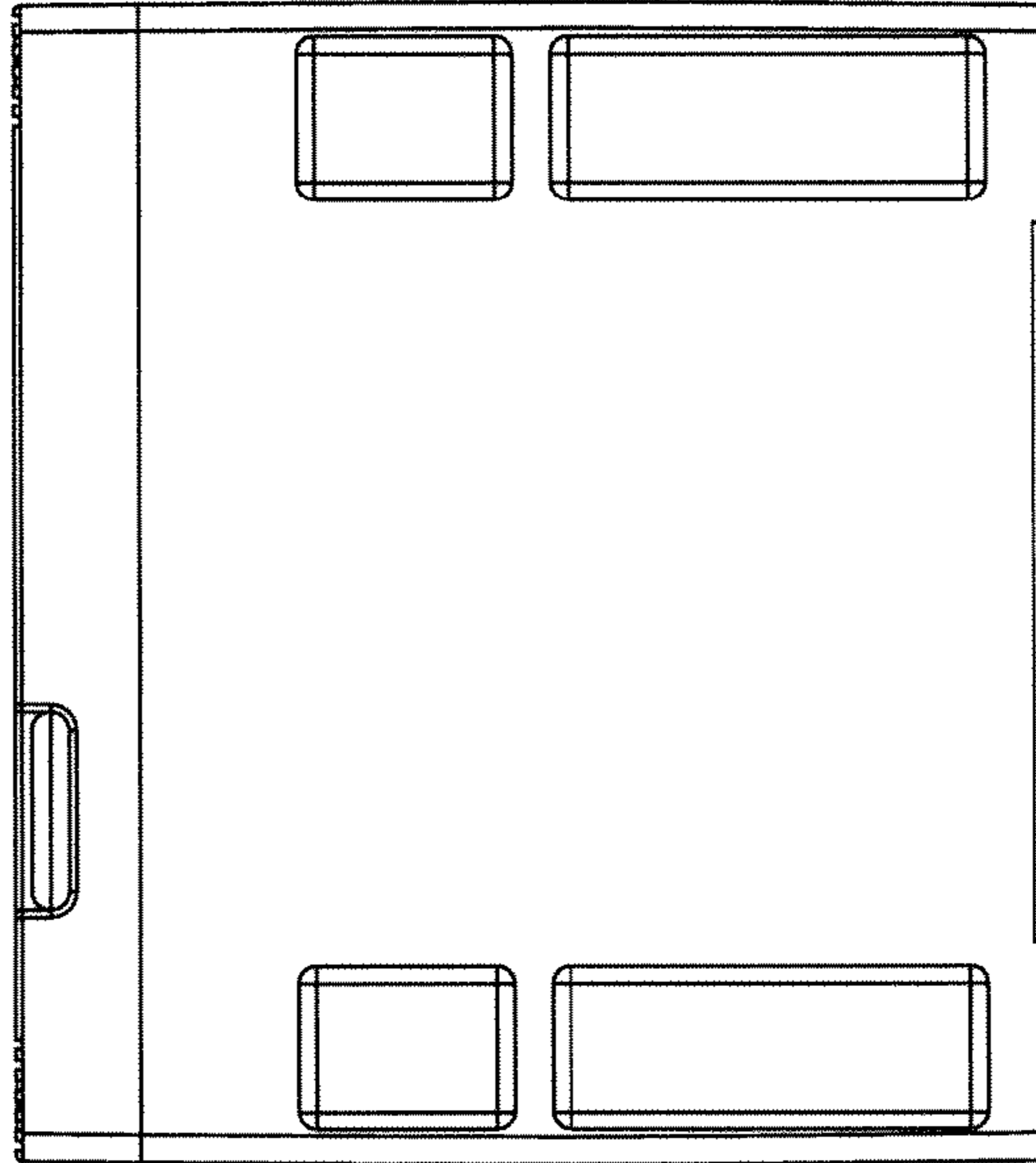


FIG. 14

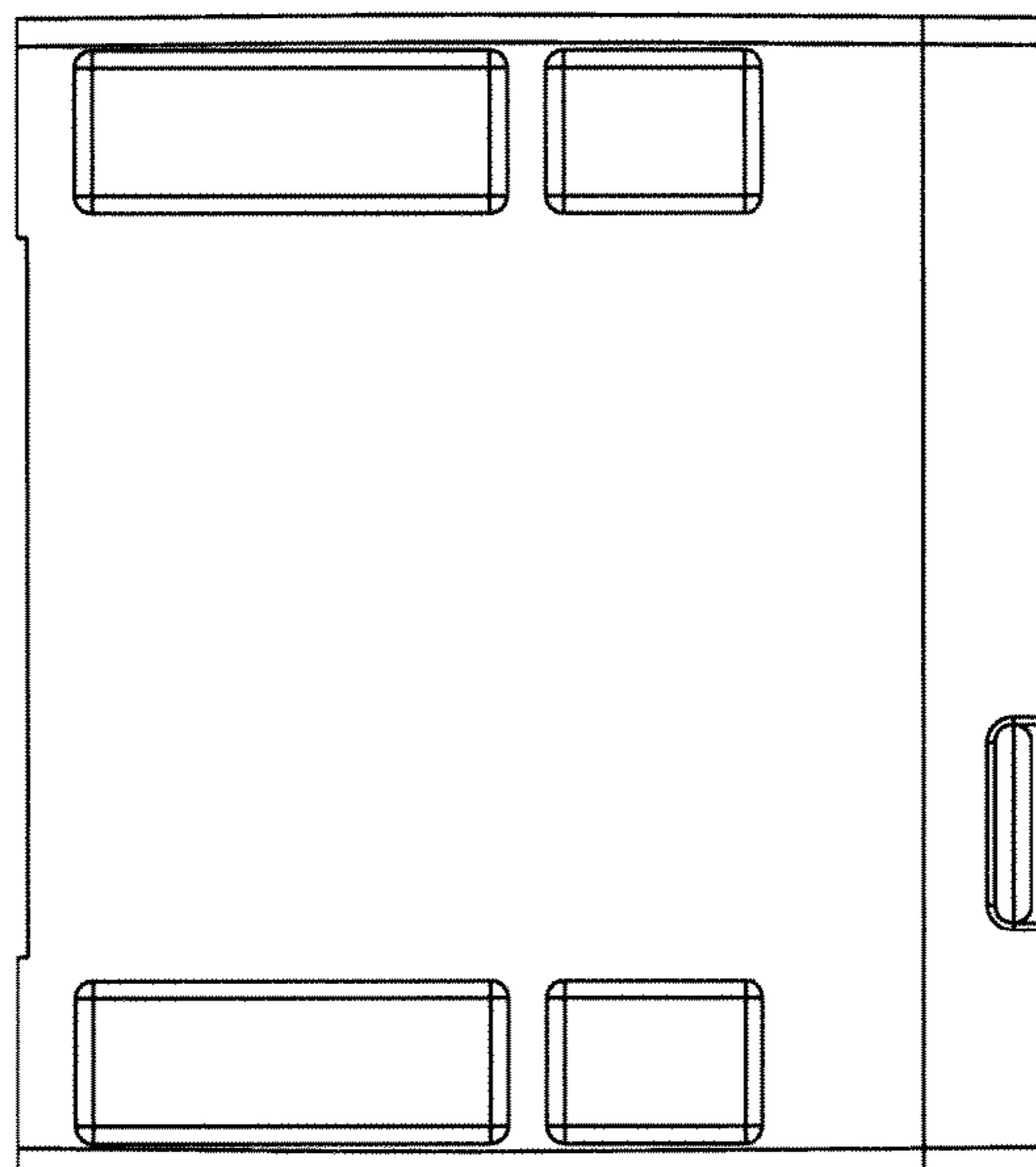


FIG. 15

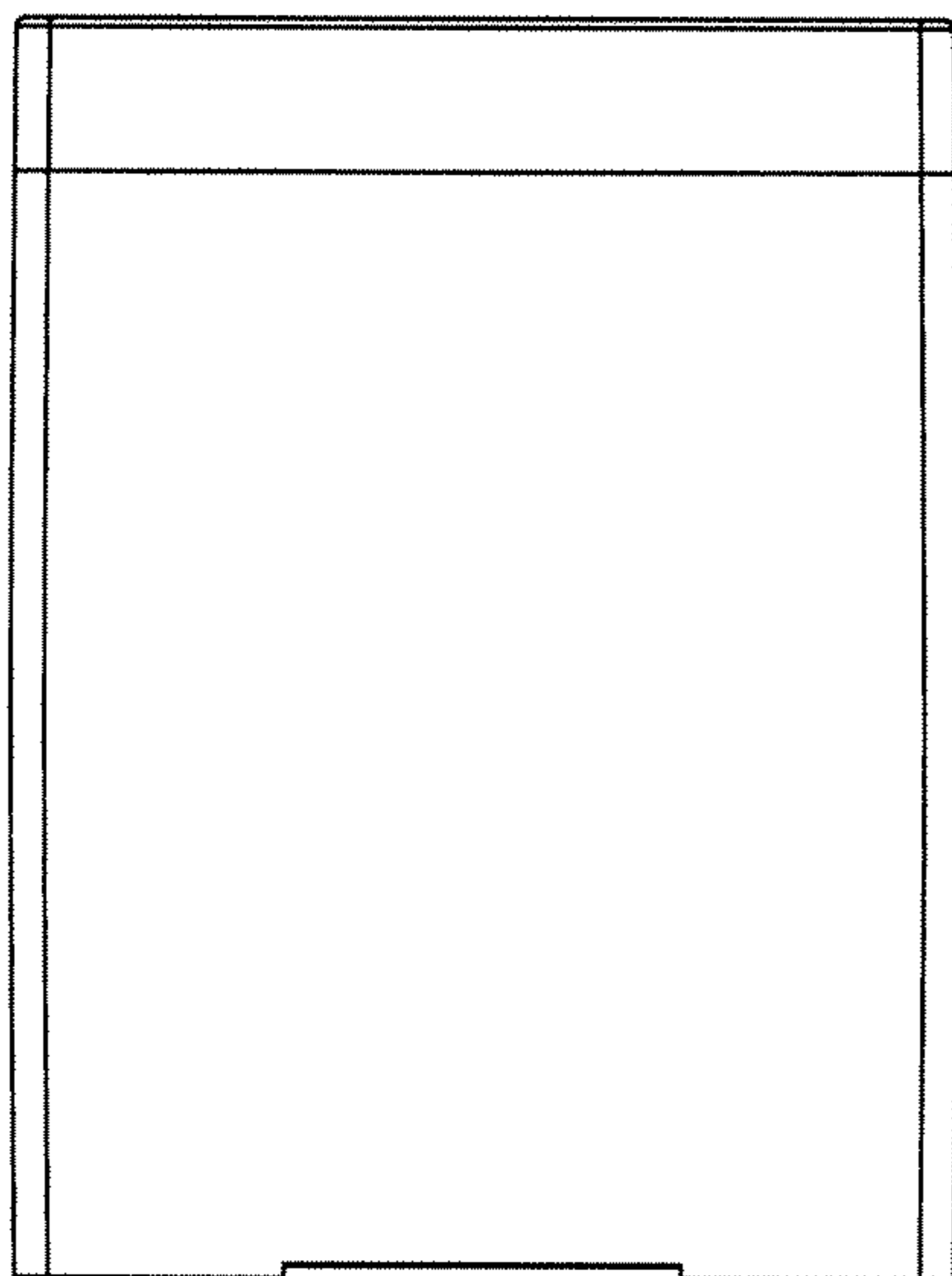


FIG. 16

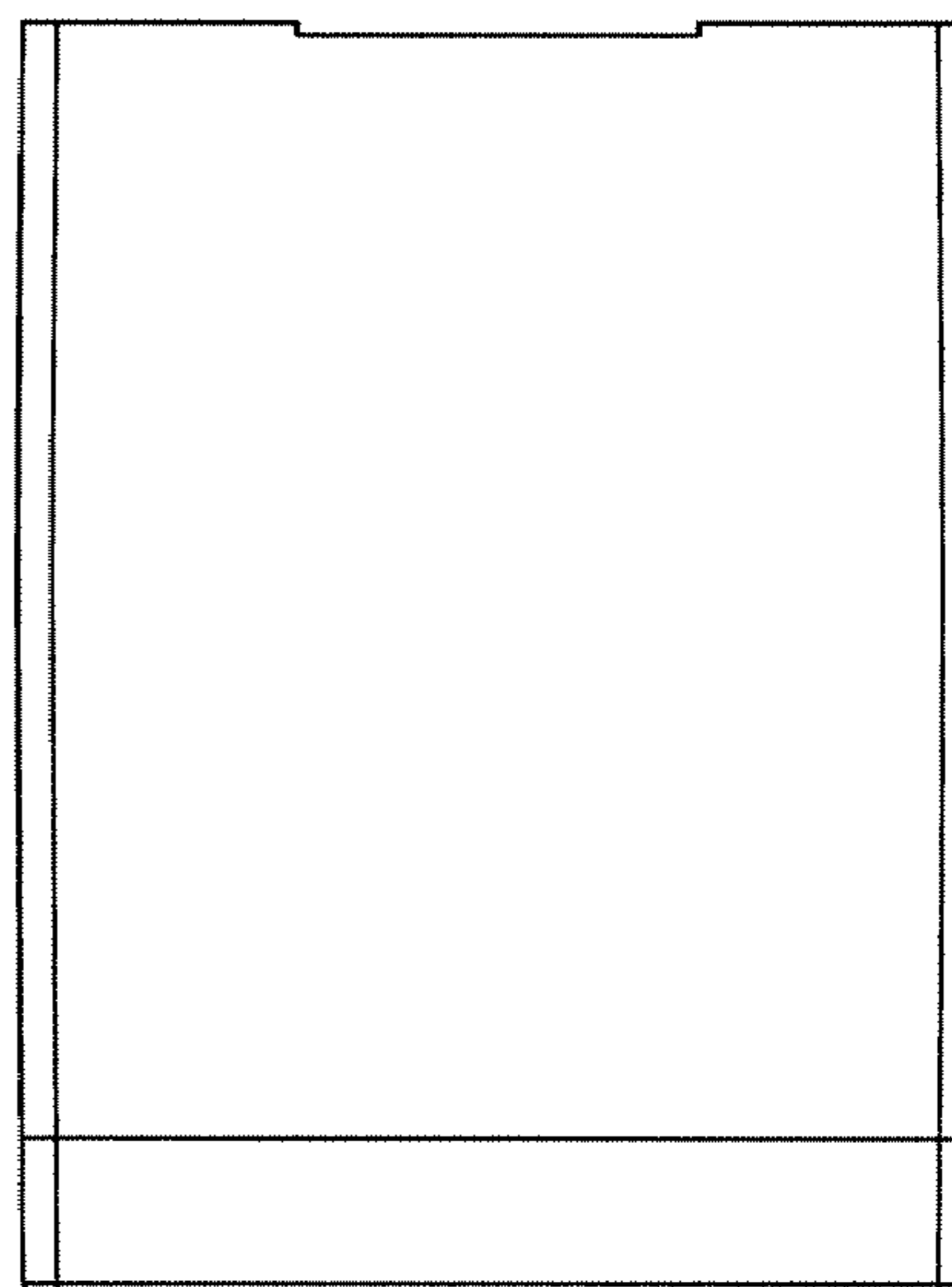


FIG. 17

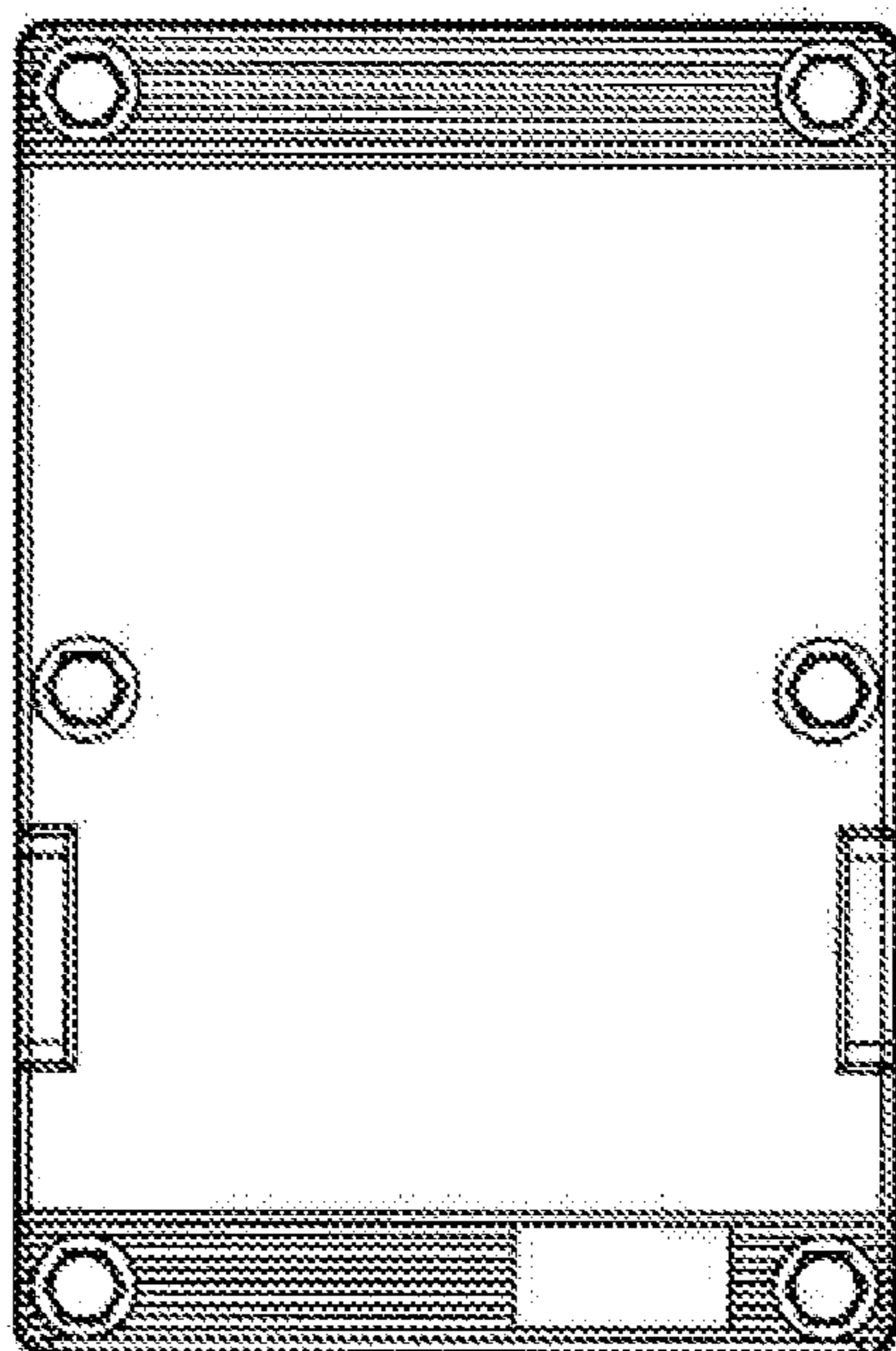


FIG. 18