



US00D666974S

(12) **United States Design Patent**
Marroquin et al.

(10) **Patent No.:** **US D666,974 S**

(45) **Date of Patent:** **** Sep. 11, 2012**

(54) **Y-JUNCTION INTERCONNECT MODULE**

6,050,840 A 4/2000 Kowalski et al.
6,074,238 A 6/2000 DeRoss et al.
6,111,189 A 8/2000 Garvison et al.

(75) Inventors: **Marco A. Marroquin**, Austin, TX (US);
Thomas P. Parker, Dallas, TX (US);
Stephen P. Wurmlinger, Scurry, TX
(US)

(Continued)

FOREIGN PATENT DOCUMENTS

EP 1837985 A2 9/2007

(73) Assignee: **SolarBridge Technologies, Inc.**, Austin,
TX (US)

OTHER PUBLICATIONS

“Power Cords”, Hosa Technology, Inc., www.hosatech.com, Aug.
2010, 1 page.

(**) Term: **14 Years**

(Continued)

(21) Appl. No.: **29/375,595**

Primary Examiner — Daniel Bui

(22) Filed: **Sep. 24, 2010**

(74) *Attorney, Agent, or Firm* — Barnes & Thornburg LLP

(51) **LOC (9) Cl.** **13-03**

(52) **U.S. Cl.** **D13/147**

(58) **Field of Classification Search** D13/101,
D13/102, 118, 133, 146–147, 154, 184, 199;
439/180, 246, 252, 278, 287, 292, 344, 374,
439/379, 380, 381, 476.1, 527, 529, 533,
439/892, 894

(57) **CLAIM**

The ornamental design for a Y-junction interconnect module,
as shown and described.

See application file for complete search history.

DESCRIPTION

Cross-reference is made to co-pending U.S. Design patent
application Ser. No. 29/375,599 entitled “Male Connector,”
which was filed by Marco A. Marroquin now U.S. Pat. No.
D644,610, and co-pending U.S. Design patent application
Ser. No. 29/375,598 entitled “Female Connector,” which was
filed by Marco A. Marroquin, now U.S. Pat. No. D644,609,
each of which is incorporated herein by reference.

FIG. 1 is a top and front perspective view of a Y-junction
interconnect module showing our new design;

FIG. 2 is a front elevation view thereof, with the rear elevation
view being a mirror image of FIG. 2;

FIG. 3 is a top plan view thereof;

FIG. 4 is a bottom plan view thereof;

FIG. 5 is a first side elevation view thereof; and,

FIG. 6 is a second side elevation view thereof.

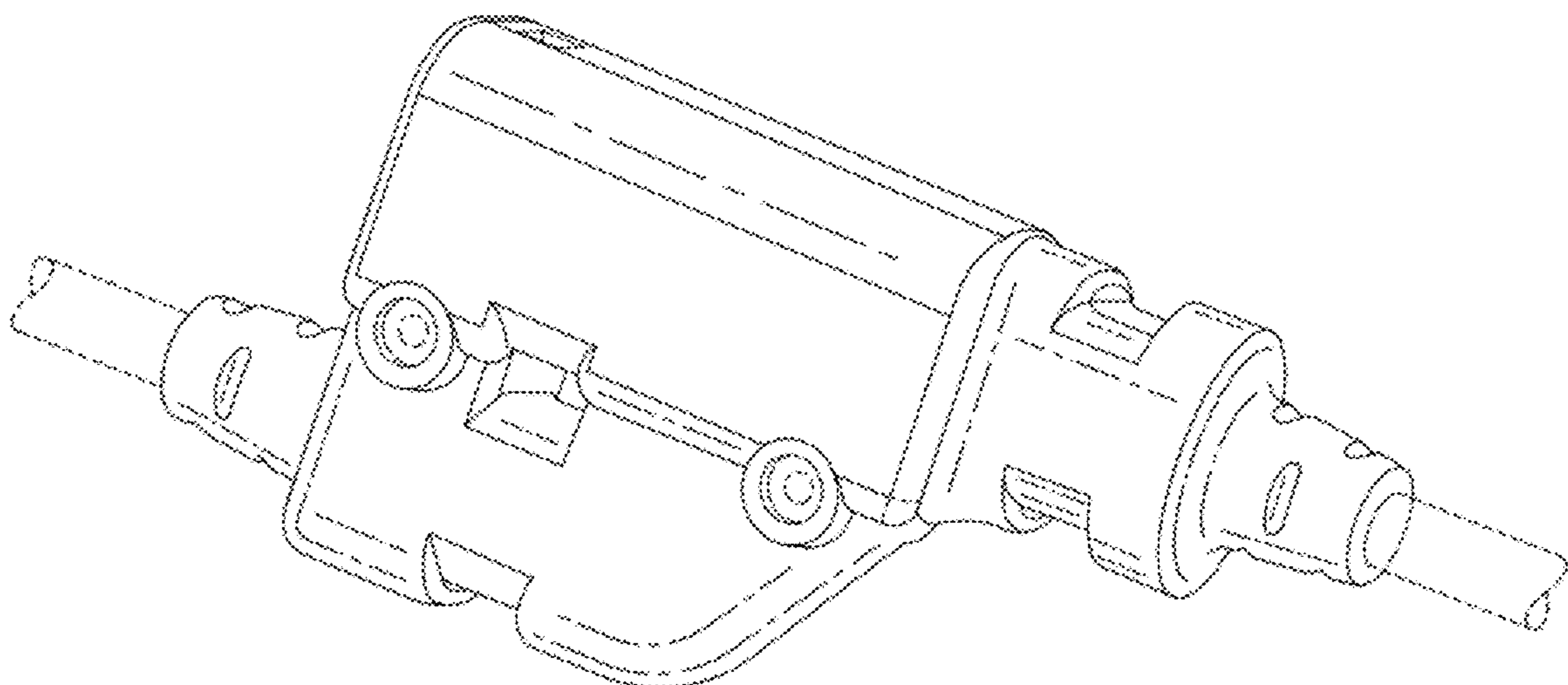
The broken line in the drawing views is included to show
unclaimed environment only and forms no part of the claimed
design.

(56) **References Cited**

U.S. PATENT DOCUMENTS

1,767,262 A 6/1930 Schmitz
D161,900 S 2/1951 Burt et al.
D227,990 S * 7/1973 Brinser et al. D13/133
4,114,048 A 9/1978 Hull et al.
4,255,007 A 3/1981 Michaels et al.
4,917,632 A 4/1990 Smith
4,971,576 A 11/1990 Thimmesch
5,191,519 A 3/1993 Kawakami
5,473,528 A 12/1995 Hirata et al.
5,745,356 A 4/1998 Tassitino, Jr. et al.
D395,282 S * 6/1998 Rudoy et al. D13/133
5,855,494 A 1/1999 Blaszczyk et al.
5,886,890 A 3/1999 Ishida et al.
D410,625 S * 6/1999 Kerek et al. D13/133
5,951,785 A 9/1999 Uchihashi et al.
6,046,400 A 4/2000 Drummer

1 Claim, 5 Drawing Sheets



U.S. PATENT DOCUMENTS

D436,920 S * 1/2001 Lee D13/133
 D436,935 S * 1/2001 Feucht D13/184
 6,201,180 B1 3/2001 Meyer et al.
 D445,090 S 7/2001 Payne et al.
 6,268,559 B1 7/2001 Yamawaki
 6,285,572 B1 9/2001 Onizuka et al.
 6,291,764 B1 9/2001 Ishida et al.
 6,356,471 B1 3/2002 Fang
 6,381,157 B2 4/2002 Jensen
 6,422,891 B1 7/2002 Huang
 D472,523 S 4/2003 Hansen
 6,593,521 B2 7/2003 Kobayashi
 6,713,890 B2 3/2004 Kondo et al.
 6,750,391 B2 6/2004 Bower et al.
 6,791,024 B2 9/2004 Toyomura
 6,838,611 B2 1/2005 Kondo et al.
 6,897,370 B2 5/2005 Kondo et al.
 D511,747 S 11/2005 Rey et al.
 7,018,230 B2 3/2006 Shimirak
 7,042,110 B2 5/2006 Mikhail et al.
 D527,346 S 8/2006 Brodin
 7,297,866 B2 11/2007 Aschenbrenner
 D559,785 S 1/2008 Tosetti
 7,342,171 B2 3/2008 Khouri et al.
 7,387,537 B1 6/2008 Daily et al.
 7,405,494 B2 7/2008 Tassitino, Jr. et al.
 D585,837 S 2/2009 Kuehne et al.
 D599,741 S 9/2009 Meldert et al.
 7,638,899 B2 12/2009 Tracy et al.
 7,839,022 B2 11/2010 Wolfs
 7,874,860 B2 1/2011 Starke et al.
 7,899,632 B2 3/2011 Fornage et al.
 2006/0083039 A1 4/2006 Oliveira et al.
 2007/0221267 A1 9/2007 Fornage
 2007/0295392 A1 12/2007 Cinnamon
 2007/0295393 A1 12/2007 Cinnamon
 2008/0078436 A1 4/2008 Nachamkin et al.
 2008/0194137 A1 8/2008 Kuo
 2008/0283118 A1 11/2008 Rotzoll et al.
 2009/0020151 A1 1/2009 Fornage
 2009/0084426 A1 4/2009 Fornage et al.
 2009/0147554 A1 6/2009 Adest et al.
 2009/0200994 A1 8/2009 Fornage

2009/0242272 A1 10/2009 Little et al.
 2009/0296348 A1 12/2009 Russell et al.
 2010/0139945 A1 6/2010 Dargatz
 2010/0175338 A1 7/2010 Garcia Cors
 2010/0181830 A1 7/2010 Fornage et al.
 2010/0195357 A1 8/2010 Fornage et al.
 2010/0263704 A1 10/2010 Fornage et al.
 2010/0283325 A1 11/2010 Marcianesi et al.
 2010/0309695 A1 12/2010 Fornage
 2011/0012429 A1 1/2011 Fornage
 2011/0019444 A1 1/2011 Dargatz et al.

OTHER PUBLICATIONS

“Power Cord, Piggyback IEC C13 to NEMA 5-15P, 2 ft”, Hosa Technology, Inc., www.hosatech.com, Aug. 2010 1 page.
 “Daisy Chain Power Cord Liberator, 12in”, CableOrganizer.com, Inc., www.cableorganizer.com, Aug. 2010, 1 page.
 “DTCC Connector Division—Geophysical”, Dynamic Technologies Co., Ltd., www.dynamictech.biz, Aug. 2010, 4 pages.
 “DaisyLink System”, Electri-Cable Assemblies, Inc., www.electri-cable.com, Aug. 2010, 2 pages.
 Bower et al., “Innovative PV Micro-inverter Topology Eliminates Electrolytic Capacitors for Longer Lifetime,” Conference Record of the 2006 IEEE 4th World Conference on Photovoltaic Energy Conversion, vol. 2, pp. 2038-2041, May 2006.
 Enphase Energy, “Application Note: Multi-Tenant Design Guidelines,” rev. 1, 5 pages, 2008.
 Enphase Energy, “Enphase Field Wiring Diagram—M190 & M210 Microinverters—240v, Single Phase,” Drawing No. 144-00001, rev. 6, 1 page, 2009.
 Enphase Energy, “Enphase Quick Install Guide,” Doc. No. 140-00001, rev. 06, 1 page, 2009.
 Rodriguez et al., “Long-Lifetime Power Inverter for Photovoltaic AC Modules,” IEEE Transaction on Industrial Electronics, vol. 55, No. 7, pp. 2593-2601, Jul. 2008.
 Hoffner et al., “A PV Window Awning System on the University of Texas Houston Health Science Center using AC-modules,” Conference Record of the Twenty-Eighth IEEE Photovoltaic Specialists Conference, pp. 1545-1547, 2000.

* cited by examiner

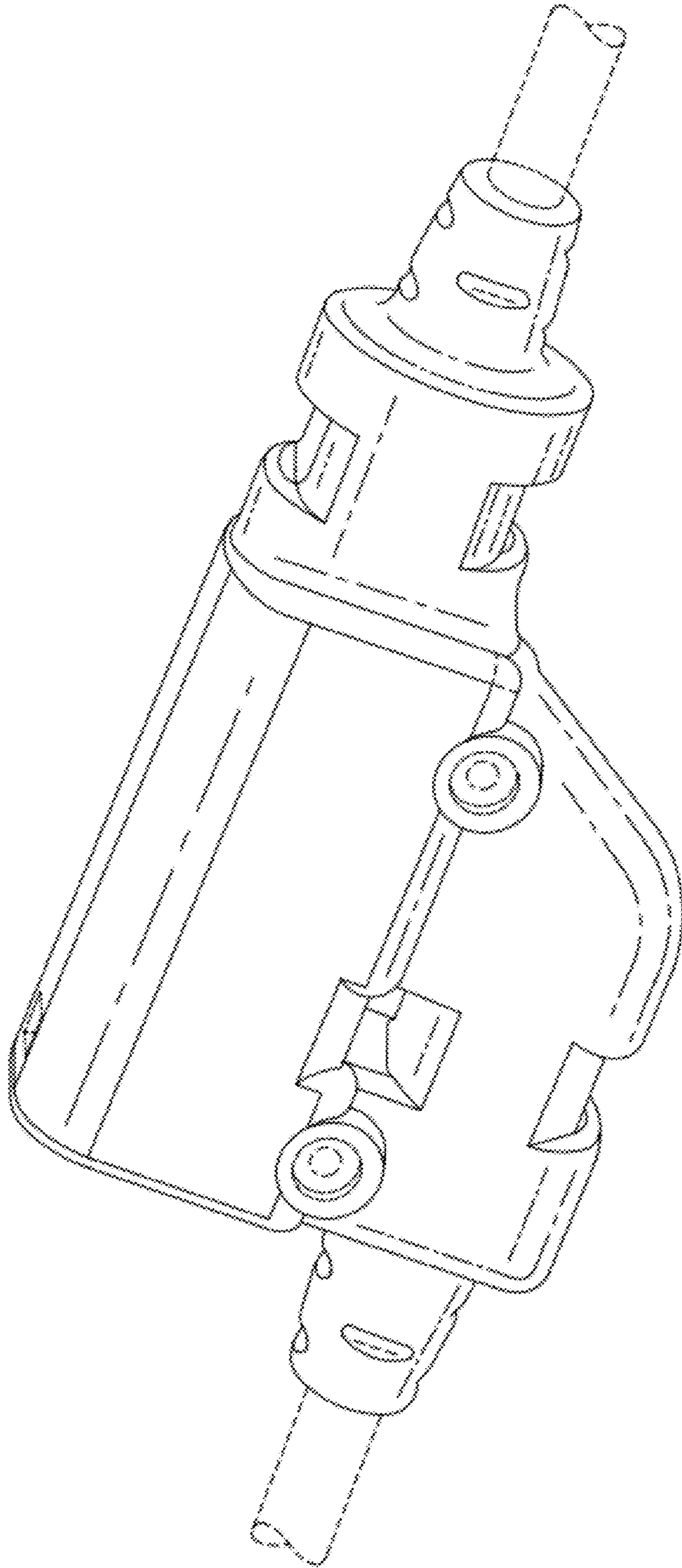


Fig. 1

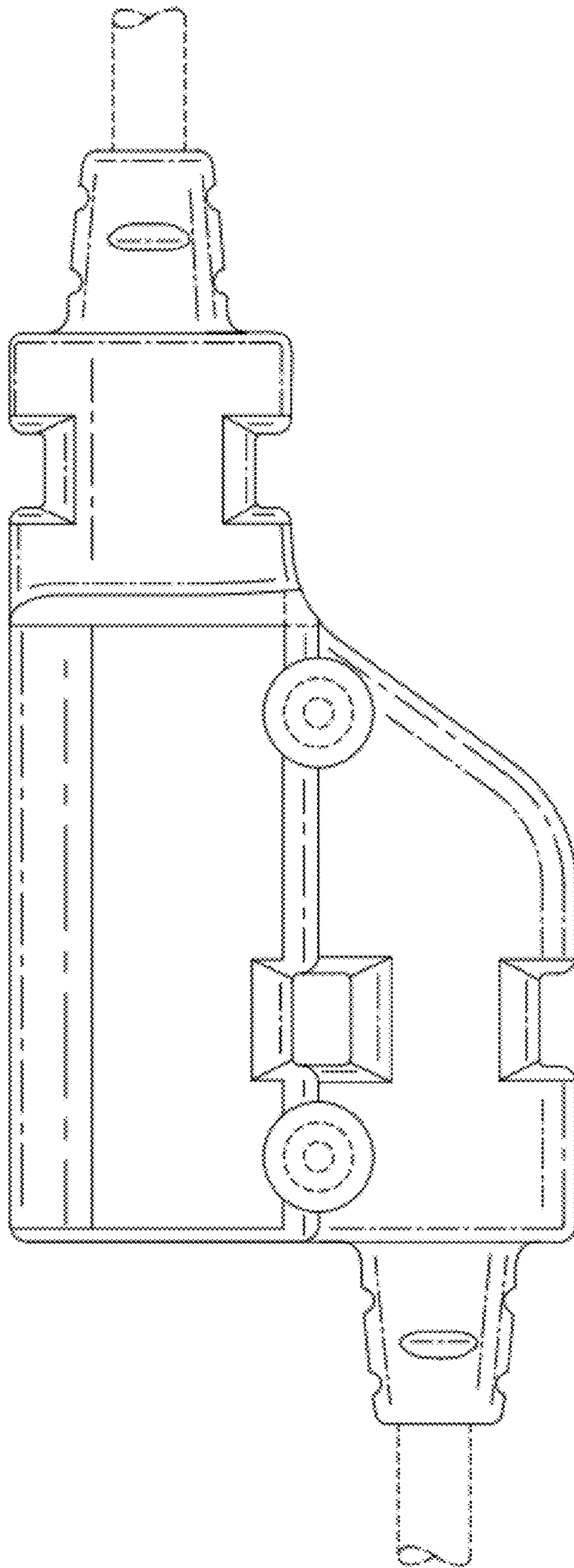


Fig. 2

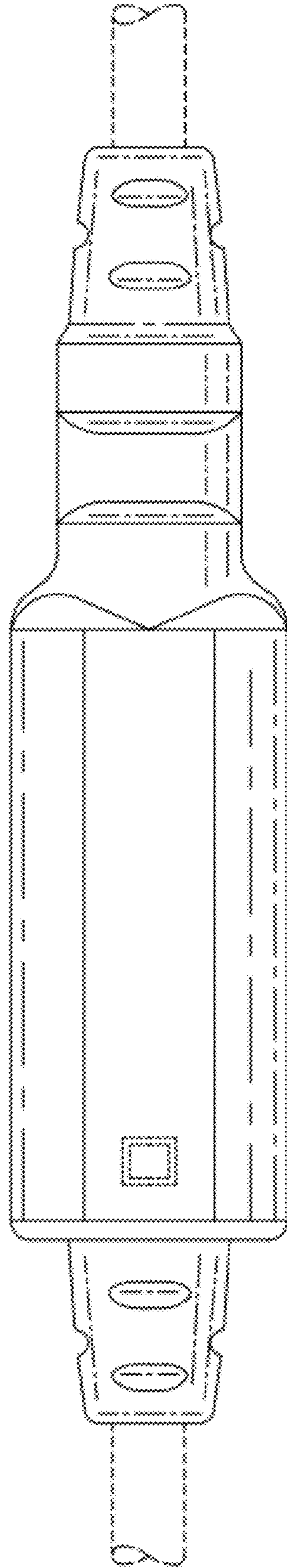


Fig. 3

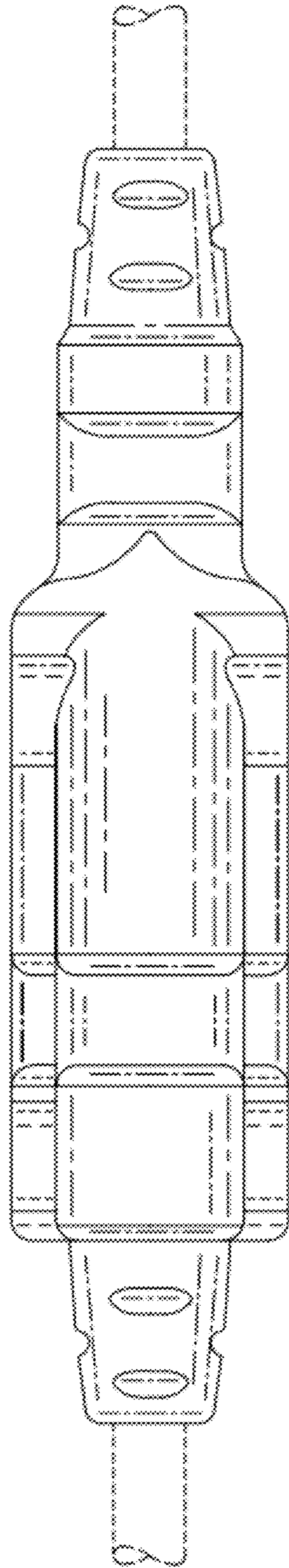


Fig. 4

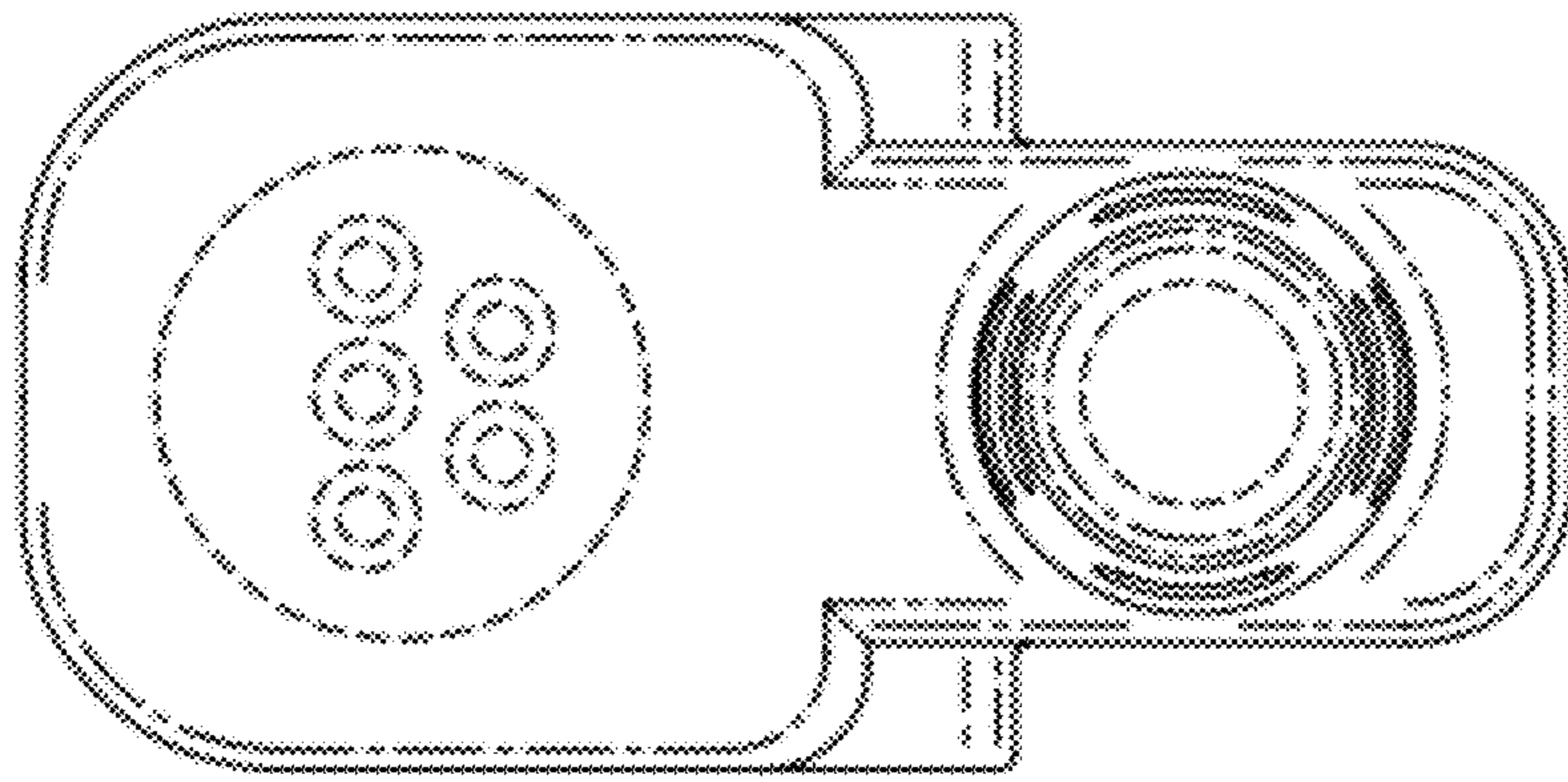


Fig. 5

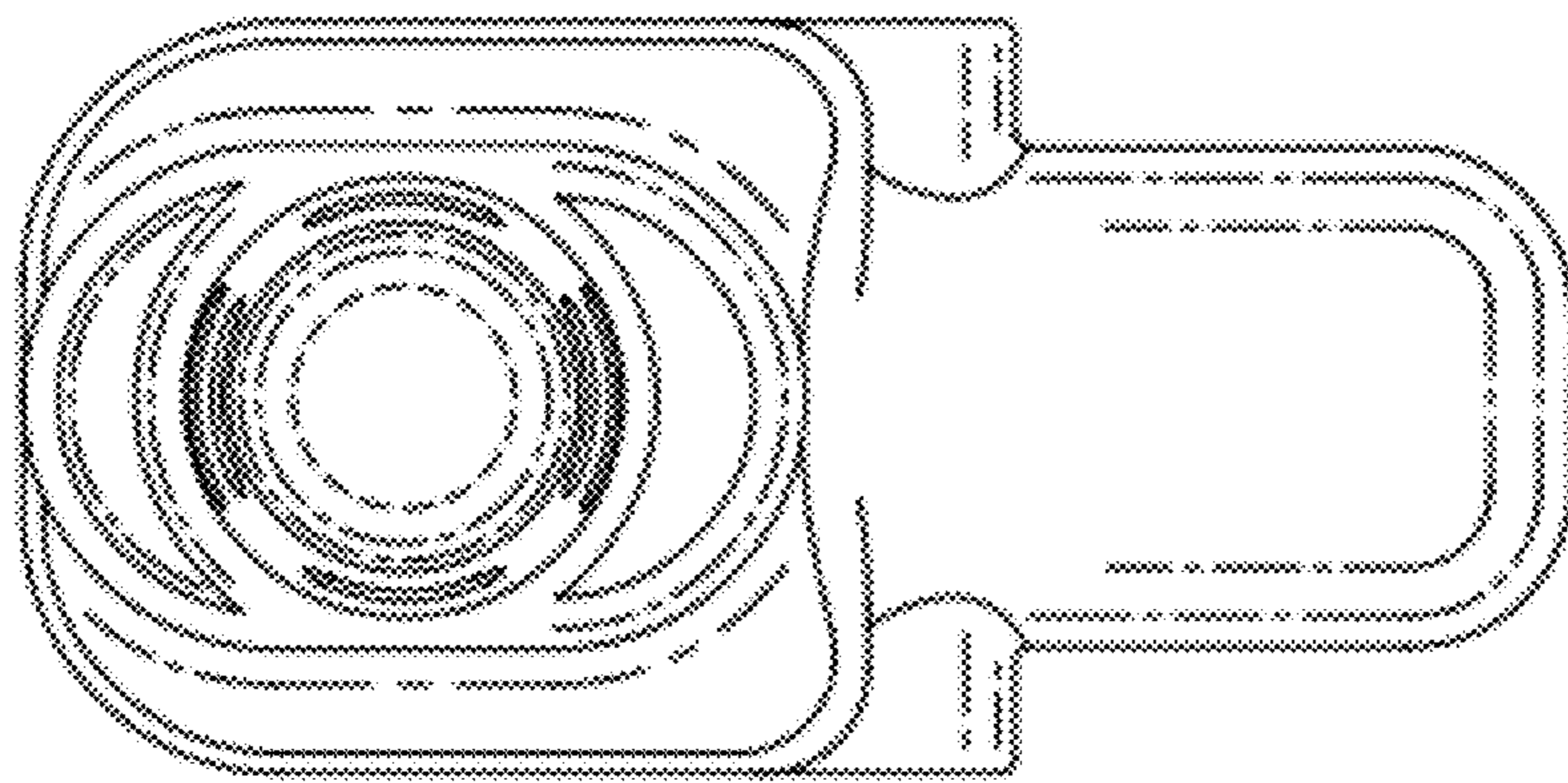


Fig. 6