



US00D666972S

(12) **United States Design Patent**
Kuo

(10) **Patent No.:** **US D666,972 S**

(45) **Date of Patent:** **** Sep. 11, 2012**

(54) **POWER SOCKET**

(75) Inventor: **Ming-Chou Kuo**, Taipei (TW)

(73) Assignee: **Powertech Industrial Co., Ltd.**, Taipei
Hsien (TW)

(**) Term: **14 Years**

(21) Appl. No.: **29/377,221**

(22) Filed: **Oct. 19, 2010**

(51) **LOC (9) Cl.** **13-03**

(52) **U.S. Cl.** **D13/139.1**

(58) **Field of Classification Search** D13/137.1,
D13/137.2, 137.3, 137.4, 138.1, 138.2, 139.1,
D13/139.2, 139.3, 139.4, 139.5, 139.6, 139.7,
D13/139.8, 101, 110, 123, 107, 108, 133,
D13/154, 184, 199; 439/131, 166, 628, 101,
439/102, 105, 106, 108, 172, 173, 174, 175,
439/177, 476.1, 578, 583, 620.15, 620.17;
363/15, 146, 34; 307/151; 320/111, 114;
174/493, 494, 66, 67

See application file for complete search history.

(56) **References Cited**

U.S. PATENT DOCUMENTS

D284,852 S * 7/1986 Maloney D13/139.8
D357,460 S * 4/1995 Lovett D13/139.1

D367,643 S * 3/1996 Vardell D13/139.7
D380,733 S * 7/1997 Parshad D13/139.6
D435,516 S * 12/2000 Stekelenburg D13/139.8
D440,540 S * 4/2001 Loh D13/139.8
D537,041 S * 2/2007 Chesebro et al. D13/139.8
D549,654 S * 8/2007 Kent et al. D13/139.6
D549,655 S * 8/2007 Kent et al. D13/139.6
D626,071 S * 10/2010 Su et al. D13/139.8
D642,529 S * 8/2011 Su et al. D13/139.8
D645,404 S * 9/2011 Chuang D13/139.1

* cited by examiner

Primary Examiner — Angela J Lee

(74) *Attorney, Agent, or Firm* — Rosenberg, Klein & Lee

(57) **CLAIM**

The ornamental design for a “power socket,” as shown and described.

DESCRIPTION

FIG. 1 is a perspective view of a “power socket” showing my new design;

FIG. 2 is a front view thereof;

FIG. 3 is a rear view thereof;

FIG. 4 is a left side view thereof;

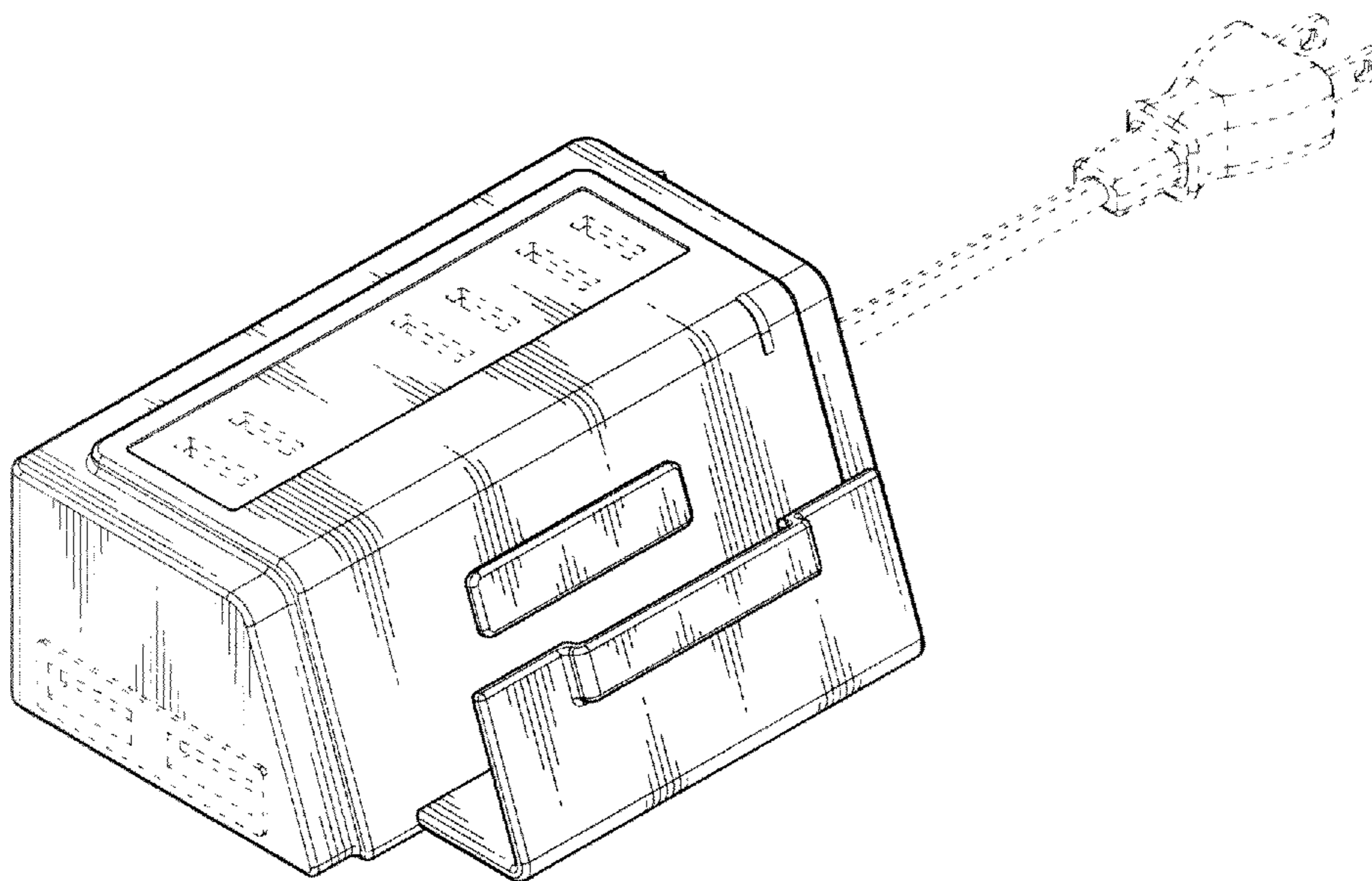
FIG. 5 is a right side view thereof;

FIG. 6 is a top view thereof; and,

FIG. 7 is a bottom view thereof.

The broken lines throughout the drawings are included for the purpose of illustrating portions of the subject matter that form no part of the claimed design.

1 Claim, 7 Drawing Sheets



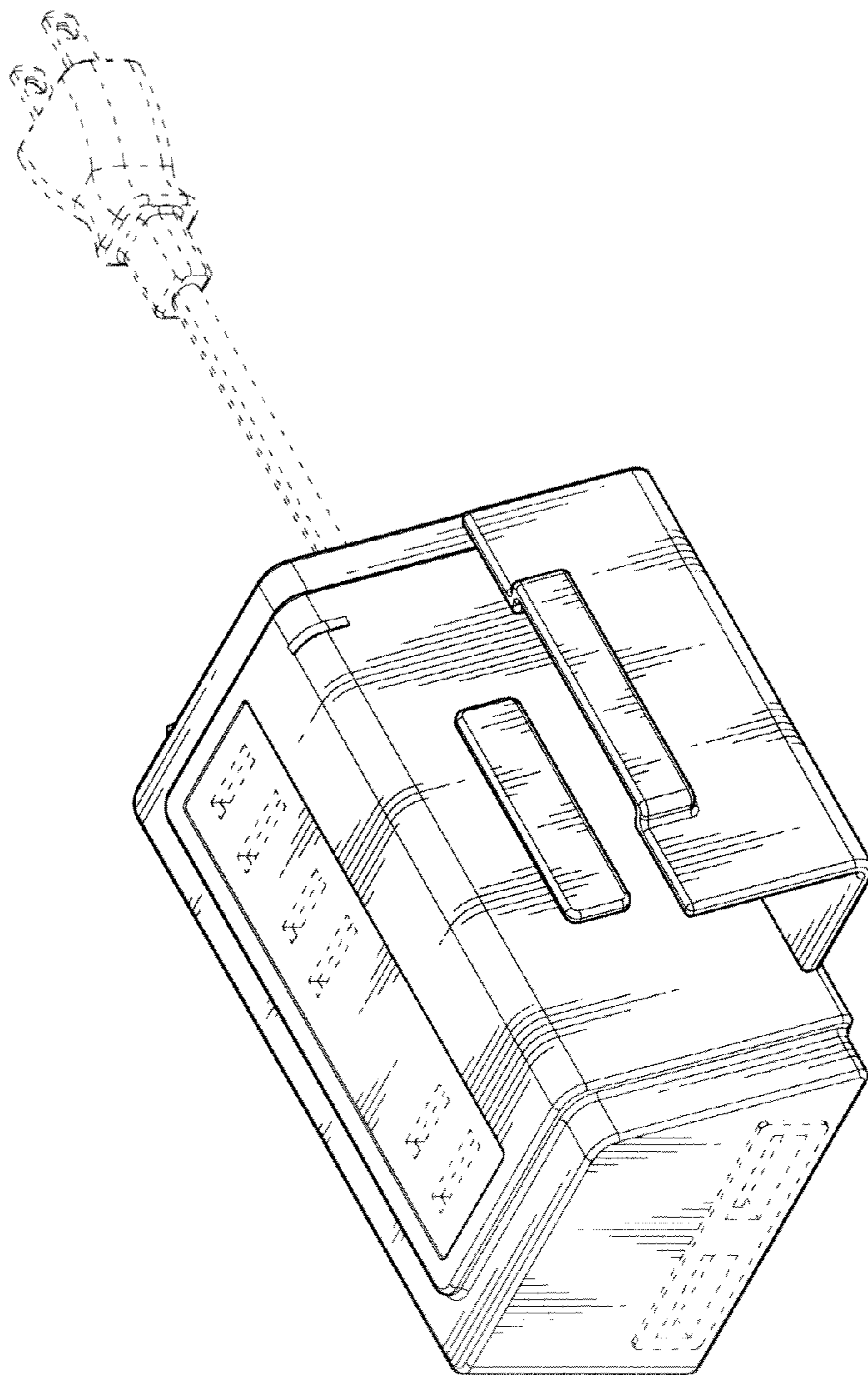


FIG. 1

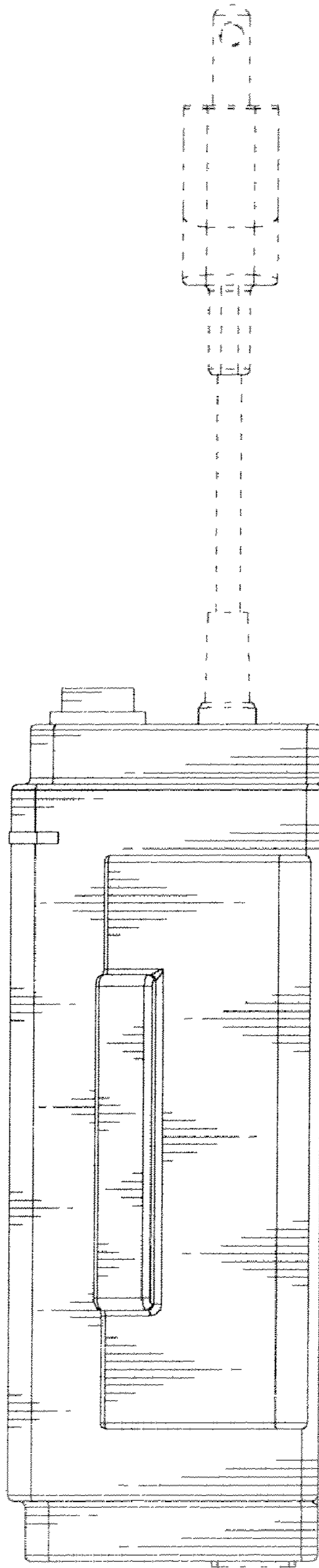


FIG. 2

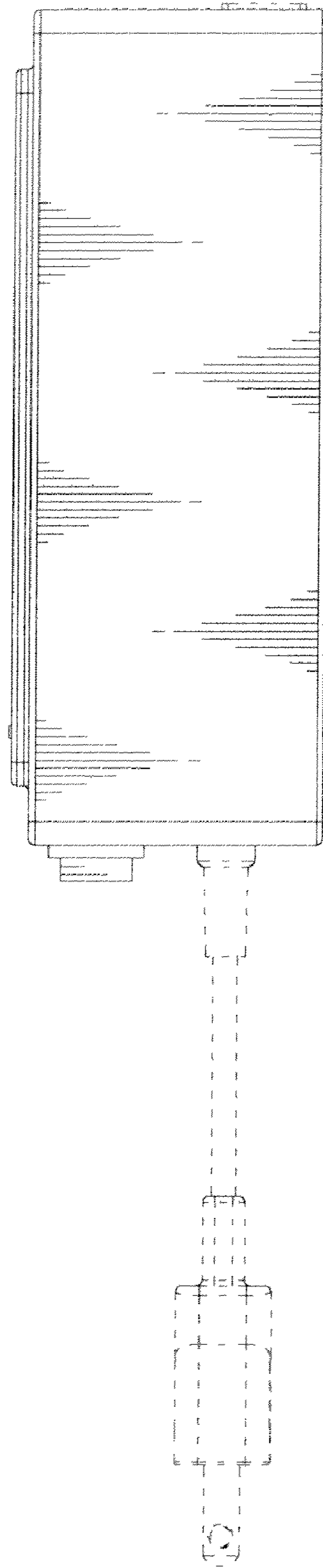


FIG. 3

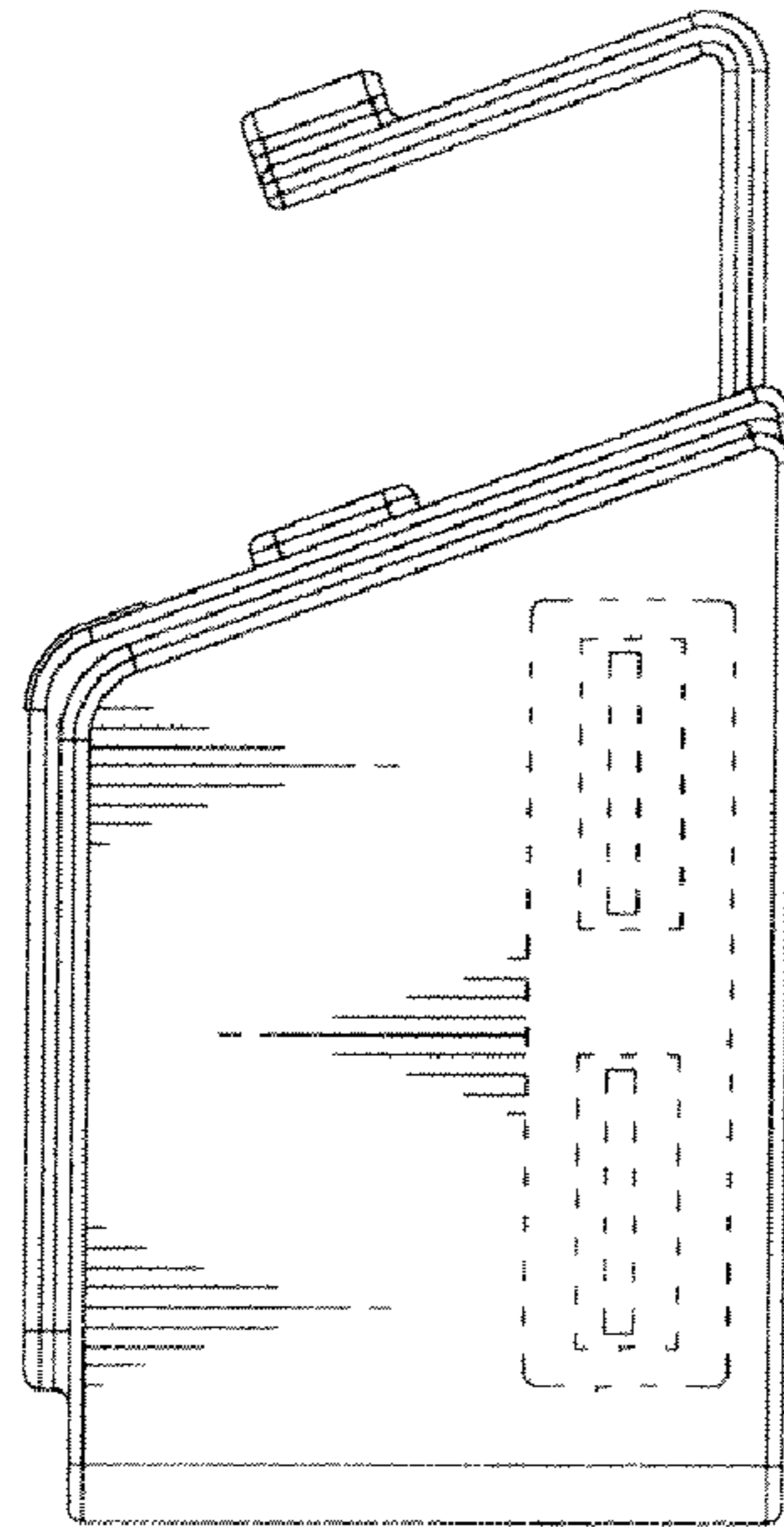


FIG. 4

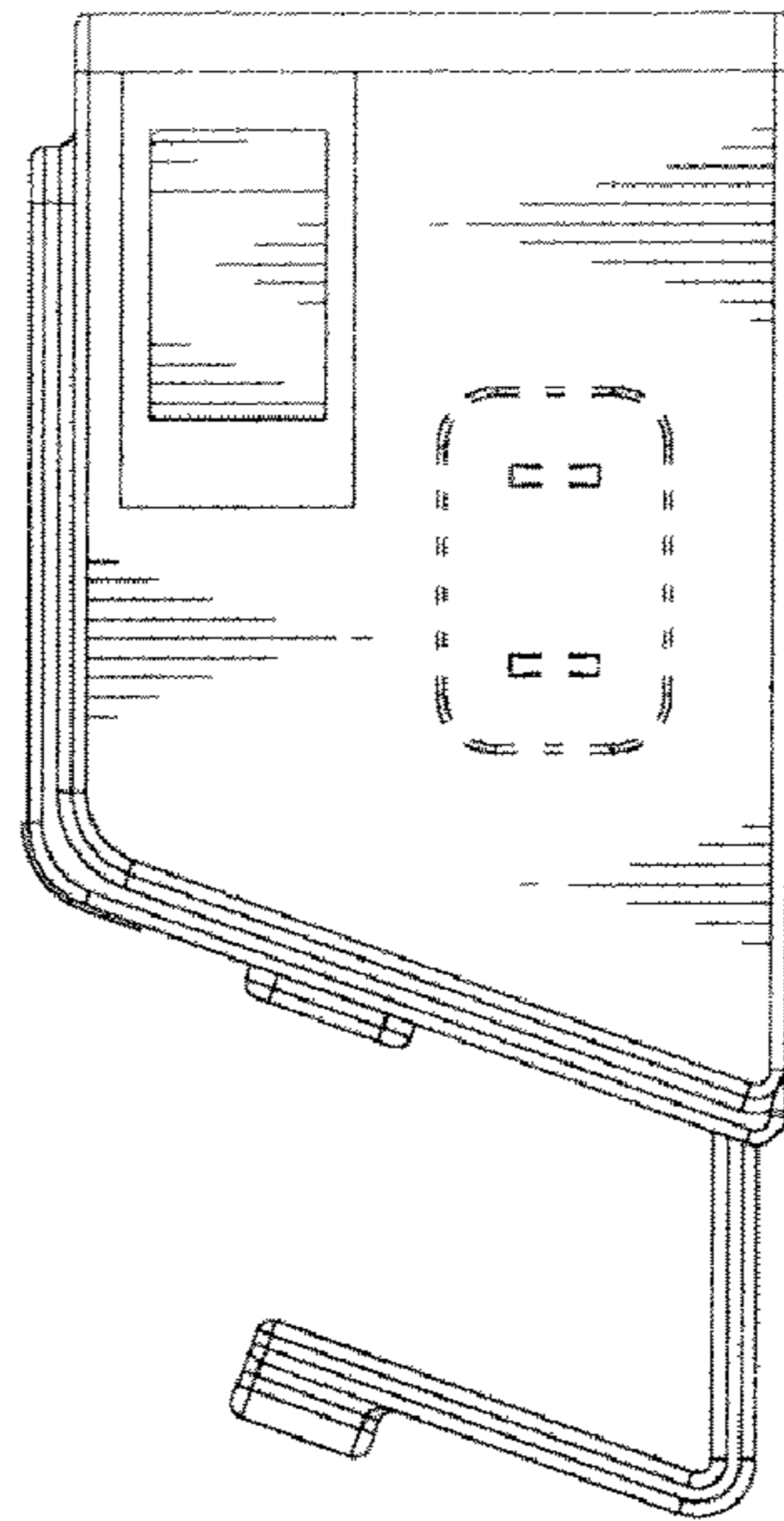


FIG. 5

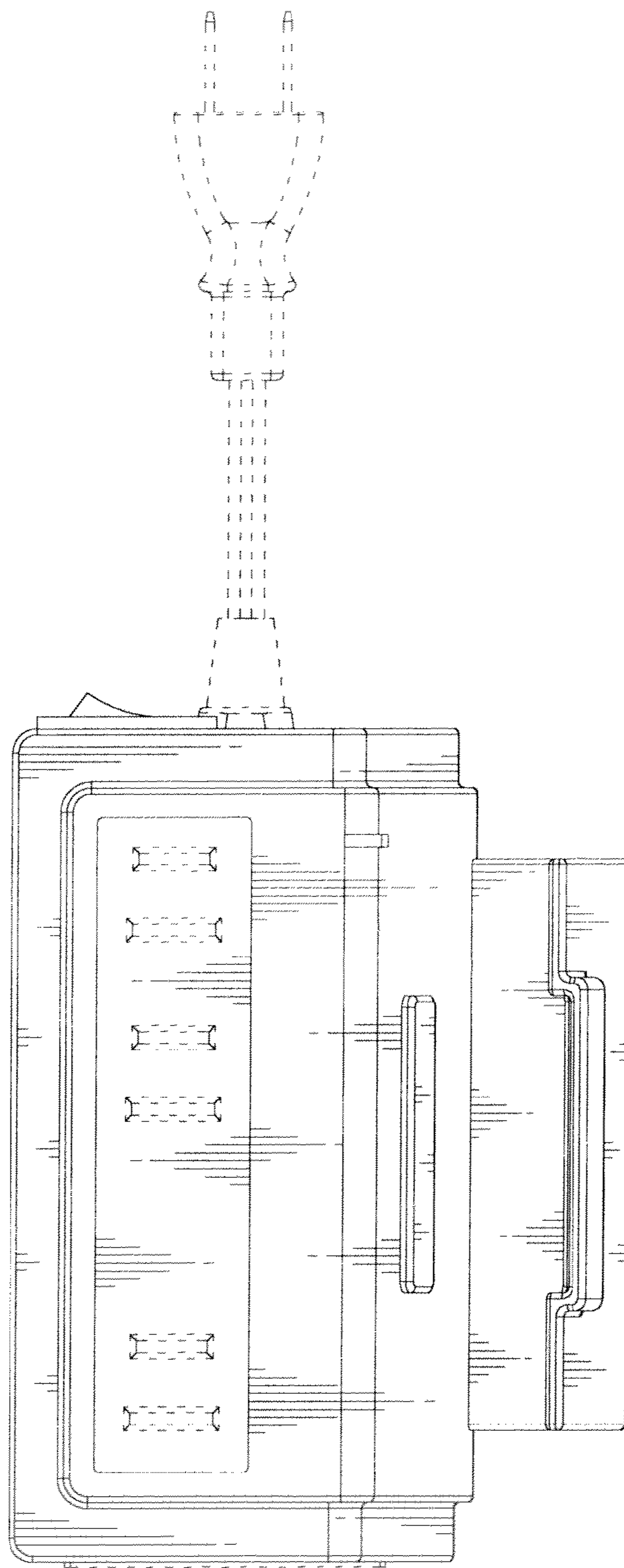


FIG. 6

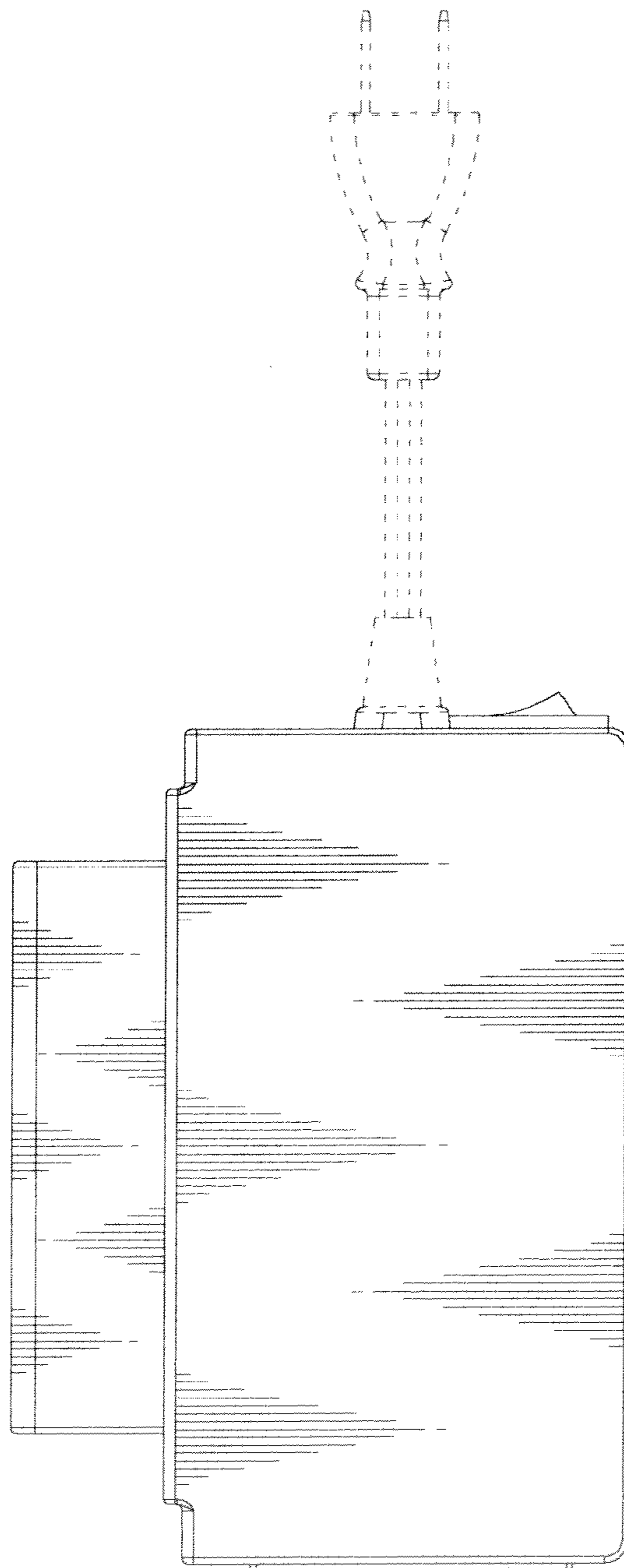


FIG. 7