



US00D666971S

(12) **United States Design Patent**
Sekine et al.

(10) **Patent No.:** **US D666,971 S**
(45) **Date of Patent:** **** Sep. 11, 2012**

(54) **ELECTRICAL CONNECTOR**

(75) Inventors: **Takashi Sekine**, Kanagawa (JP);
Kenichi Yamaguchi, Kanagawa (JP)

(73) Assignee: **Iriso Electronics Co., Ltd.**, Kangawa (JP)

(**) Term: **14 Years**

(21) Appl. No.: **29/375,880**

(22) Filed: **Sep. 29, 2010**

(30) **Foreign Application Priority Data**

Aug. 24, 2010 (JP) 2010-020378

(51) **LOC (9) Cl.** **13-03**

(52) **U.S. Cl.** **D13/133**

(58) **Field of Classification Search** D13/133,
D13/146-147, 154, 156, 184; 439/180, 252,
439/278, 280, 374, 375, 378, 488, 489, 491,
439/527, 529, 533, 892, 894, 607.01, 607.04,
439/607.05, 607.06, 607.17, 607.21, 607.23,
439/607.25, 607.34, 607.41, 607.53, 660
See application file for complete search history.

(56) **References Cited**

U.S. PATENT DOCUMENTS

D384,034 S * 9/1997 Kuprewicz et al. D13/133
D524,736 S * 7/2006 Morita et al. D13/133
D561,101 S * 2/2008 Sakamoto D13/133
D618,616 S * 6/2010 Kesler D13/133

D619,536 S * 7/2010 Kato D13/147
D625,688 S * 10/2010 So D13/133
D654,026 S * 2/2012 Shioda et al. D13/133

FOREIGN PATENT DOCUMENTS

JP D1385523 3/2010

* cited by examiner

Primary Examiner — Thomas Johannes

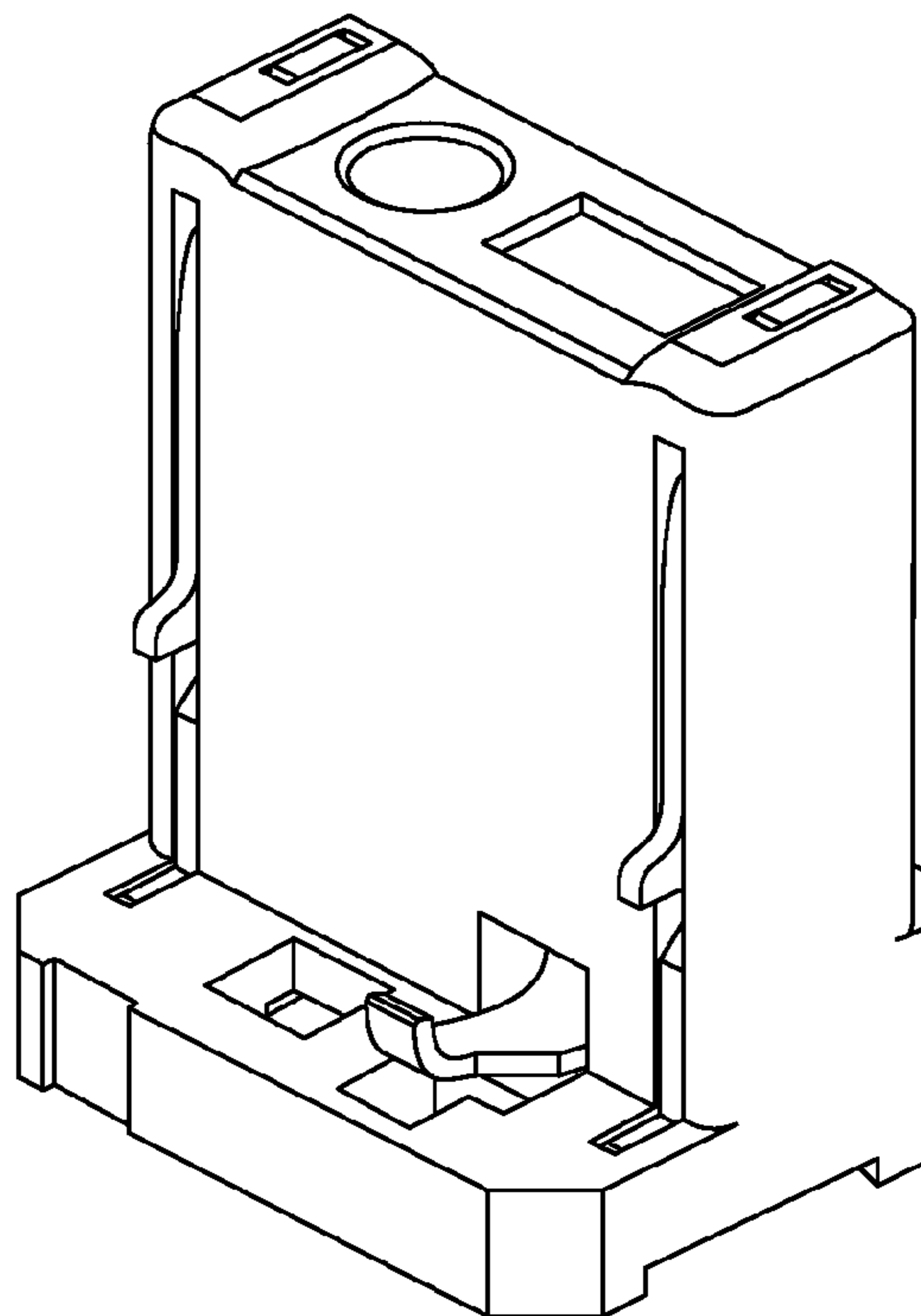
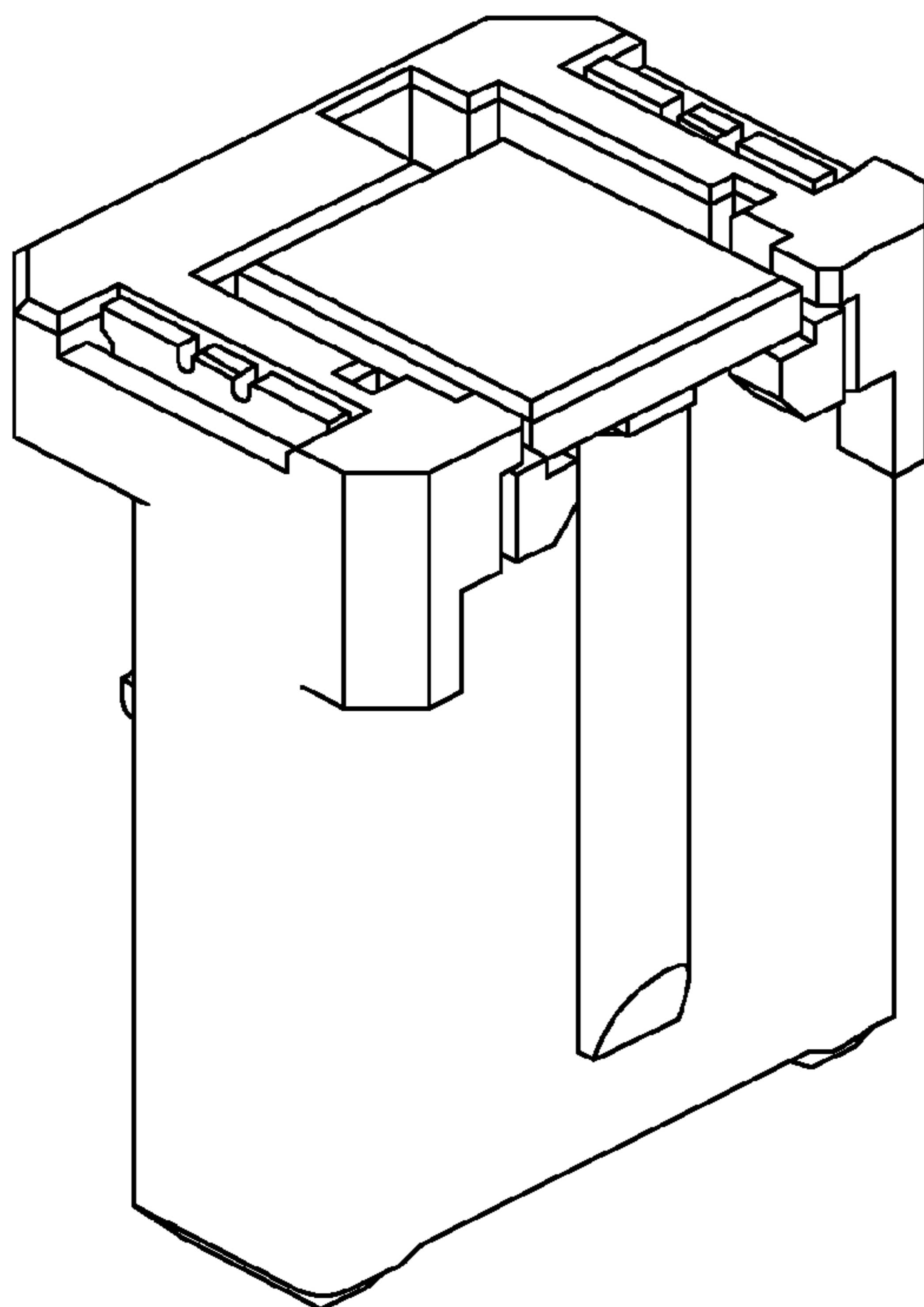
(57) **CLAIM**

The ornamental design for an electrical connector, as shown and described.

DESCRIPTION

FIG. 1 is a front view of an electrical connector showing our new design;
FIG. 2 is a rear view thereof;
FIG. 3 is a right side view thereof;
FIG. 4 is a left side view thereof;
FIG. 5 is a top plan view thereof;
FIG. 6 is a bottom plan view thereof;
FIG. 7 is a rear perspective view thereof;
FIG. 8 is a bottom perspective view thereof;
FIG. 9 is a perspective view thereof in a usage environment; and,
FIG. 10 is an enlarged, perspective view thereof.
The broken line portion of the figure drawings is included to show unclaimed subject matter only and forms no part of the claimed design.

1 Claim, 5 Drawing Sheets



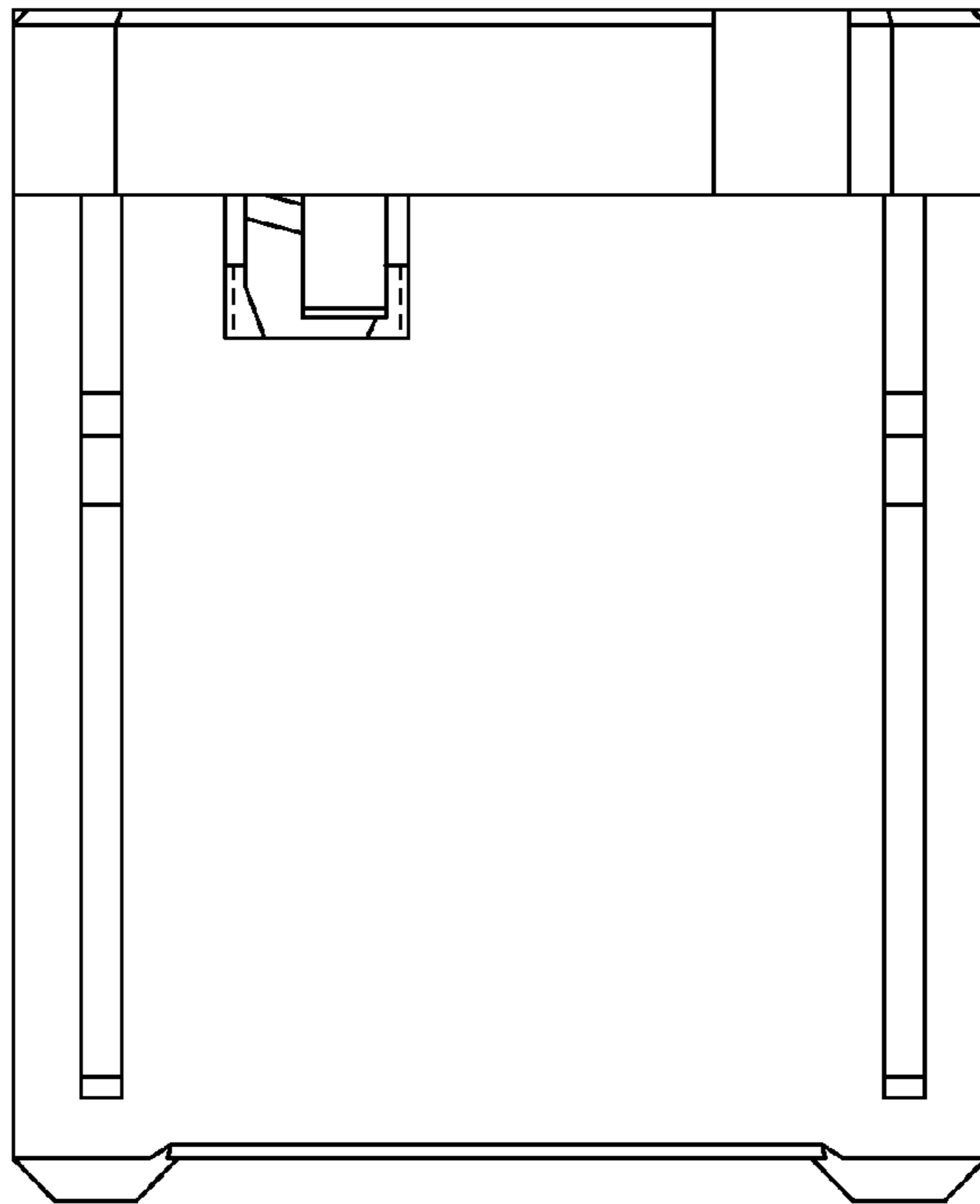


FIG. 1

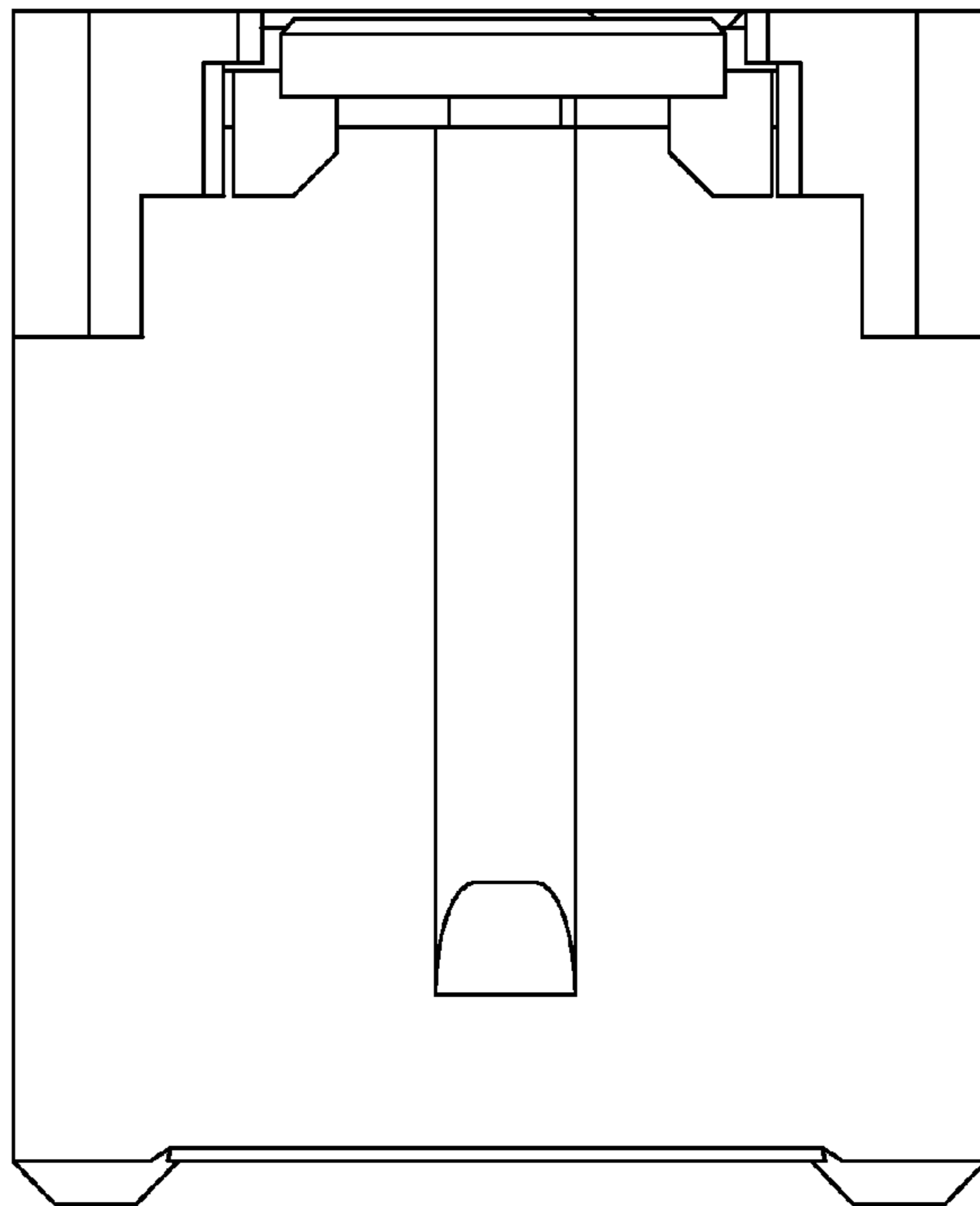


FIG. 2

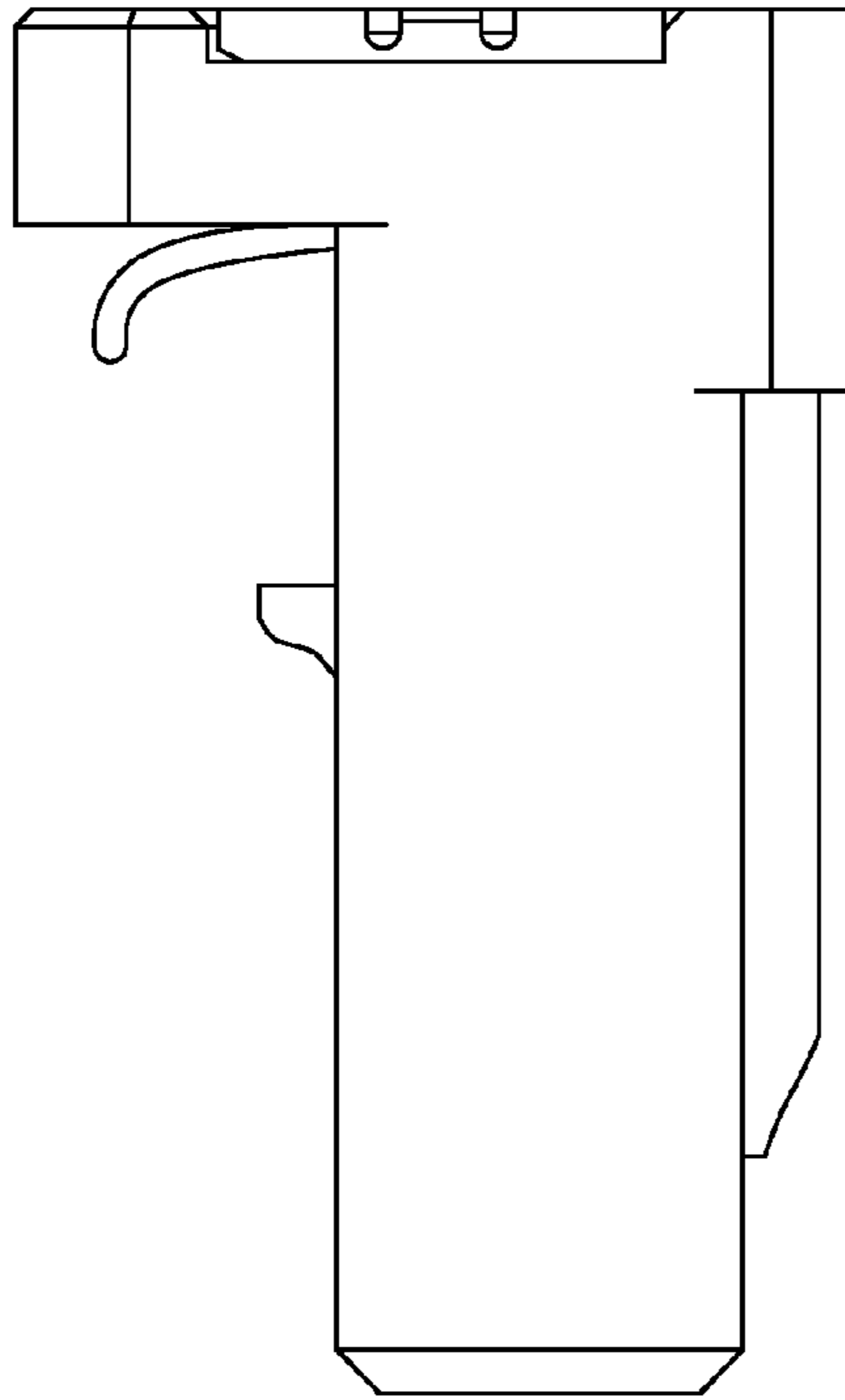


FIG. 3

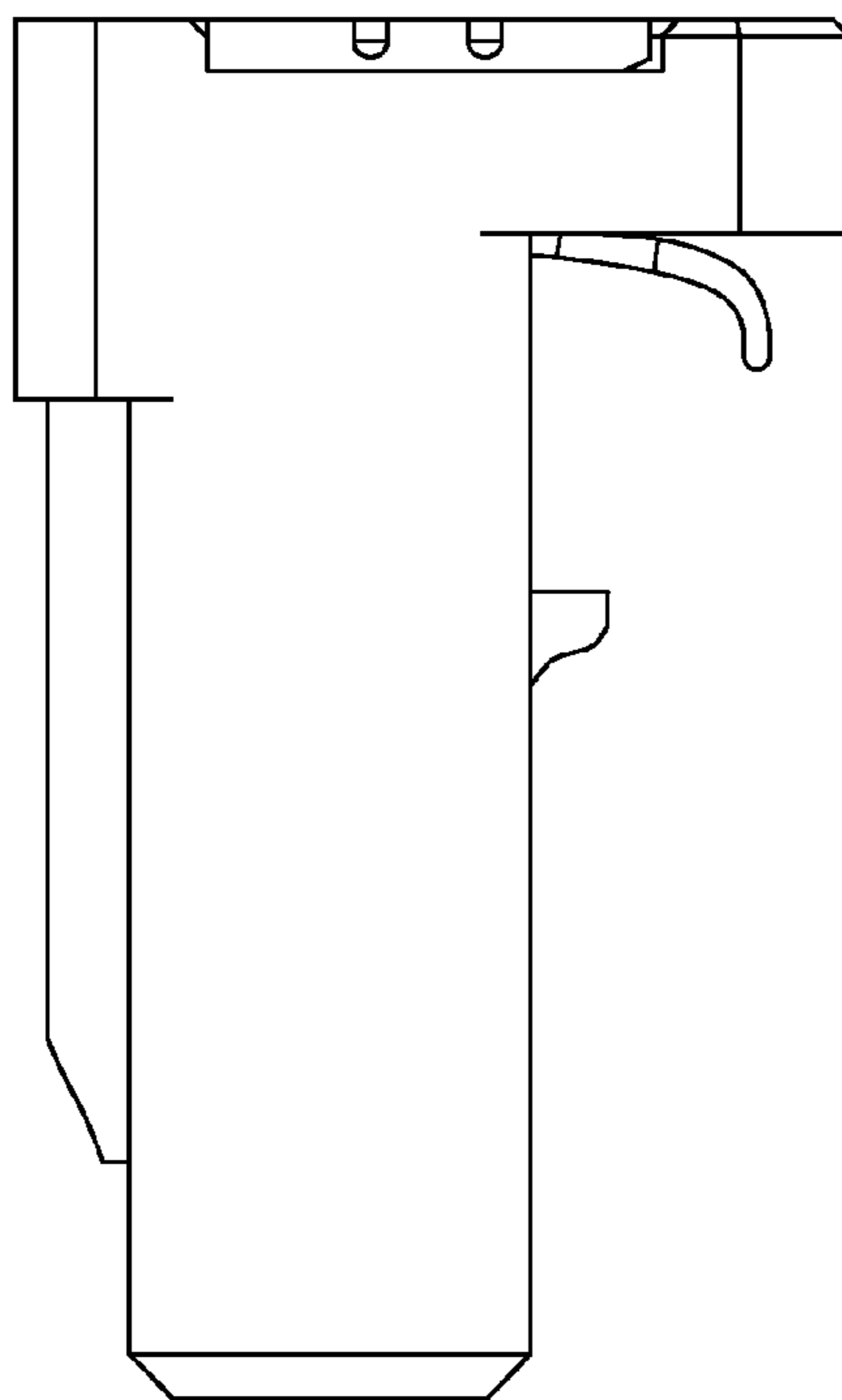


FIG. 4

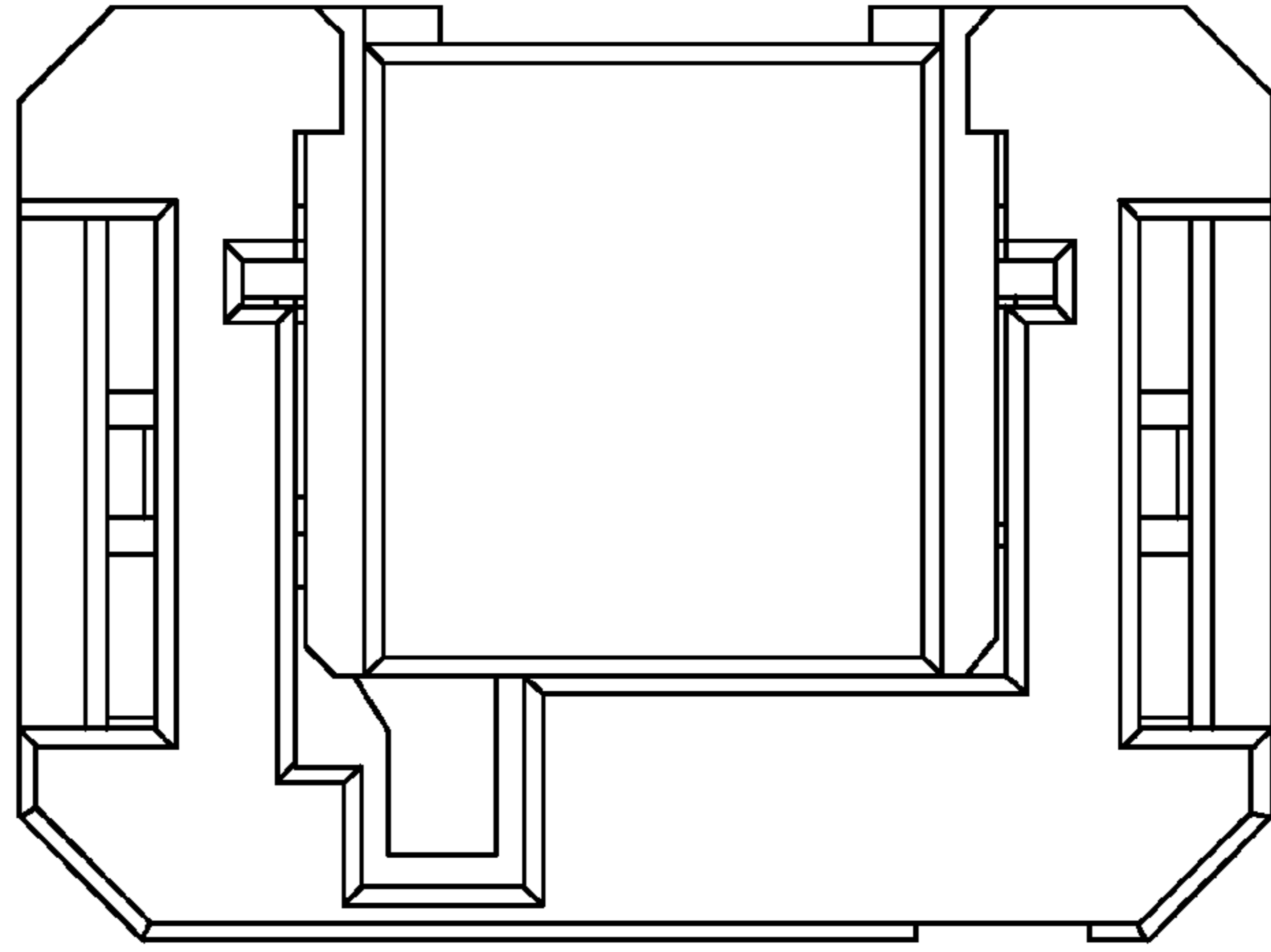


FIG. 5

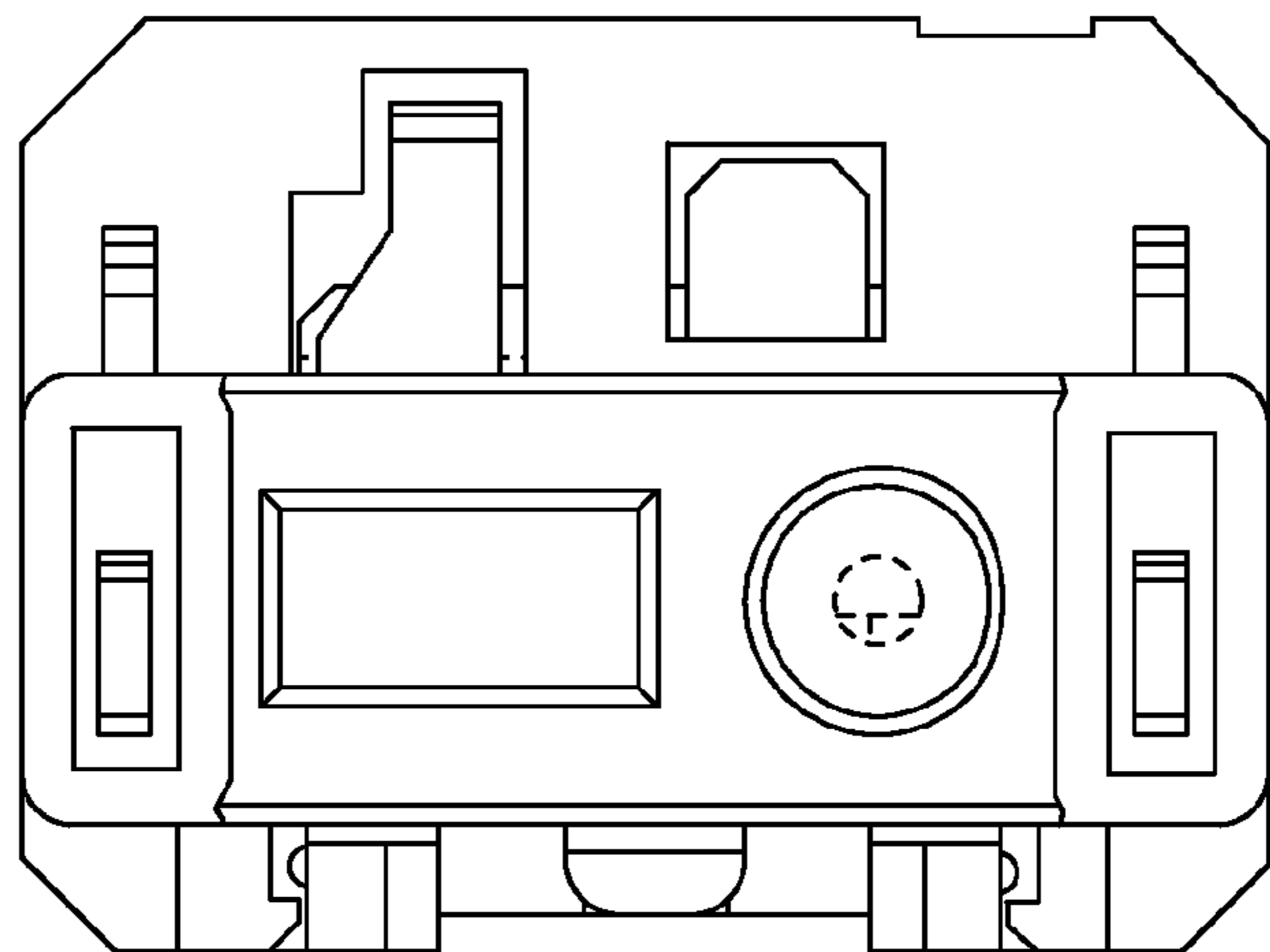


FIG. 6

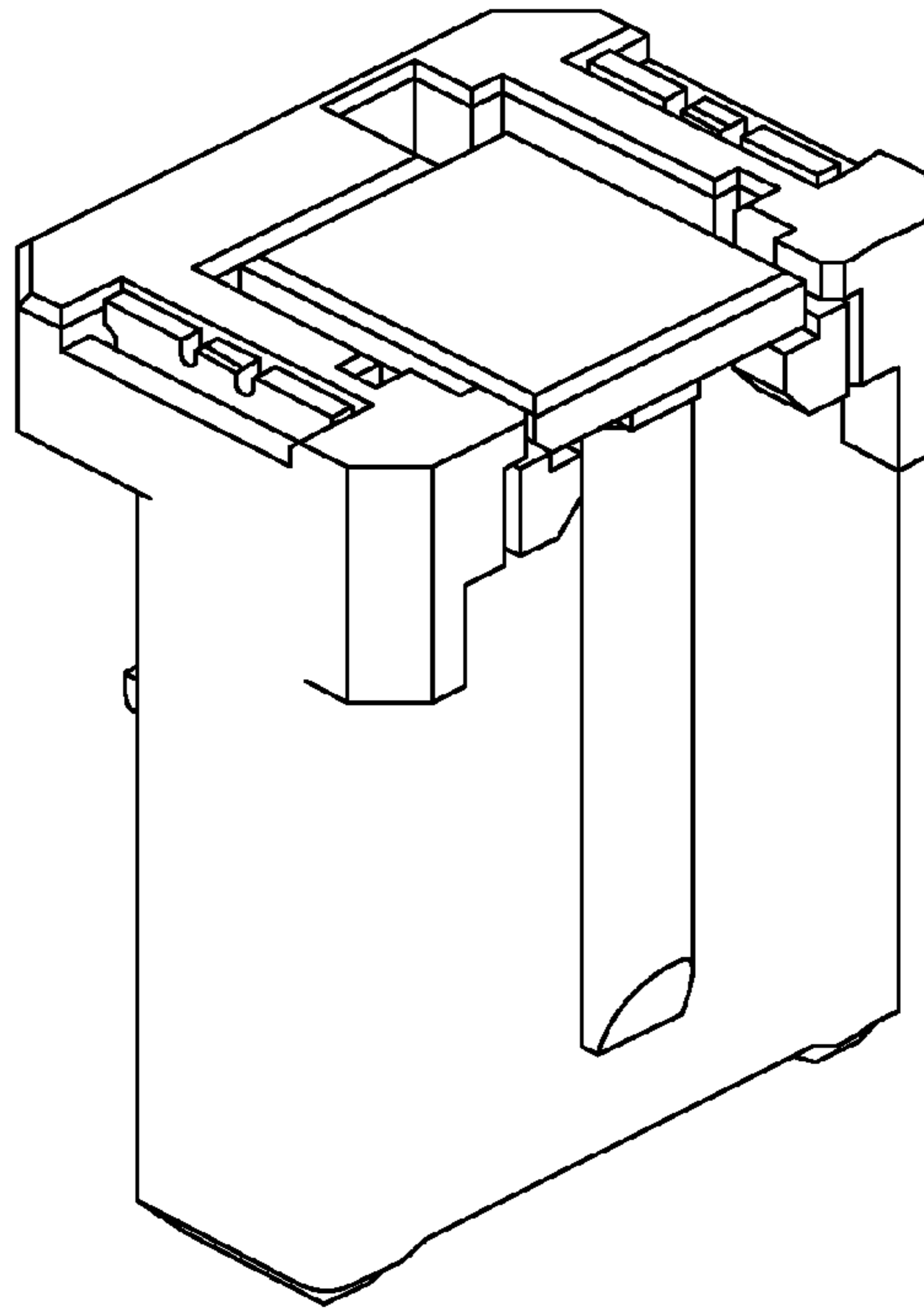


FIG. 7

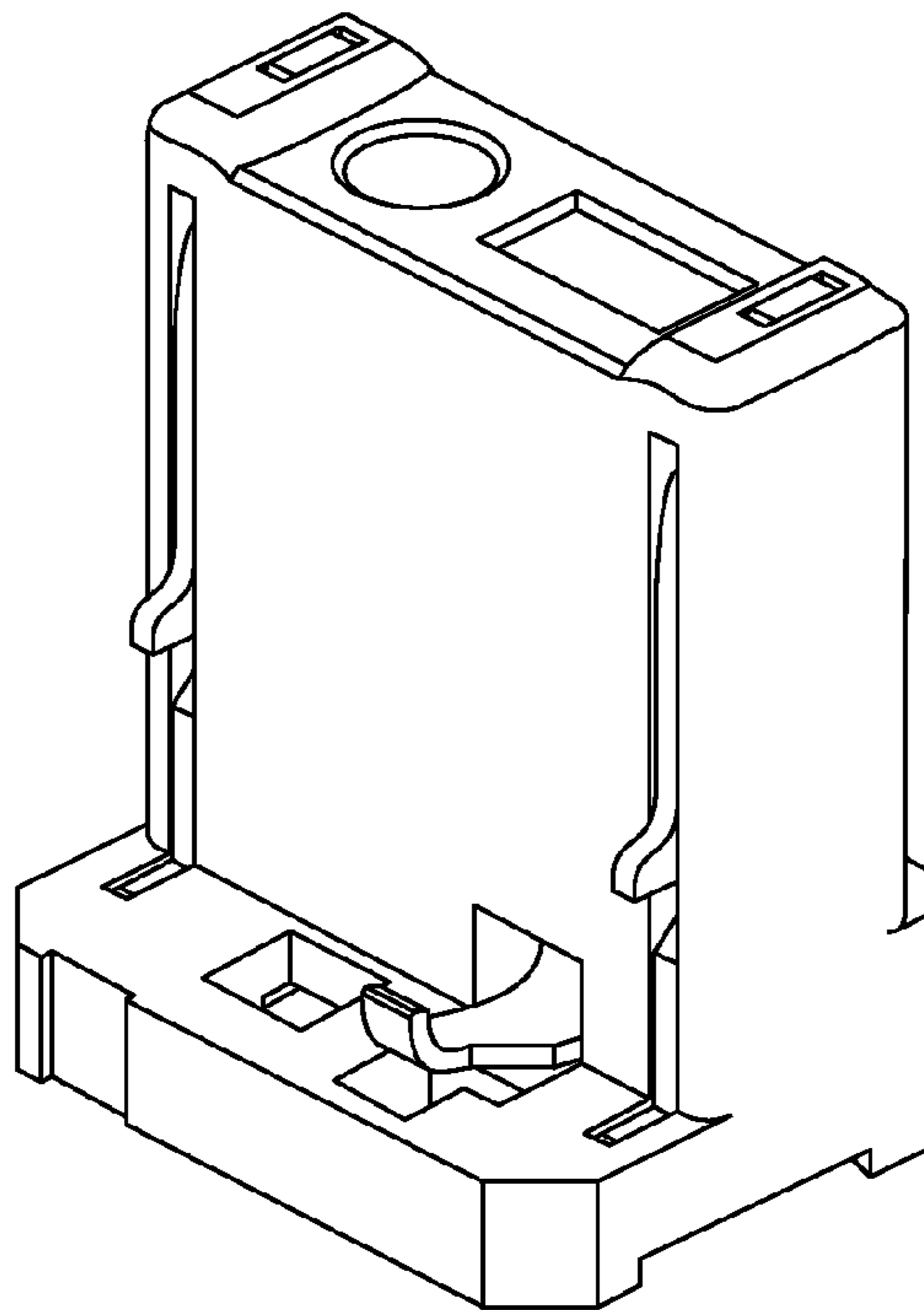


FIG. 8

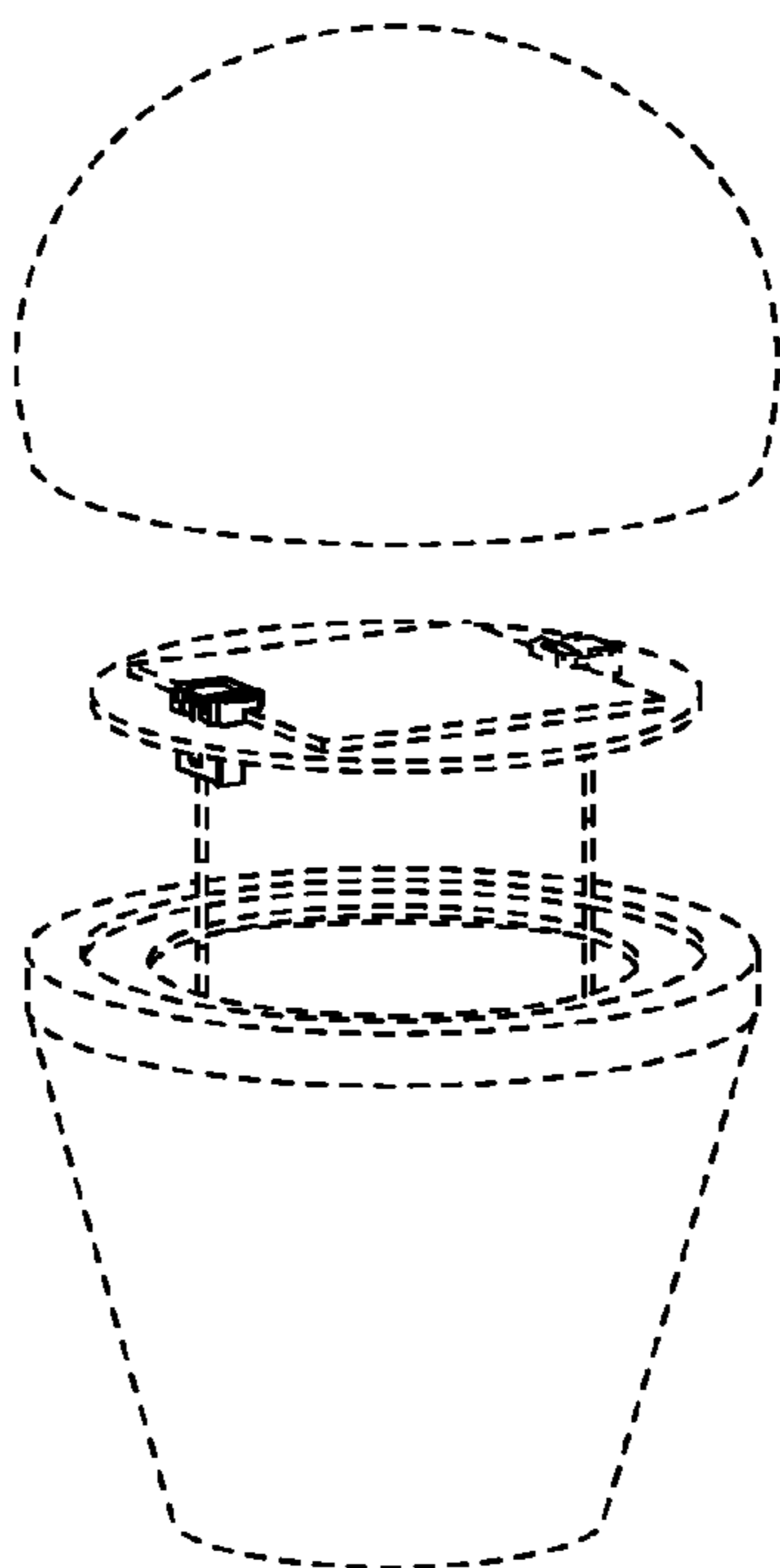


FIG. 9

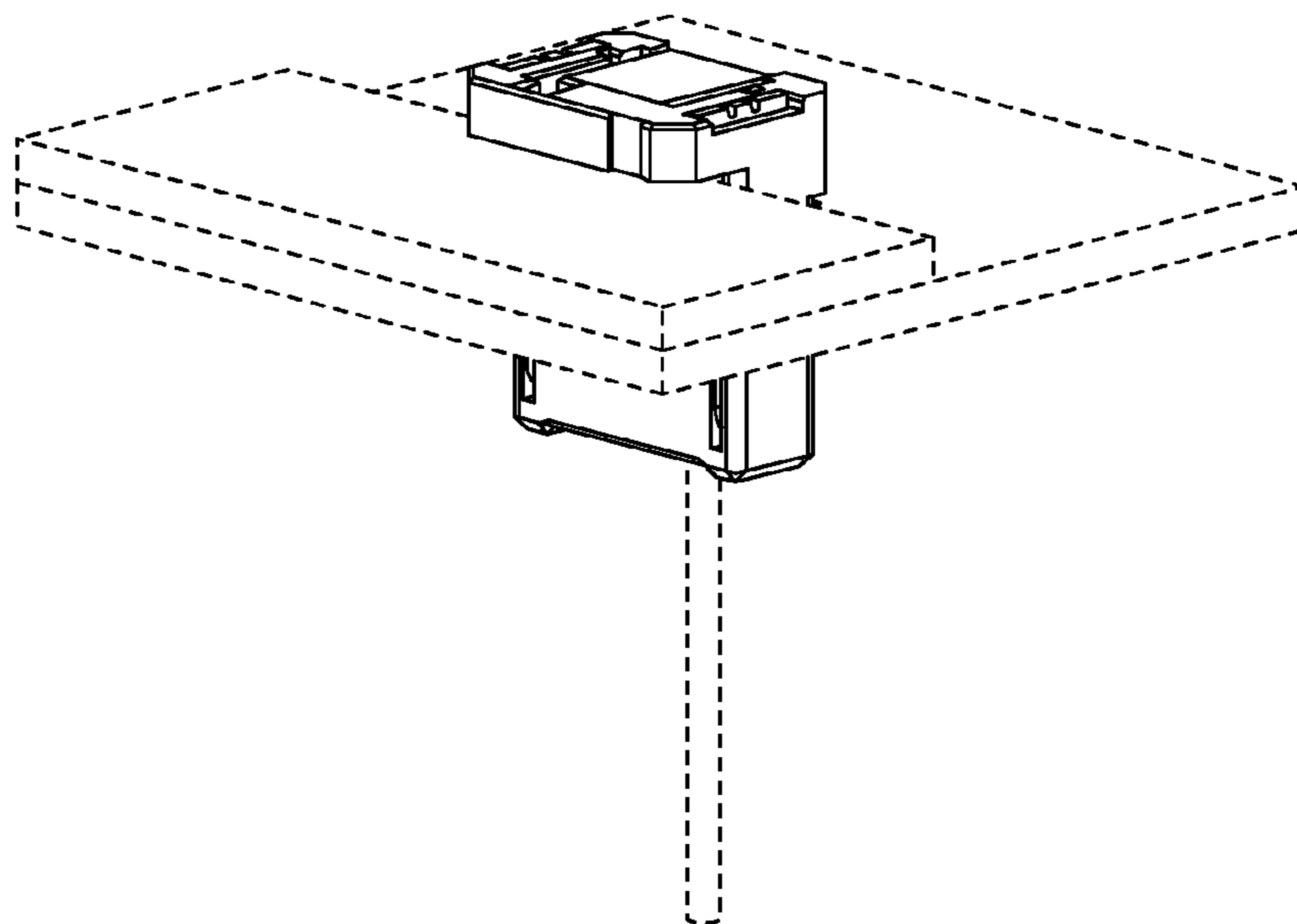


FIG. 10