



US00D666968S

(12) **United States Design Patent**
Huang

(10) **Patent No.:** **US D666,968 S**

(45) **Date of Patent:** **** Sep. 11, 2012**

(54) **TAP PLUG**

(75) Inventor: **Chih-Hua Huang**, New Taipei (TW)

(73) Assignees: **Askey Technology (Jiangsu) Ltd.** (CN);
Askey Computer Corp. (TW)

(**) Term: **14 Years**

(21) Appl. No.: **29/416,564**

(22) Filed: **Mar. 23, 2012**

(30) **Foreign Application Priority Data**

Feb. 24, 2012 (TW) 101300973

(51) **LOC (9) Cl.** **13-02**

(52) **U.S. Cl.** **D13/110**

(58) **Field of Classification Search** D13/110,
D13/107, 108, 123, 133, 137.1, 138.1, 199;
174/53, 54, 59, 61; 307/150, 151; 320/111,
320/114; 363/132, 140, 142, 143, 146; 439/105,
439/131, 166, 171-173, 218, 518, 692, 956;
D14/240, 251, 253, 432, 433, 434

See application file for complete search history.

(56) **References Cited**

U.S. PATENT DOCUMENTS

D350,113	S	*	8/1994	Nagele	D13/110
D367,257	S	*	2/1996	Buelow et al.	D13/110
5,613,863	A	*	3/1997	Klaus et al.	439/131
D383,115	S	*	9/1997	Nagele et al.	D13/110
6,042,400	A	*	3/2000	Queffelec et al.	439/131
D428,862	S	*	8/2000	Queffelec et al.	D13/184
6,227,888	B1	*	5/2001	Hahn	439/173
D503,679	S	*	4/2005	Andre et al.	D13/110
D660,797	S	*	5/2012	Wu	D13/110

* cited by examiner

Primary Examiner — Derrick Holland

(74) *Attorney, Agent, or Firm* — Schmeiser, Olsen & Watts, LLP

(57) **CLAIM**

The ornamental design for a tap plug, as shown and described.

DESCRIPTION

FIG. 1 is a perspective view of a tap plug showing my new design;

FIG. 2 is a front elevational view thereof;

FIG. 3 is a rear elevational view thereof;

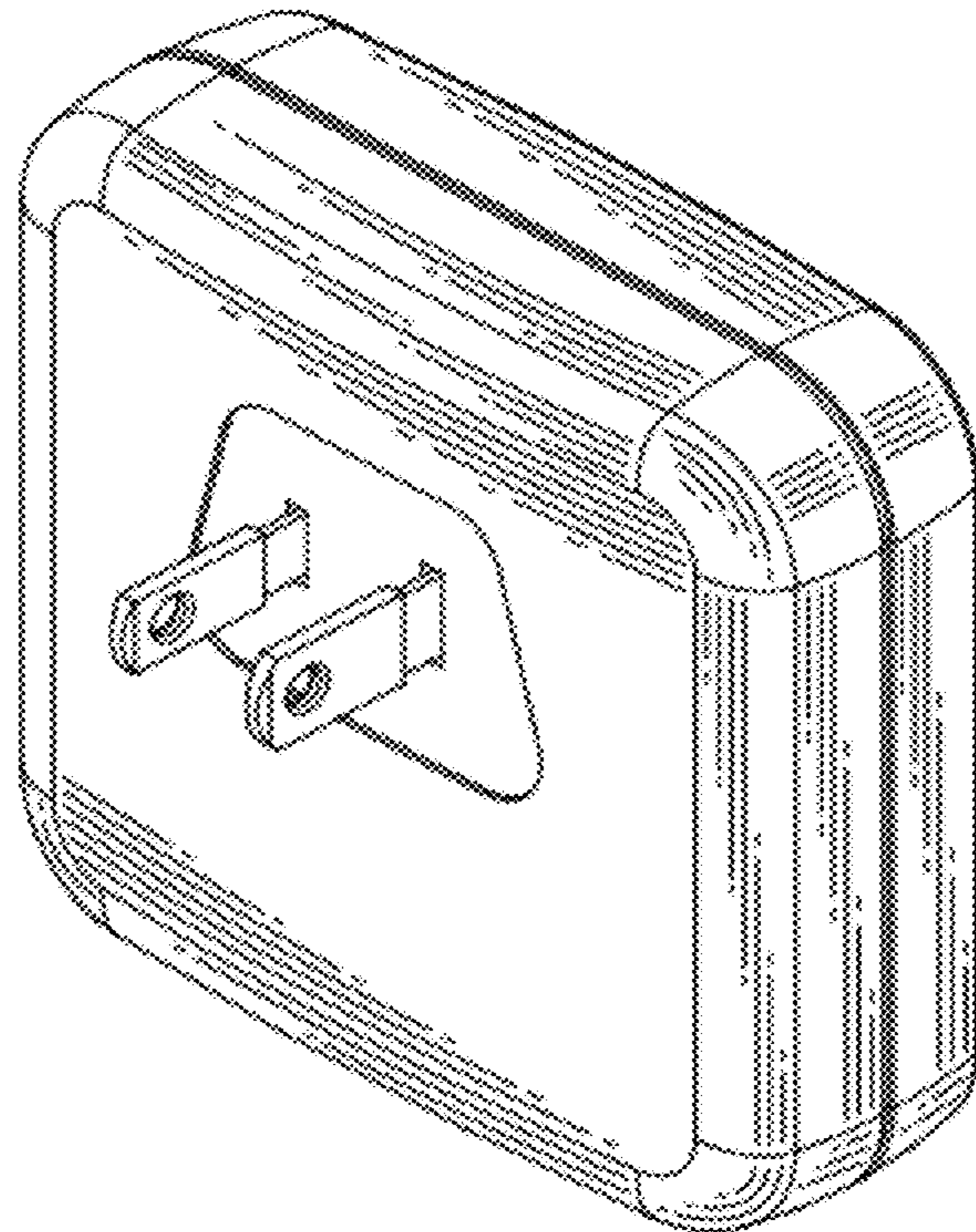
FIG. 4 is a left side elevational view thereof;

FIG. 5 is a right side elevational view thereof;

FIG. 6 is a top plan view thereof; and,

FIG. 7 is a bottom plan view thereof.

1 Claim, 6 Drawing Sheets



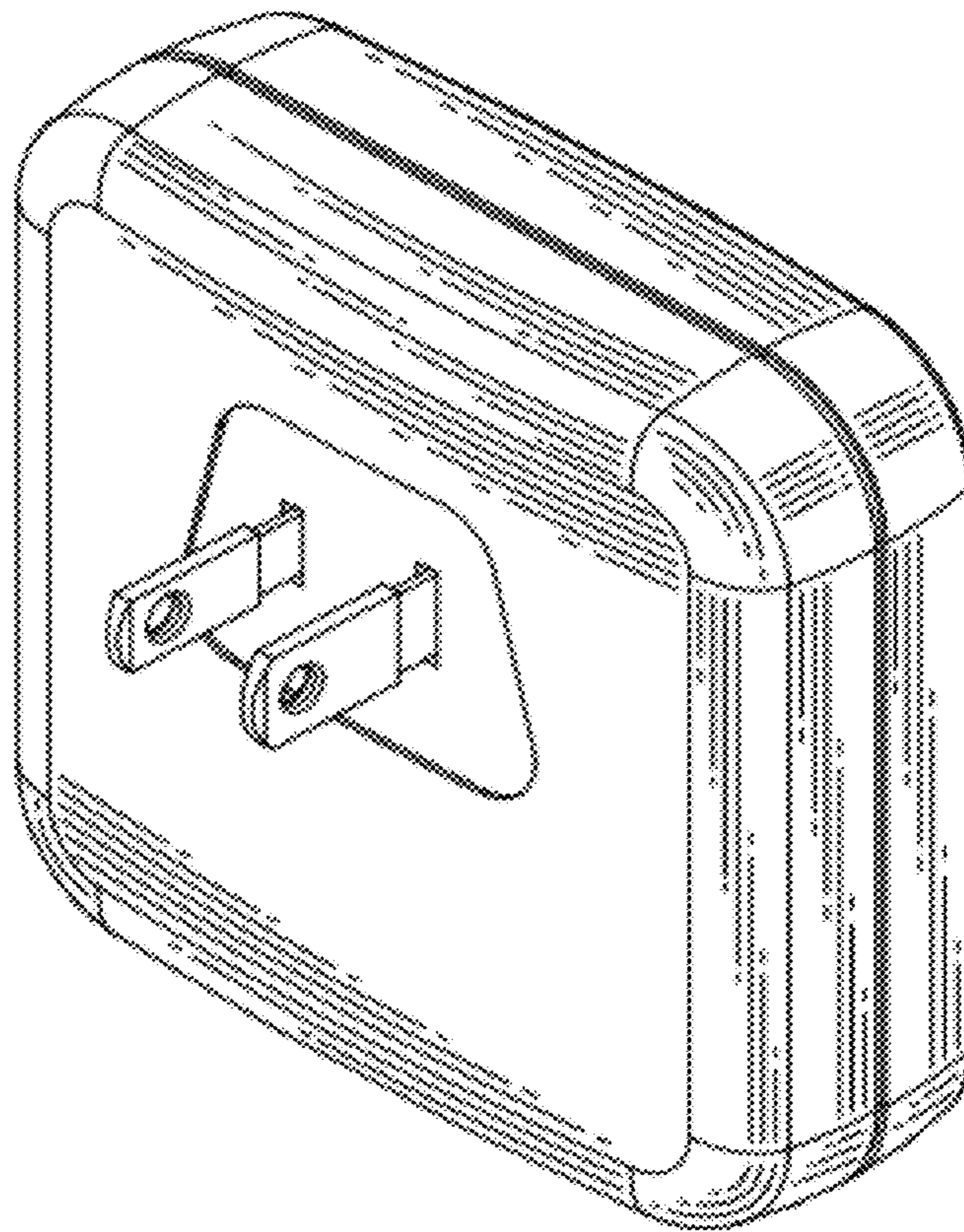


FIG. 1

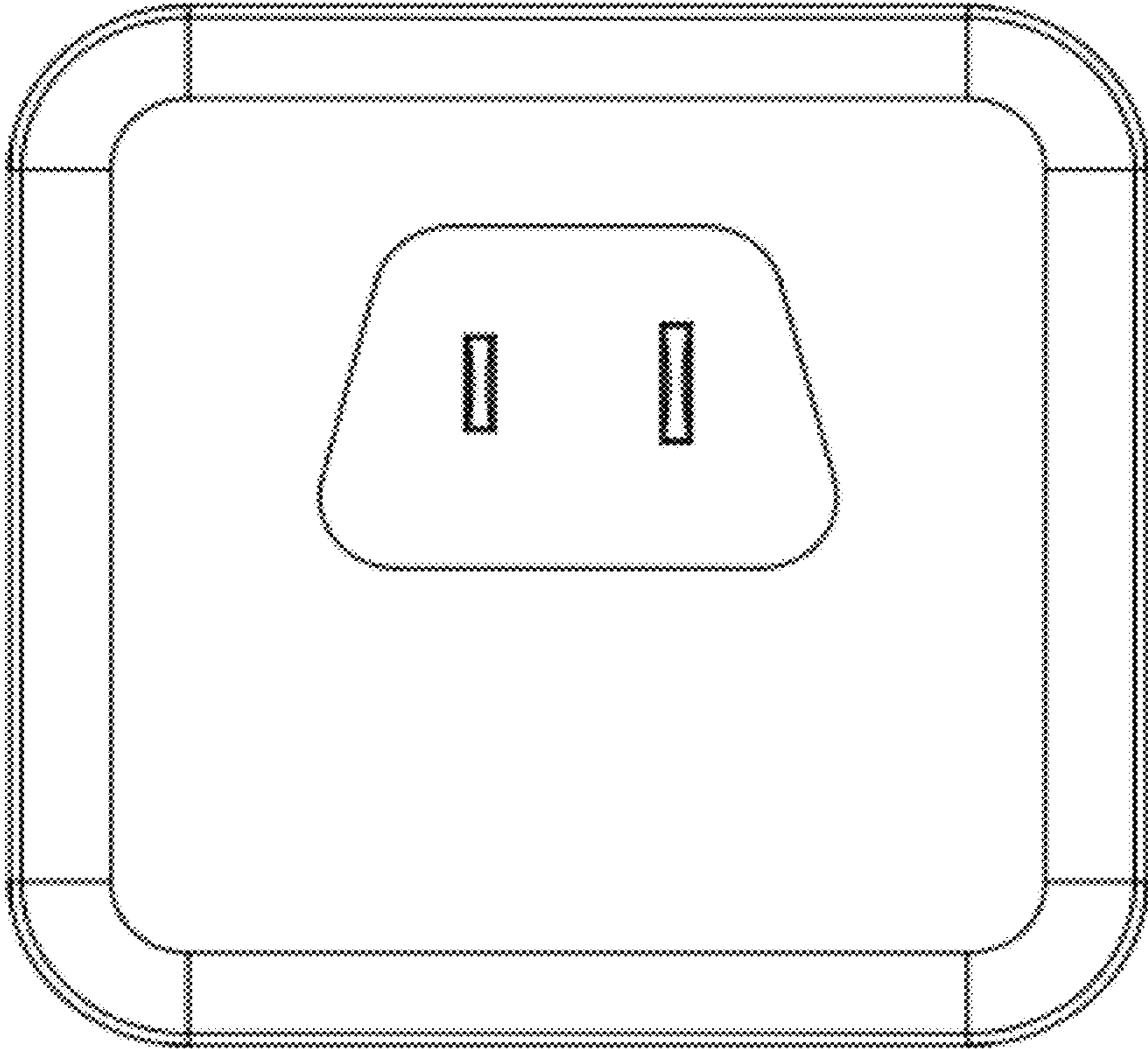


FIG. 2

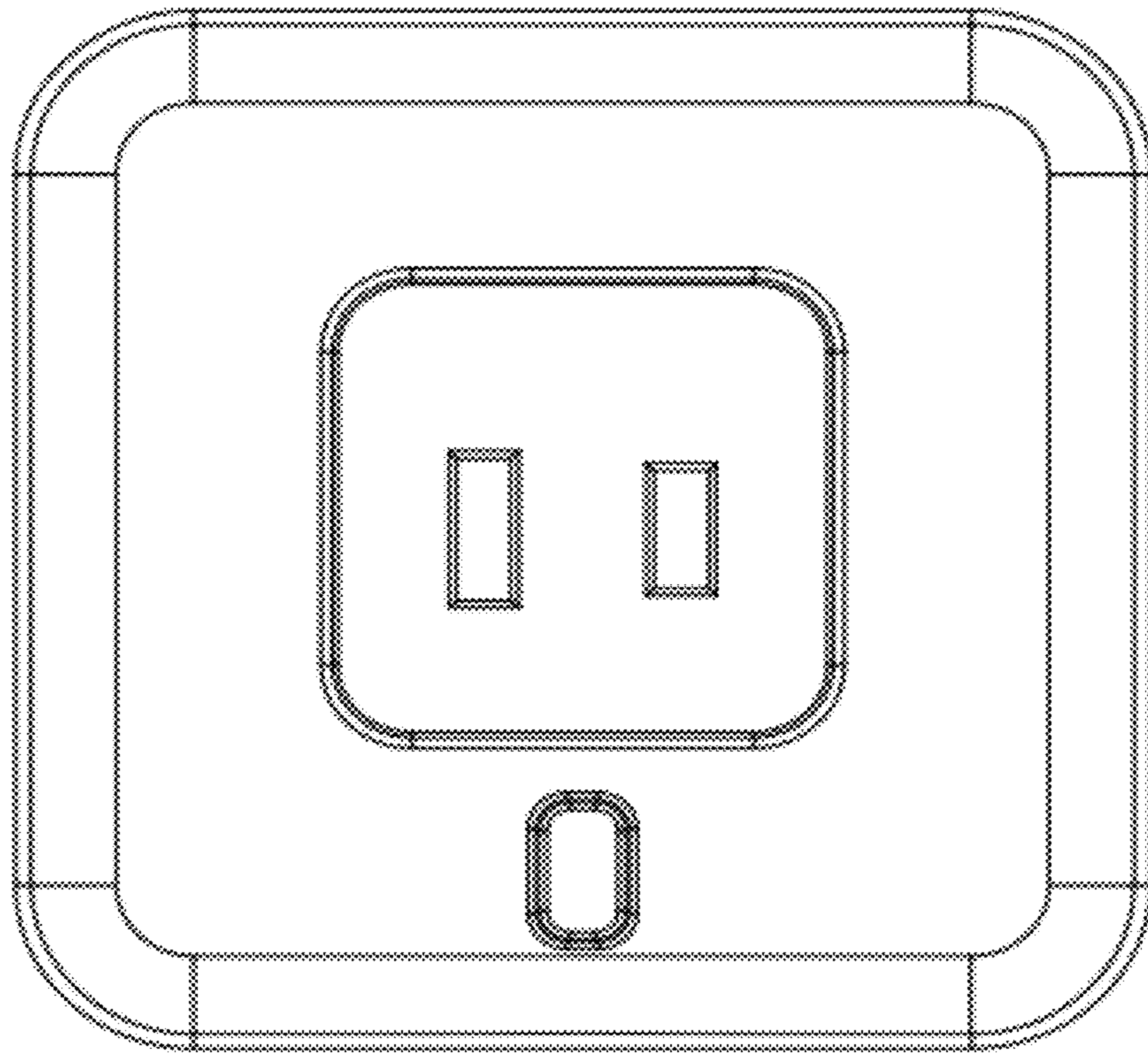


FIG. 3

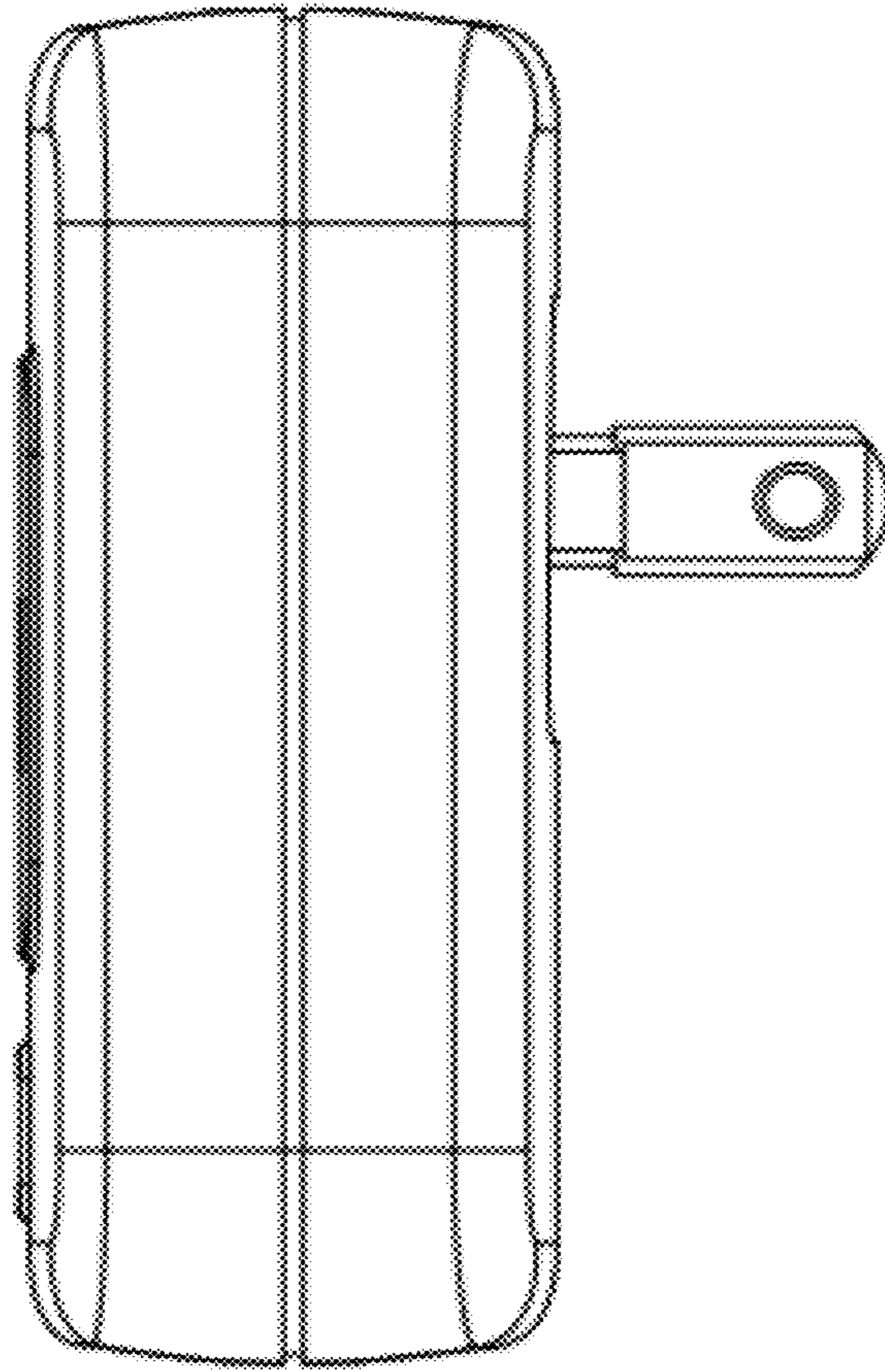


FIG. 4

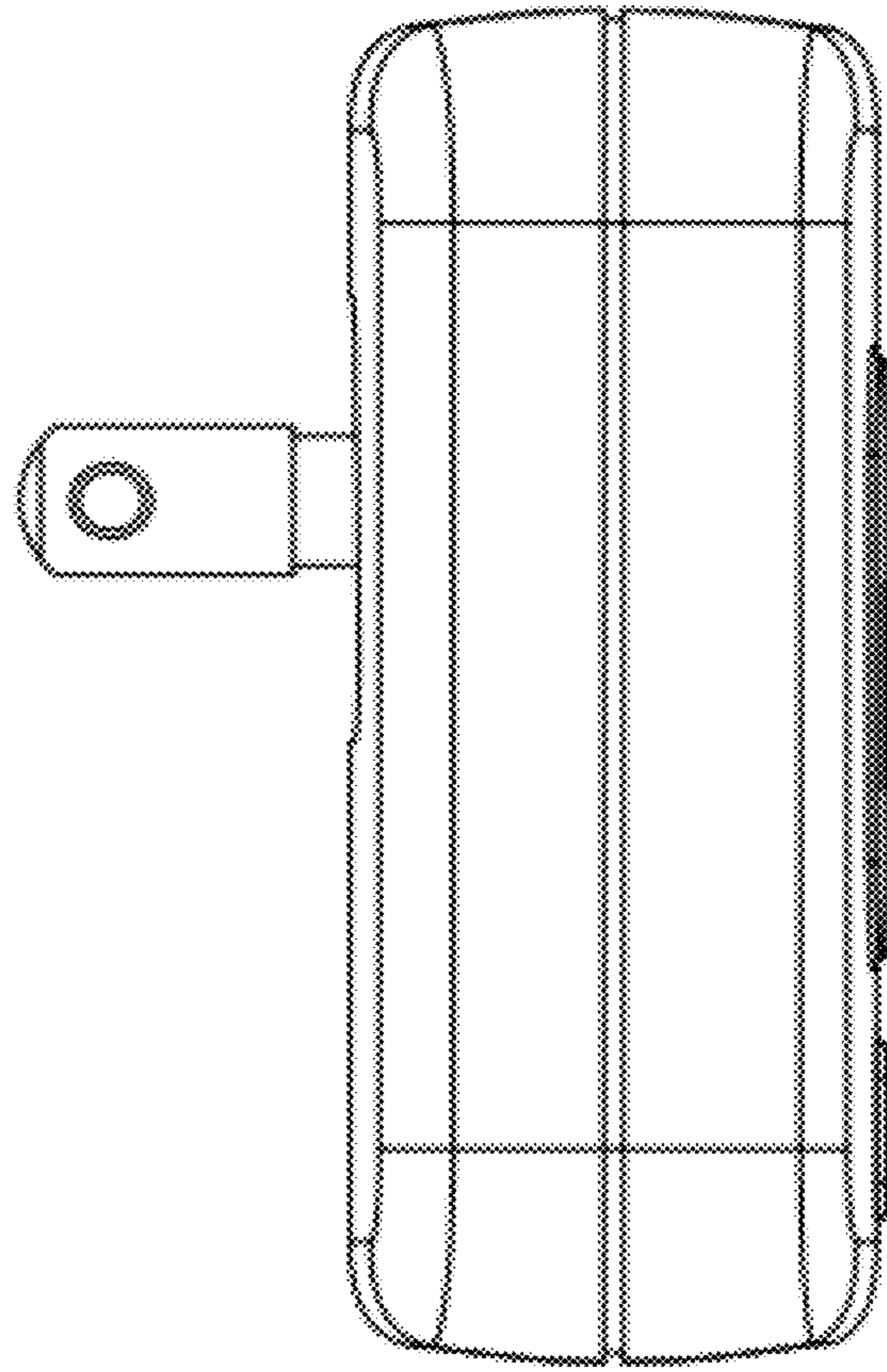


FIG. 5

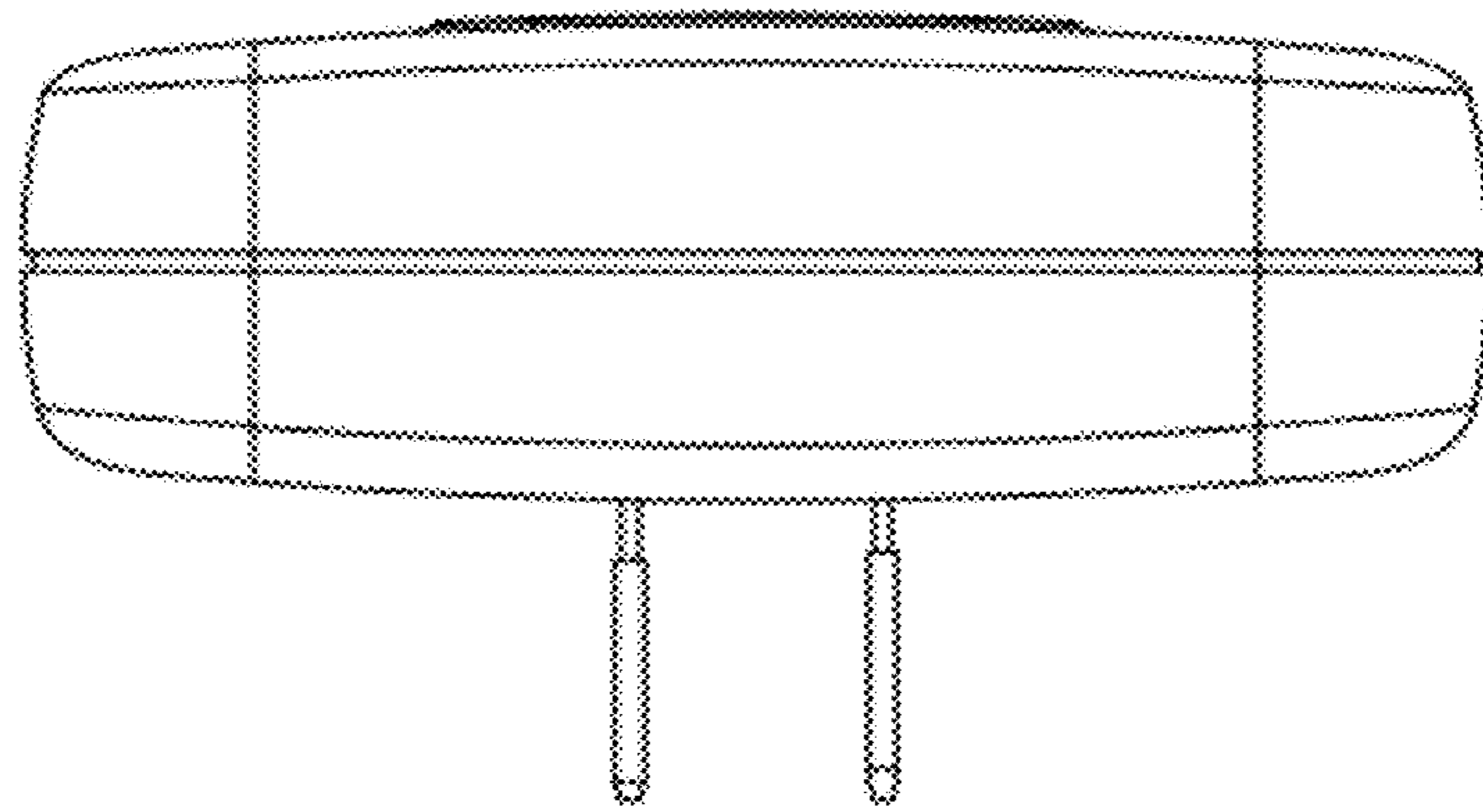


FIG. 6

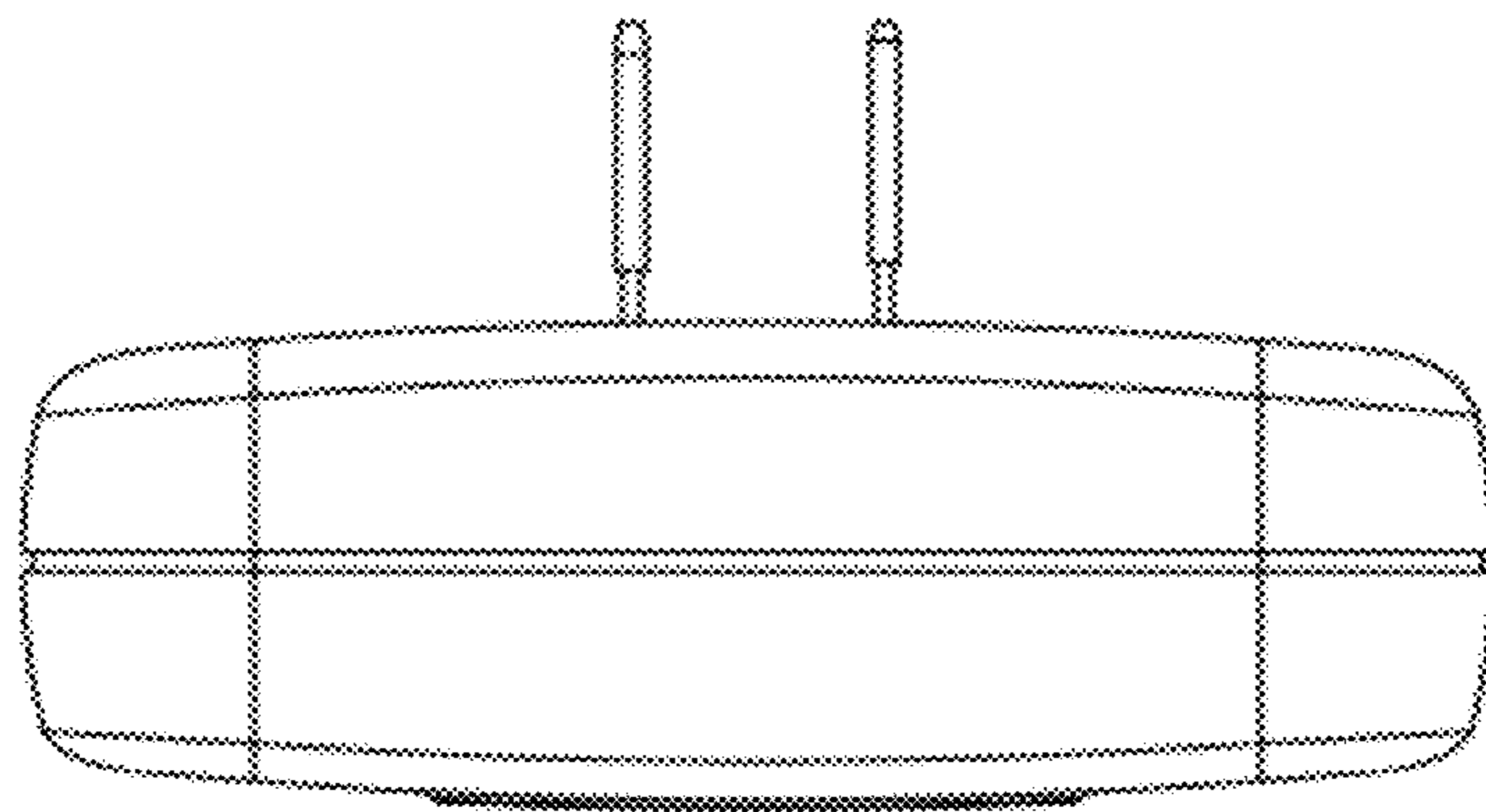


FIG. 7