



US00D666963S

(12) **United States Design Patent**  
**Zughaib**

(10) **Patent No.:** **US D666,963 S**

(45) **Date of Patent:** **\*\* Sep. 11, 2012**

(54) **PERSONAL SURFING BOAT**

(75) Inventor: **Edward E. Zughaib**, Bethesda, MD  
(US)

(73) Assignee: **Hasake, LLC**, Washington, DC (US)

(\*\*) Term: **14 Years**

(21) Appl. No.: **29/391,091**

(22) Filed: **May 3, 2011**

(51) **LOC (9) Cl.** ..... **12-06**

(52) **U.S. Cl.** ..... **D12/302**

(58) **Field of Classification Search** ..... D12/300,  
D12/302, 303, 304, 316, 317; 114/343, 345,  
114/347, 348, 351–358, 361, 363; D21/542,  
D21/801; 441/79

See application file for complete search history.

(56) **References Cited**

**U.S. PATENT DOCUMENTS**

D257,029 S *	9/1980	Gramprie	.....	D12/302
D270,827 S *	10/1983	Dorfman	.....	D12/302
5,127,862 A *	7/1992	Pia	.....	441/79
D362,835 S *	10/1995	Dinsdale et al.	.....	D12/304
D377,473 S *	1/1997	Niemier	.....	D12/302
D419,128 S *	1/2000	Lockwood	.....	D12/302
D425,852 S *	5/2000	Lockwood	.....	D12/302
D468,253 S	1/2003	Haller		
D519,908 S *	5/2006	Ward	.....	D12/302
D521,440 S *	5/2006	Mouawad	.....	D12/300
D533,829 S	12/2006	Jacobs et al.		
D544,824 S	6/2007	Eckert		
D548,667 S *	8/2007	Walton et al.	.....	D12/302
D566,030 S	4/2008	Oas		
D579,850 S *	11/2008	Prestridge	.....	D12/302
D634,255 S *	3/2011	Farber	.....	D12/302

**OTHER PUBLICATIONS**

Hasake—Photograph No. 1, dated Apr. 17, 2011.

Hasake—Photograph No. 2, dated Apr. 17, 2011.

Hasake—Photograph No. 3, dated Apr. 17, 2011.

Hasake—Photograph No. 4, dated Apr. 17, 2011.

Hasake—Photograph No. 5, dated Apr. 17, 2011.

\* cited by examiner

*Primary Examiner* — Cynthia M Chin

(74) *Attorney, Agent, or Firm* — Locke Lord LLP

(57) **CLAIM**

The ornamental design for a personal surfing boat, as shown and described.

**DESCRIPTION**

FIG. 1 is a top front perspective view of the personal surfing boat;

FIG. 2 is a top view of the personal surfing boat of FIG. 1;

FIG. 3 is a bottom view of the personal surfing boat of FIG. 1;

FIG. 4 is a side elevational view of the personal surfing boat of FIG. 1, the side elevational view of the personal surfing boat taken from the same side of FIG. 1;

FIG. 5 is a cross-sectional view of the personal surfing boat of FIG. 1, the cross-sectional view of the personal surfing boat taken along the section line labeled “5-5” of FIG. 3;

FIG. 6 is a cross-sectional view of the personal surfing boat of FIG. 1, the cross-sectional view of the personal surfing boat taken along the section line labeled “6-6” of FIG. 3;

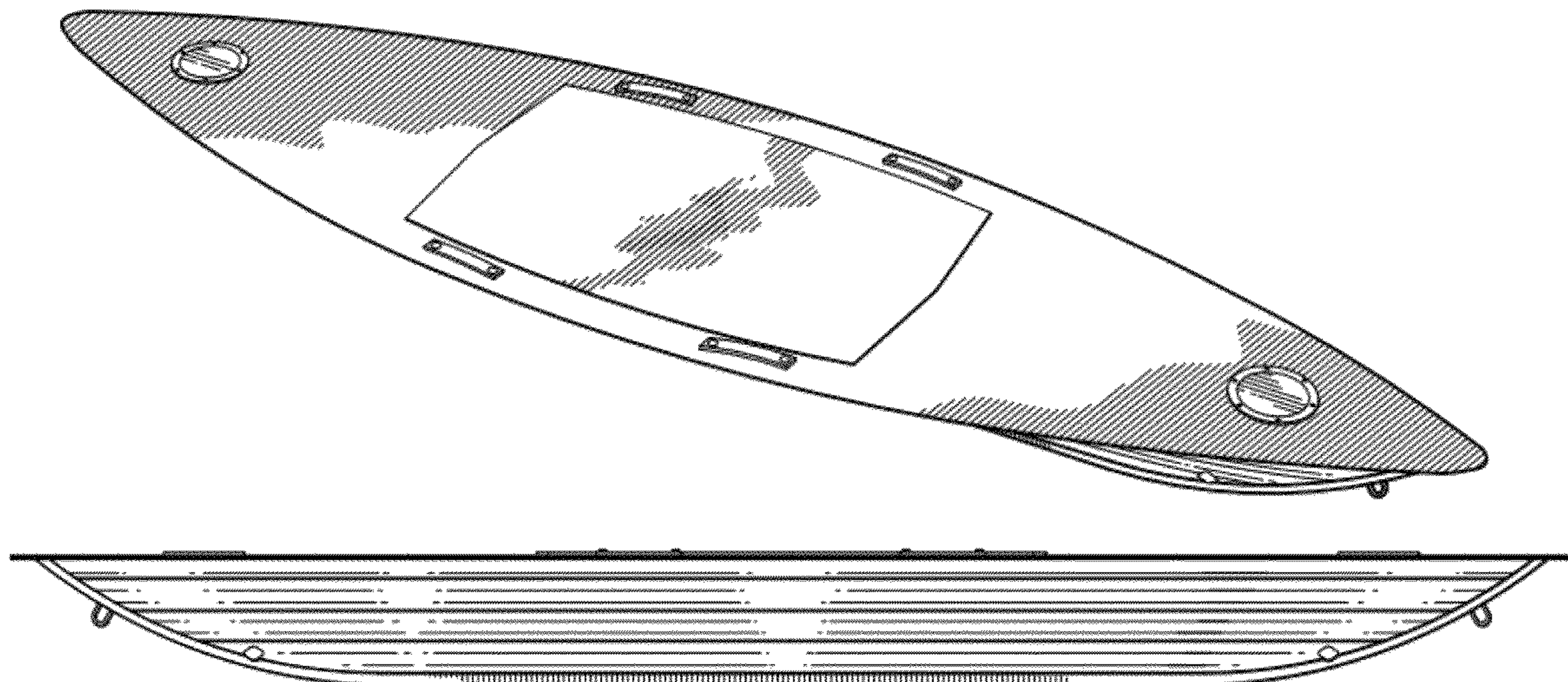
FIG. 7 is a cross-sectional view of the personal surfing boat of FIG. 1, the cross-sectional view of the personal surfing boat taken along the section line labeled “7-7” of FIG. 3;

FIG. 8 is a cross-sectional view of the personal surfing boat of FIG. 1, the cross-sectional view of the personal surfing boat taken along the section line labeled “8-8” of FIG. 3;

FIG. 9 is a front elevational view of the personal surfing boat of FIG. 1; and,

FIG. 10 is a rear elevational view of the personal surfing boat of FIG. 1.

**1 Claim, 5 Drawing Sheets**



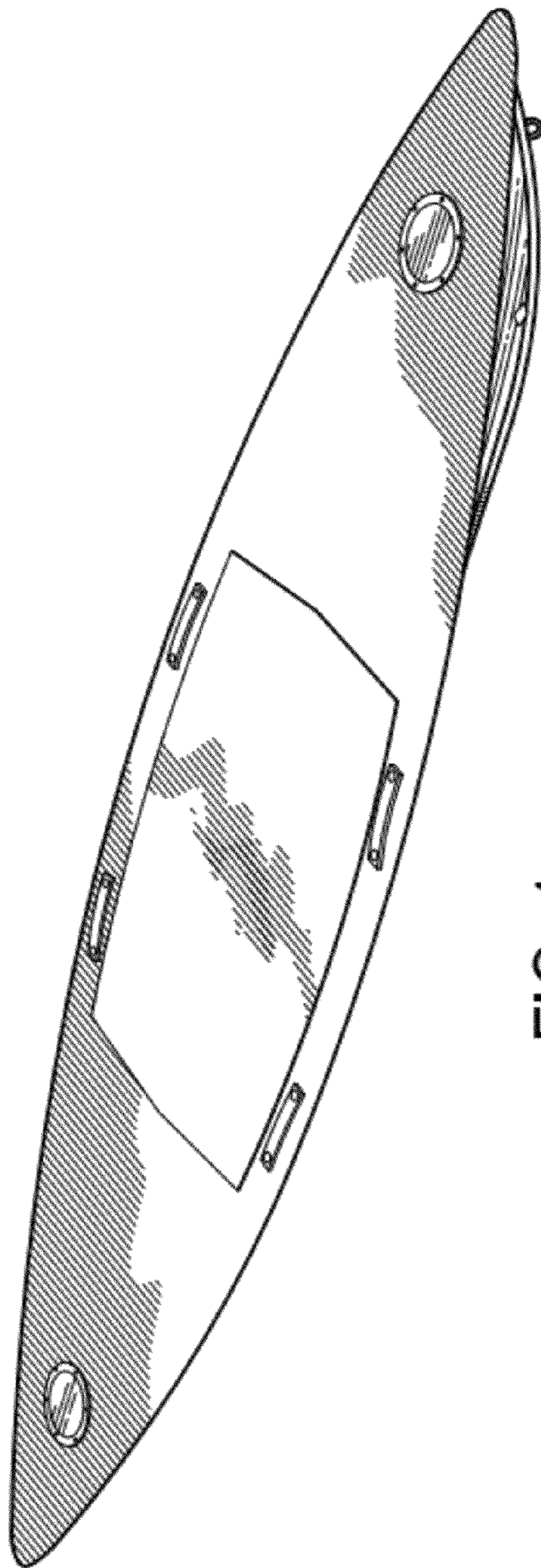


FIG. 1

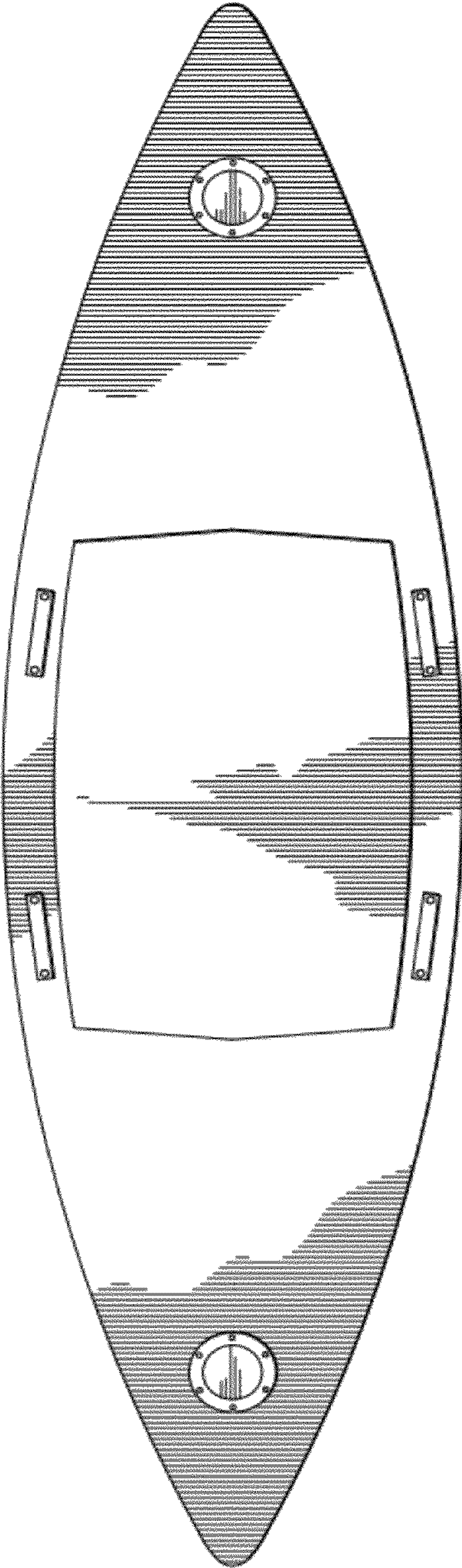


FIG. 2

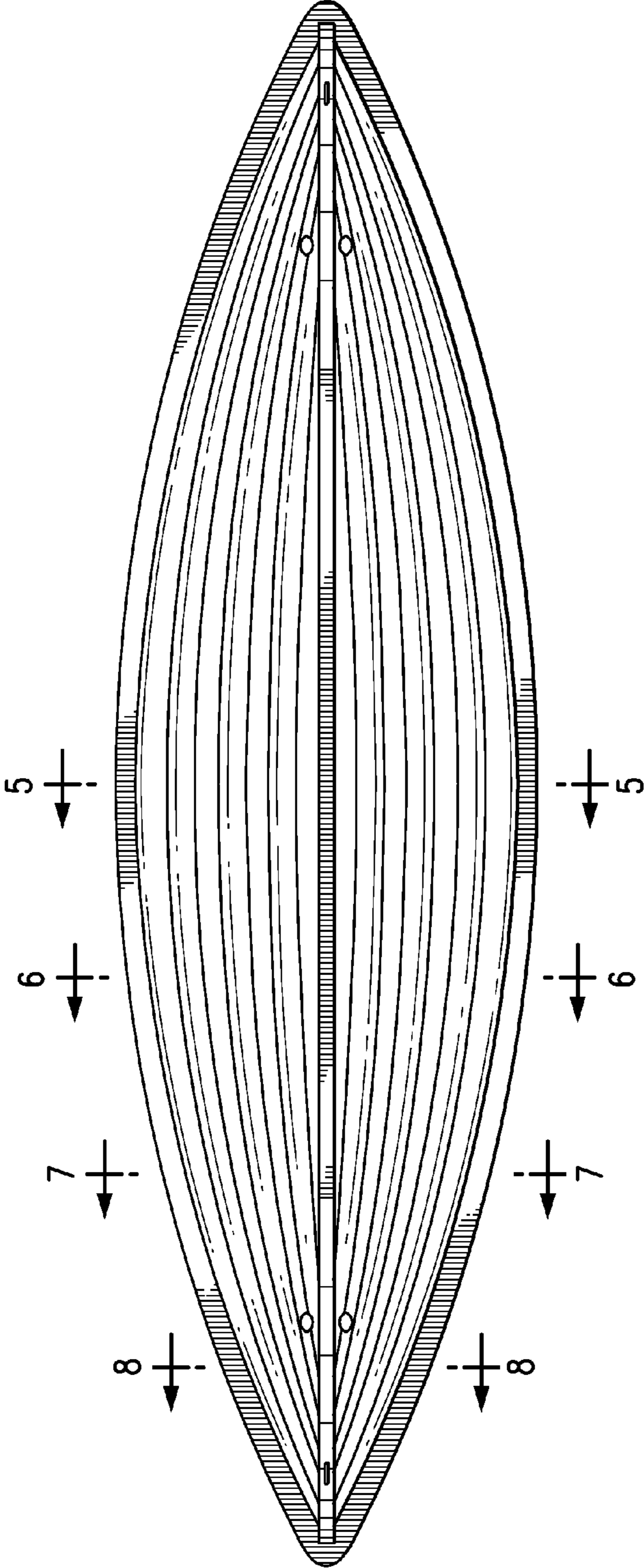


FIG. 3

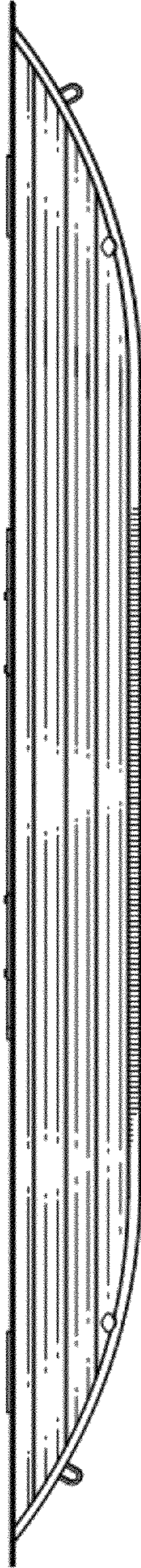


FIG. 4

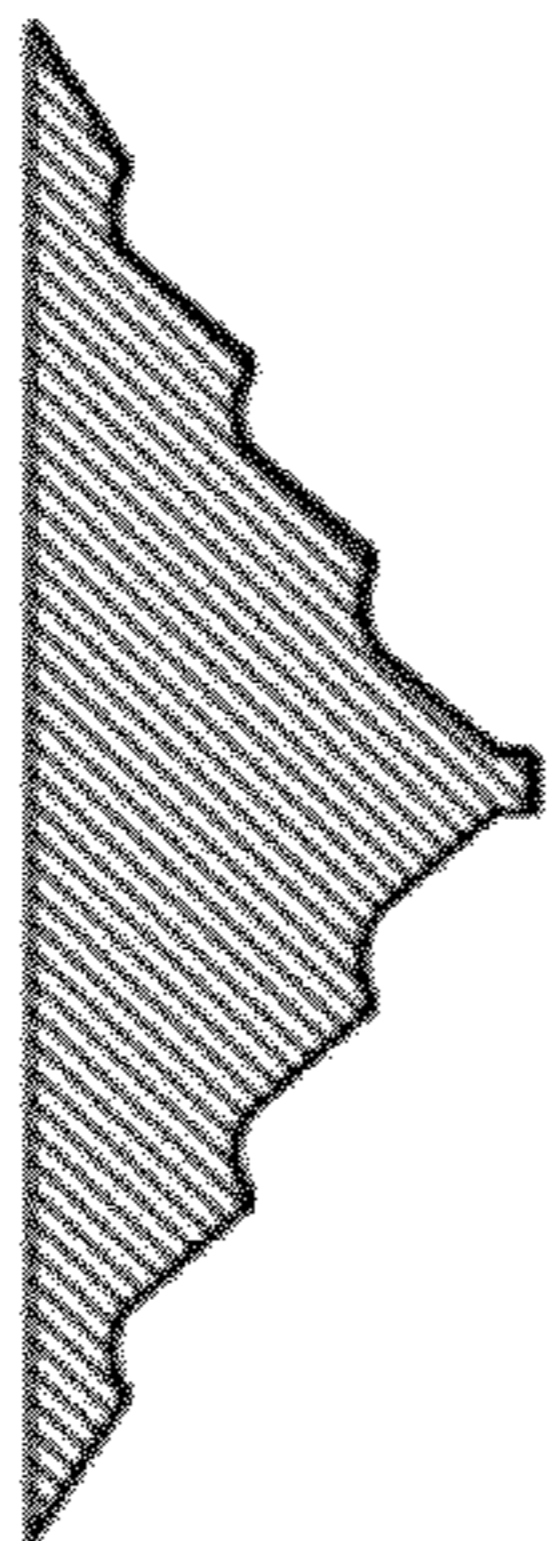


FIG. 5

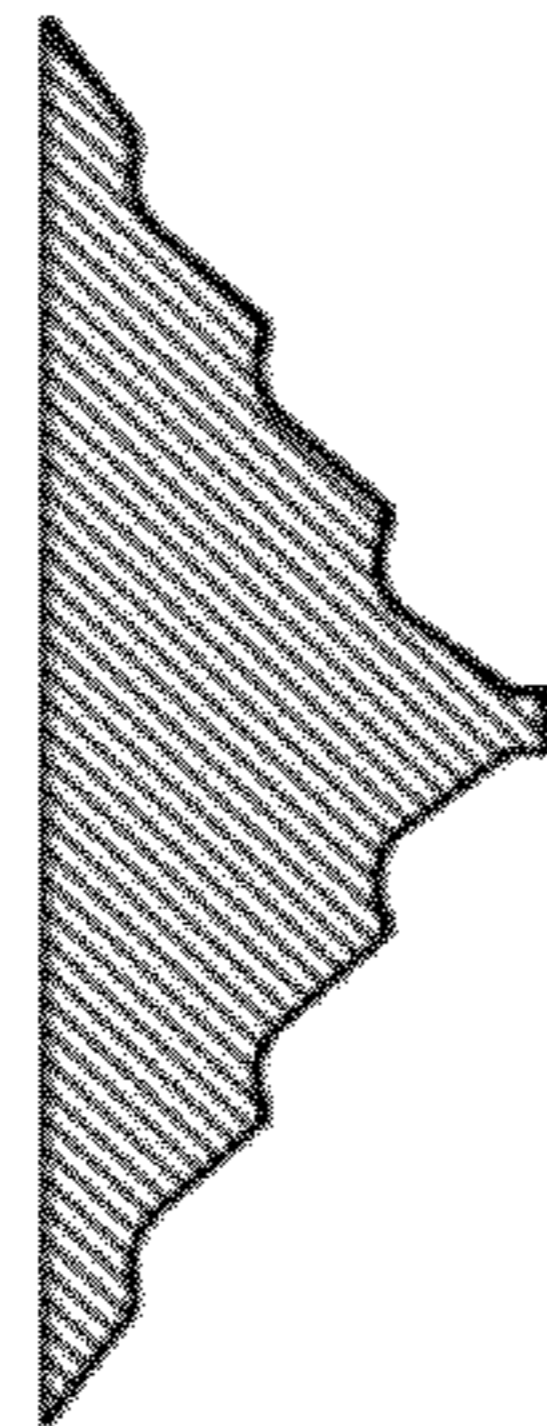


FIG. 6

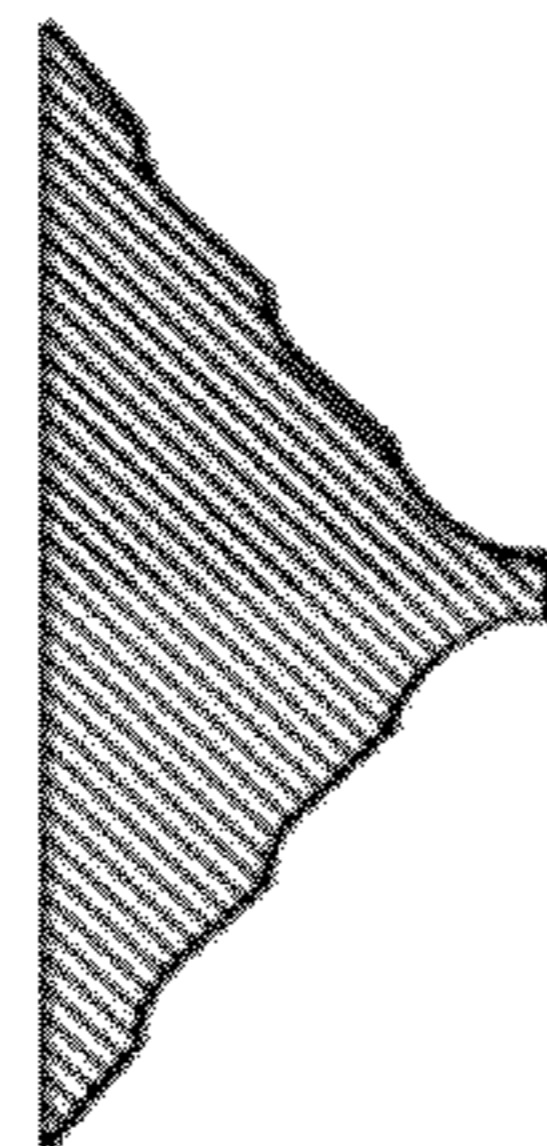


FIG. 7

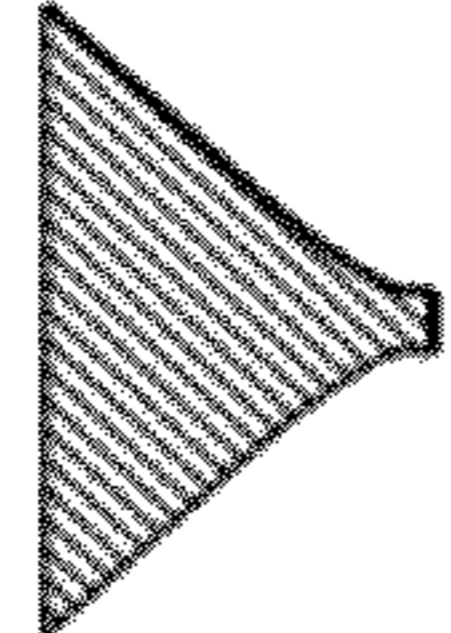


FIG. 8

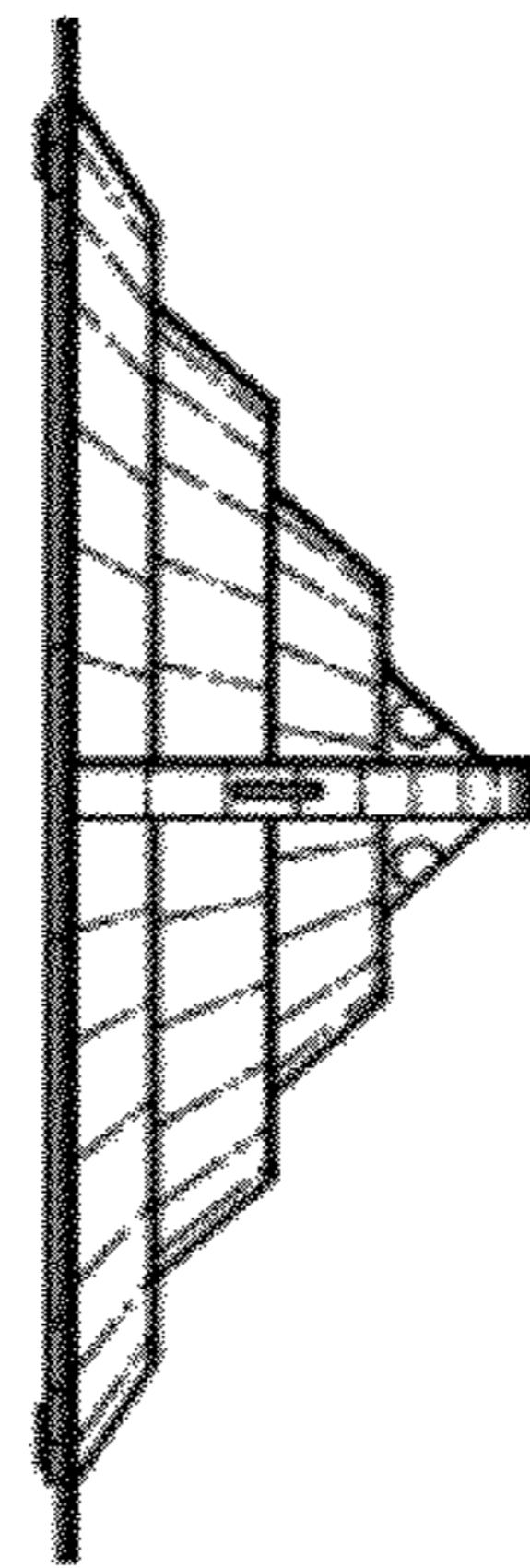


FIG. 9

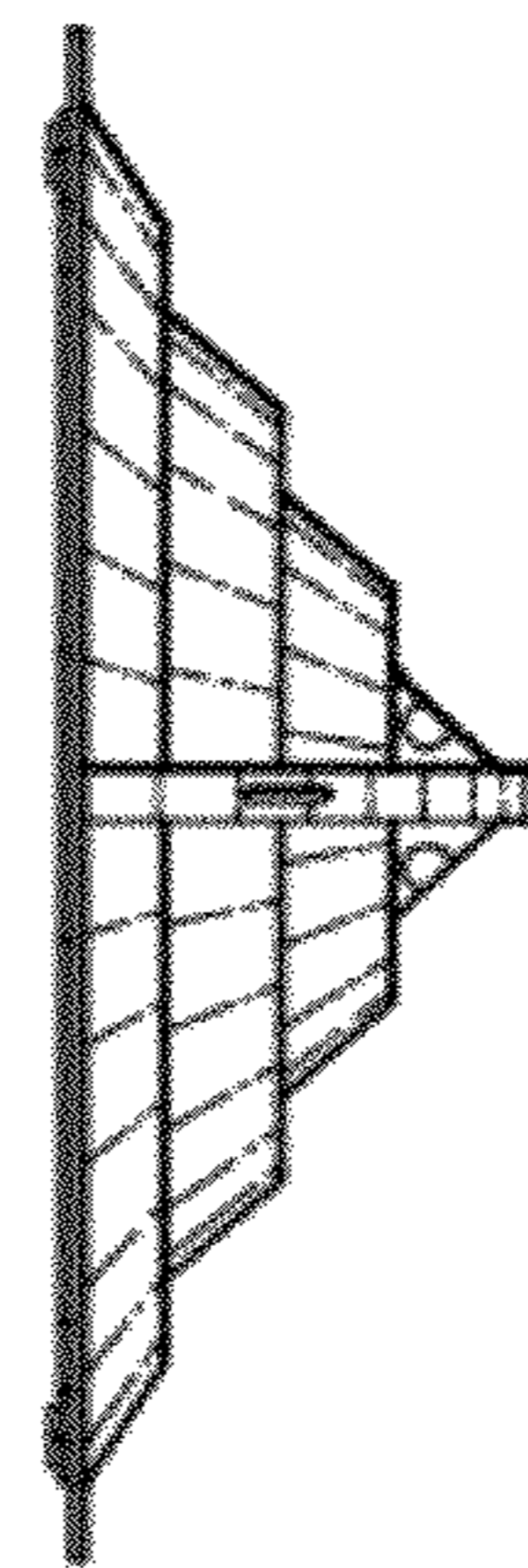


FIG. 10