



US00D666962S

(12) **United States Design Patent**  
**Kuo**

(10) **Patent No.:** **US D666,962 S**

(45) **Date of Patent:** **\*\* \*Sep. 11, 2012**

(54) **AIR HORN PEDESTAL**

(75) Inventor: **Jen-Yu Kuo**, Taichung (TW)

(73) Assignee: **Jen-Yu Kuo**, Taichung (TW)

(\*) Notice: This patent is subject to a terminal disclaimer.

(\*\*) Term: **14 Years**

(21) Appl. No.: **29/363,066**

(22) Filed: **Jun. 4, 2010**

(51) **LOC (9) Cl.** ..... **12-06**

(52) **U.S. Cl.** ..... **D12/223**

(58) **Field of Classification Search** ..... D12/223,  
D12/400; D8/349, 354, 382; 248/200, 300  
See application file for complete search history.

(56) **References Cited**

**U.S. PATENT DOCUMENTS**

1,391,688	A *	9/1921	Marsico	.....	248/300
1,729,419	A *	9/1929	Dorsey	.....	248/622
2,691,313	A *	10/1954	Olson	.....	248/287.1
D398,215	S *	9/1998	Richter	.....	D8/349
D417,135	S *	11/1999	McMahon	.....	D8/354

D442,197	S *	5/2001	Willet	.....	D15/143
D454,828	S *	3/2002	Alder	.....	D12/223
D540,735	S *	4/2007	Jen-Yu	.....	D12/223
D560,483	S *	1/2008	Mercier	.....	D8/395
D595,565	S *	7/2009	Robertson et al.	.....	D8/354

\* cited by examiner

*Primary Examiner* — Cynthia M Chin

*Assistant Examiner* — Sheryl Lane

(74) *Attorney, Agent, or Firm* — CKC & Partners Co., Ltd.

(57) **CLAIM**

The ornamental design for an air horn pedestal, as shown and described.

**DESCRIPTION**

FIG. 1 is a perspective view of an air horn pedestal showing my new design;

FIG. 2 is a front view thereof;

FIG. 3 is a rear view thereof;

FIG. 4 is a left side view thereof;

FIG. 5 is a right side view thereof;

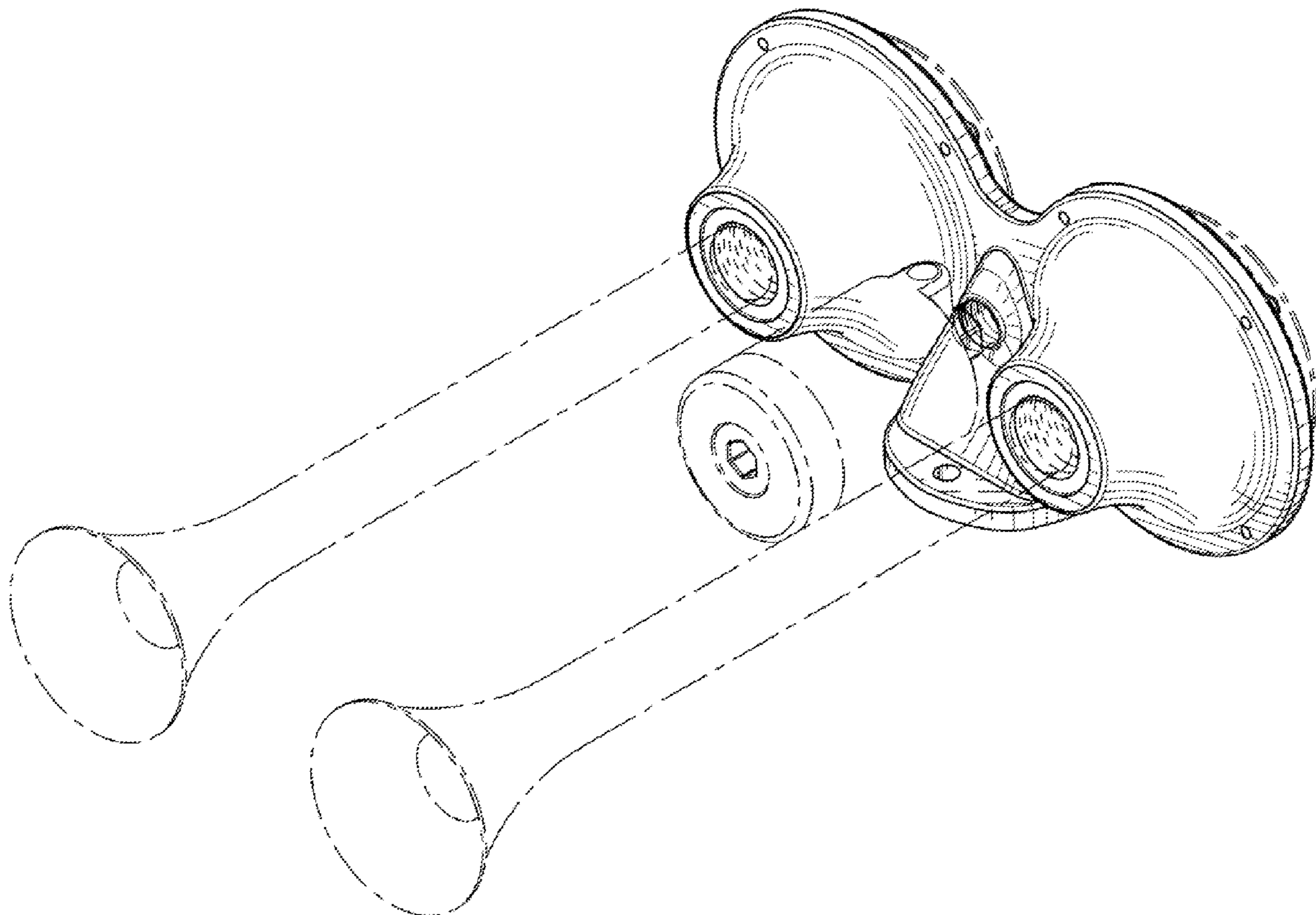
FIG. 6 is a top view thereof;

FIG. 7 is a bottom view thereof; and,

FIG. 8 is an environmental perspective view thereof.

The broken lines shown represent unclaimed subject matter and form no part of the claimed design.

**1 Claim, 5 Drawing Sheets**



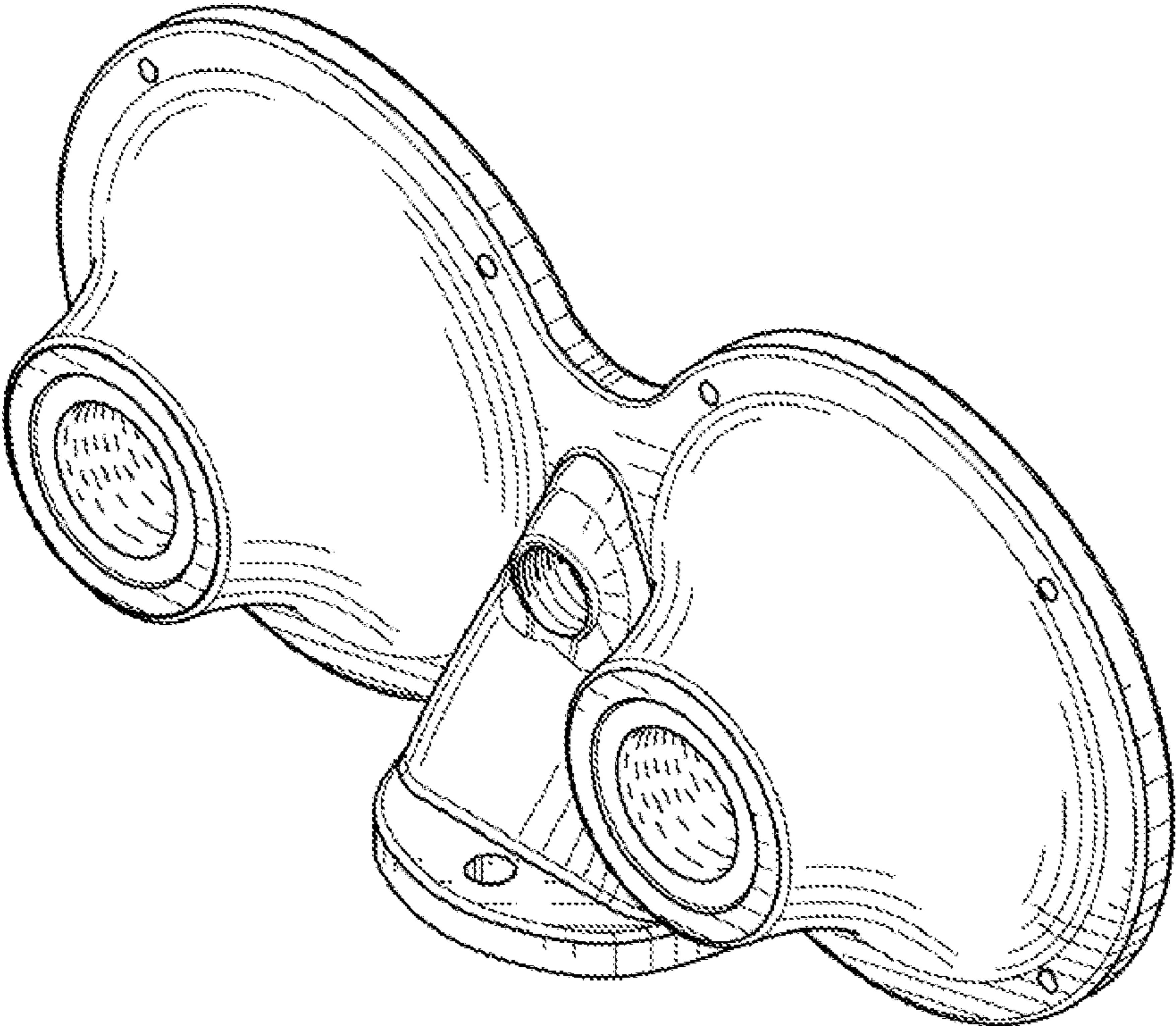


Fig. 1

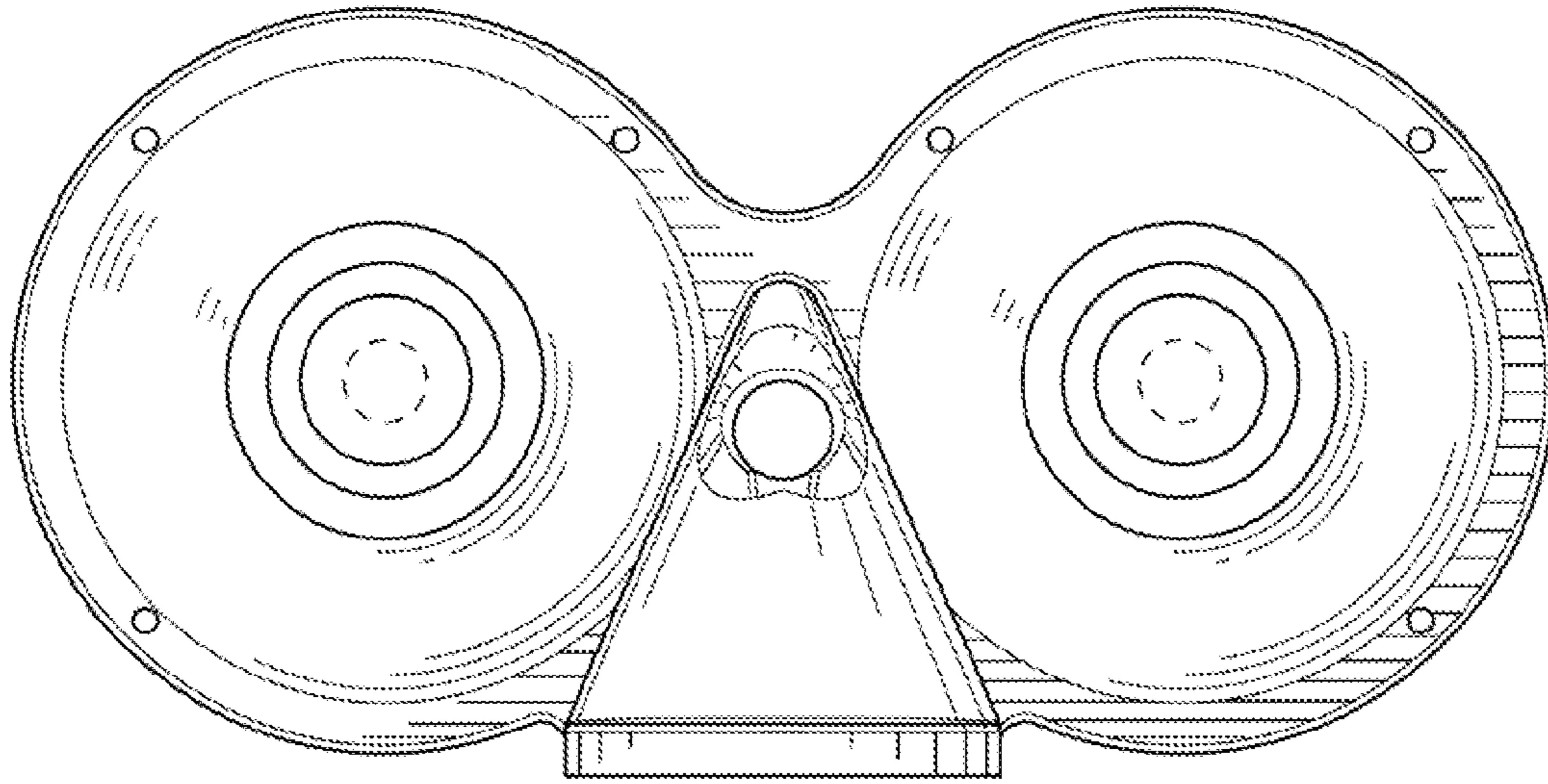


Fig. 2

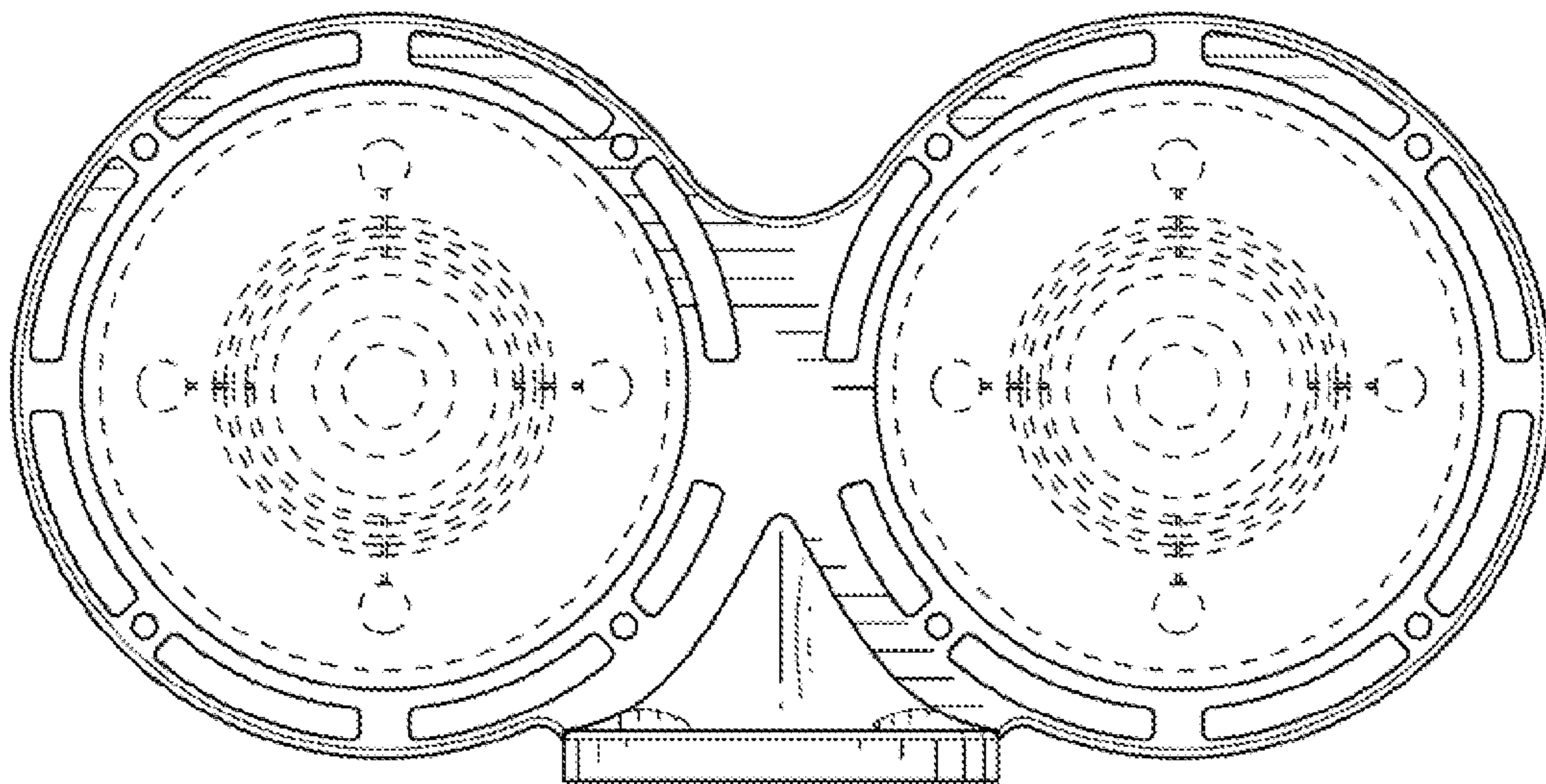


Fig. 3



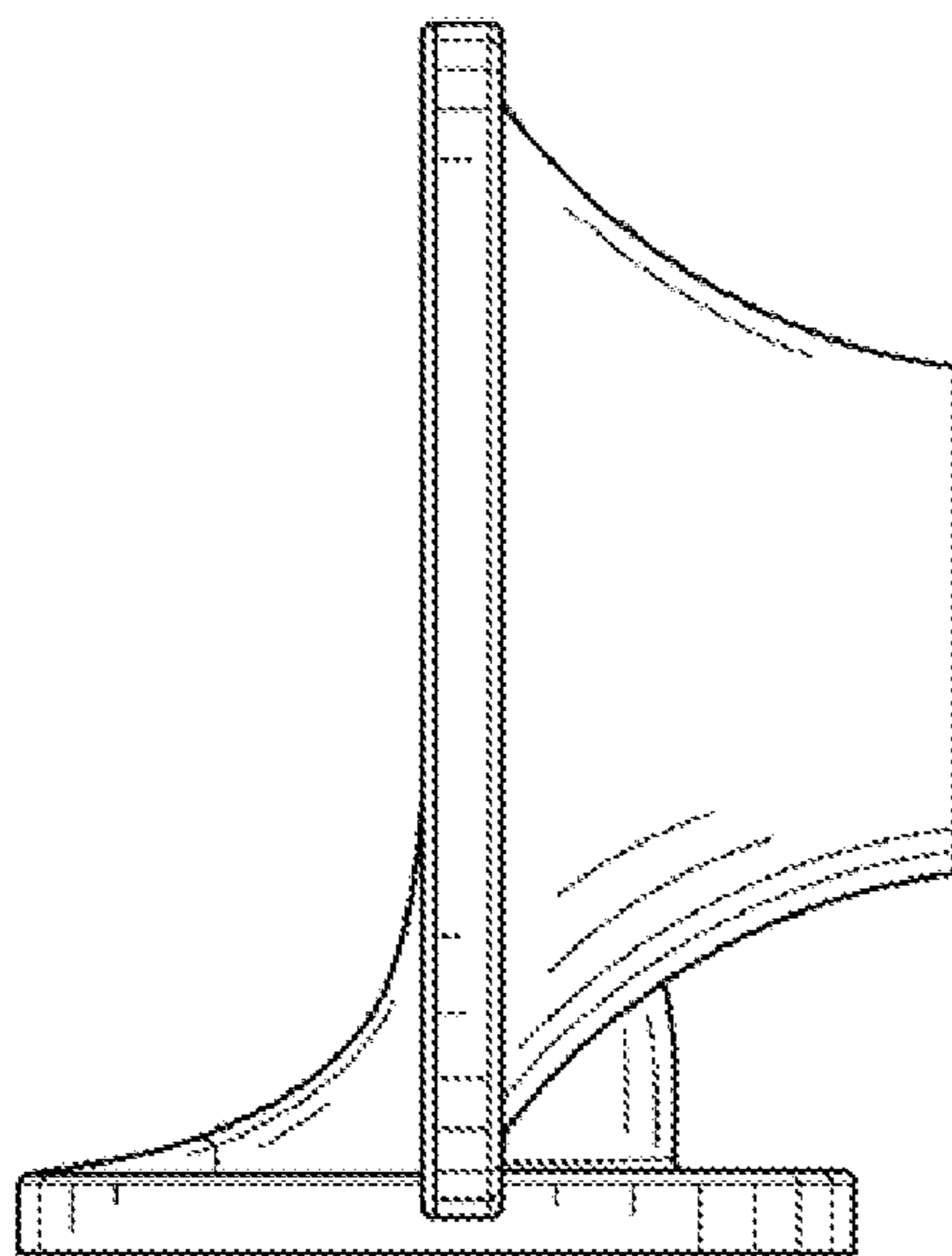


Fig. 4

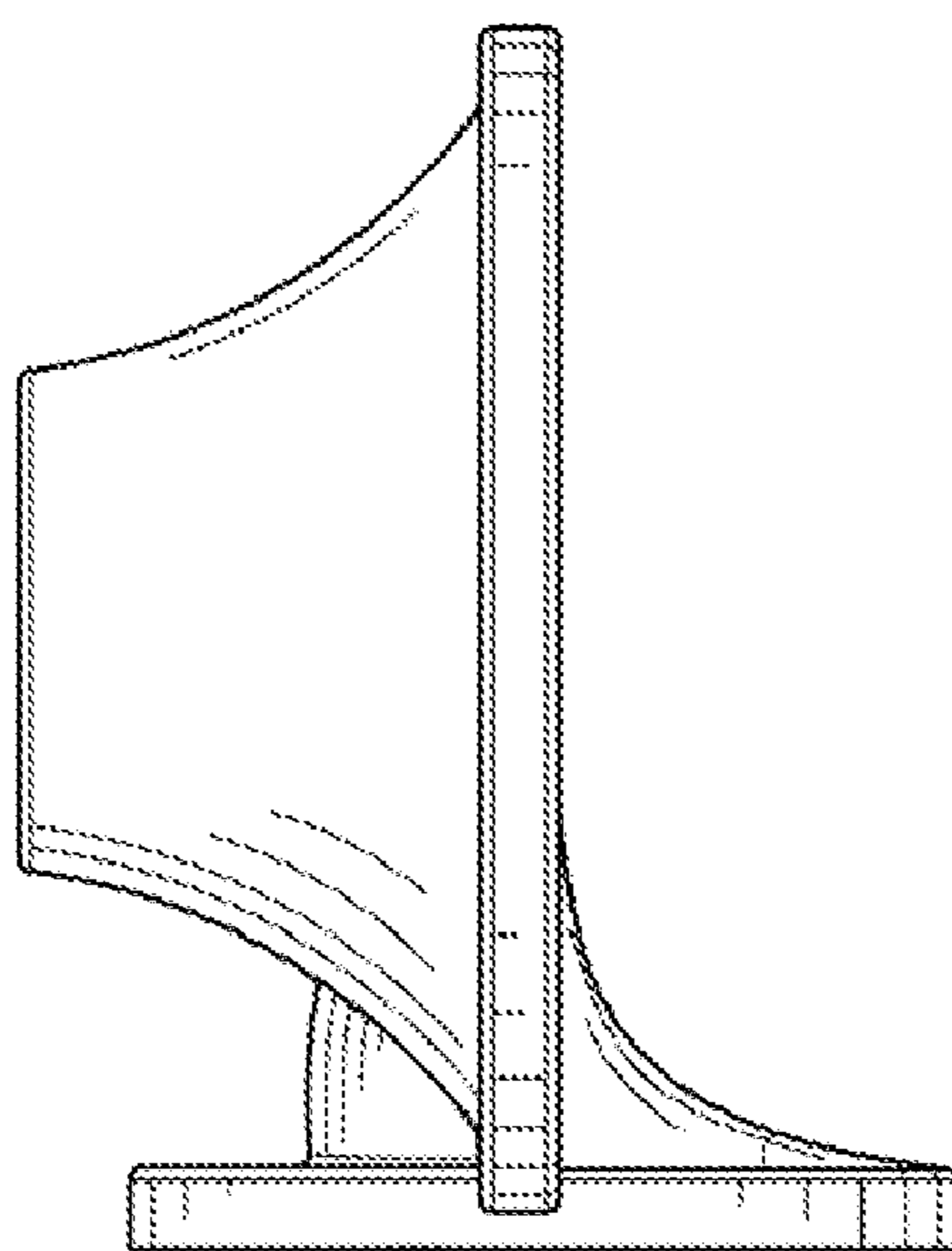


Fig. 5

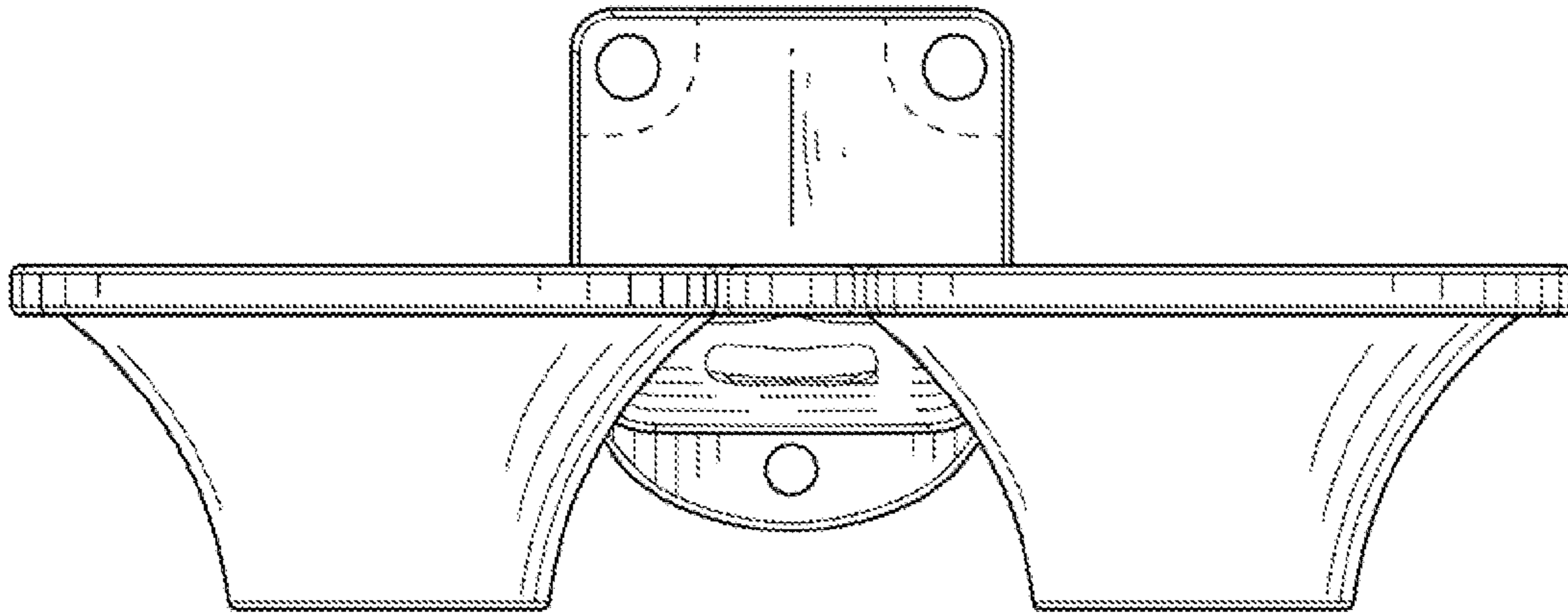


Fig. 6

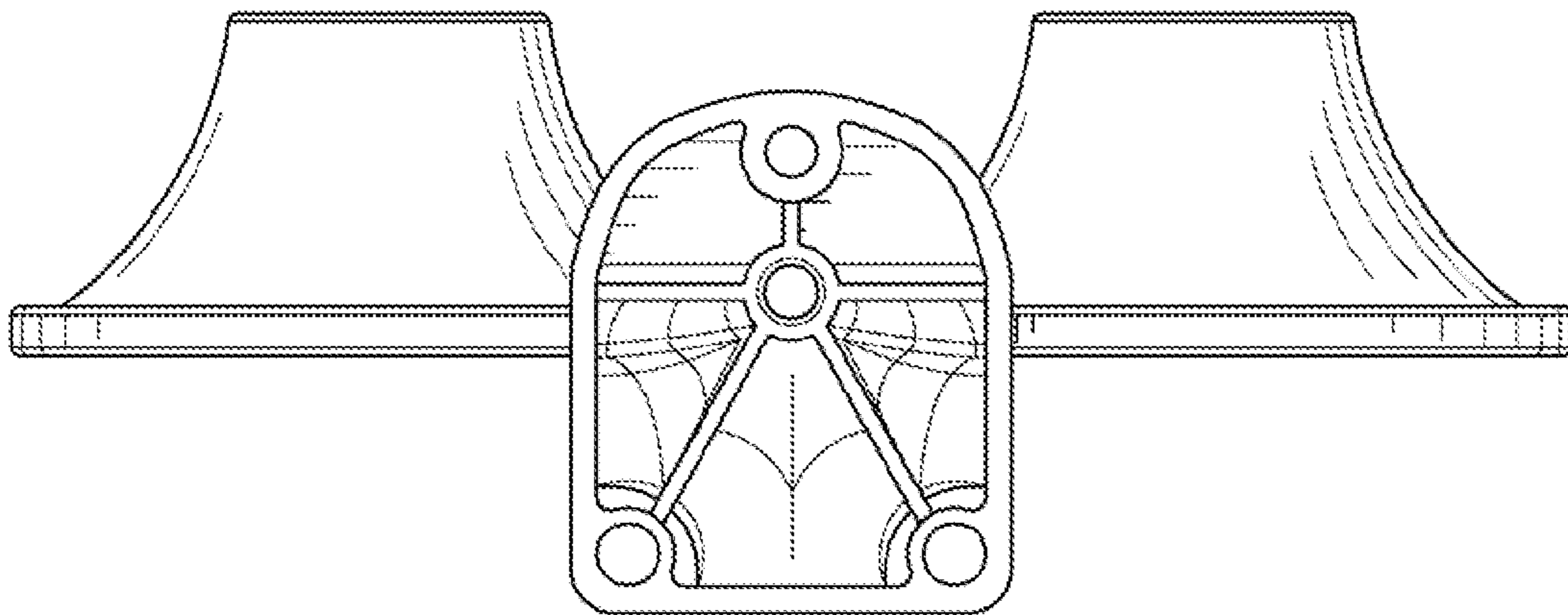


Fig. 7

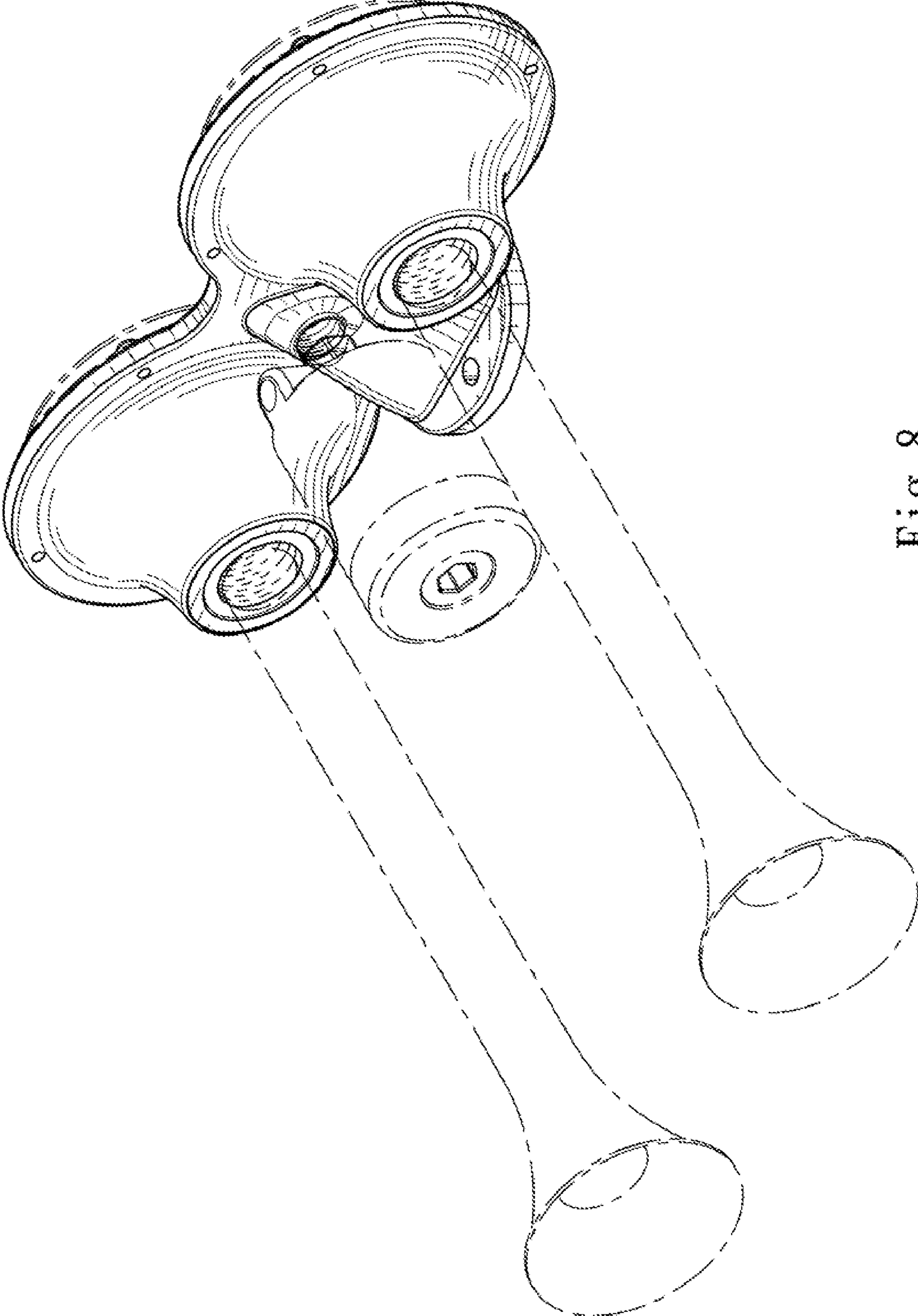


Fig. 8