



US00D666958S

(12) **United States Design Patent**
Suzuki

(10) **Patent No.:** **US D666,958 S**

(45) **Date of Patent:** **** Sep. 11, 2012**

(54) **WHEEL FOR AUTOMOBILES**

(75) **Inventor:** **Takahiro Suzuki, Wako (JP)**

(73) **Assignee:** **Honda Motor Co., Ltd., Tokyo (JP)**

(**) **Term:** **14 Years**

(21) **Appl. No.:** **29/412,760**

(22) **Filed:** **Feb. 7, 2012**

(30) **Foreign Application Priority Data**

Aug. 8, 2011 (JP) 2011-018173

(51) **LOC (9) Cl.** **12-16**

(52) **U.S. Cl.** **D12/211**

(58) **Field of Classification Search** D12/204-213;
301/37.101, 64.101, 65, 64.201

See application file for complete search history.

(56) **References Cited**

U.S. PATENT DOCUMENTS

D431,514 S *	10/2000	Cullen	D12/209
D569,322 S *	5/2008	Scheu	D12/211
D581,852 S *	12/2008	Scheu	D12/211
D588,517 S *	3/2009	Aroney	D12/211
D590,322 S *	4/2009	Rak	D12/211
D594,800 S *	6/2009	Blasi	D12/209
D626,051 S *	10/2010	Fisker et al.	D12/209
D644,589 S *	9/2011	Fisker et al.	D12/211
D655,657 S *	3/2012	Juergens et al.	D12/209

* cited by examiner

Primary Examiner — Stacia Cadmus

(74) *Attorney, Agent, or Firm* — Plumsea Law Group, LLC

(57) **CLAIM**

The ornamental design for a wheel for automobiles, as shown and described.

DESCRIPTION

FIG. 1 is an elevational view of a wheel for automobiles showing my new design; and, FIG. 2 is a perspective view thereof.

The broken line showings form no part of the claimed design.

1 Claim, 1 Drawing Sheet

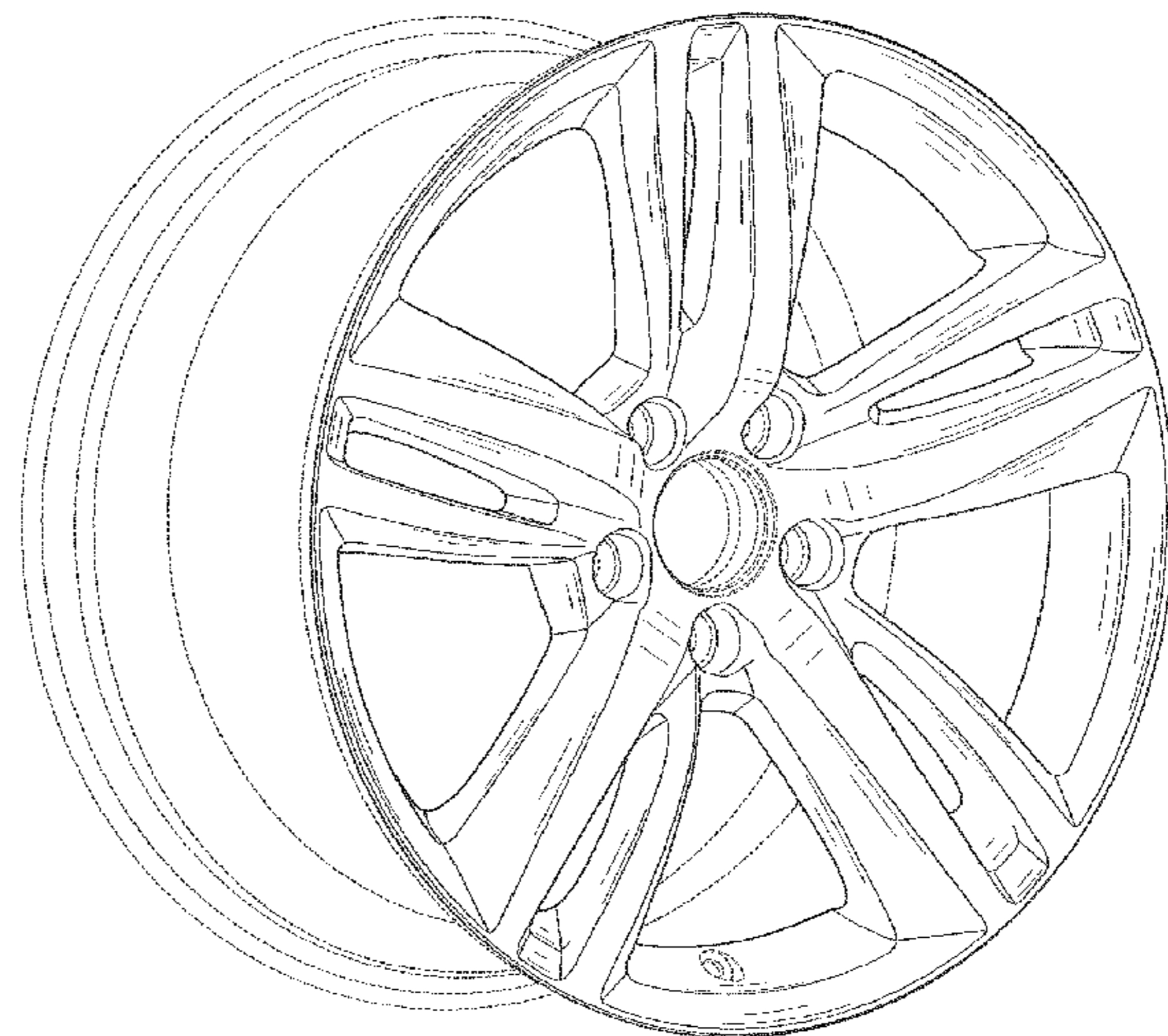
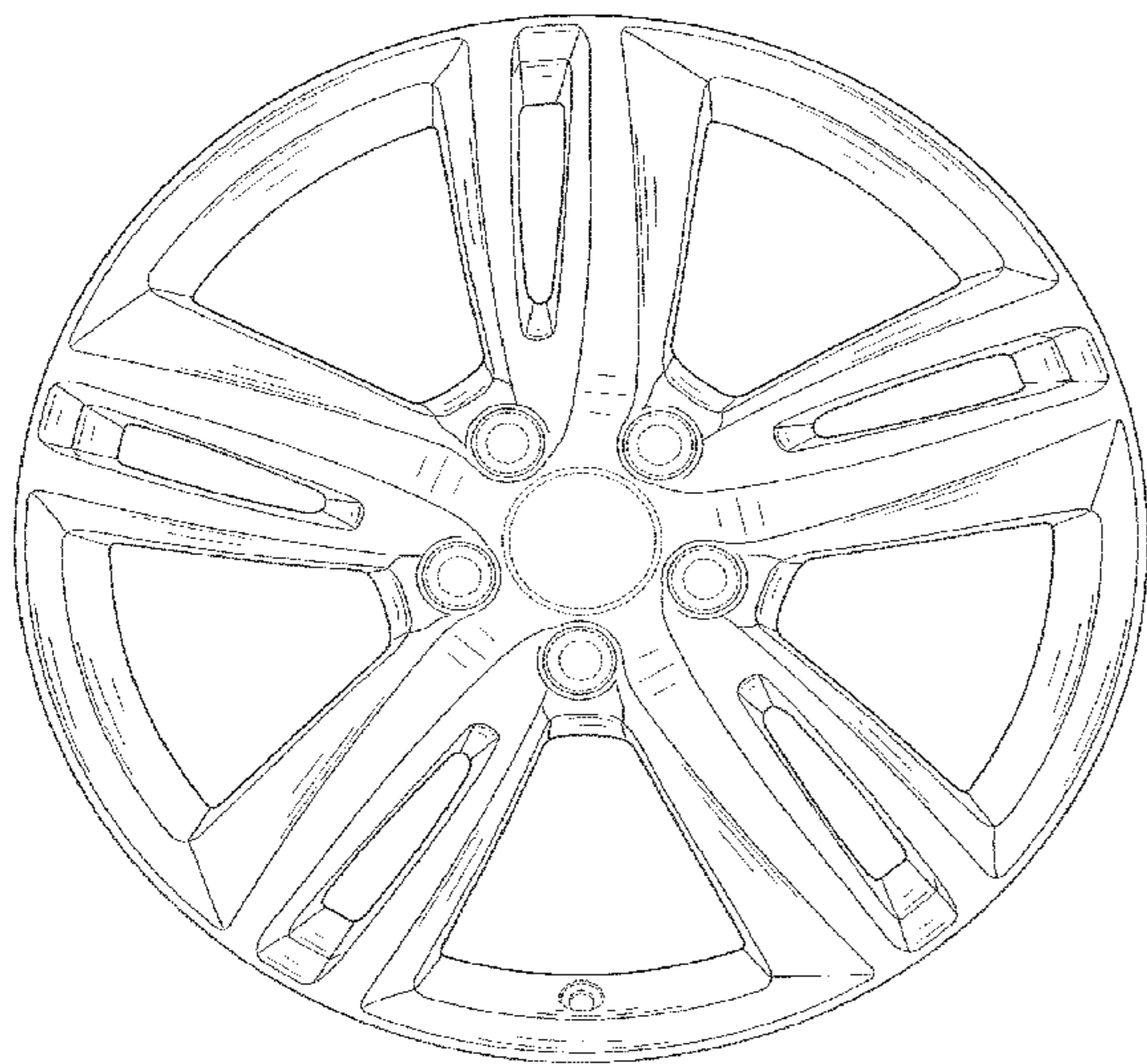


FIG. 1

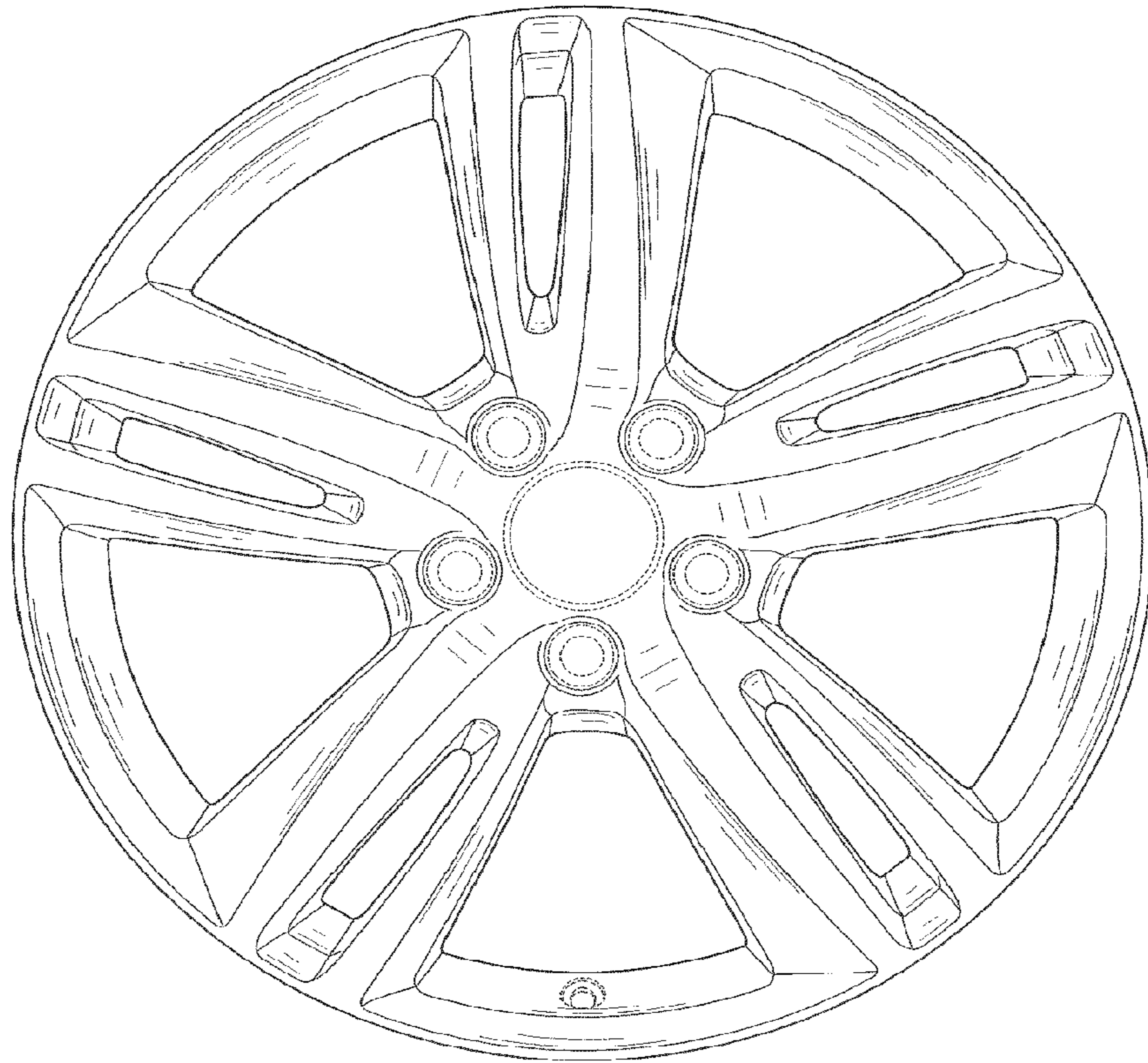


FIG. 2

