

US00D666957S

(12) **United States Design Patent**
Antoniadis et al.

(10) **Patent No.:** **US D666,957 S**
(45) **Date of Patent:** **** Sep. 11, 2012**

(54) **WHEEL OR WHEEL COVER**

(75) Inventors: **Apostolos Antoniadis**, Stuttgart (DE);
Klaus Frenzel, Stuttgart (DE);
Hans-Dieter Futschik, Stuttgart (DE);
Stefan Handt, Stuttgart (DE)

(73) Assignee: **Daimler AG**, Stuttgart (DE)

(**) Term: **14 Years**

(21) Appl. No.: **29/412,228**

(22) Filed: **Feb. 1, 2012**

(30) **Foreign Application Priority Data**

Aug. 2, 2011 (EM) 001899717-0002

(51) **LOC (9) Cl.** **12-16**

(52) **U.S. Cl.** **D12/211**

(58) **Field of Classification Search** D12/204-213;
301/37.101, 64.101, 65, 64.201

See application file for complete search history.

(56) **References Cited**

U.S. PATENT DOCUMENTS

D429,681	S	*	8/2000	Cullen	D12/211
D487,046	S	*	2/2004	Yamagishi	D12/209
D510,554	S	*	10/2005	Markefka	D12/211
D526,610	S	*	8/2006	Muzzarelli	D12/211
D530,258	S	*	10/2006	Schell	D12/211
D582,335	S	*	12/2008	Rak	D12/211
D621,317	S	*	8/2010	Antoniadis et al.	D12/209
D639,716	S	*	6/2011	Juergens et al.	D12/211
D644,585	S	*	9/2011	Antoniadis et al.	D12/209

* cited by examiner

Primary Examiner — Stacia Cadmus

(74) *Attorney, Agent, or Firm* — Crowell & Moring LLP

(57) **CLAIM**

The ornamental design for a wheel or wheel cover, as shown and described.

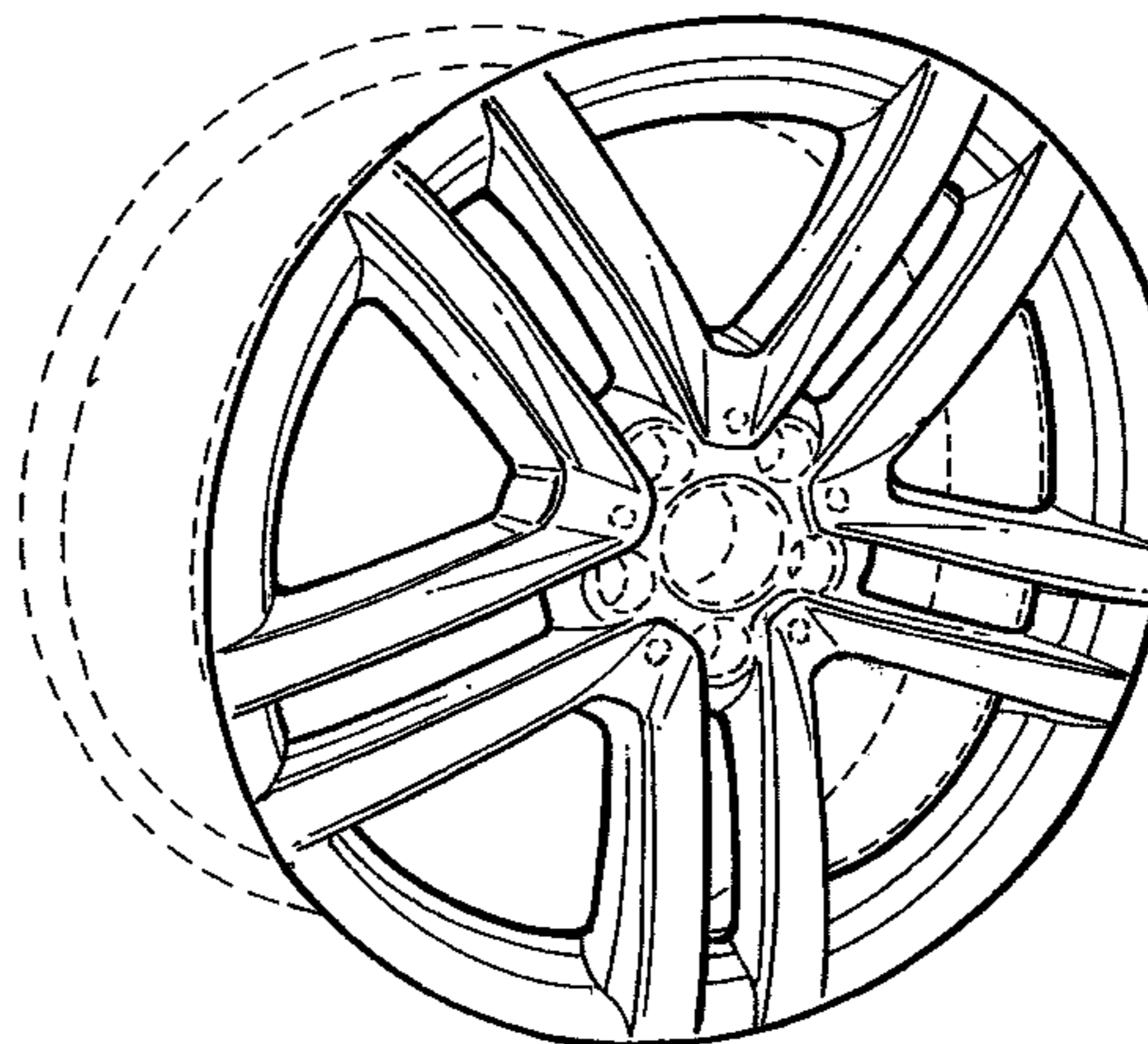
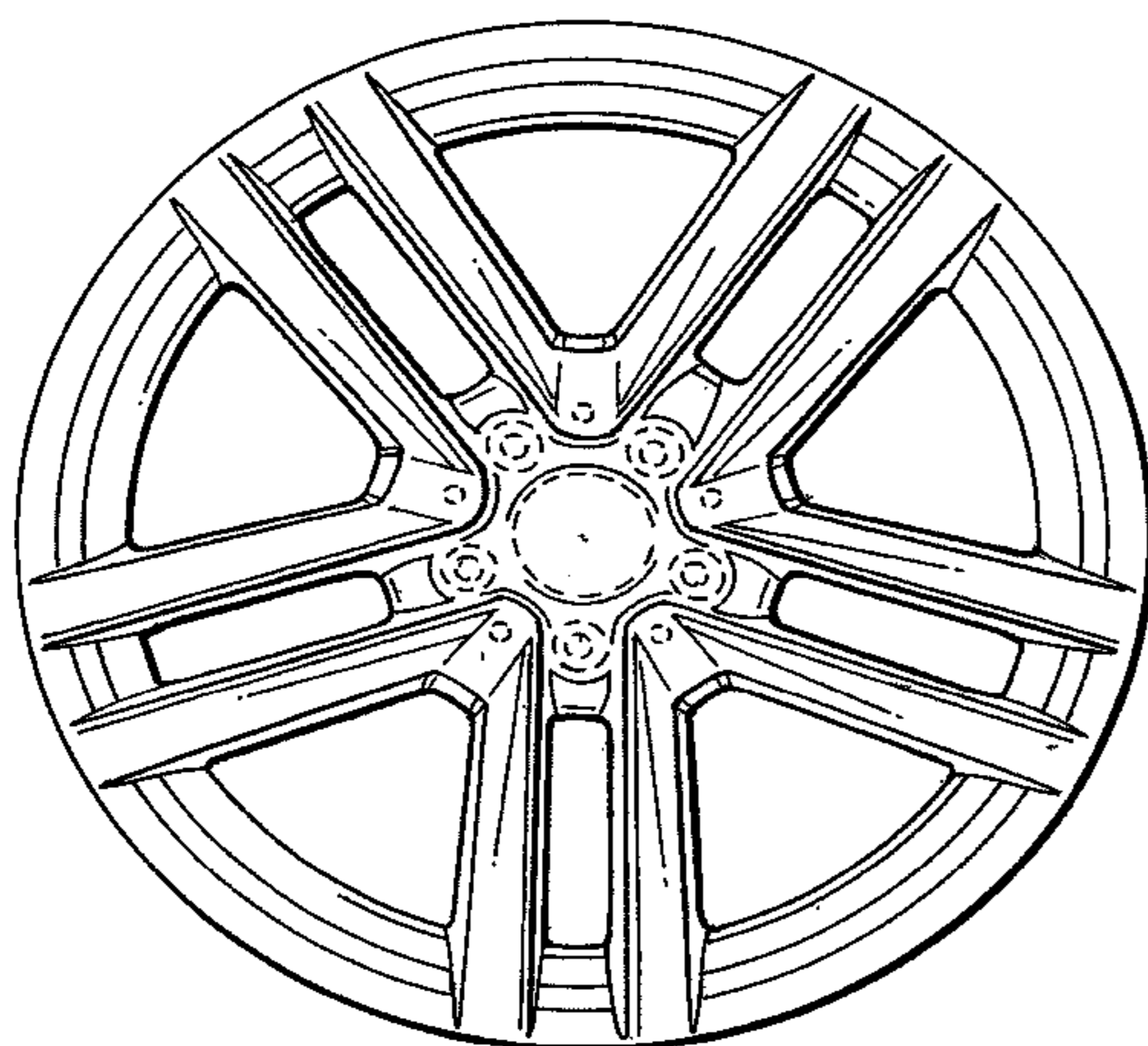
DESCRIPTION

FIG. 1 is a front view of a wheel or wheel cover according to our design; and,

FIG. 2 is a perspective view thereof.

The broken line showing of the rear of the wheel and the bolt holes and center opening in the central hub area is included for the purpose of illustrating environment and forms no part of the claimed design.

1 Claim, 1 Drawing Sheet



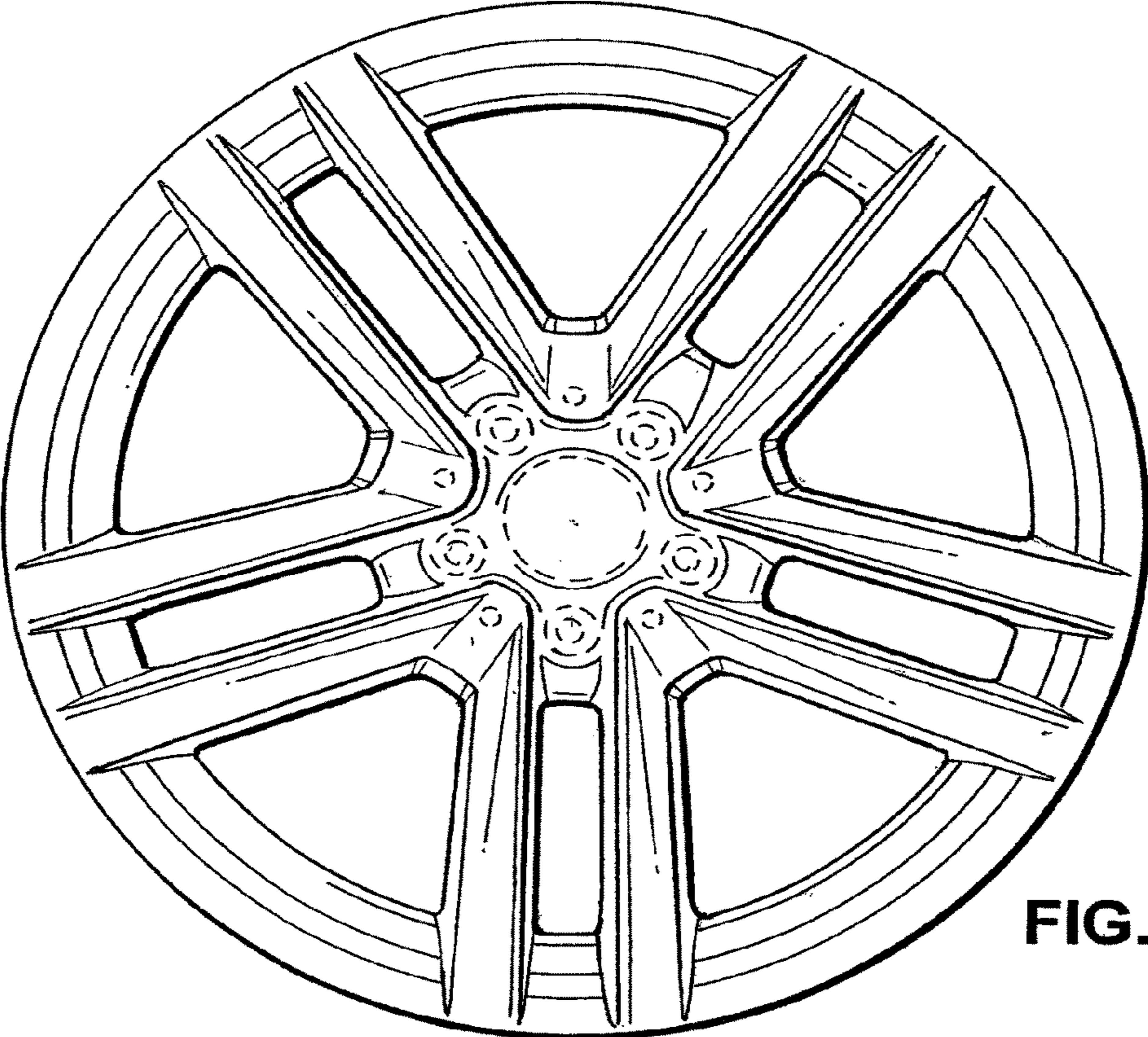


FIG. 1

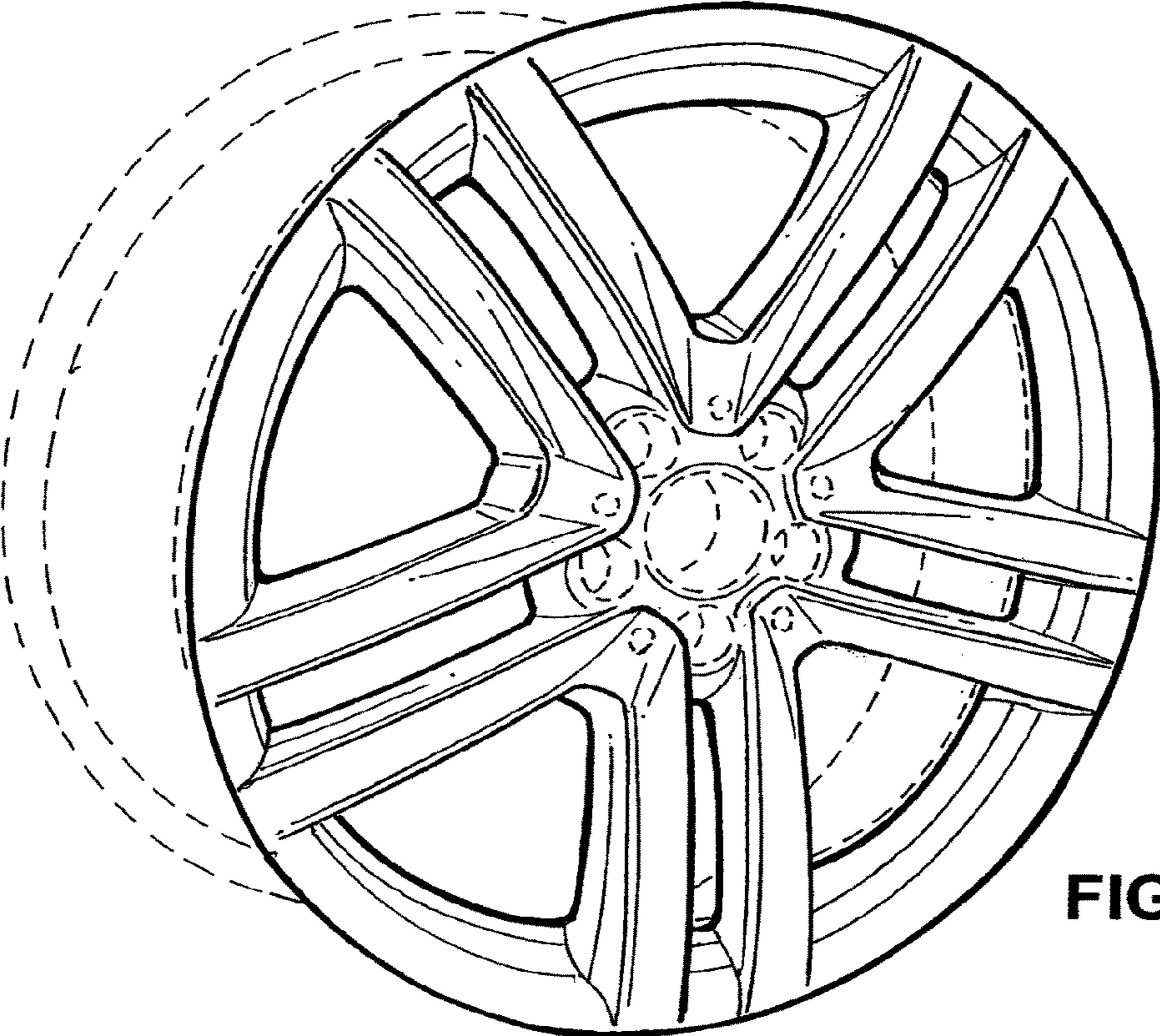


FIG. 2