

US00D666956S

(12) **United States Design Patent**
Hermann et al.

(10) **Patent No.:** **US D666,956 S**

(45) **Date of Patent:** **** Sep. 11, 2012**

(54) **WHEEL OR WHEEL COVER**

(75) Inventors: **Torsten Hermann**, Affalterbach (DE);
Kai Hilpert, Stuttgart (DE)

(73) Assignee: **Daimler AG**, Stuttgart (DE)

(**) Term: **14 Years**

(21) Appl. No.: **29/371,524**

(22) Filed: **Mar. 31, 2011**

(30) **Foreign Application Priority Data**

Oct. 1, 2010 (EM) 001762352-0001

(51) **LOC (9) Cl.** **12-16**

(52) **U.S. Cl.** **D12/211**

(58) **Field of Classification Search** D12/204-213;
301/37.101, 64.101, 65, 64.201

See application file for complete search history.

(56) **References Cited**

U.S. PATENT DOCUMENTS

D470,093 S * 2/2003 Frizzi D12/209
D522,946 S * 6/2006 Hieke D12/209
D578,949 S * 10/2008 Hieke D12/211

D582,328 S * 12/2008 Hieke D12/209
D604,222 S * 11/2009 Krisch D12/211
D618,150 S * 6/2010 Hilpert D12/209
D638,772 S * 5/2011 Hans et al. D12/211
D639,717 S * 6/2011 Chung D12/211
D649,105 S * 11/2011 Hilpert et al. D12/211
D649,923 S * 12/2011 Hans et al. D12/211

* cited by examiner

Primary Examiner — Stacia Cadmus

(74) *Attorney, Agent, or Firm* — Crowell & Moring LLP

(57) **CLAIM**

The ornamental design for a wheel or wheel cover, as shown and described.

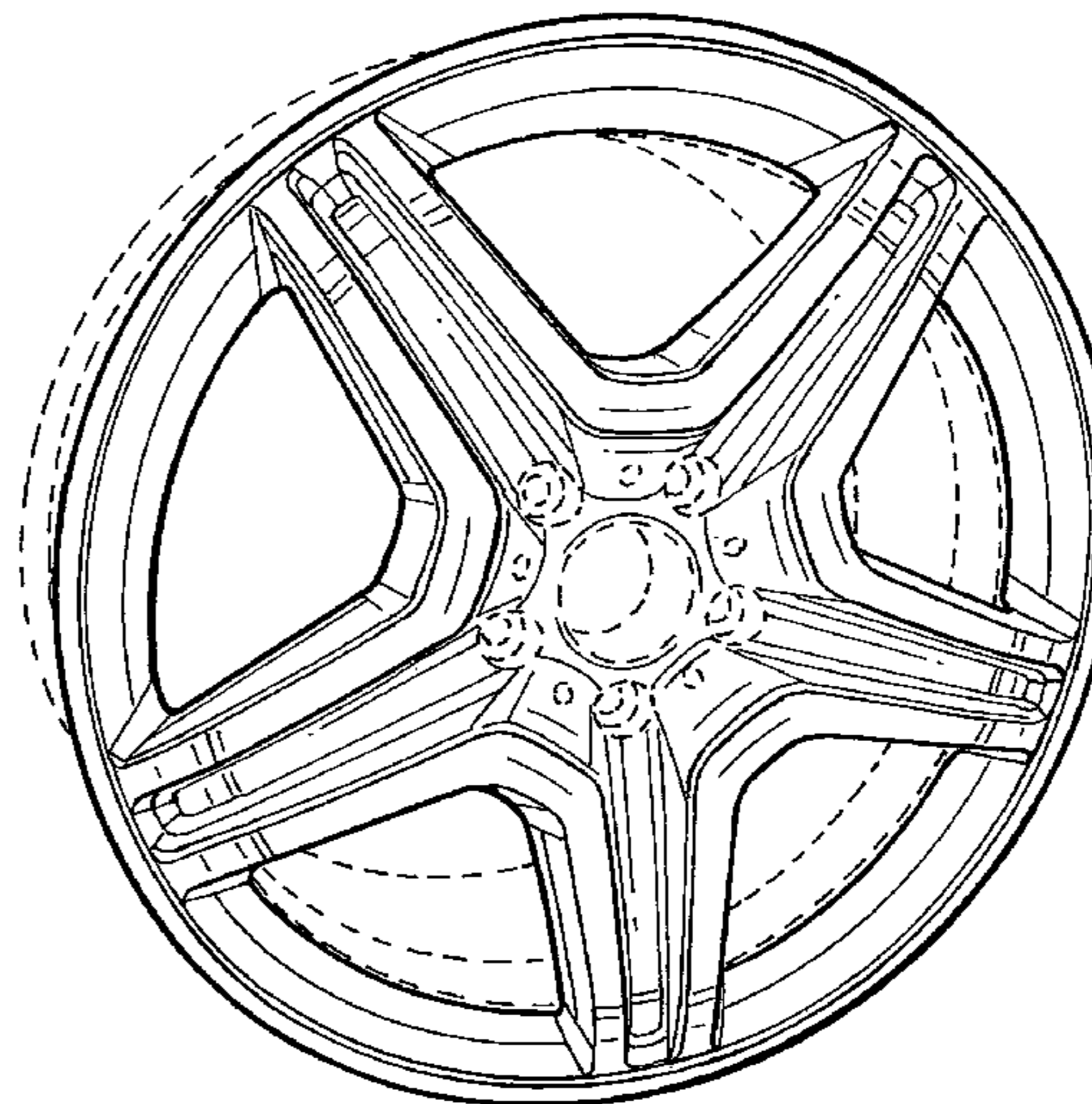
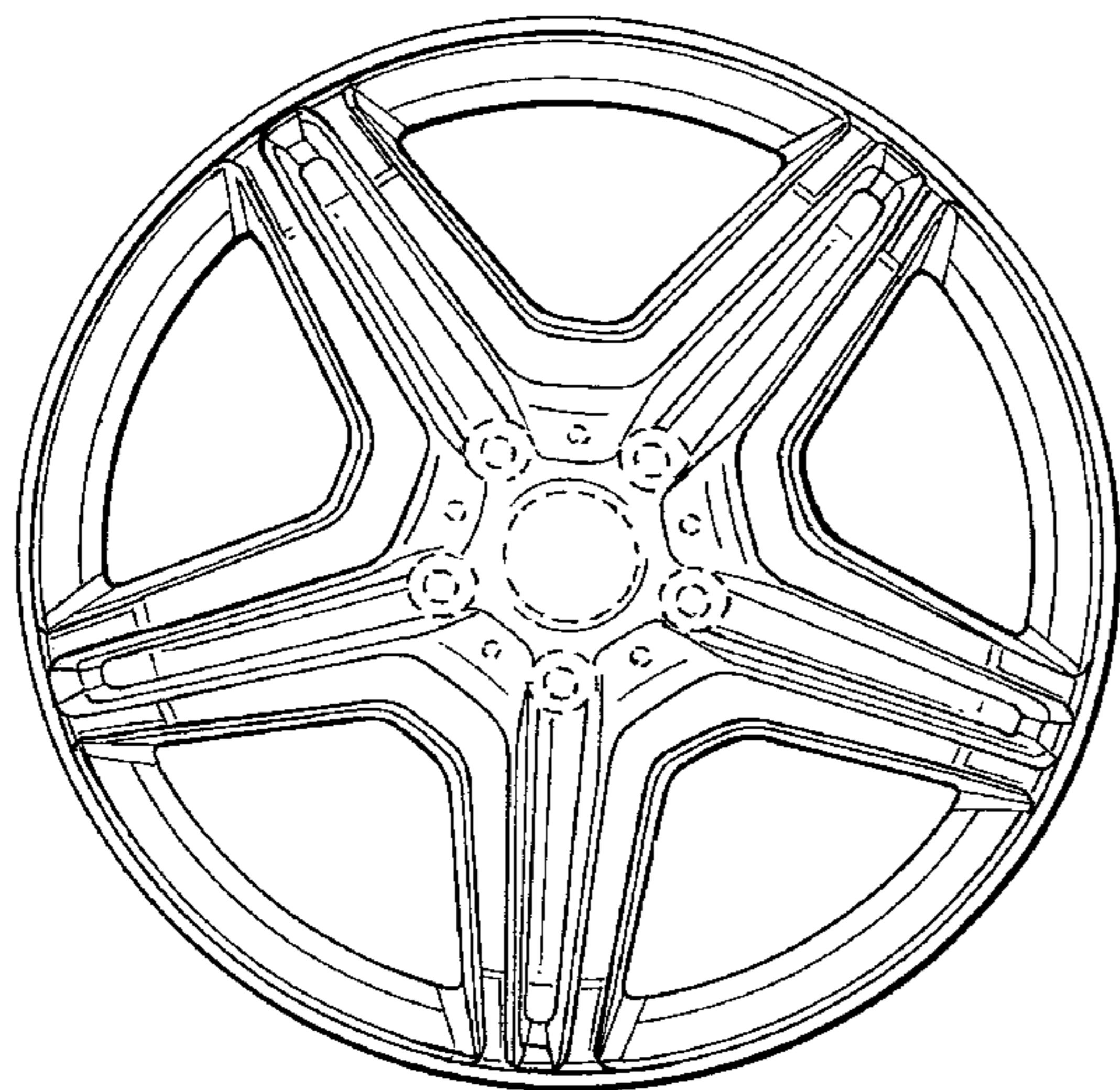
DESCRIPTION

FIG. 1 is a front view of a wheel or wheel cover according to our design; and,

FIG. 2 is a perspective view thereof.

The broken line showing of the rear of the wheel and the bolt holes and center opening in the central hub area is included for the purpose of illustrating environment and forms no part of the claimed design.

1 Claim, 1 Drawing Sheet



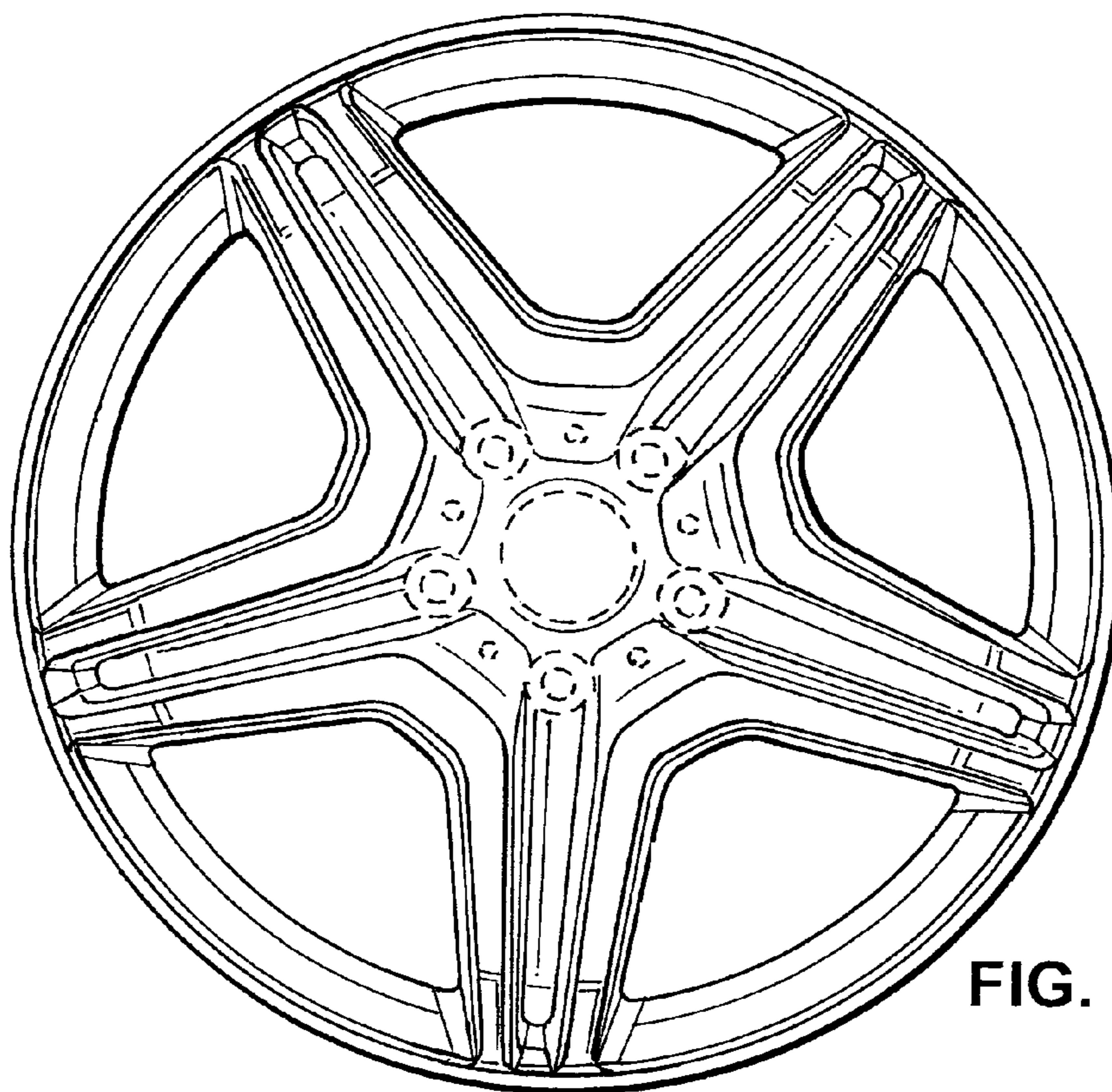


FIG. 1

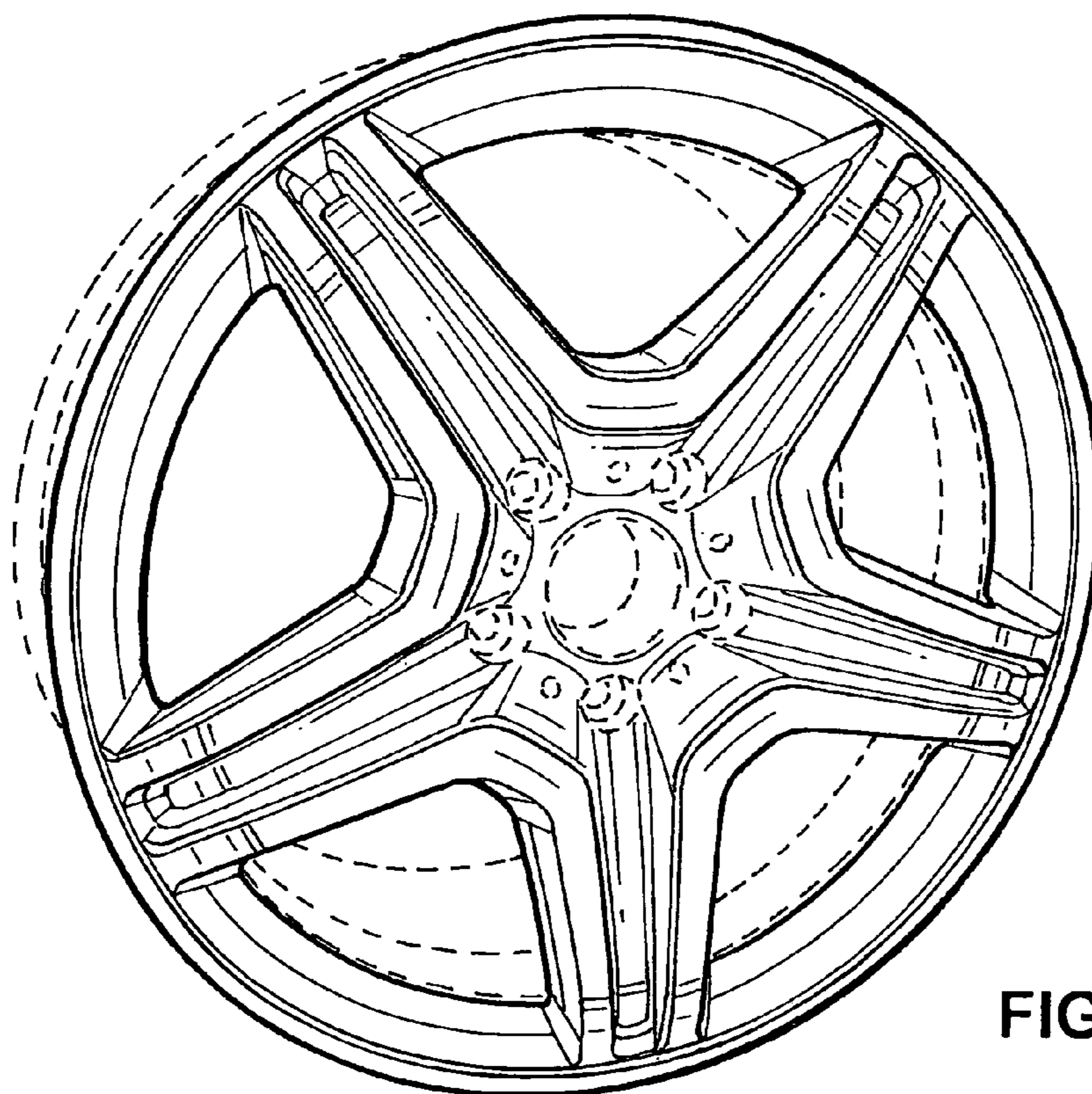


FIG. 2