



US00D666954S

(12) **United States Design Patent**  
**Antoniadis et al.**

(10) **Patent No.:** **US D666,954 S**

(45) **Date of Patent:** **\*\* Sep. 11, 2012**

(54) **WHEEL OR WHEEL COVER**

(75) Inventors: **Apostolos Antoniadis**, Stuttgart (DE);  
**Klaus Frenzel**, Stuttgart (DE);  
**Hans-Dieter Futschik**, Stuttgart (DE);  
**Stefan Handt**, Stuttgart (DE)

(73) Assignee: **Daimler AG**, Stuttgart (DE)

(\*\*) Term: **14 Years**

(21) Appl. No.: **29/412,229**

(22) Filed: **Feb. 1, 2012**

(30) **Foreign Application Priority Data**

Aug. 2, 2011 (EM) ..... 001899717-0003

(51) **LOC (9) Cl.** ..... **12-16**

(52) **U.S. Cl.** ..... **D12/209**

(58) **Field of Classification Search** ..... D12/204-213;  
301/37.101, 64.101, 65, 64.201

See application file for complete search history.

(56) **References Cited**

**U.S. PATENT DOCUMENTS**

D487,046 S \* 2/2004 Yamagishi ..... D12/209

D510,554 S \* 10/2005 Markefka ..... D12/211  
D558,118 S \* 12/2007 Hueller ..... D12/211  
D613,657 S \* 4/2010 Cortes ..... D12/209  
D621,317 S \* 8/2010 Antoniadis et al. .... D12/209  
D625,675 S \* 10/2010 Juergens et al. .... D12/209  
D639,716 S \* 6/2011 Juergens et al. .... D12/211  
D644,585 S \* 9/2011 Antoniadis et al. .... D12/209

\* cited by examiner

*Primary Examiner* — Stacia Cadmus

(74) *Attorney, Agent, or Firm* — Crowell & Moring LLP

(57) **CLAIM**

The ornamental design for a wheel or wheel cover, as shown and described.

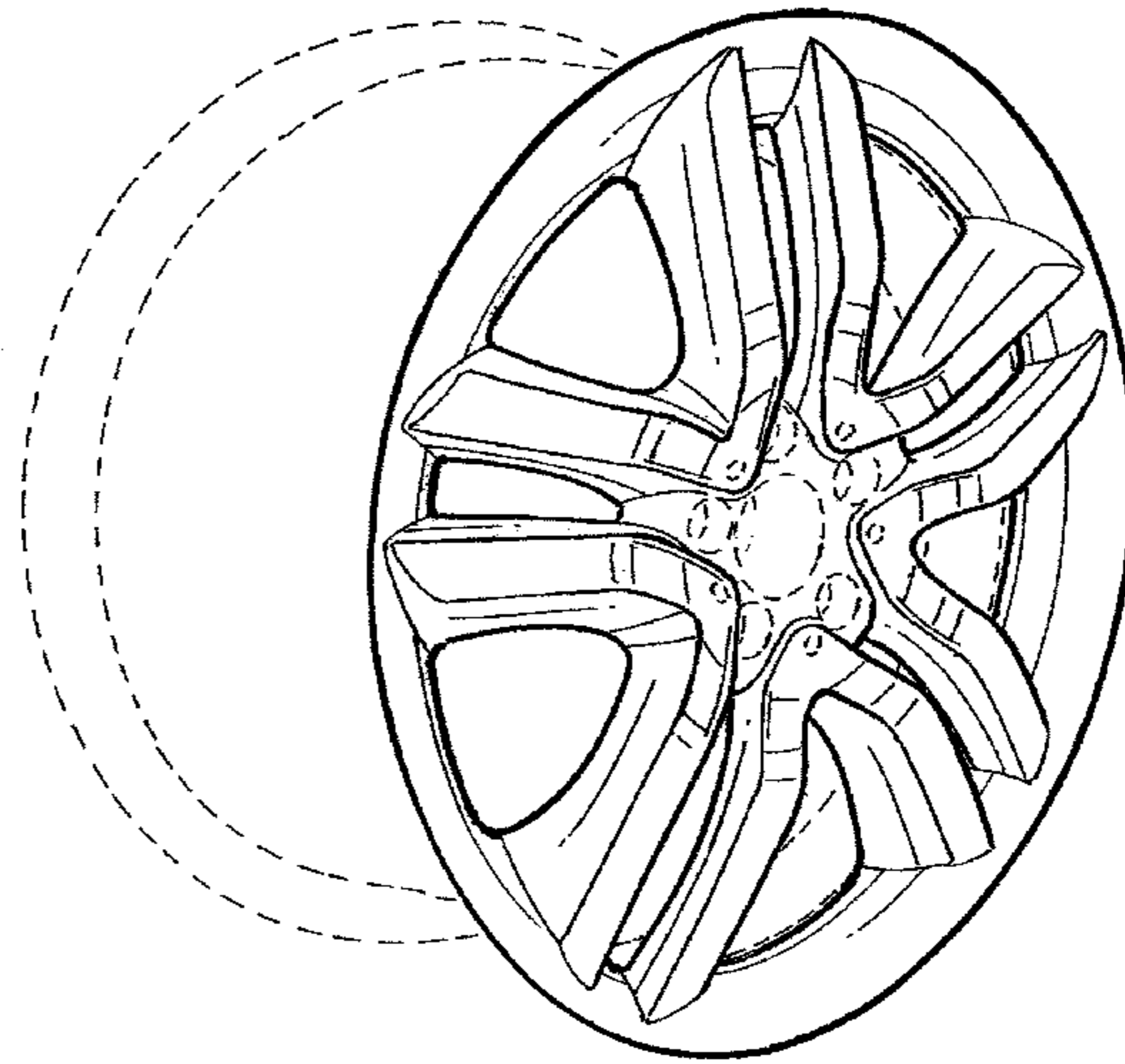
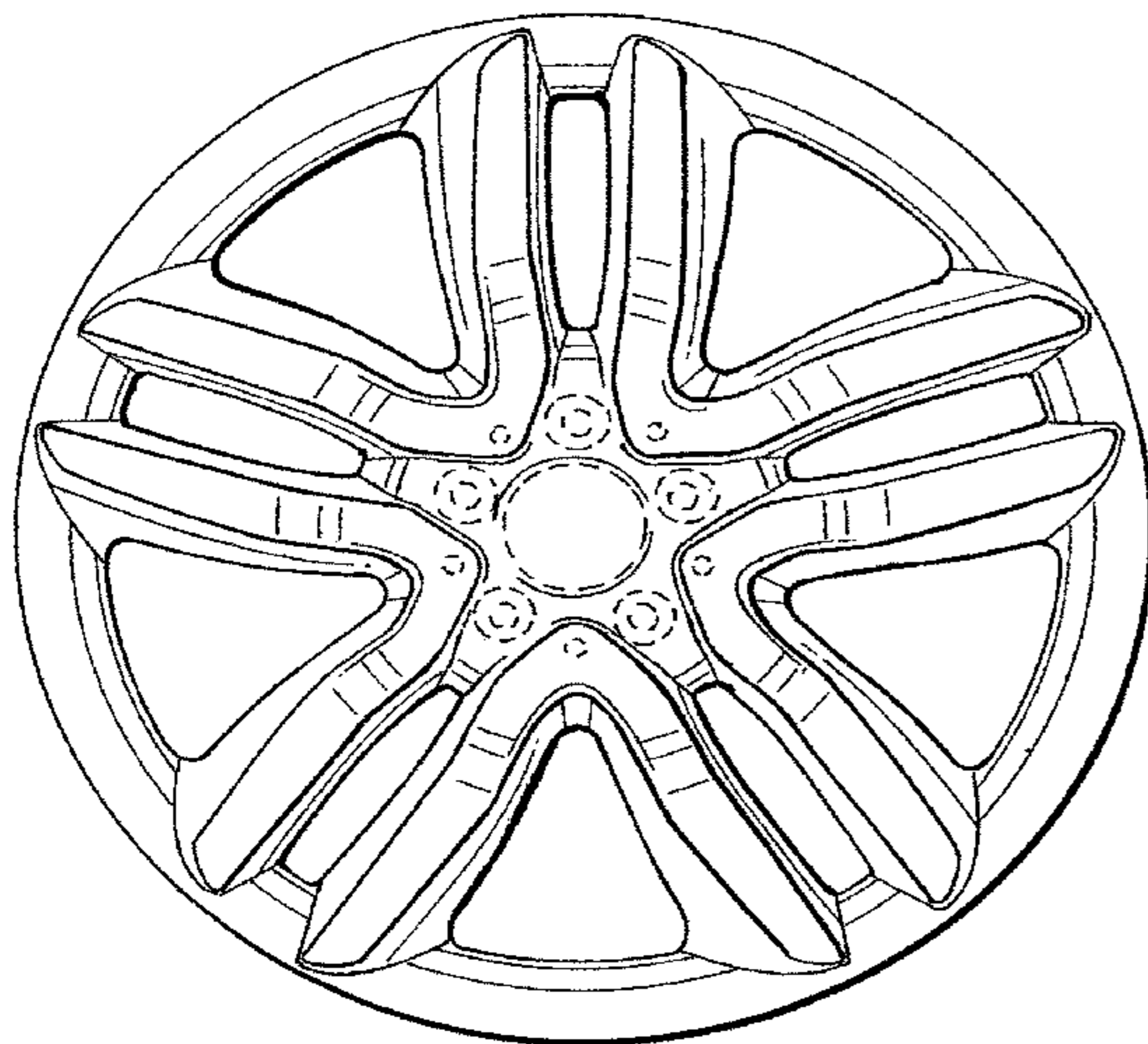
**DESCRIPTION**

FIG. 1 is a front view of a wheel or wheel cover according to our design; and,

FIG. 2 is a perspective view thereof.

The broken line showing of the rear of the wheel and the bolt holes and center cap in the central hub area is included for the purpose of illustrating environment and forms no part of the claimed design.

**1 Claim, 1 Drawing Sheet**



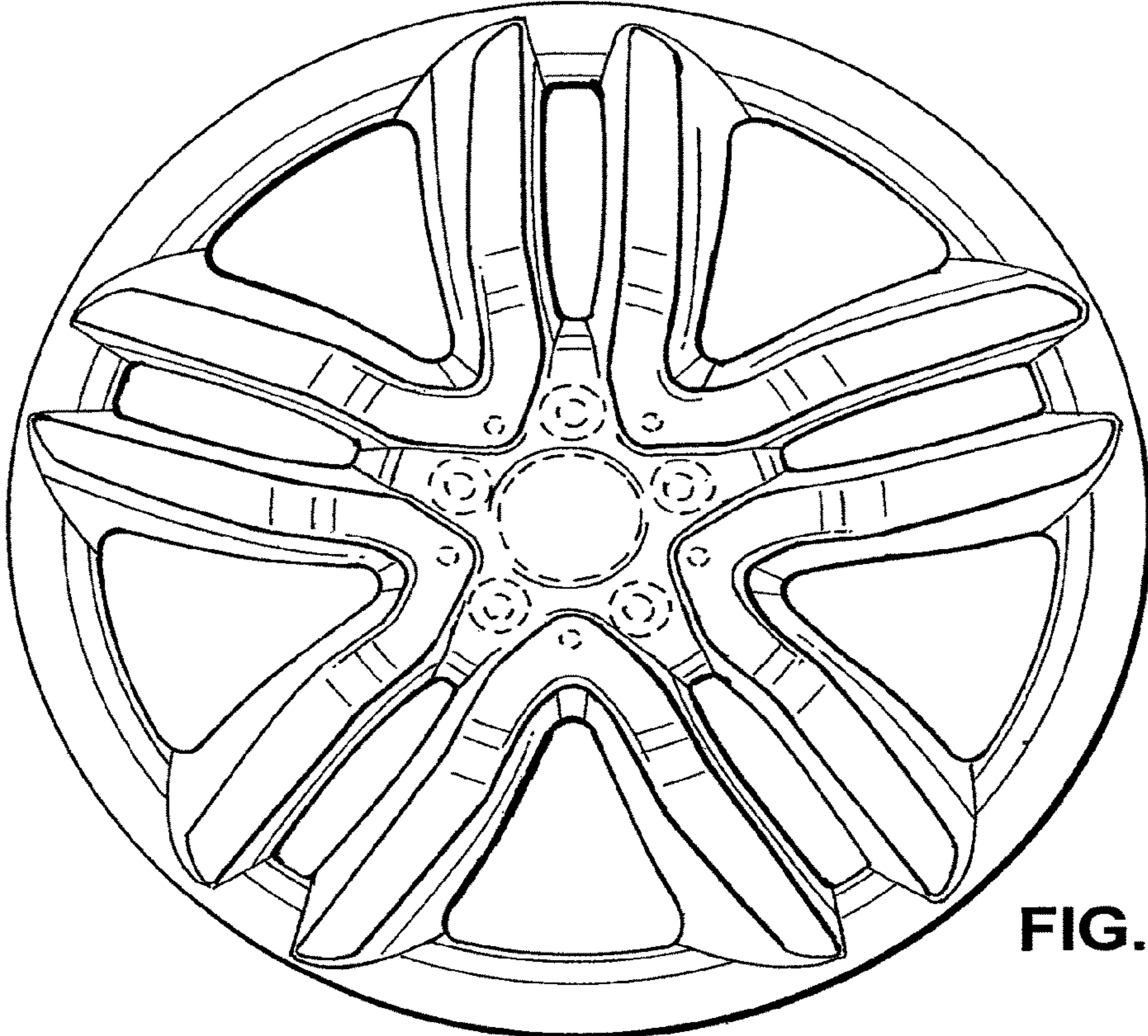


FIG. 1

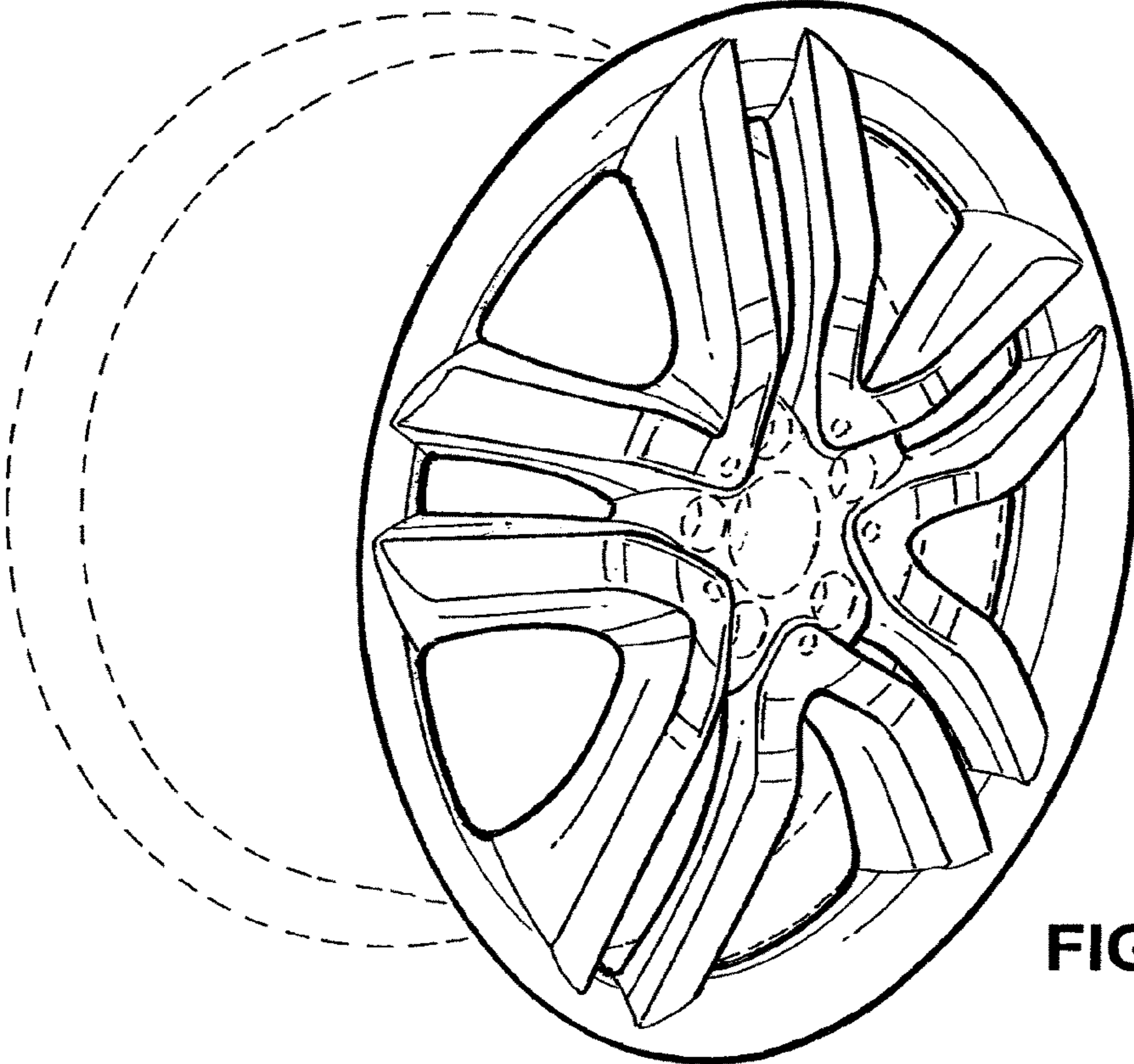


FIG. 2