



US00D666950S

(12) **United States Design Patent**
Haubrich et al.

(10) **Patent No.:** **US D666,950 S**

(45) **Date of Patent:** **** Sep. 11, 2012**

(54) **STEERING WHEEL**

(75) Inventors: **Thomas Haubrich**, Goedenroth (DE);
Thomas Klein, Wehr (DE)

(73) Assignee: **Bomag GmbH**, Boppard (DE)

(**) Term: **14 Years**

(21) Appl. No.: **29/387,269**

(22) Filed: **Mar. 10, 2011**

(51) **LOC (9) Cl.** **12-16**

(52) **U.S. Cl.** **D12/176**

(58) **Field of Classification Search** D12/175,
D12/176; 74/552, 558, 558.5

See application file for complete search history.

(56) **References Cited**

U.S. PATENT DOCUMENTS

1,679,164	A *	7/1928	McBride	74/557
D90,604	S *	8/1933	Webb	D12/176
1,984,293	A *	12/1934	Webb	D12/176
D95,879	S *	6/1935	Villas	D12/176

D104,894	S *	6/1937	Villas	D12/176
D224,100	S *	7/1972	Mora	D12/176
D428,588	S *	7/2000	Uken et al.	D12/176

* cited by examiner

Primary Examiner — Melody N Brown

(74) *Attorney, Agent, or Firm* — Baker & Hostetler LLP

(57) **CLAIM**

We claim the ornamental design for a steering wheel, as shown and described.

DESCRIPTION

FIG. 1 is a top perspective view of a steering wheel showing our new design;

FIG. 2 is a bottom perspective view thereof;

FIG. 3 is a top view thereof;

FIG. 4 is a bottom view thereof;

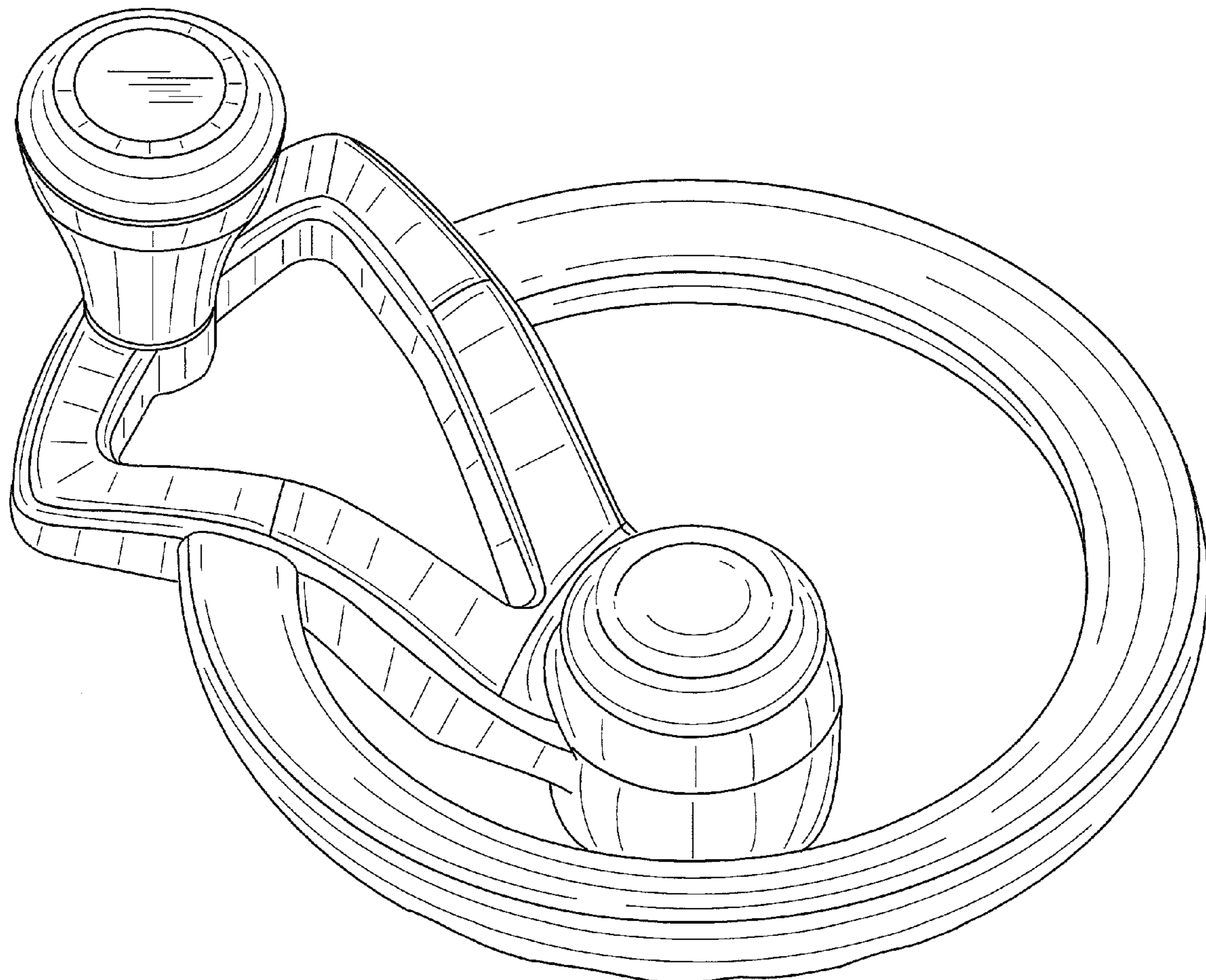
FIG. 5 is a right side view thereof;

FIG. 6 is a left side view thereof;

FIG. 7 is a front view thereof; and,

FIG. 8 is a rear view thereof.

1 Claim, 8 Drawing Sheets



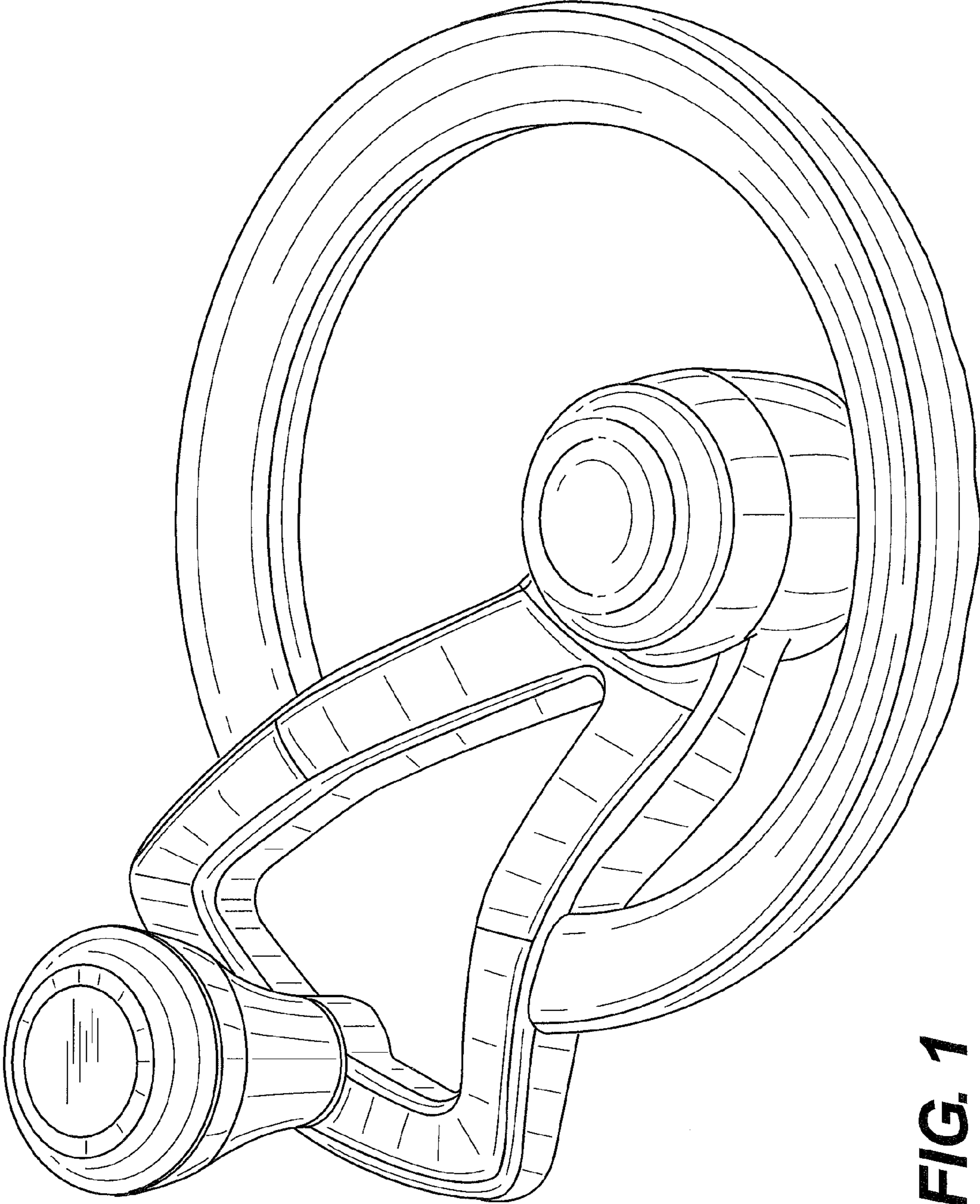


FIG. 1

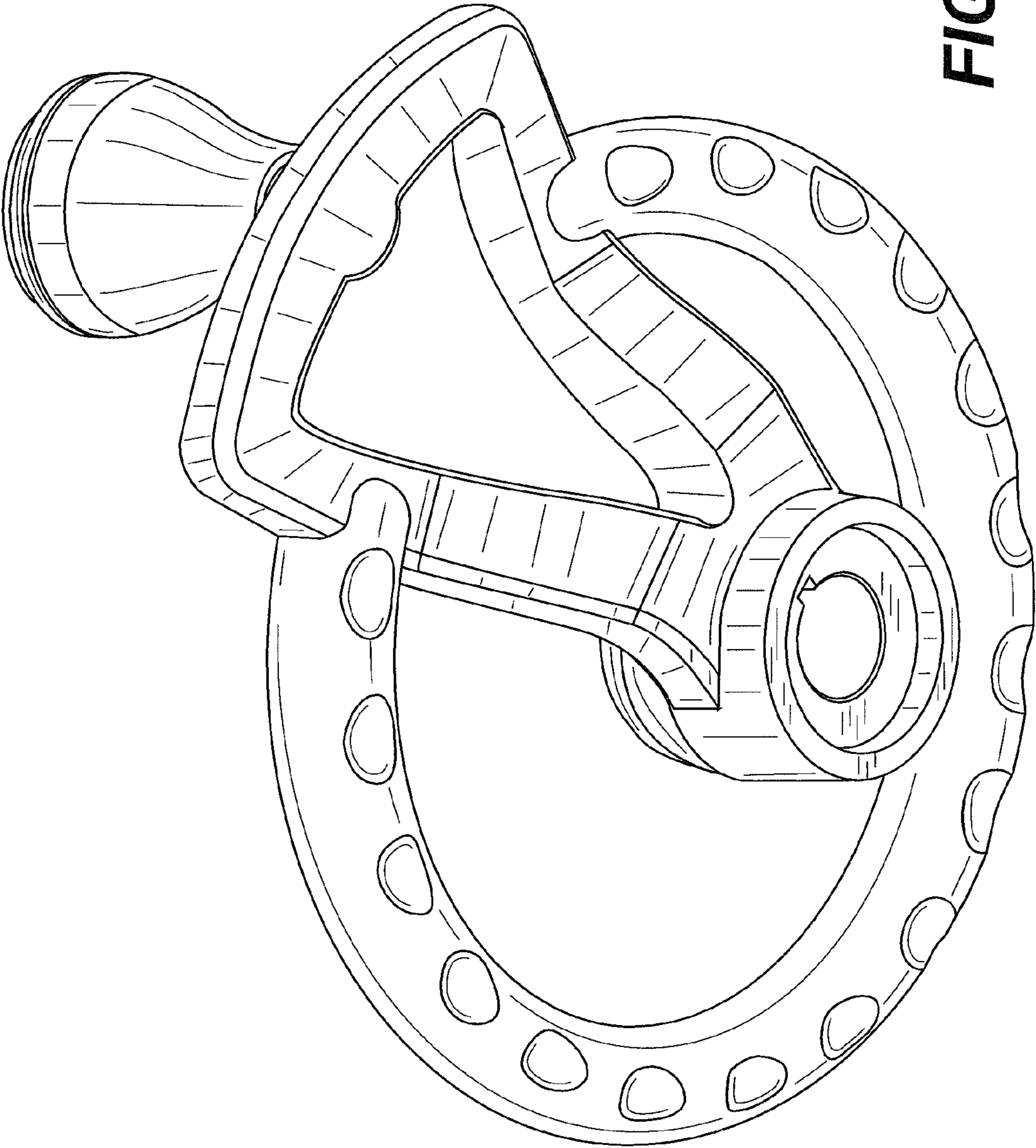


FIG. 2

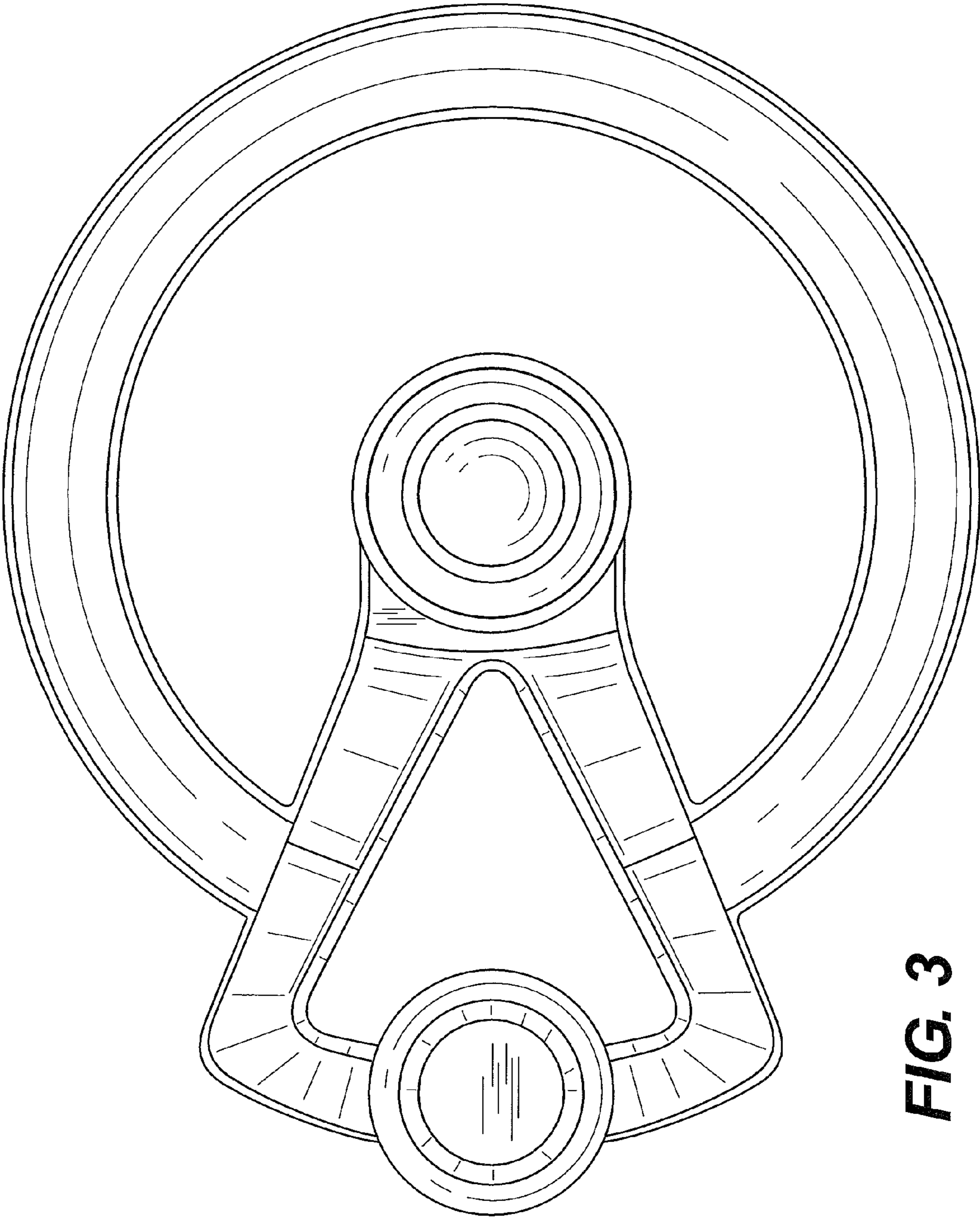


FIG. 3

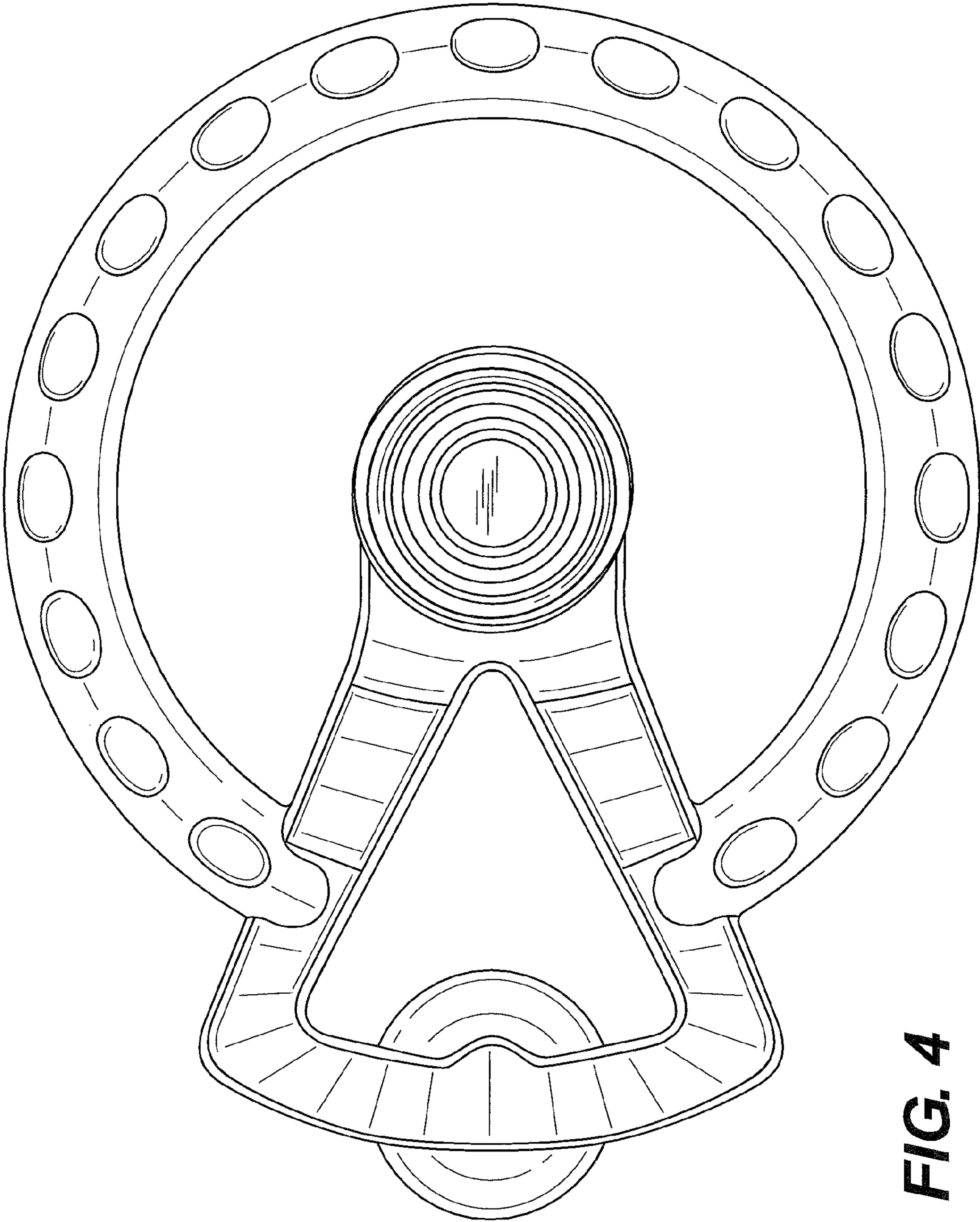


FIG. 4

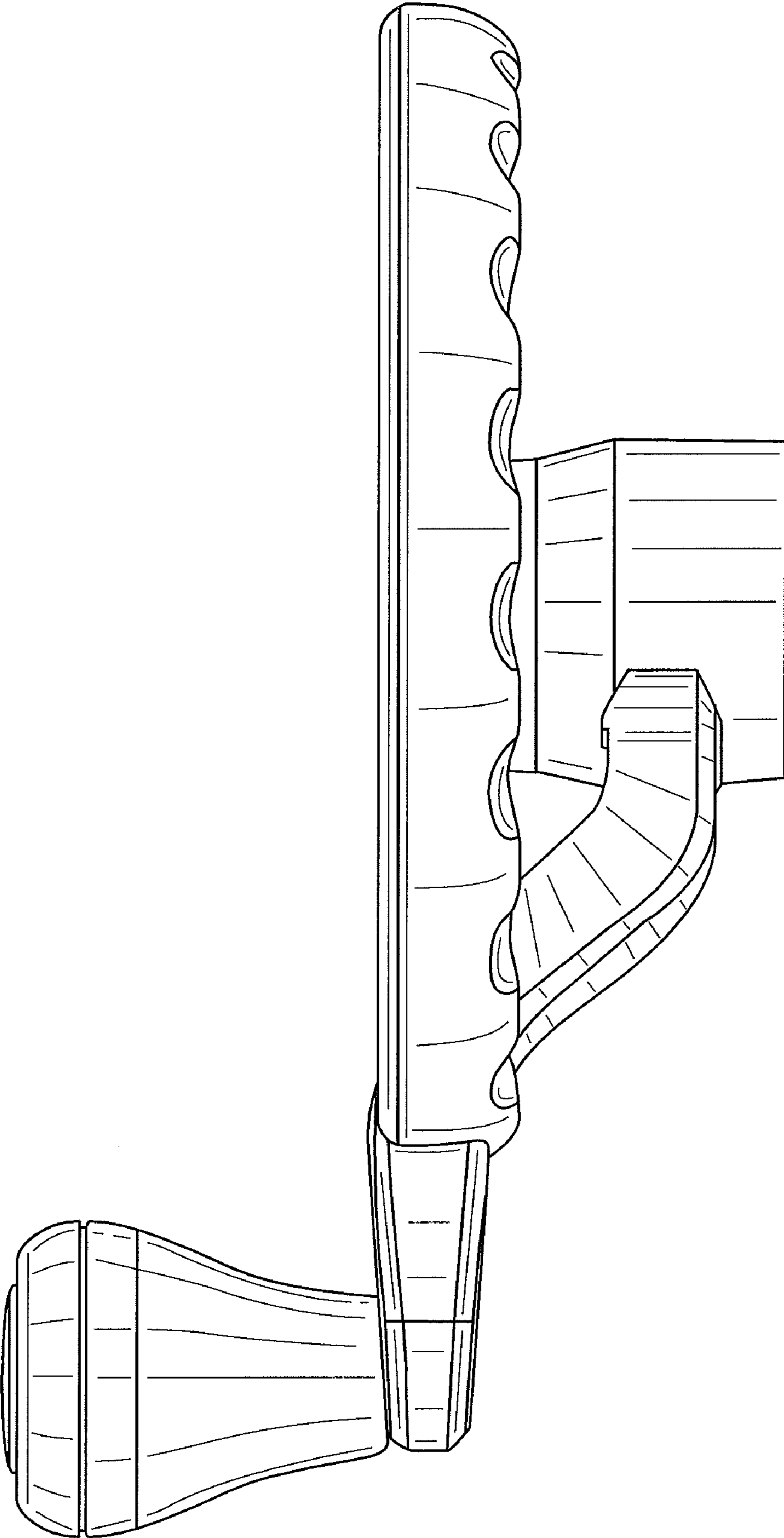


FIG. 5

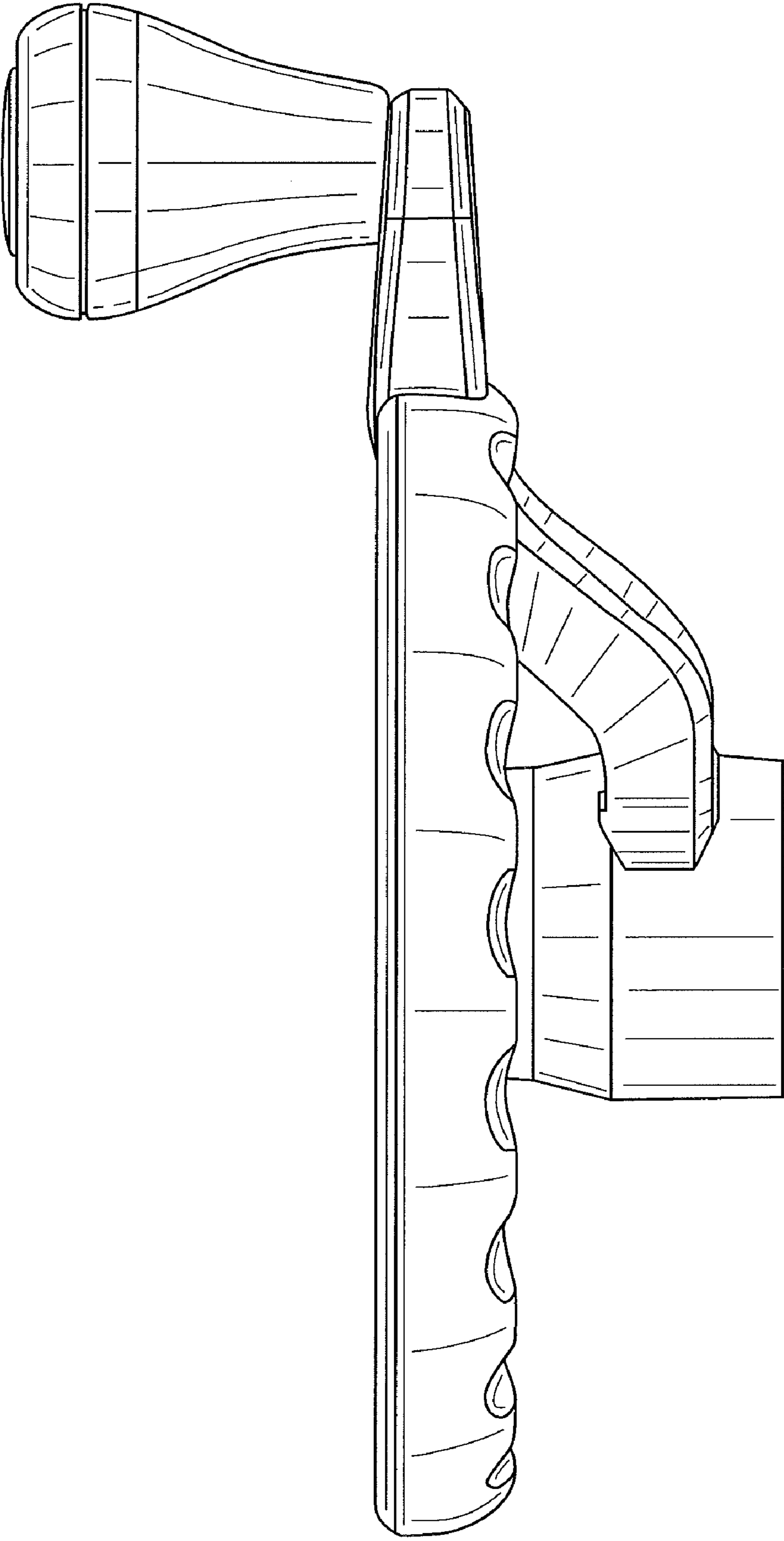


FIG. 6

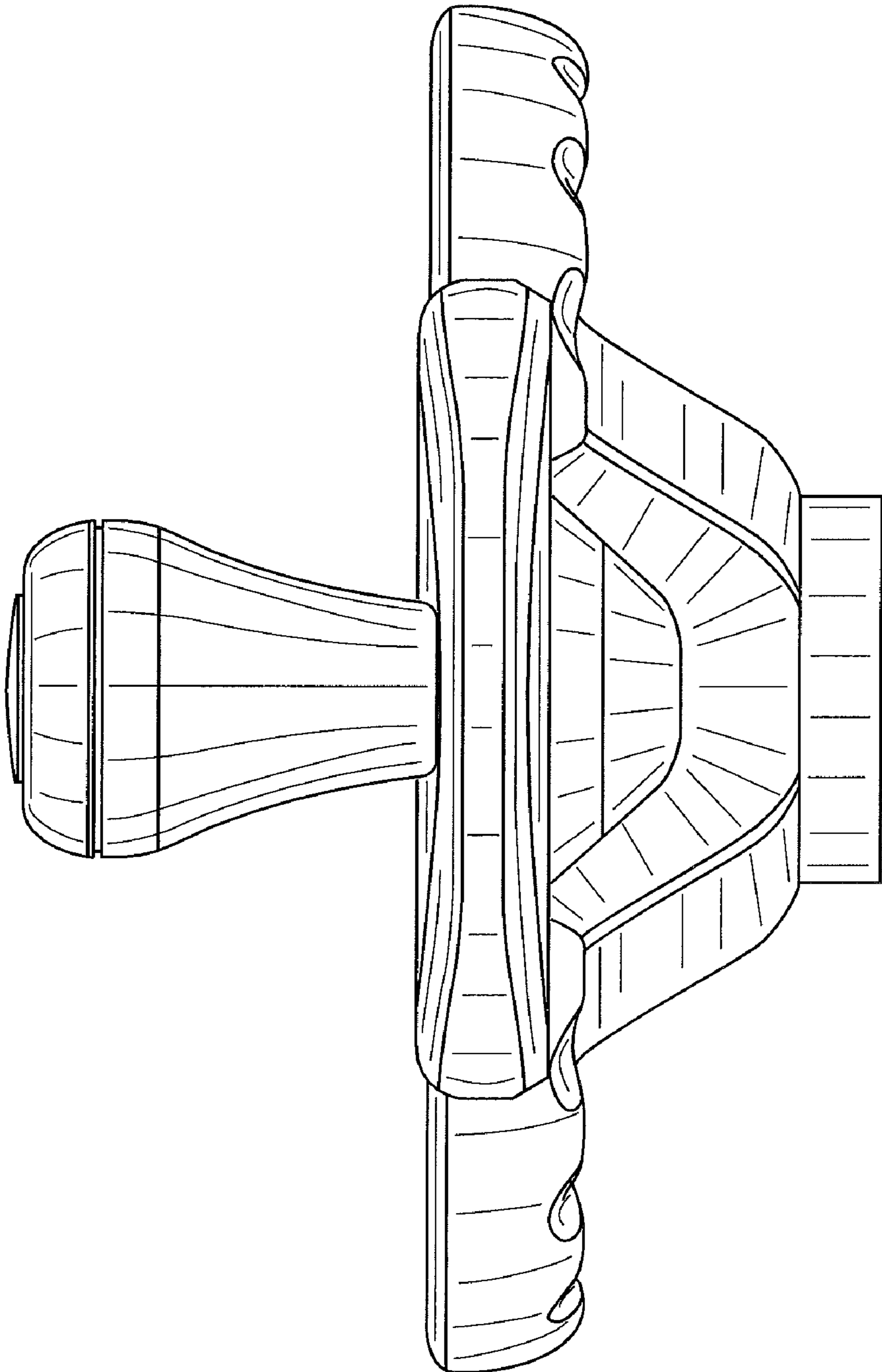


FIG. 7

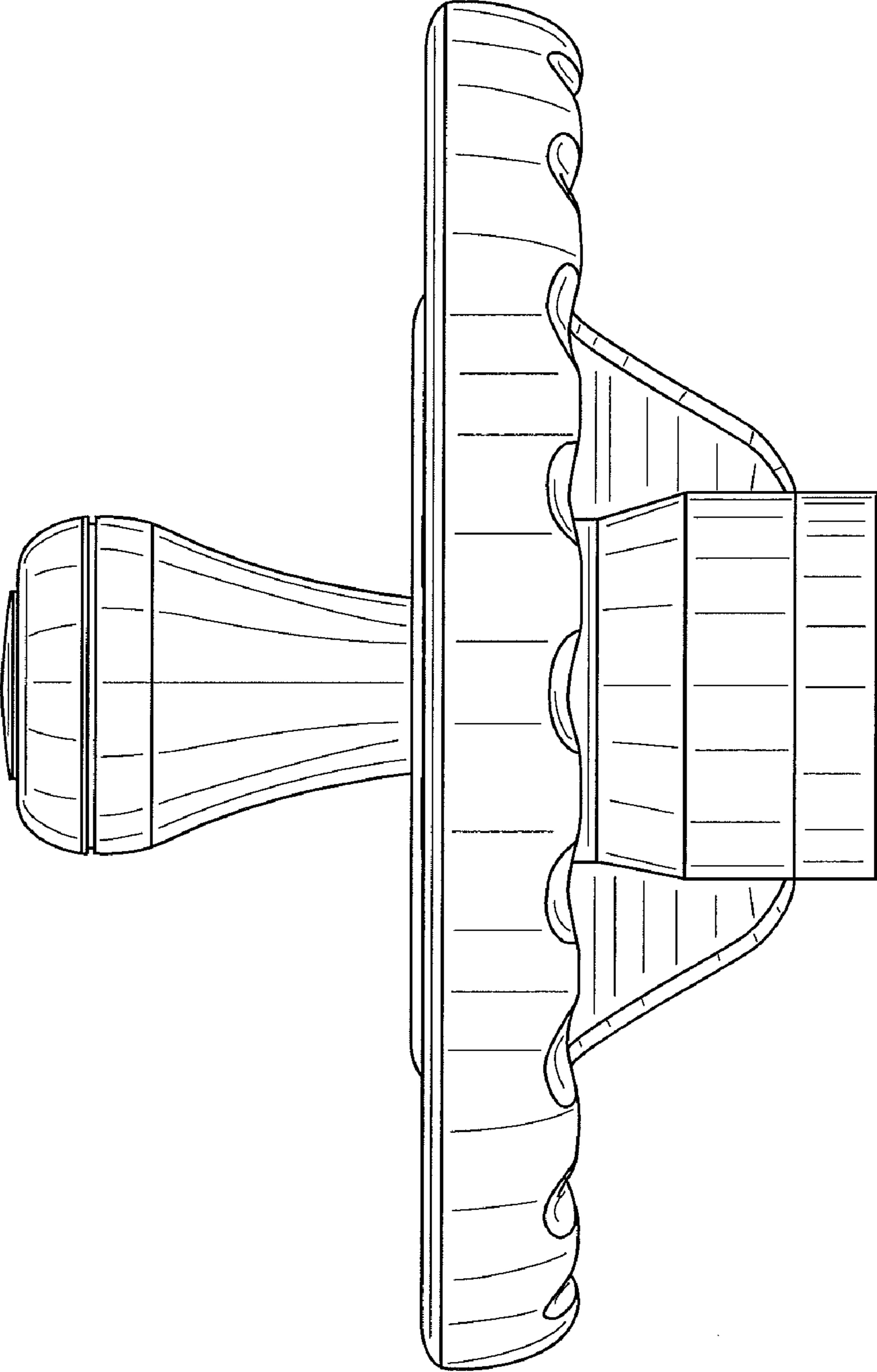


FIG. 8