



US00D666949S

(12) **United States Design Patent**
West et al.

(10) **Patent No.:** **US D666,949 S**

(45) **Date of Patent:** **** Sep. 11, 2012**

(54) **INDEPENDENT REAR SUSPENSION KIT**

7,819,411 B2 * 10/2010 Eshelman et al. 280/124.135
7,959,170 B2 * 6/2011 Mauz 280/124.135
2010/0276901 A1 * 11/2010 Richardson et al. 280/93.512

(75) Inventors: **Vaughn E. D. West**, McHenry, IL (US);
Tom Brown, Ceresco, NE (US)

OTHER PUBLICATIONS

(73) Assignee: **Heidts Acquisition, LLC**, Wauconda, IL (US)

Heidts Hot Rod & Muscle Car Parts Catalog V23, pp. 1, 32 and 62 (Copyright 2009).

(**) Term: **14 Years**

* cited by examiner

(21) Appl. No.: **29/390,740**

Primary Examiner — Michael A Pratt

(22) Filed: **Apr. 28, 2011**

(74) *Attorney, Agent, or Firm* — Michael Best & Friedrich LLP

(51) **LOC (9) Cl.** **12-16**

(52) **U.S. Cl.** **D12/160**

(58) **Field of Classification Search** D12/159,
D12/160; 280/124.109, 124.134, 124.135,
280/124.145, 124.154, 781, 788, 796, 124.155

(57) **CLAIM**

We claim the ornamental design for an independent rear suspension kit, as shown and described.

See application file for complete search history.

DESCRIPTION

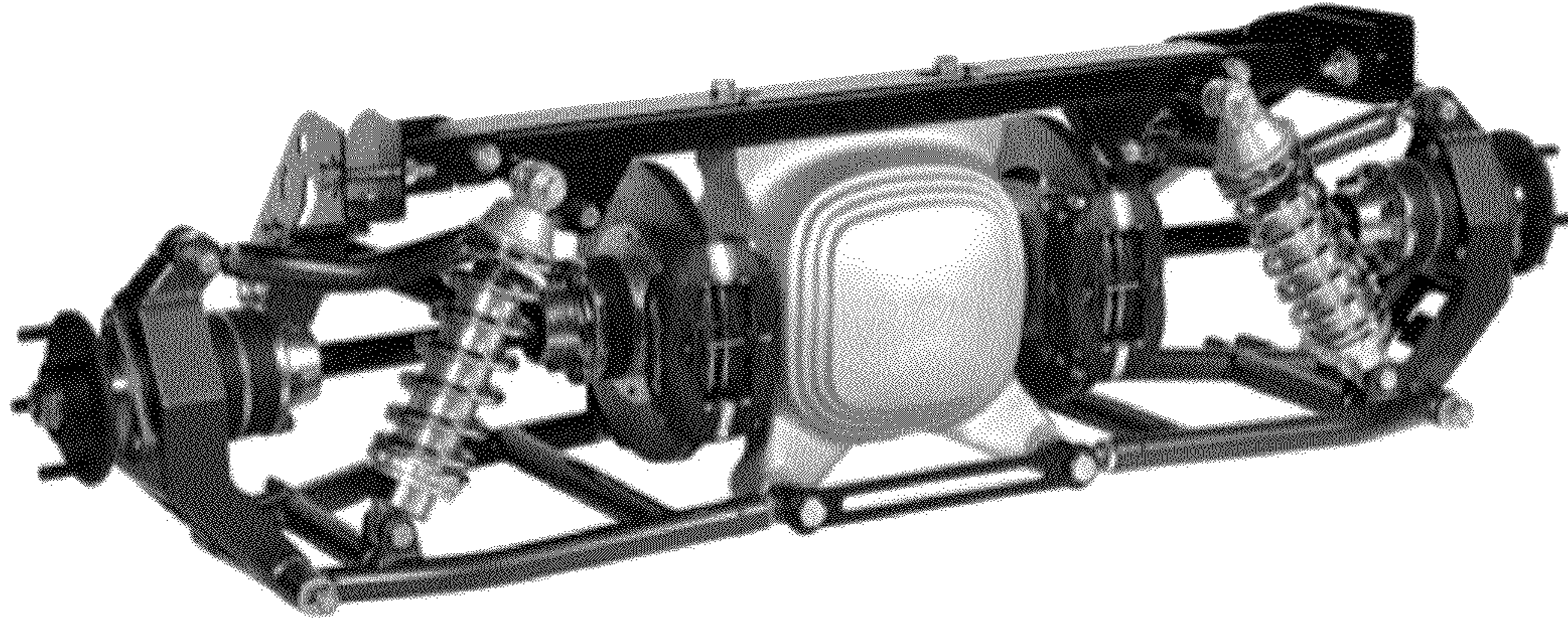
(56) **References Cited**

FIG. 1 is a rear perspective view of an independent rear suspension kit of the present invention; and, FIG. 2 is a front perspective view of the independent rear suspension kit of FIG. 1.

U.S. PATENT DOCUMENTS

5,833,026 A * 11/1998 Zetterstrom et al. 180/360
6,752,403 B2 * 6/2004 Allen et al. 280/6.157

1 Claim, 1 Drawing Sheet



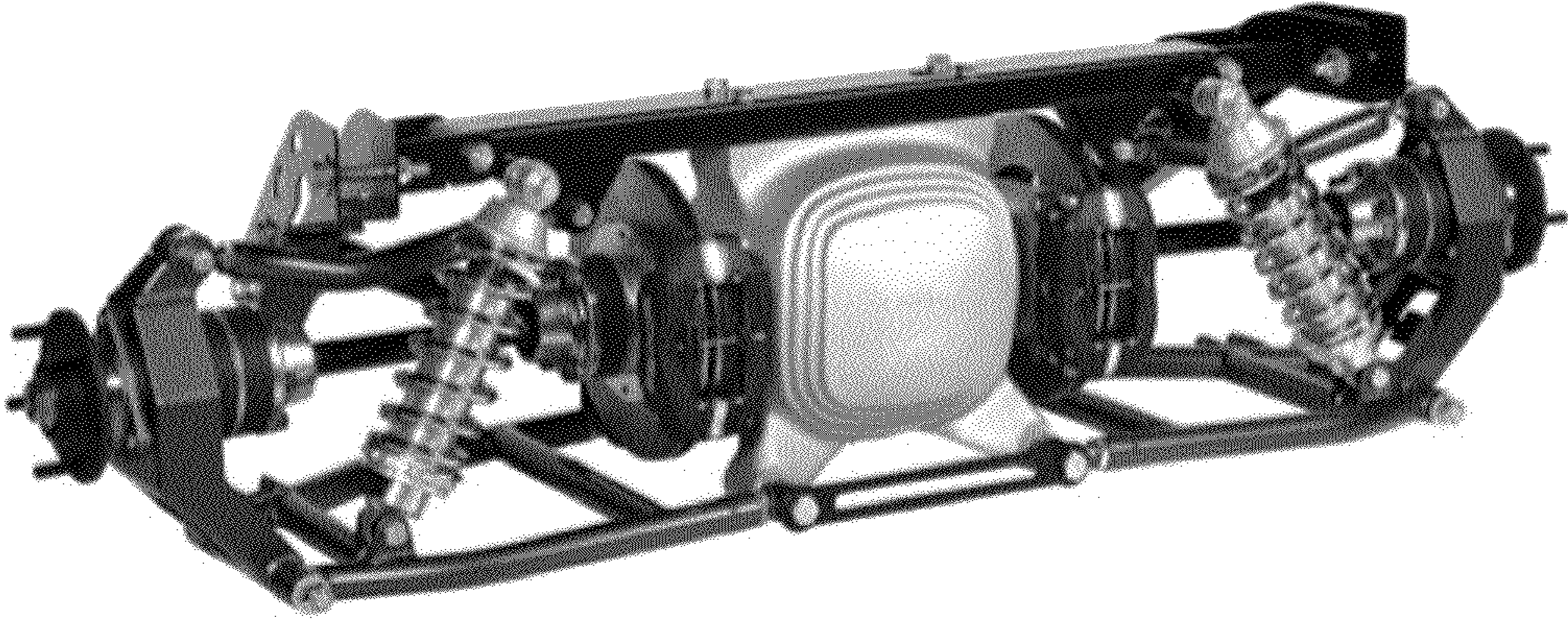


FIG. 1

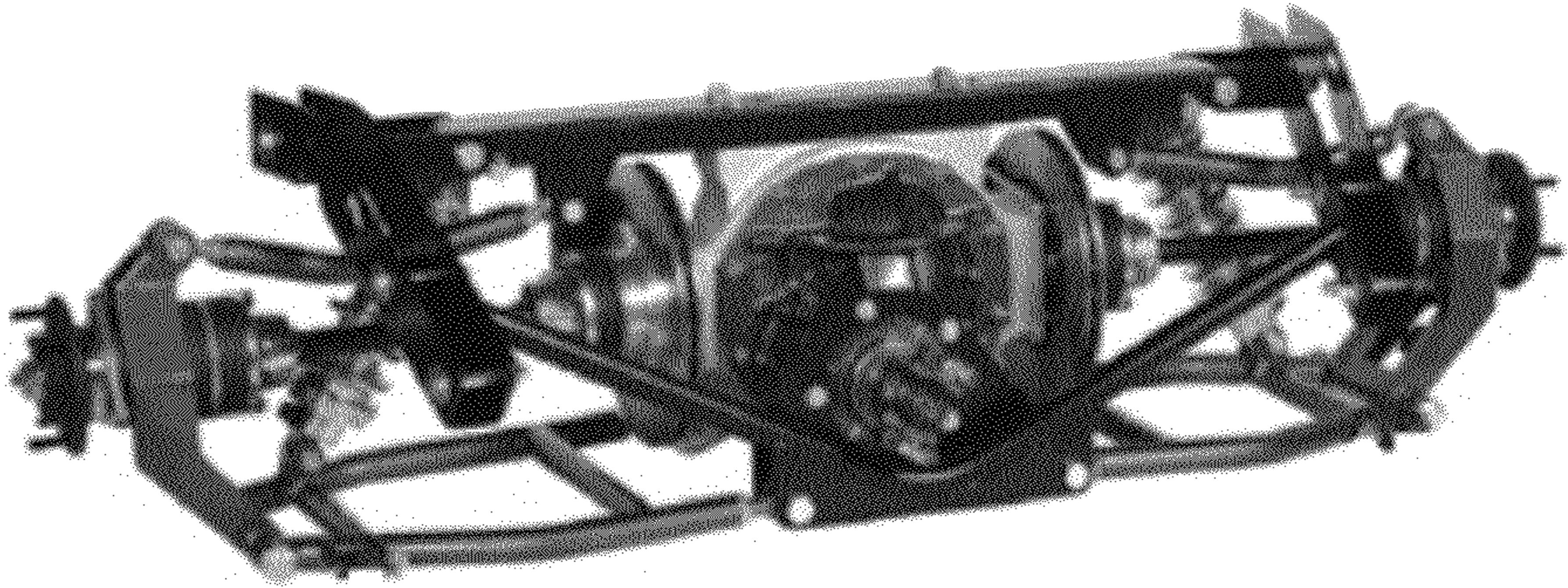


FIG. 2