



US00D666948S

(12) **United States Design Patent**
Yeh

(10) **Patent No.:** **US D666,948 S**
(45) **Date of Patent:** **** Sep. 11, 2012**

(54) **TANDEM STROLLER FRAME**

6,964,429 B2 * 11/2005 Suga et al. 280/642
D593,459 S * 6/2009 Liao D12/129

(75) Inventor: **Chuan-Ming Yeh**, Chuayi (TW)

* cited by examiner

(73) Assignee: **Lerado (Zhong Shan) Industrial Co., Ltd.**, Zhong Shan, Guang Dong Province (CN)

Primary Examiner — Ian Simmons

Assistant Examiner — Charles Hanson

(74) *Attorney, Agent, or Firm* — Morris Manning & Martin, LLP; Tim Tingkang Xia, Esq.

(**) Term: **14 Years**

(57) **CLAIM**

(21) Appl. No.: **29/380,153**

The ornamental design for a tandem stroller frame, as shown and described.

(22) Filed: **Dec. 1, 2010**

DESCRIPTION

(30) **Foreign Application Priority Data**

Jun. 2, 2010 (CN) 2010 3 0209721

(51) **LOC (9) Cl.** **12-12**

(52) **U.S. Cl.** **D12/129**

(58) **Field of Classification Search** D12/128–133;
280/62, 647–650, 29, 200, 47.38, 250.1,
280/259, 642, 658; 296/65.03, 65.04; 224/409;
297/DIG. 4

See application file for complete search history.

FIG. 1 is a front elevational view of a tandem stroller frame showing my new design;

FIG. 2 is a rear elevational view thereof;

FIG. 3 is a left side view thereof;

FIG. 4 is a right side view thereof;

FIG. 5 is a top plan view thereof;

FIG. 6 is a bottom plan view thereof;

FIG. 7 is a front, right perspective view thereof;

FIG. 8 is perspective view for reference, showing that two chair frames are mountable on top of the tandem stroller frame of my new design; and,

FIG. 9 is perspective view for reference, showing that the chair frames and the tandem stroller frame are foldable into a stowed position.

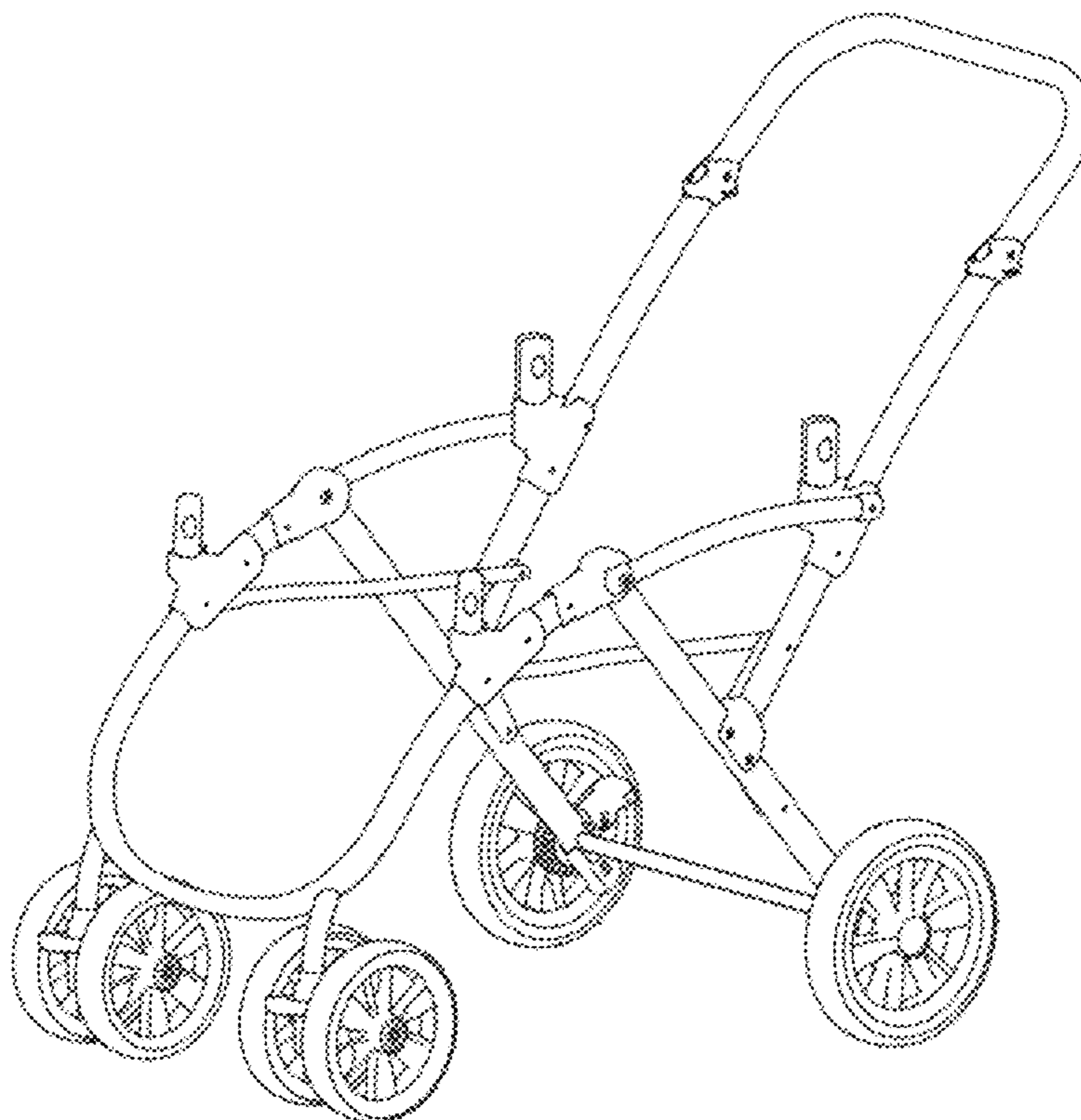
The broken lines illustrate the environment elements of the tandem stroller frame and form no part of the claimed design.

(56) **References Cited**

U.S. PATENT DOCUMENTS

4,697,823 A * 10/1987 Kassai 280/644
D450,633 S * 11/2001 Yang et al. D12/129
D463,329 S * 9/2002 Yang et al. D12/129
D465,754 S * 11/2002 Huang D12/129

1 Claim, 8 Drawing Sheets



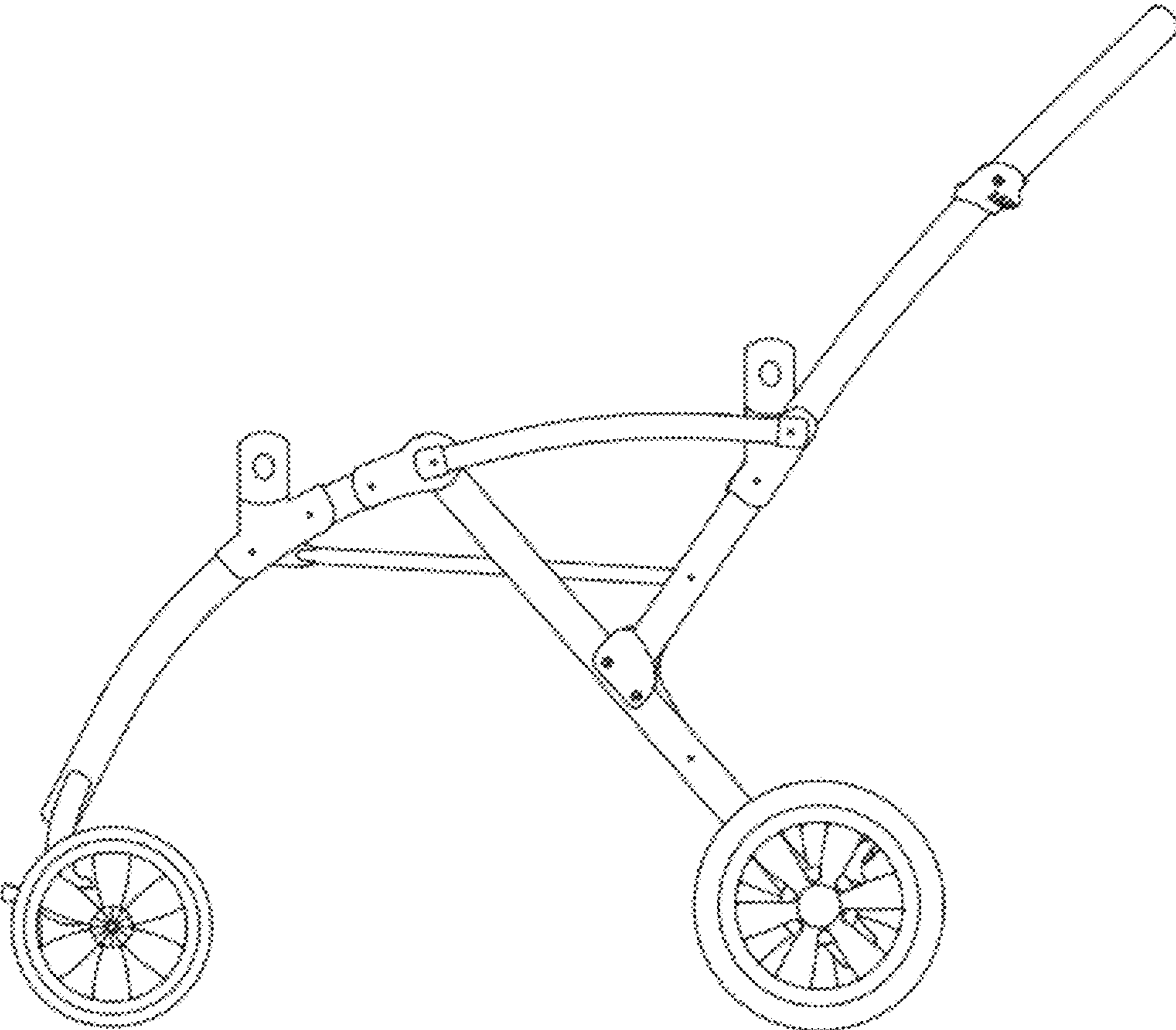


FIG. 1

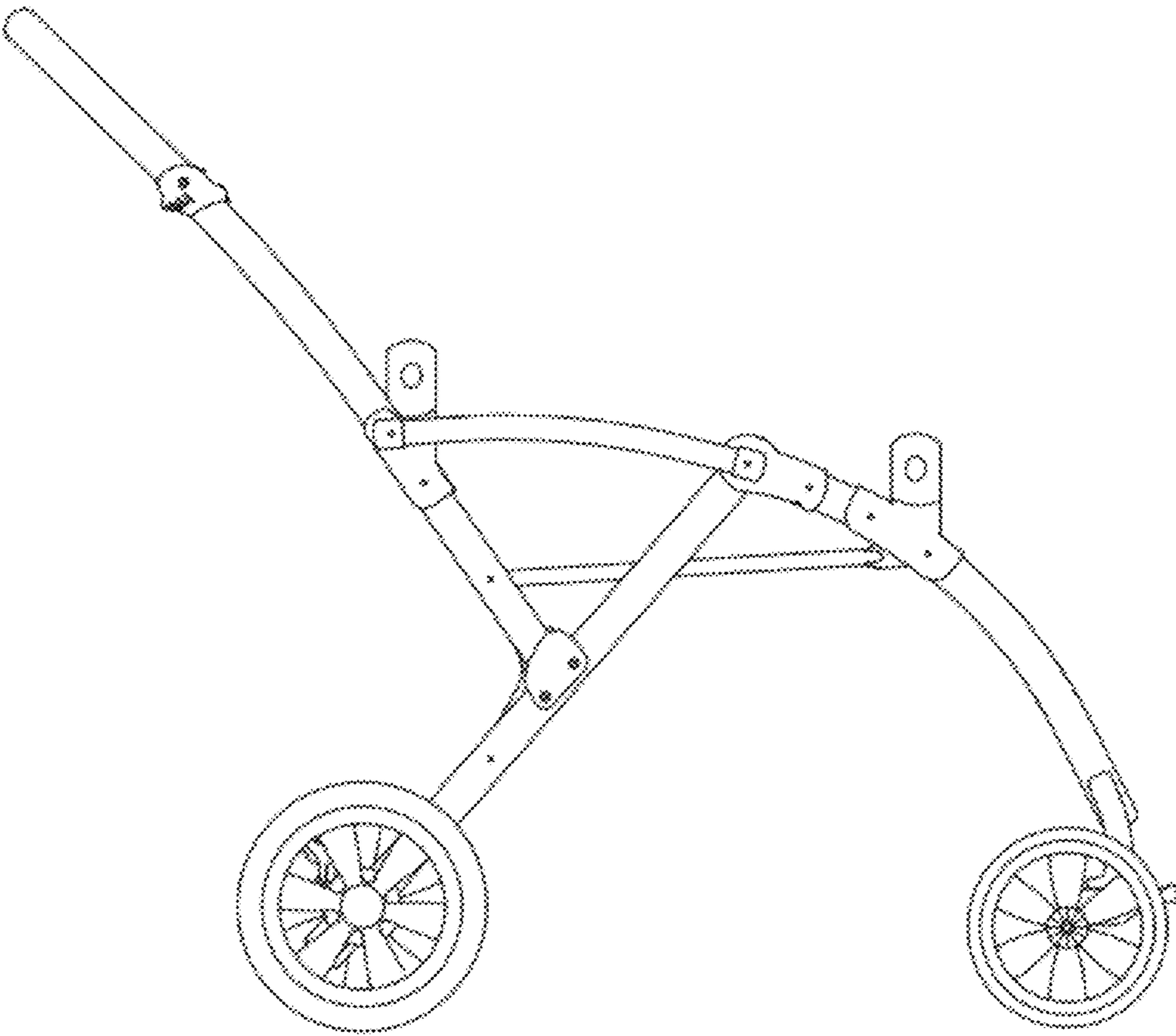


FIG. 2

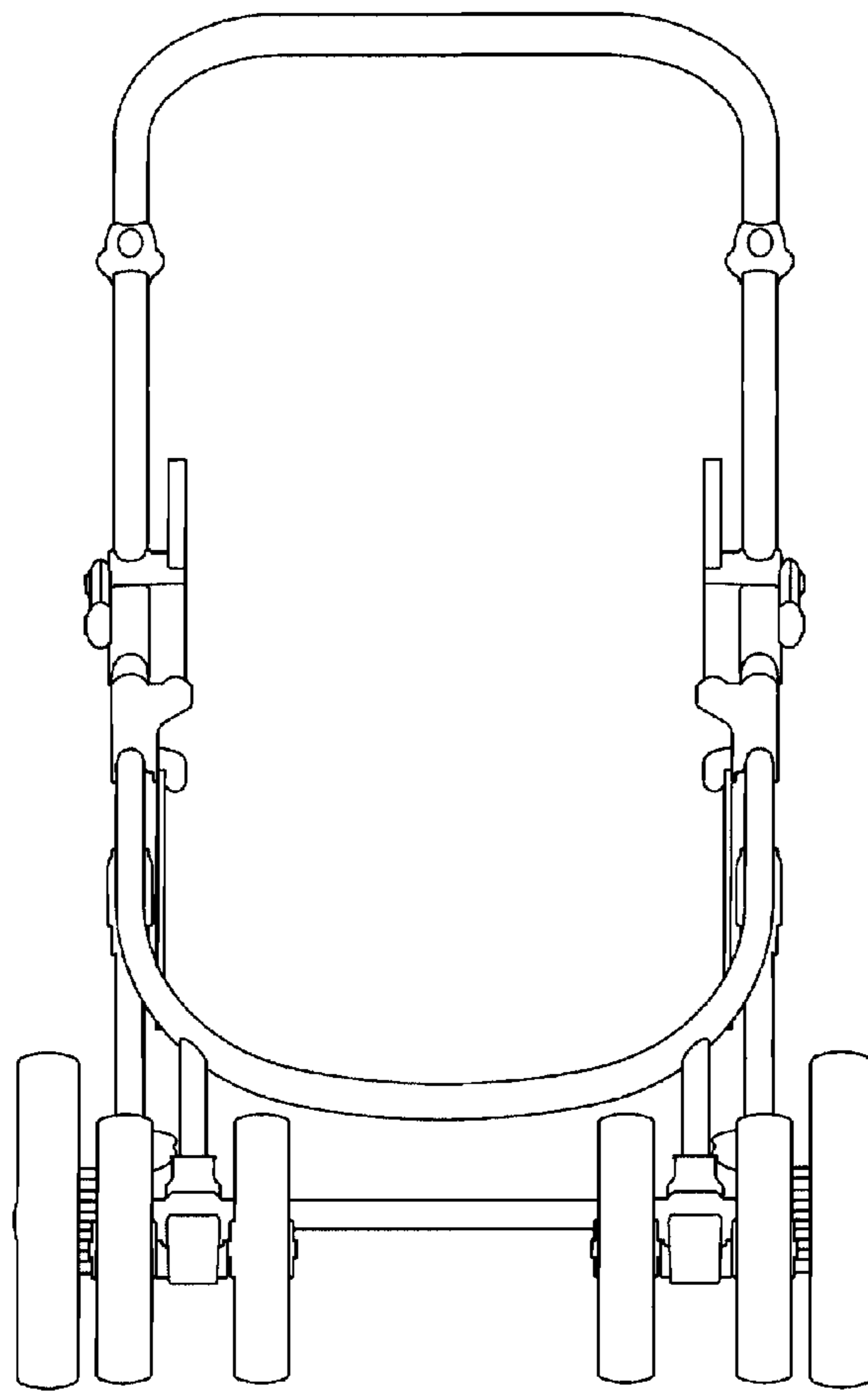


FIG. 3

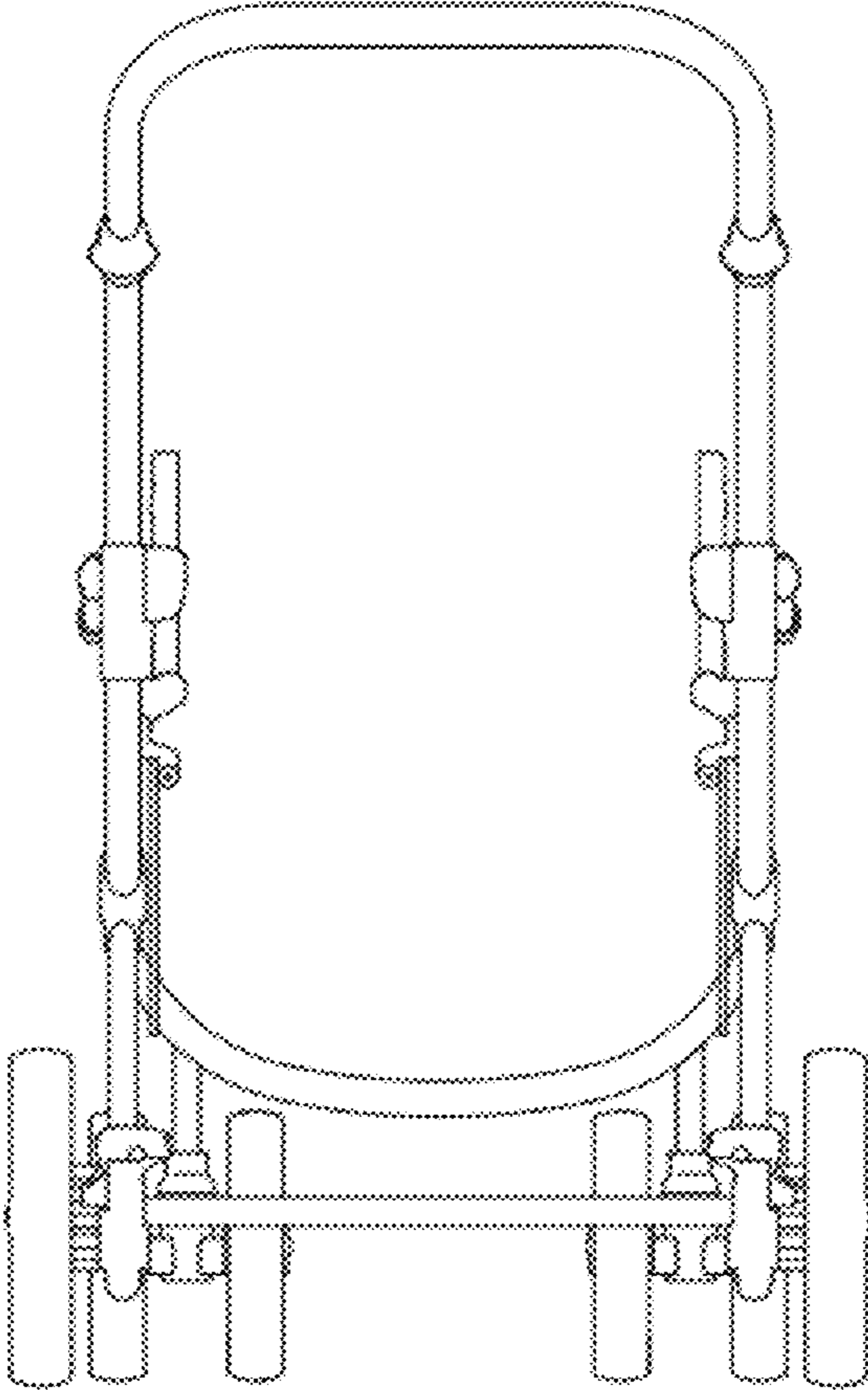


FIG. 4

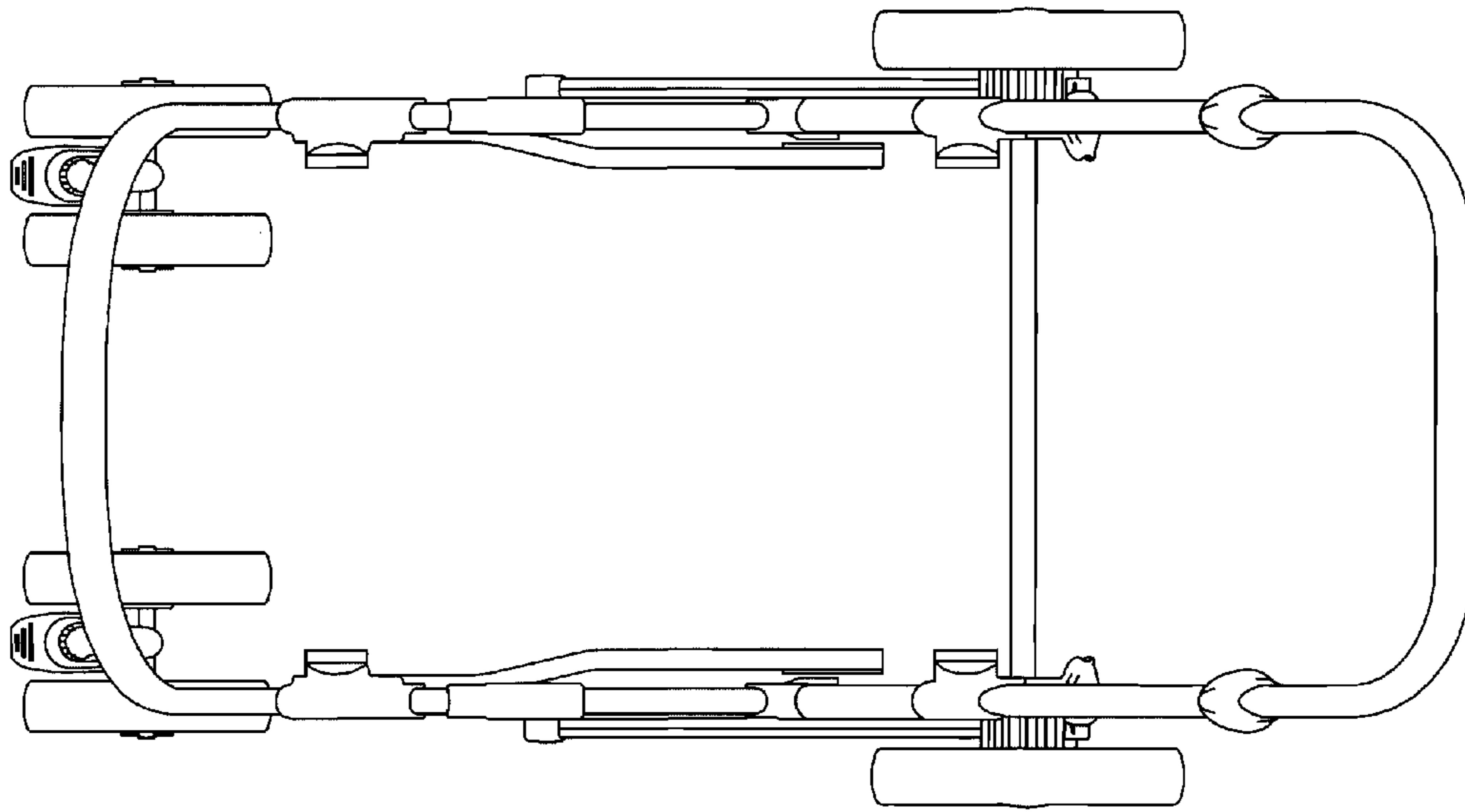


FIG. 5

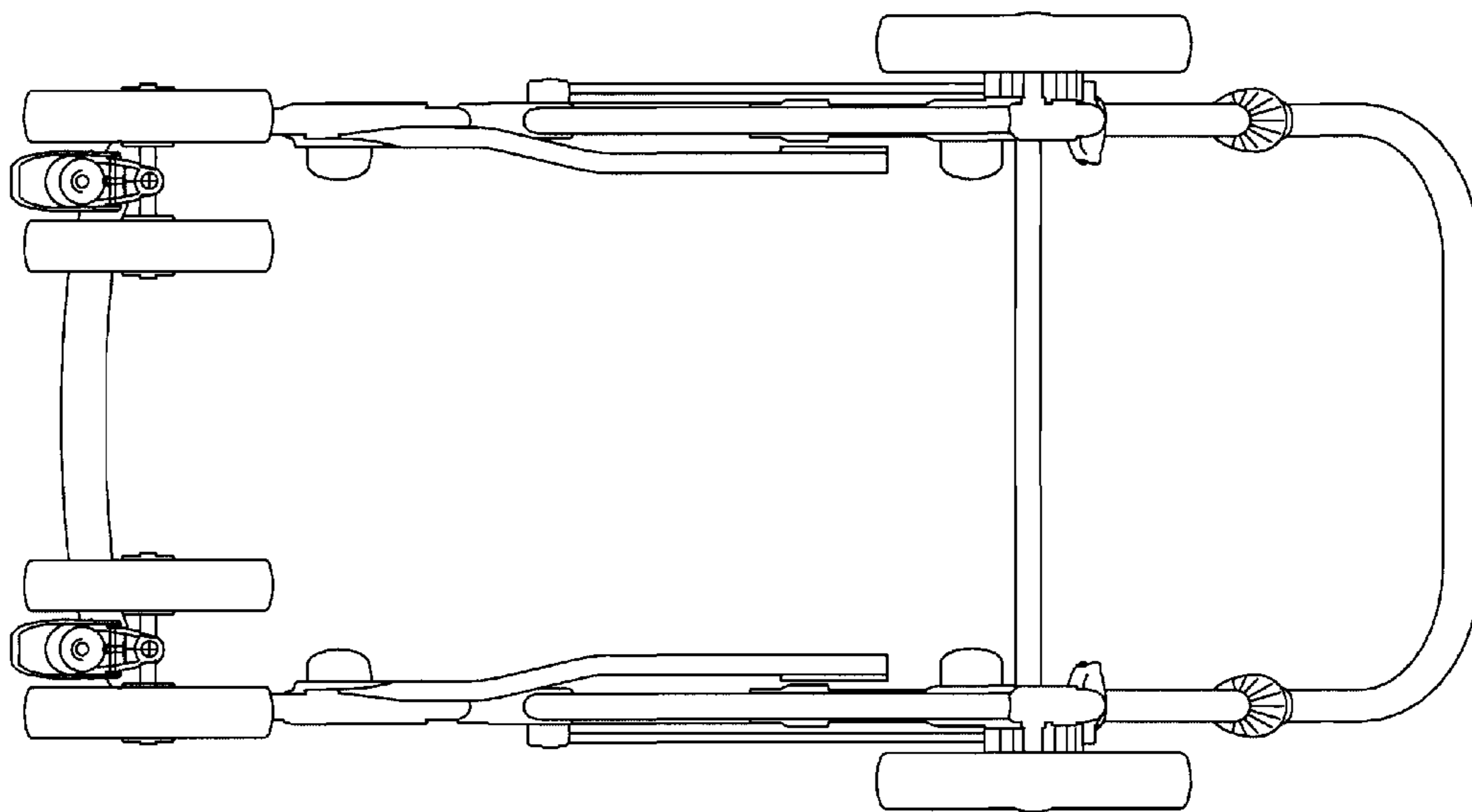


FIG. 6

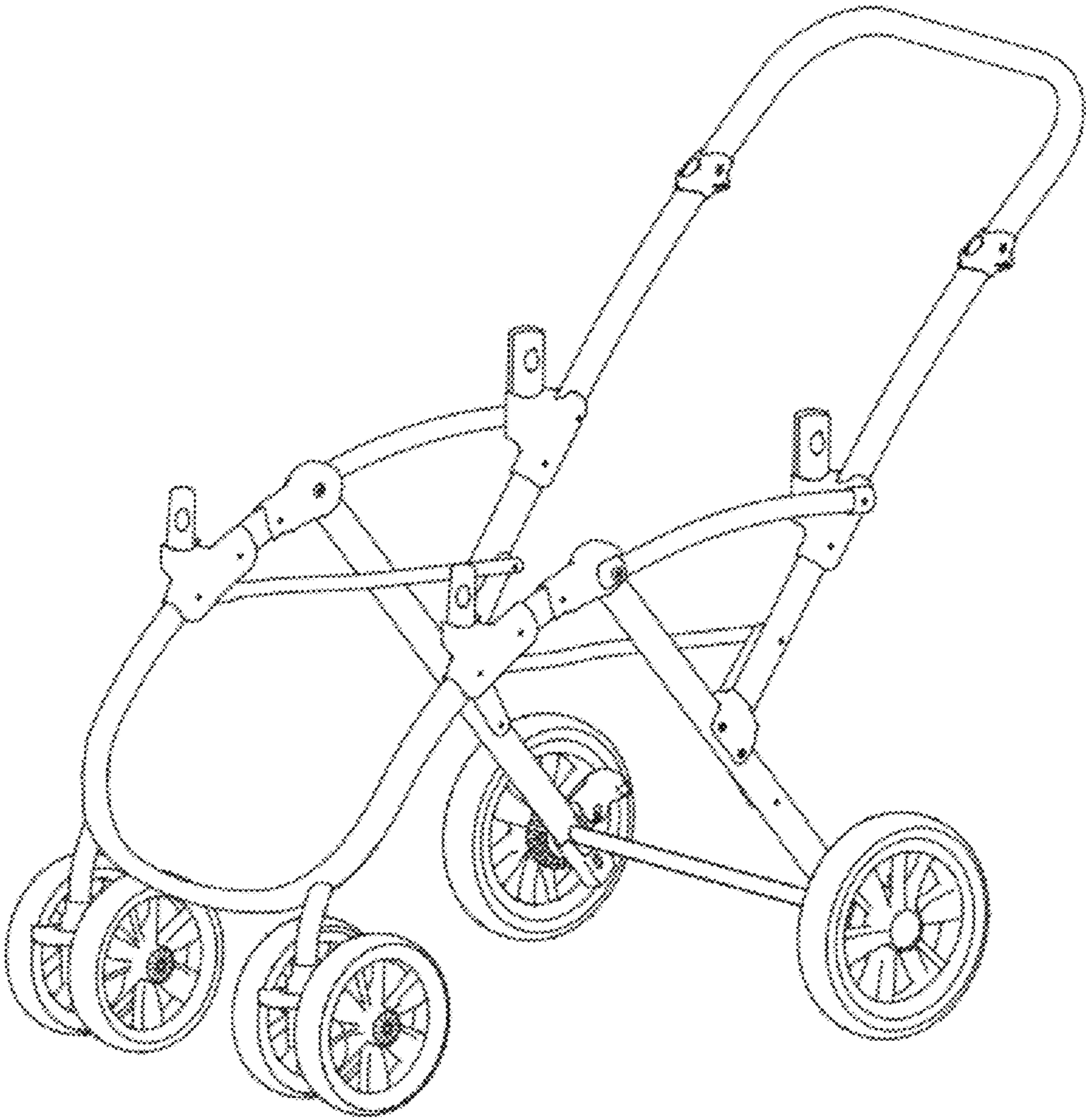


FIG. 7

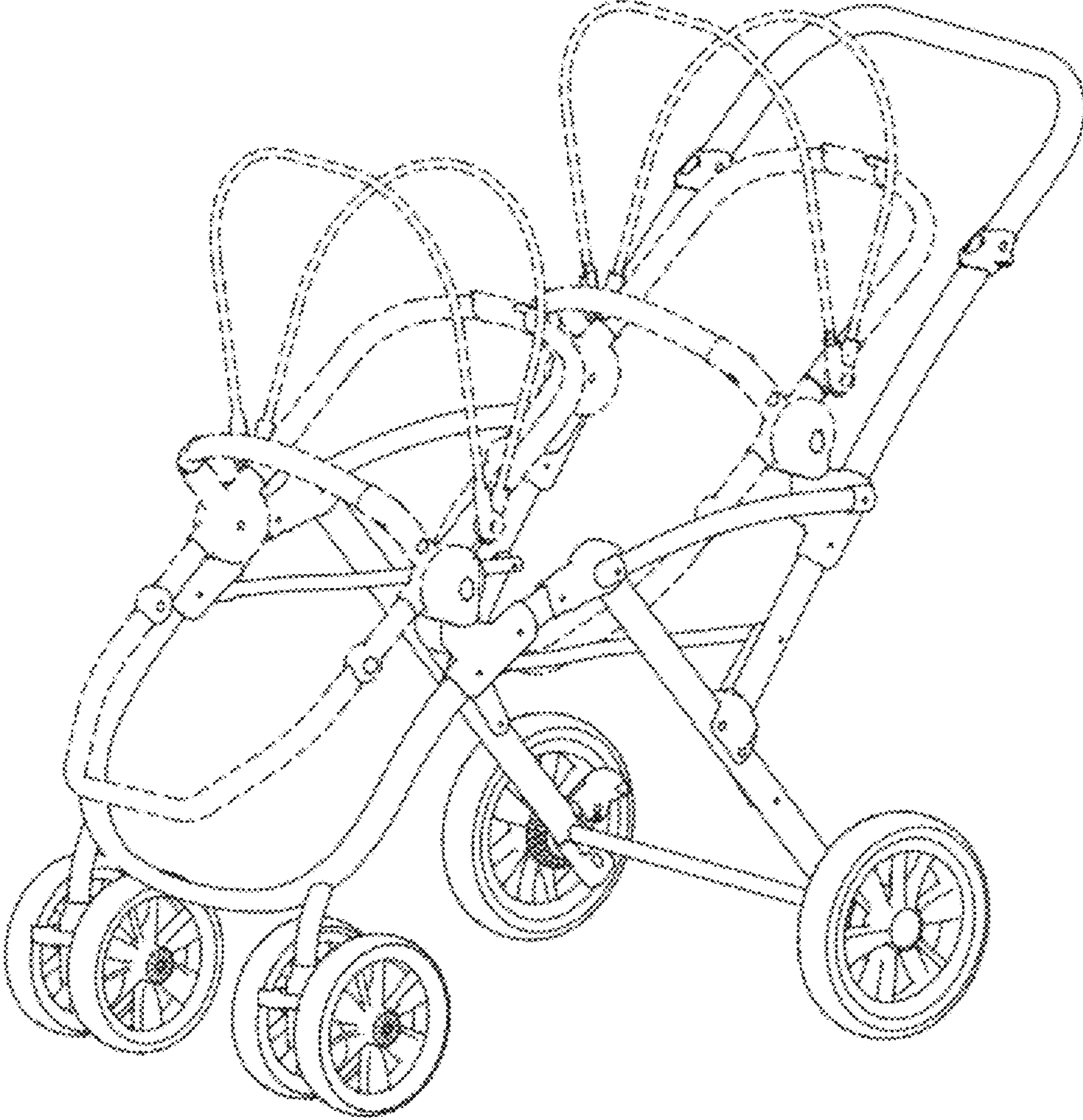


FIG. 8

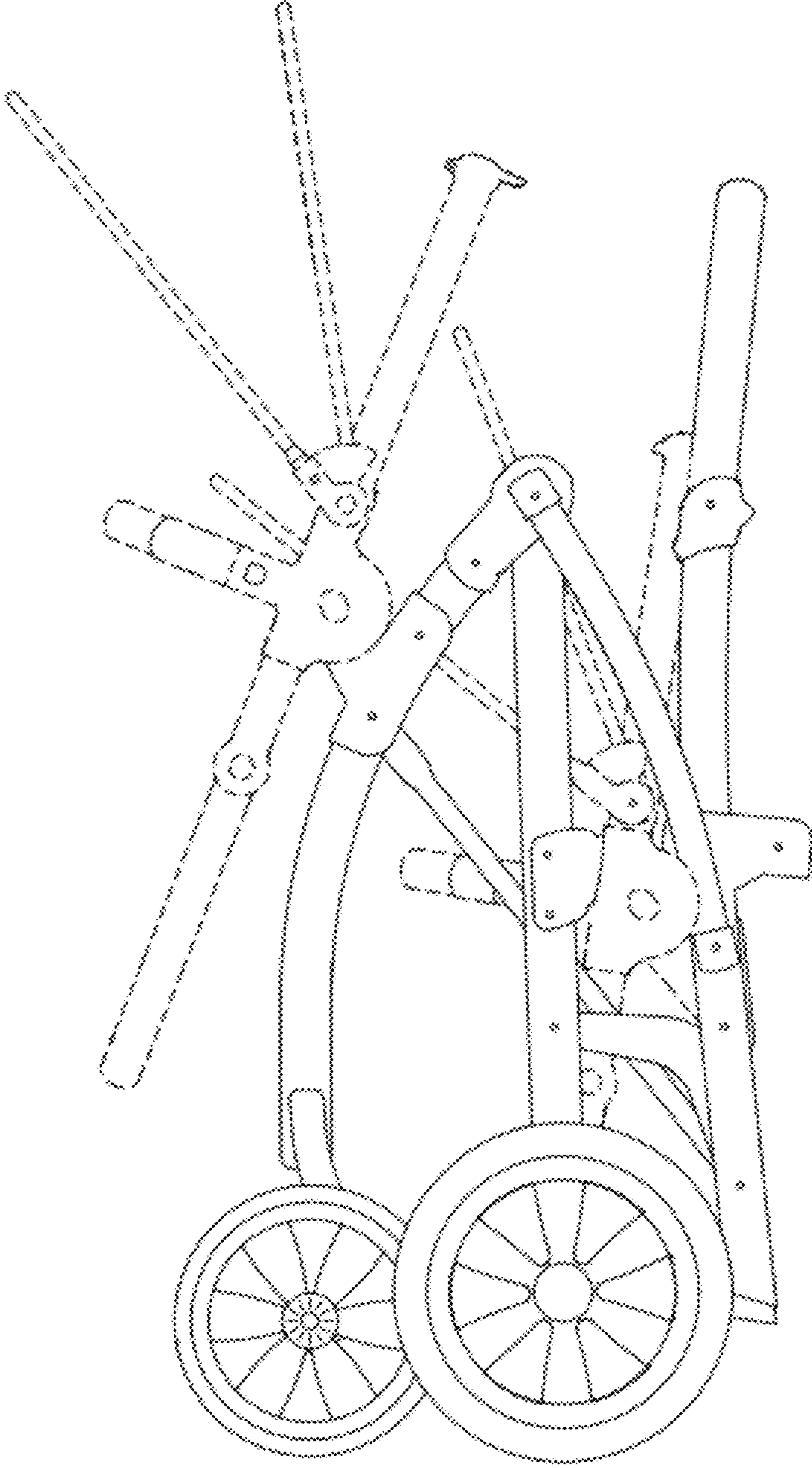


FIG. 9