



US00D666946S

(12) **United States Design Patent**
Uimonen

(10) **Patent No.:** **US D666,946 S**
(45) **Date of Patent:** **** Sep. 11, 2012**

(54) **FOLDABLE BICYCLE FRAME**

(75) Inventor: **Joakim Uimonen**, San Chung (TW)

(73) Assignee: **Mobility Holdings Limited**, Wanchai (HK)

(**) Term: **14 Years**

(21) Appl. No.: **29/416,162**

(22) Filed: **Mar. 19, 2012**

Related U.S. Application Data

(62) Division of application No. 29/390,630, filed on Apr. 27, 2011.

(51) **LOC (9) Cl.** **12-11**

(52) **U.S. Cl.** **D12/111**

(58) **Field of Classification Search** D12/111,
D12/117; 280/274-280, 281.1, 283-288,
280/288.1-288.4

See application file for complete search history.

(56) **References Cited**

U.S. PATENT DOCUMENTS

3,722,913	A	3/1973	Housayama
D235,249	S	6/1975	Kitsuda
4,541,648	A	9/1985	Takamiya et al.
7,393,125	B1	7/2008	Lai

D586,702	S	2/2009	Morris
D610,047	S	2/2010	Uimonen
D622,638	S	8/2010	Uimonen
D632,615	S	2/2011	Uimonen

Primary Examiner — Susan M Lee

Assistant Examiner — Linda G. Brooks

(74) *Attorney, Agent, or Firm* — Muncy, Geissler, Olds & Lowe, PLLC

(57) **CLAIM**

The ornamental design for a foldable bicycle frame, as shown and described.

DESCRIPTION

FIG. 1 is a perspective view of a foldable bicycle frame showing my new design;

FIG. 2 is a front elevational view thereof;

FIG. 3 is a rear elevational view thereof;

FIG. 4 is a left side view thereof;

FIG. 5 is a right side view thereof;

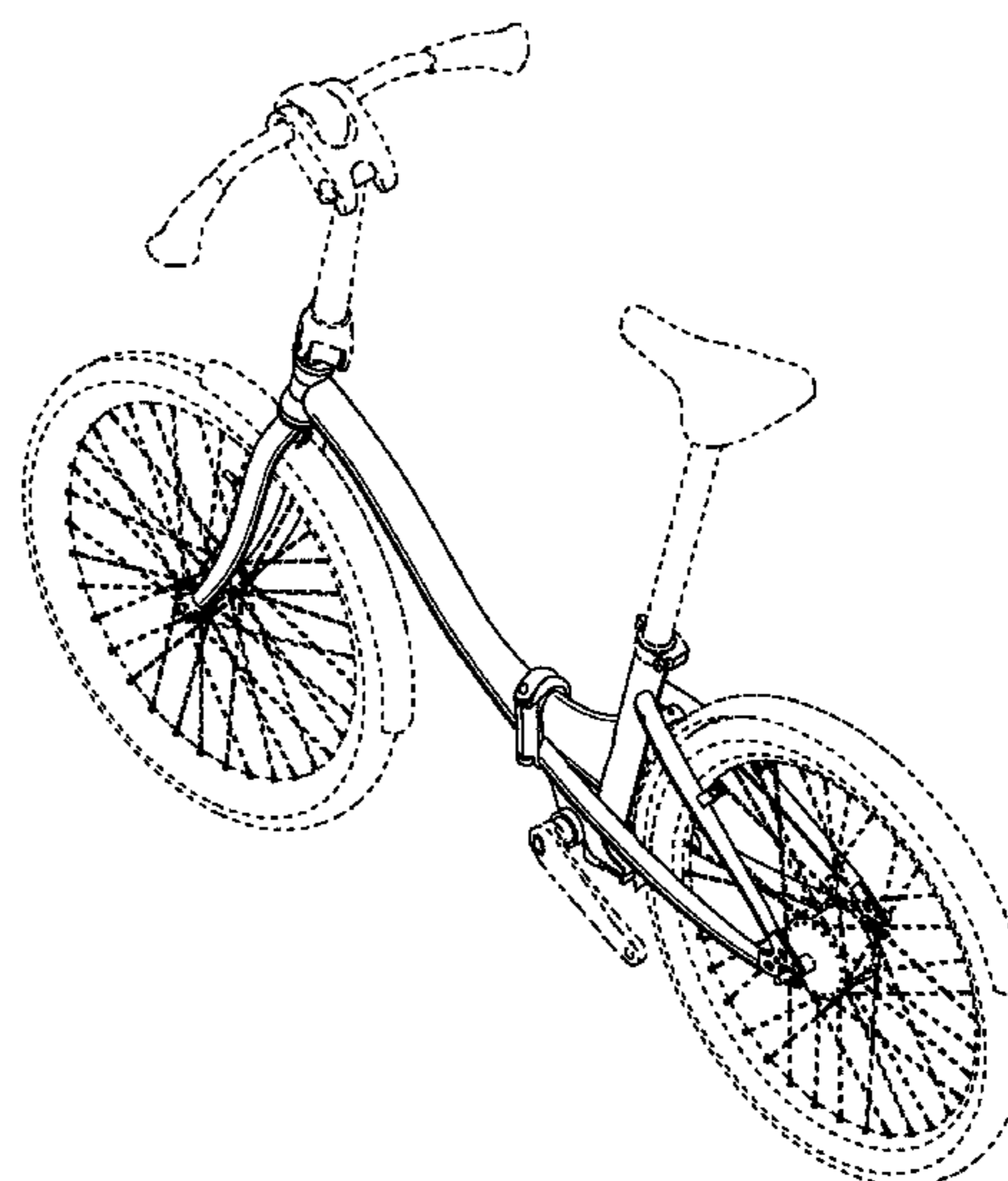
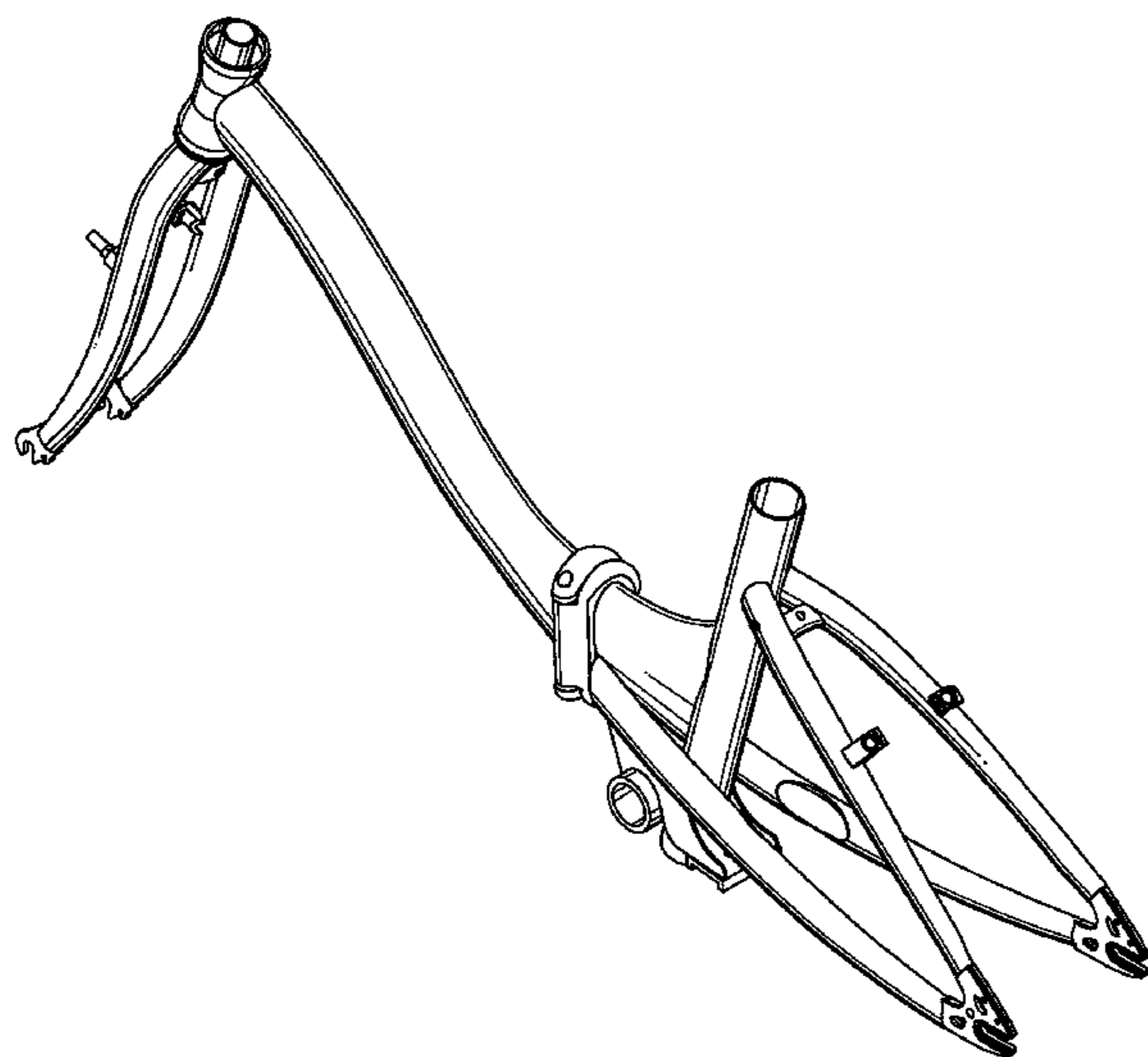
FIG. 6 is a top plan view thereof;

FIG. 7 is a bottom plan view thereof; and,

FIG. 8 is a perspective view showing the foldable bicycle frame of FIG. 1 being assembled on a foldable bicycle.

The broken line showing of the foldable bicycle in FIG. 8 is for the purpose of illustrating environmental structure only and forms no part of the claimed design.

1 Claim, 6 Drawing Sheets



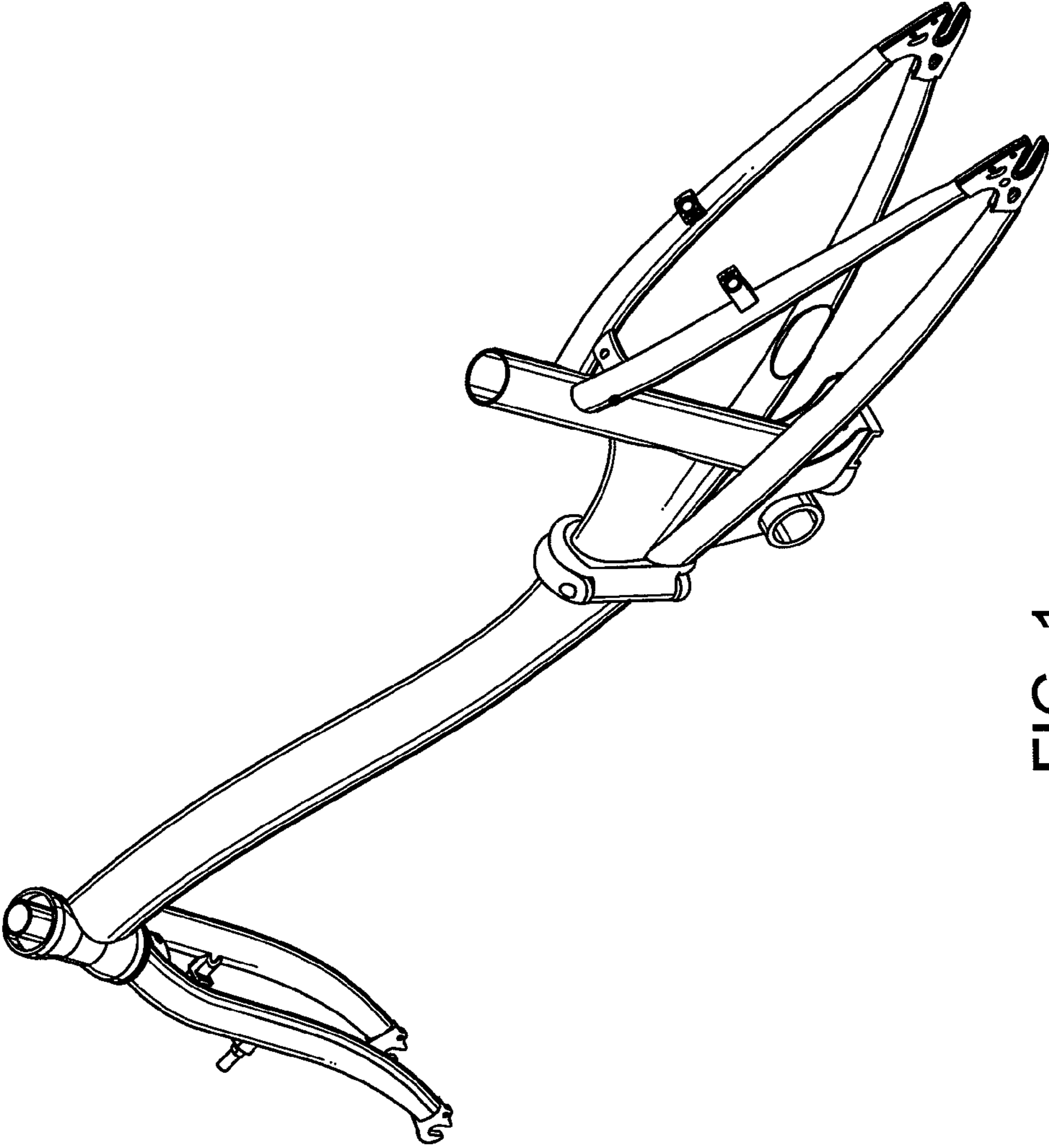


FIG. 1

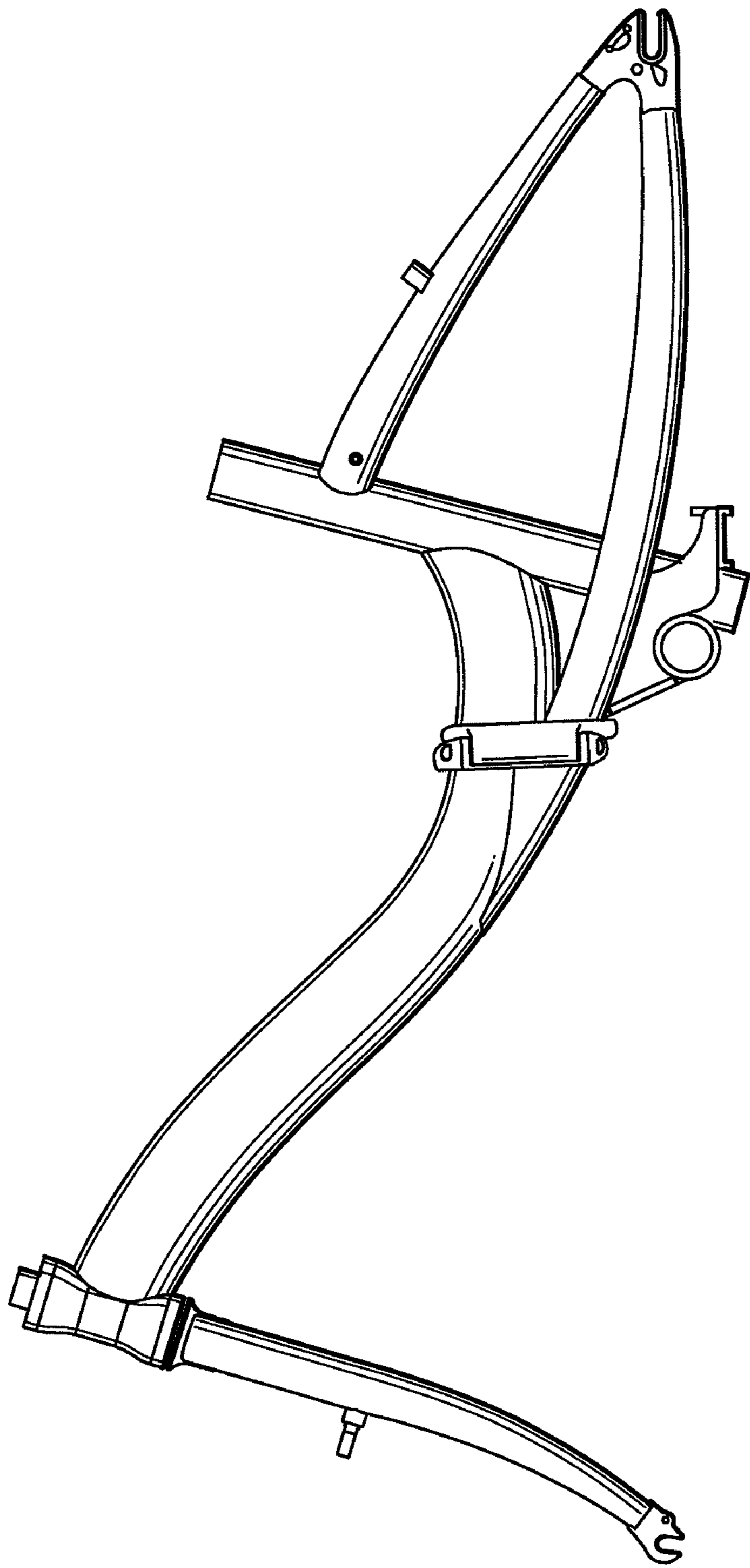


FIG. 2

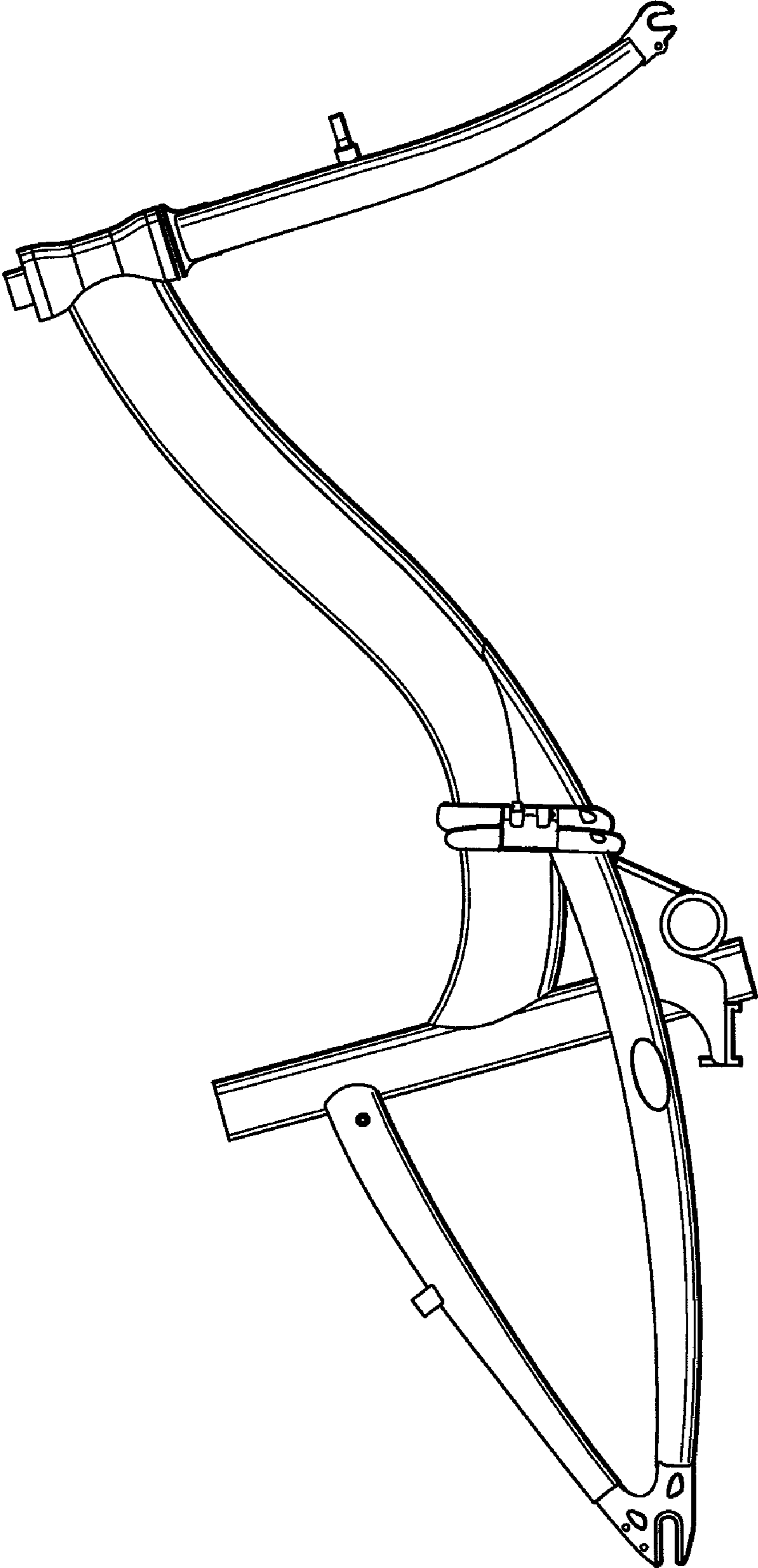


FIG. 3

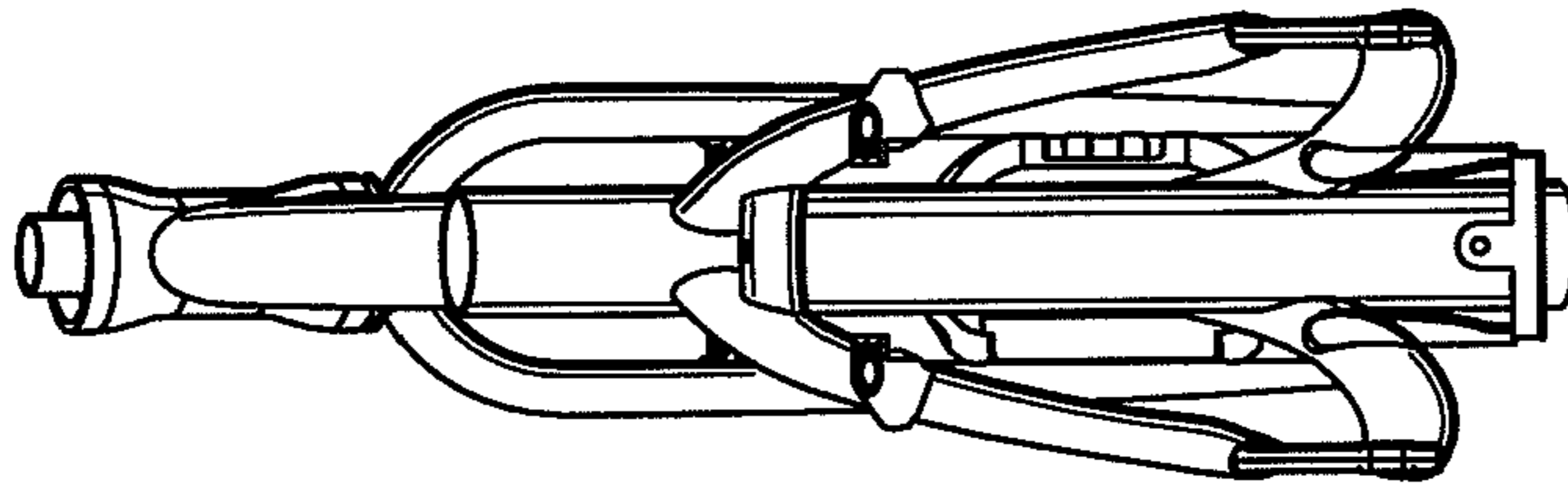


FIG. 5

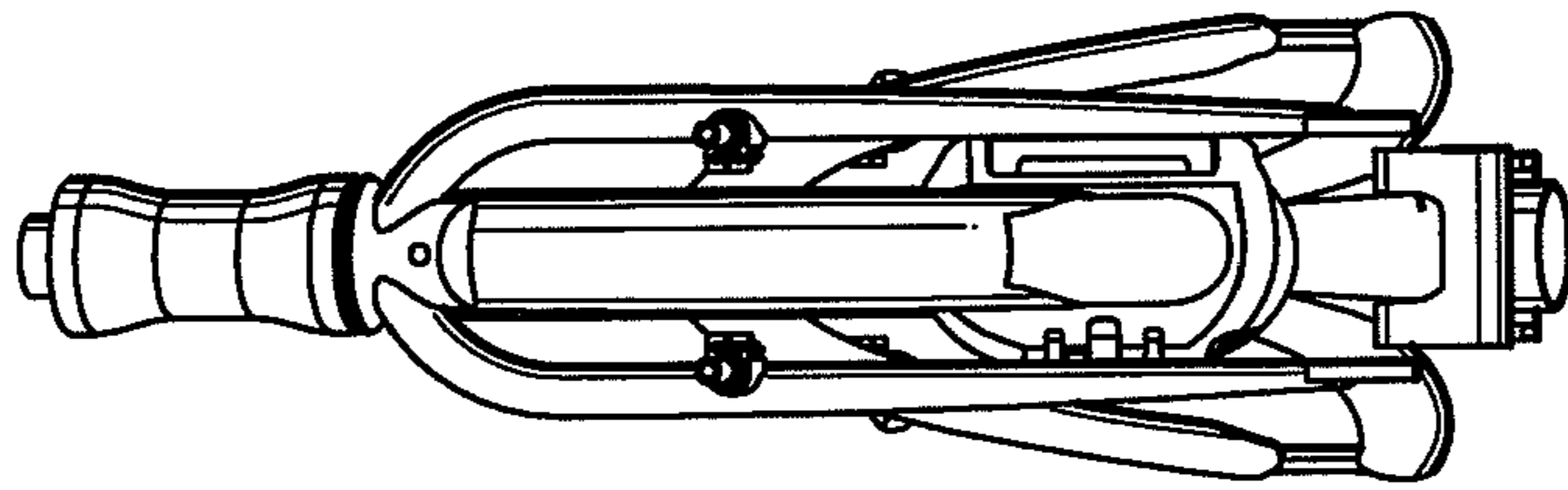


FIG. 4

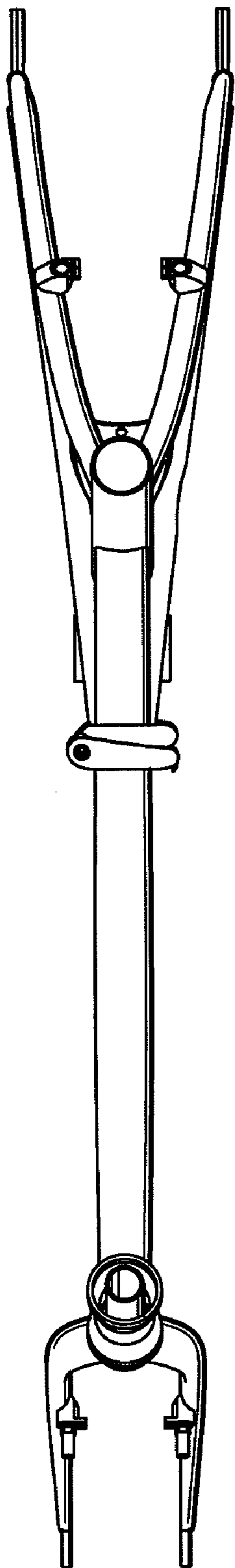


FIG. 6

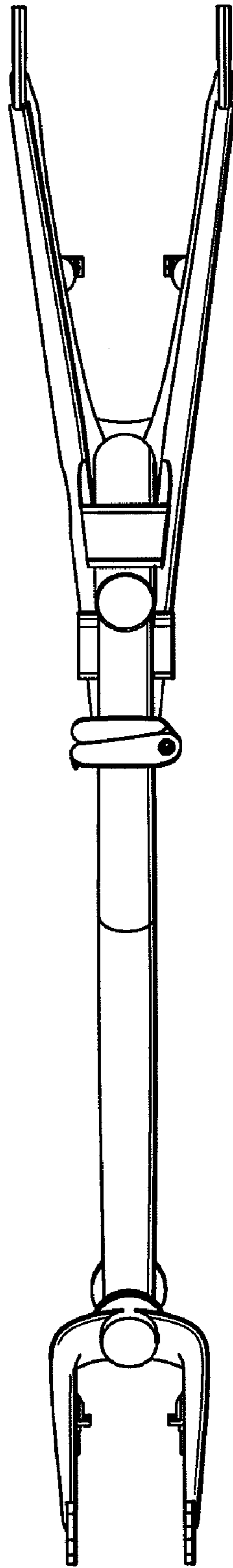


FIG. 7

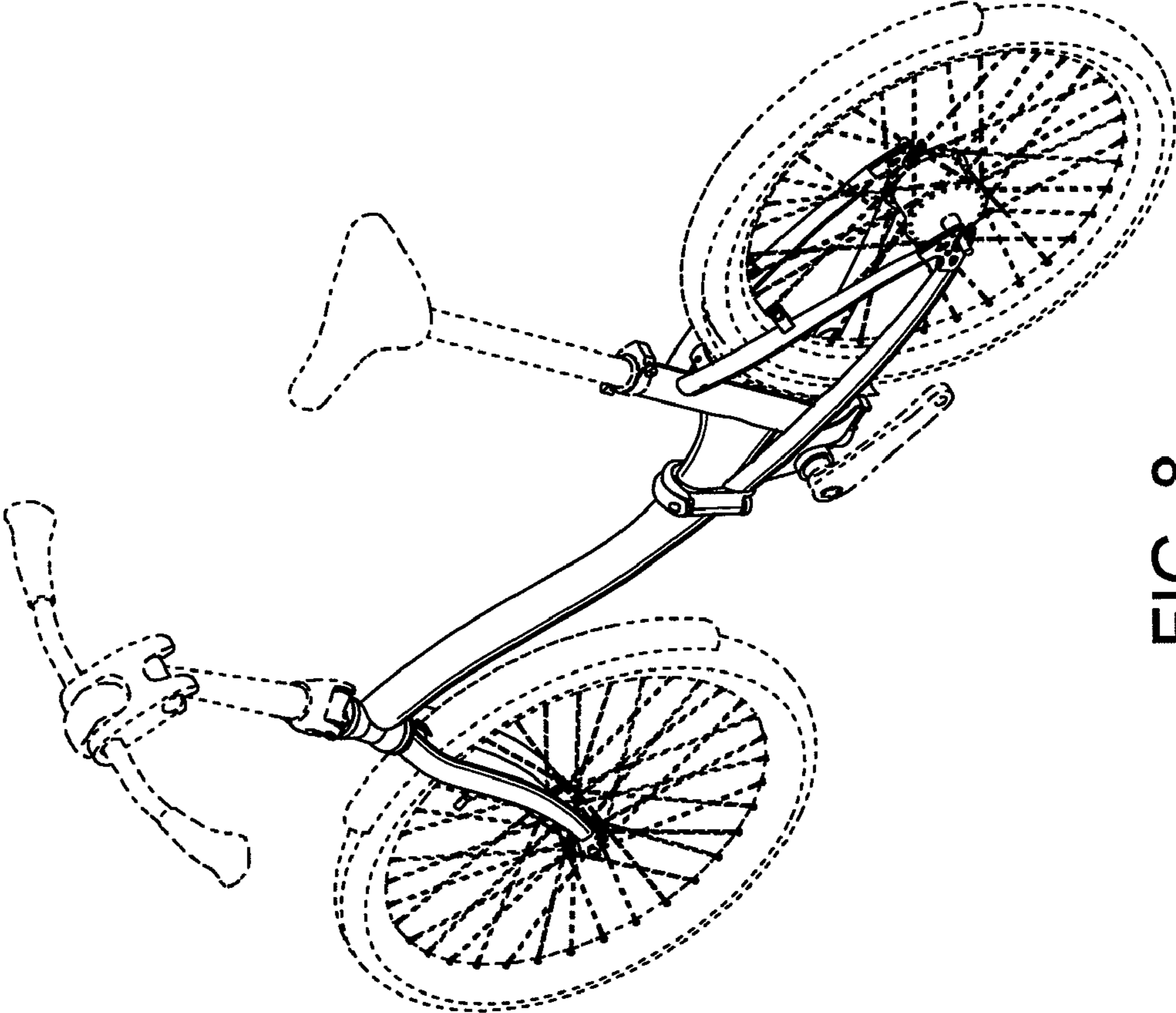


FIG. 8