



US00D666945S

(12) **United States Design Patent**
Ogawa et al.

(10) **Patent No.:** **US D666,945 S**
(45) **Date of Patent:** **** Sep. 11, 2012**

(54) **AUTOMOBILE AND/OR TOY REPLICA
THEREOF**

D633,009 S * 2/2011 Matei et al. D12/91
D646,606 S * 10/2011 Kato et al. D12/91
D657,715 S * 4/2012 Hakamata et al. D12/91

(75) Inventors: **Minoru Ogawa**, Kariya (JP); **Takeshi
Ogawa**, Kariya (JP)

(73) Assignee: **Toyota Jidosha Kabushiki Kaisha**,
Toyota-shi (JP)

(**) Term: **14 Years**

(21) Appl. No.: **29/417,405**

(22) Filed: **Apr. 3, 2012**

Related U.S. Application Data

(62) Division of application No. 29/391,710, filed on May
12, 2011.

(51) **LOC (9) Cl.** **12-08**

(52) **U.S. Cl.** **D12/91**

(58) **Field of Classification Search** D12/86,
D12/90-92; D21/424, 433, 434; 296/181.1,
296/181.5

See application file for complete search history.

(56) **References Cited**

U.S. PATENT DOCUMENTS

D525,562 S 7/2006 Yagi et al.
D525,910 S 8/2006 Sugiura et al.
D550,123 S 9/2007 Sasaki
D622,634 S * 8/2010 Yamamoto et al. D12/91
D631,398 S * 1/2011 Oda et al. D12/91

OTHER PUBLICATIONS

Motor Fan—Additional volume, Shingata Elgrande no Subete, San-
eishobo Publishing Co., Ltd., Nissan Elgrande, Oct. 7, 2010.
ElySION Prestige, Mfg. Honda, Website: “Car Watch”; URL:http://car.watch.imprss.co.jp/docs/news/20101118_407686.html, 2011.

* cited by examiner

Primary Examiner — Melody N Brown

(74) *Attorney, Agent, or Firm* — Finnegan, Henderson,
Farabow, Garrett & Dunner, LLP

(57) **CLAIM**

The ornamental design for an automobile and/or toy replica
thereof, as shown and described.

DESCRIPTION

FIG. 1 is a front left perspective view of an automobile and/or
toy replica thereof of our new design;

FIG. 2 is a front right perspective view thereof;

FIG. 3 is a left side view thereof;

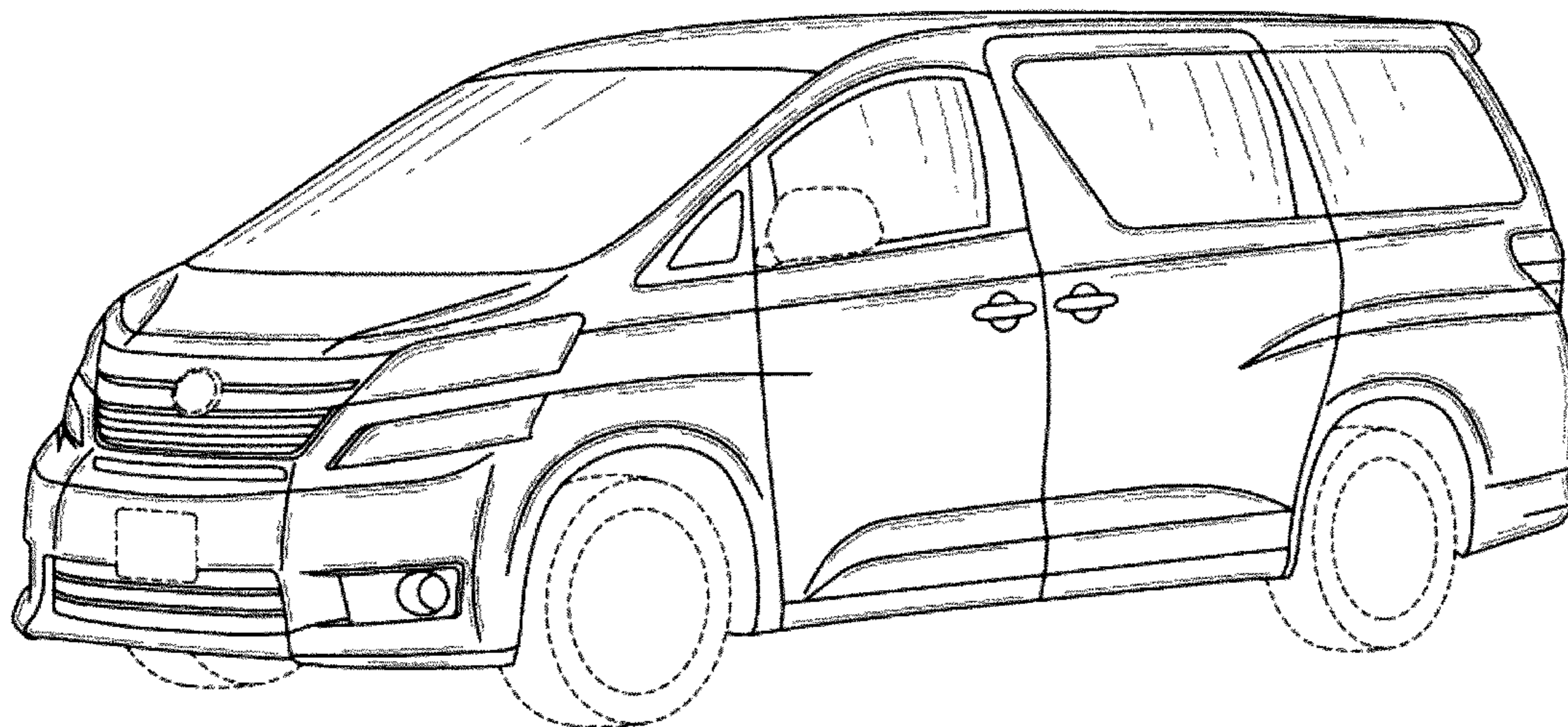
FIG. 4 is a right side view thereof;

FIG. 5 is a front view thereof, the rear view being a mirror
image; and,

FIG. 6 is a top plan view thereof.

The broken lines of uniform length in FIGS. 1-6 depict envi-
ronment and the elements depicted in these broken lines form
no part of the claimed design. The bottom view forms no part
of the claimed design.

1 Claim, 5 Drawing Sheets



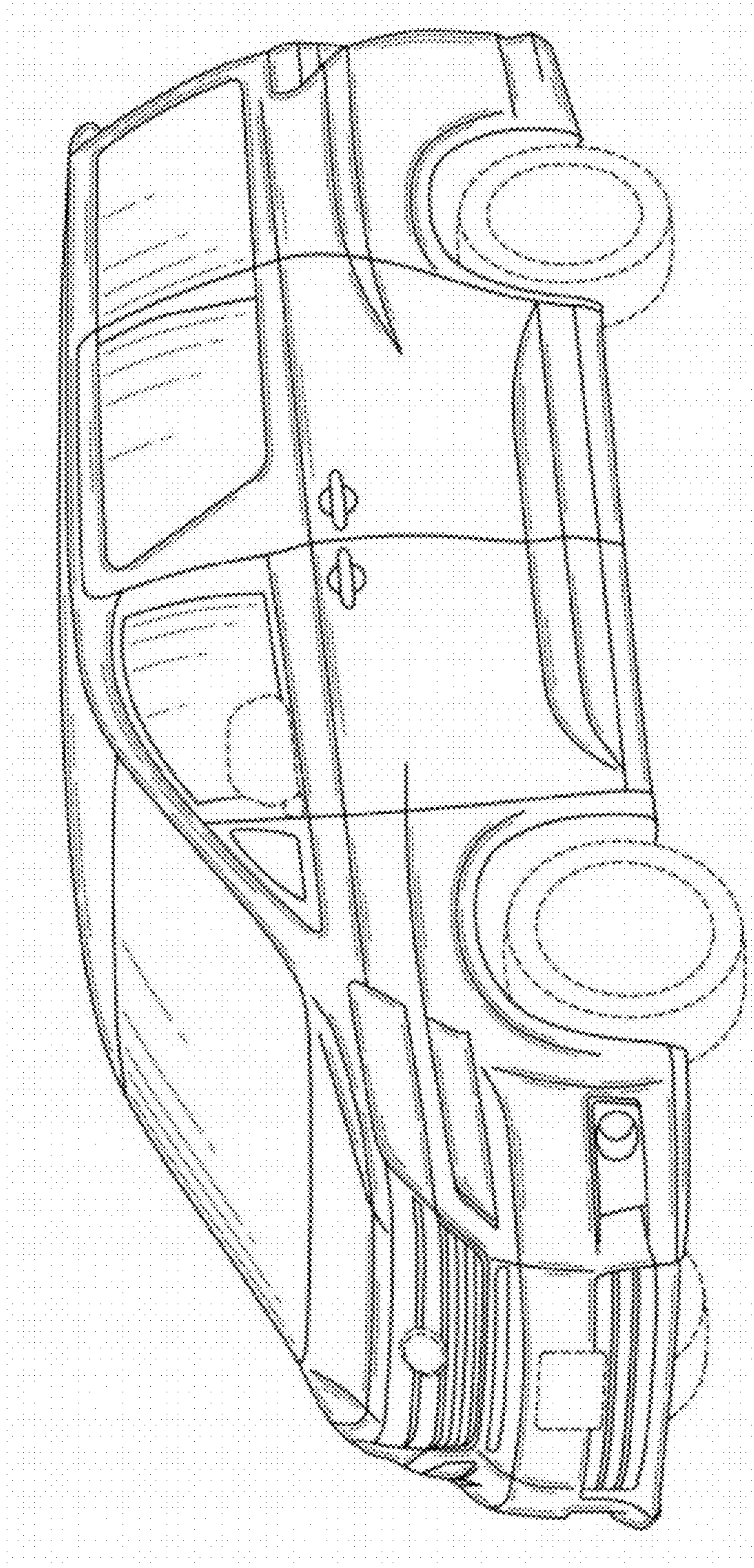


FIG. 1

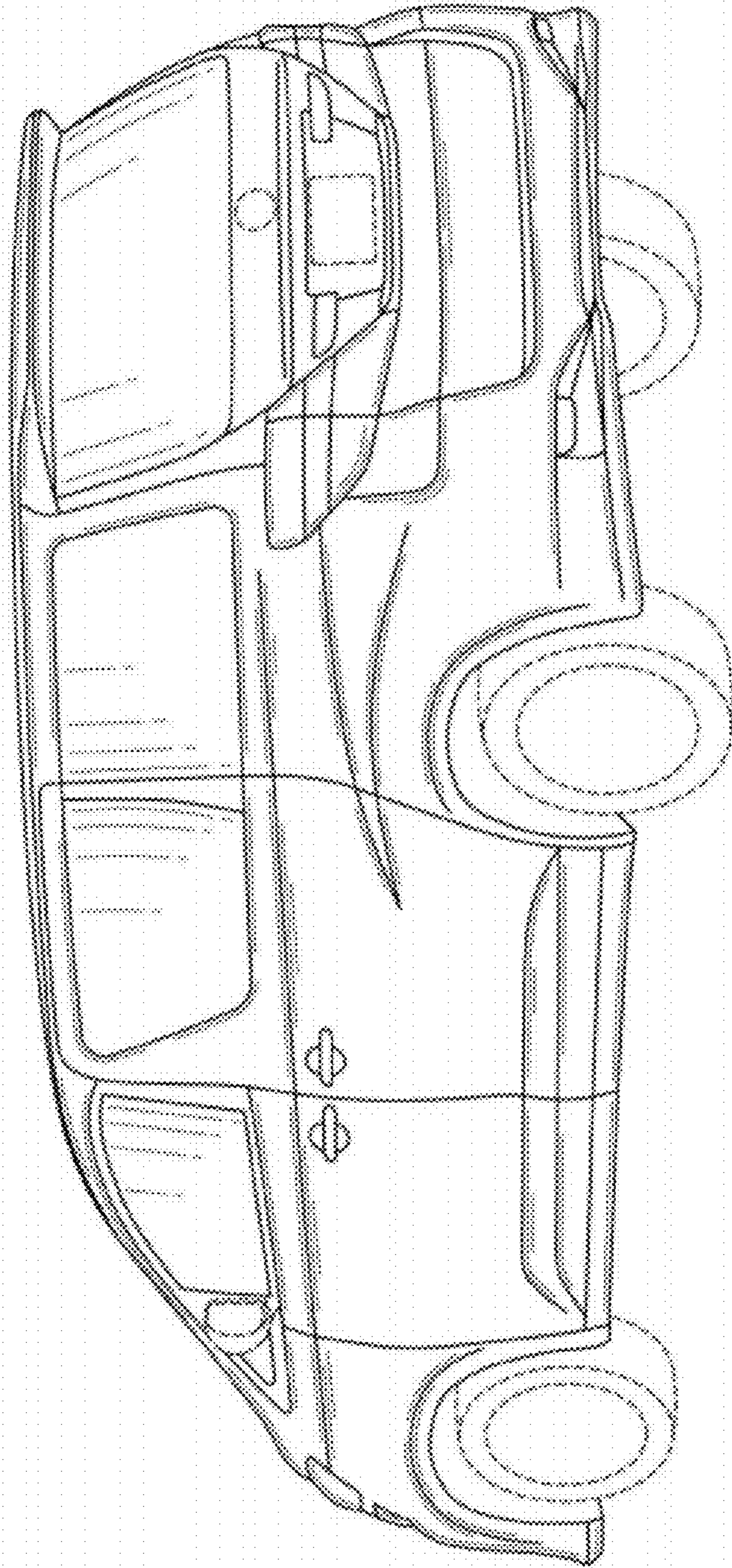


FIG. 2

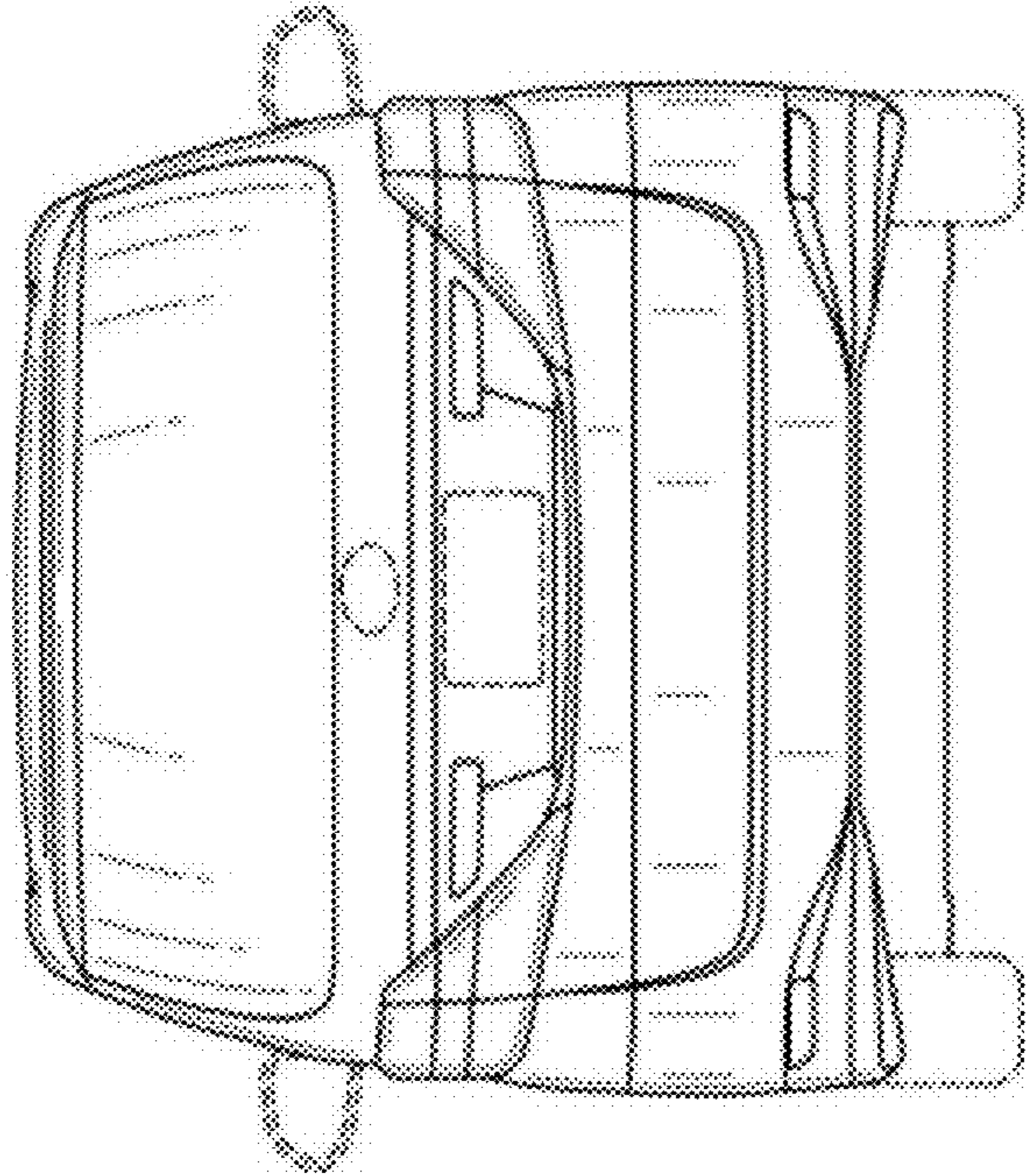


FIG. 3

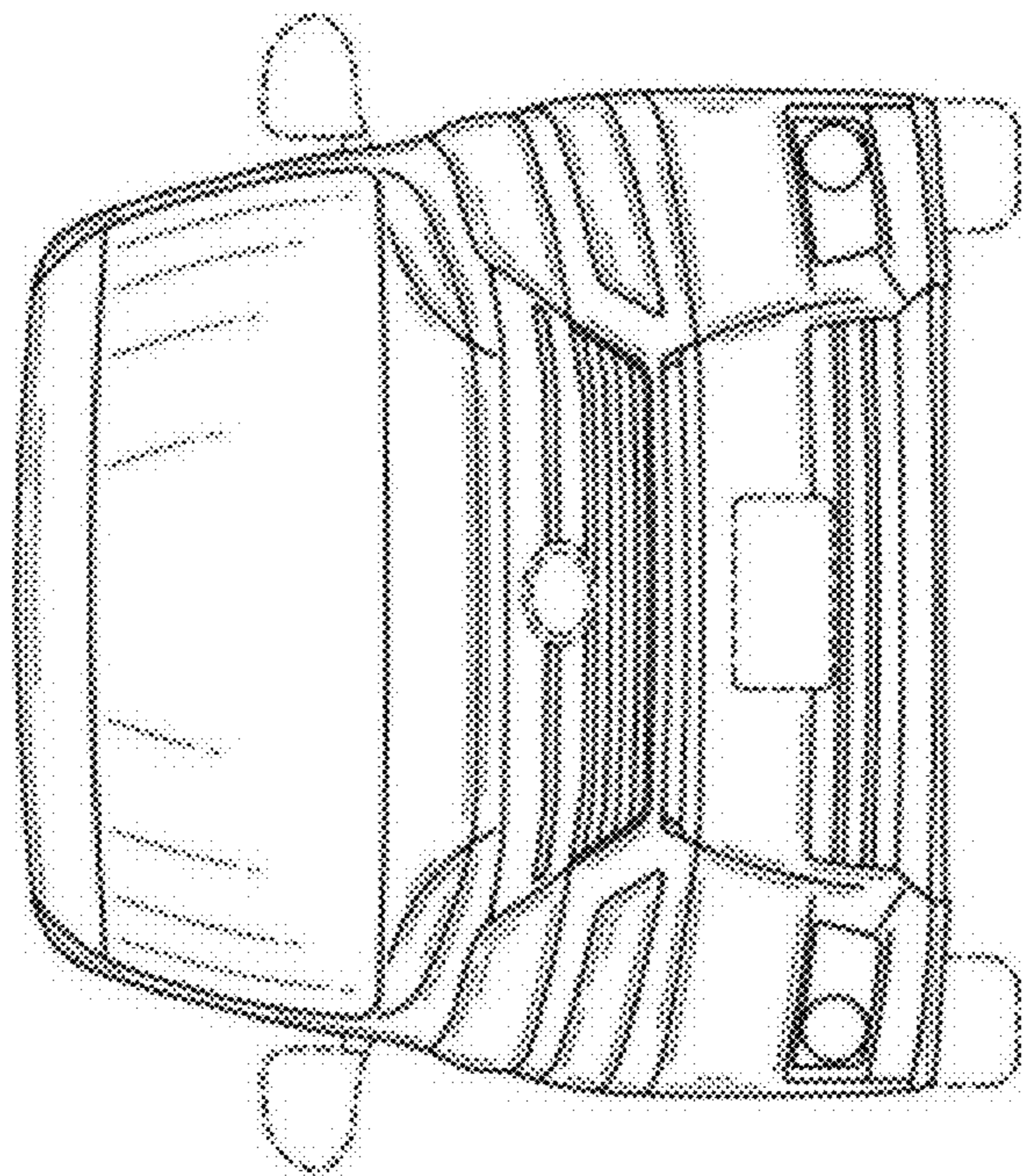


FIG. 4

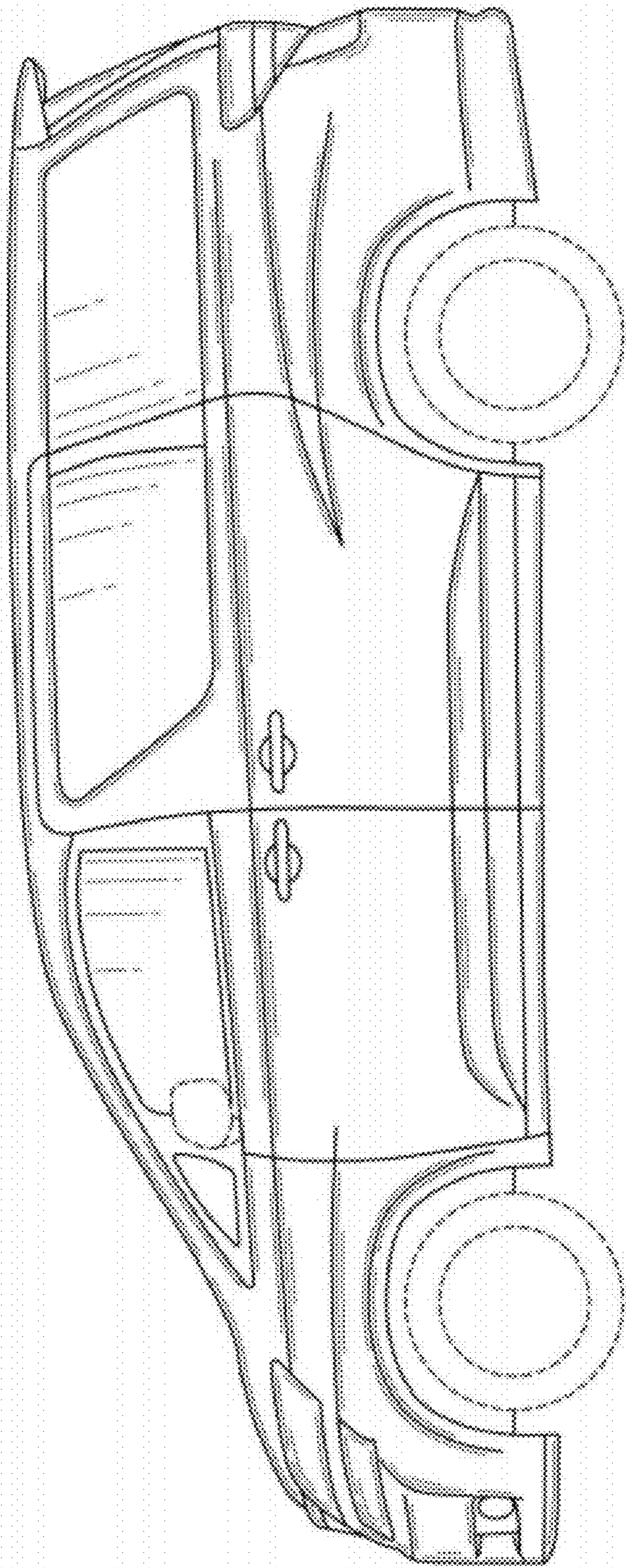


FIG. 5

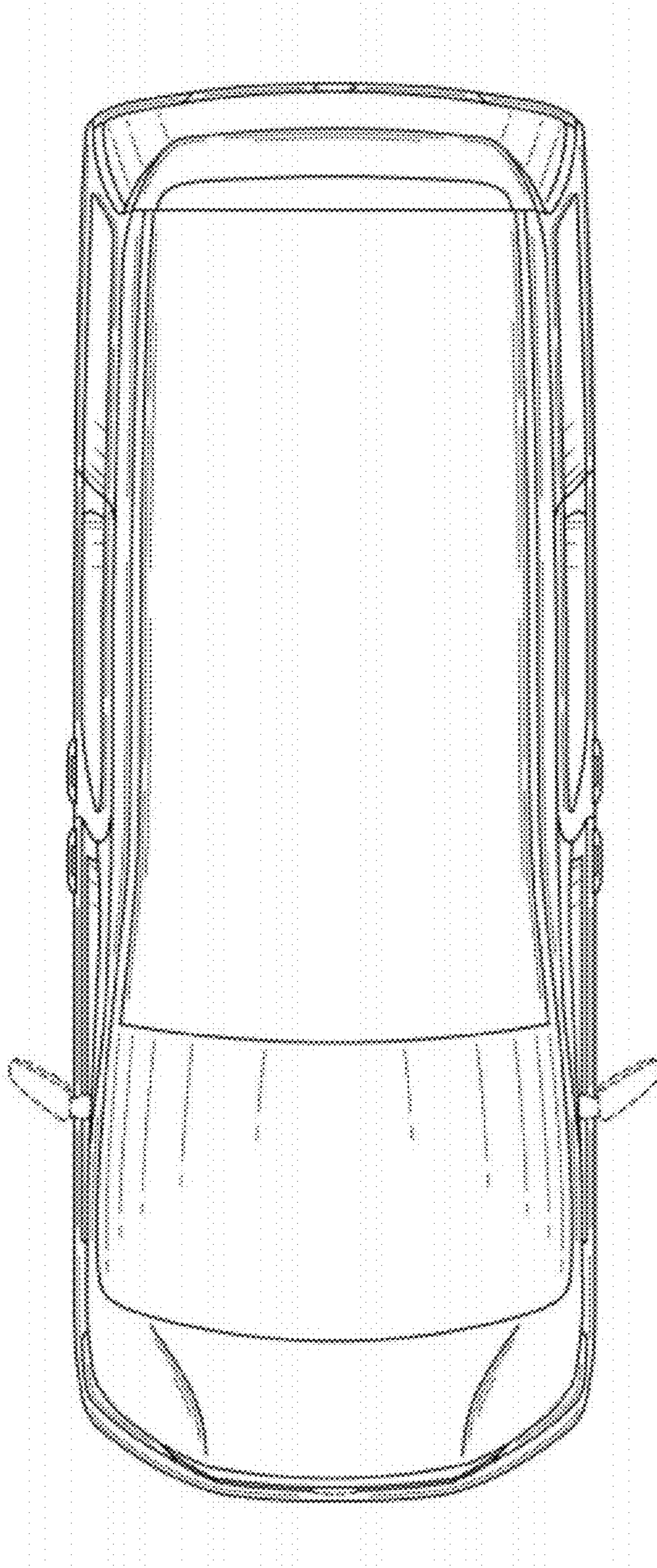


FIG. 6

UNITED STATES PATENT AND TRADEMARK OFFICE
CERTIFICATE OF CORRECTION

PATENT NO. : D666,945 S
APPLICATION NO. : 29/417405
DATED : September 11, 2012
INVENTOR(S) : Minoru Ogawa et al.

Page 1 of 1

It is certified that error appears in the above-identified patent and that said Letters Patent is hereby corrected as shown below:

On the Title Page

Please correct the residence information of the listed inventors in item (75) of the above-identified patent, as follows:

Minoru Ogawa, Aichi-gun, Aichi-ken (JP);
Takeshi Ogawa, Nagoya-shi, Aichi-ken (JP).

Signed and Sealed this
Second Day of December, 2014



Michelle K. Lee
Deputy Director of the United States Patent and Trademark Office