



US00D666943S

(12) **United States Design Patent**
Konaka et al.

(10) **Patent No.:** **US D666,943 S**

(45) **Date of Patent:** **** Sep. 11, 2012**

(54) **AUTOMOBILE AND/OR REPLICA THEREOF**

(75) Inventors: **Manabu Konaka**, Saitama (JP); **Seiji Takayama**, Saitama (JP)

(73) Assignee: **Honda Motor Co., Ltd**, Tokyo (JP)

(**) Term: **14 Years**

(21) Appl. No.: **29/400,783**

(22) Filed: **Sep. 1, 2011**

(30) **Foreign Application Priority Data**

Mar. 10, 2011 (JP) 2011-005482

(51) **LOC (9) Cl.** **12-08**

(52) **U.S. Cl.** **D12/91**

(58) **Field of Classification Search** D12/86,
D12/90-92; D21/424, 433, 434; 296/181.1,
296/181.5

See application file for complete search history.

(56) **References Cited**

U.S. PATENT DOCUMENTS

D504,639 S * 5/2005 Oishi et al. D12/91
D608,694 S * 1/2010 Okue et al. D12/91
D617,684 S * 6/2010 Nagura et al. D12/92
D619,500 S * 7/2010 Hsu et al. D12/91

D622,635 S * 8/2010 Scott et al. D12/92
D624,850 S * 10/2010 Yagi et al. D12/91
D628,938 S * 12/2010 Yamazaki et al. D12/91
D630,553 S * 1/2011 Muller D12/91
D630,554 S * 1/2011 Kim D12/91
D633,823 S * 3/2011 Matei et al. D12/91
D642,093 S * 7/2011 Kubo et al. D12/91
D651,942 S * 1/2012 Cho D12/91
D655,648 S * 3/2012 Imaiida et al. D12/91

* cited by examiner

Primary Examiner — Melody N Brown

(74) *Attorney, Agent, or Firm* — Westerman, Hattori,
Daniels & Adrian, LLP

(57) **CLAIM**

The ornamental design for, an automobile and/or replica thereof, as shown and described.

DESCRIPTION

FIG. 1 is a perspective view of an automobile and/or replica thereof, showing our new design;

FIG. 2 is another perspective view thereof;

FIG. 3 is a front elevation view thereof;

FIG. 4 is a rear elevation view thereof;

FIG. 5 is a top plan view thereof; and,

FIG. 6 is a right side elevation view thereof.

The left side elevation view is a mirror image of the right side elevation view. The broken lines are for illustrative purposes only and form no part of the claimed design.

1 Claim, 5 Drawing Sheets

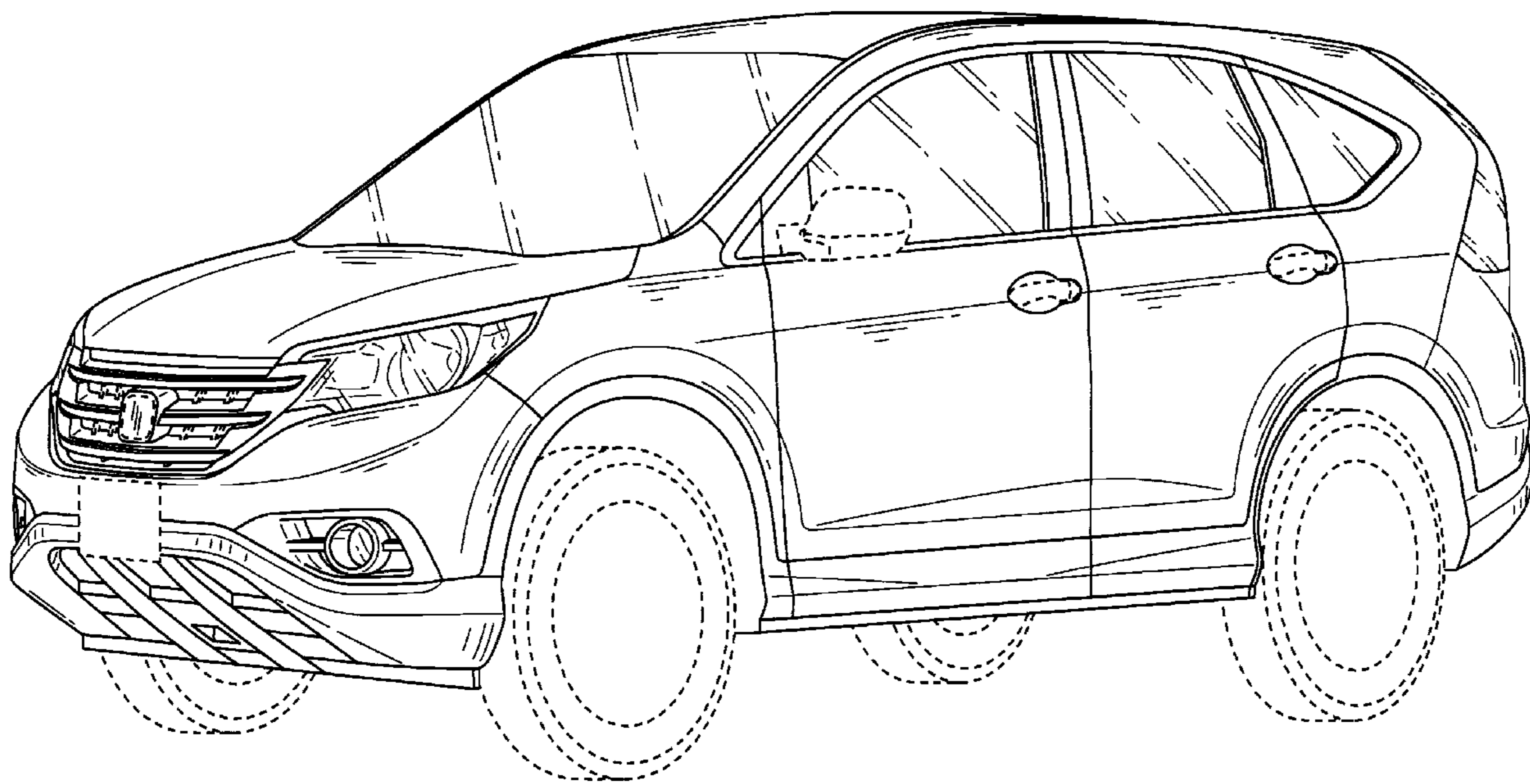


FIG. 1

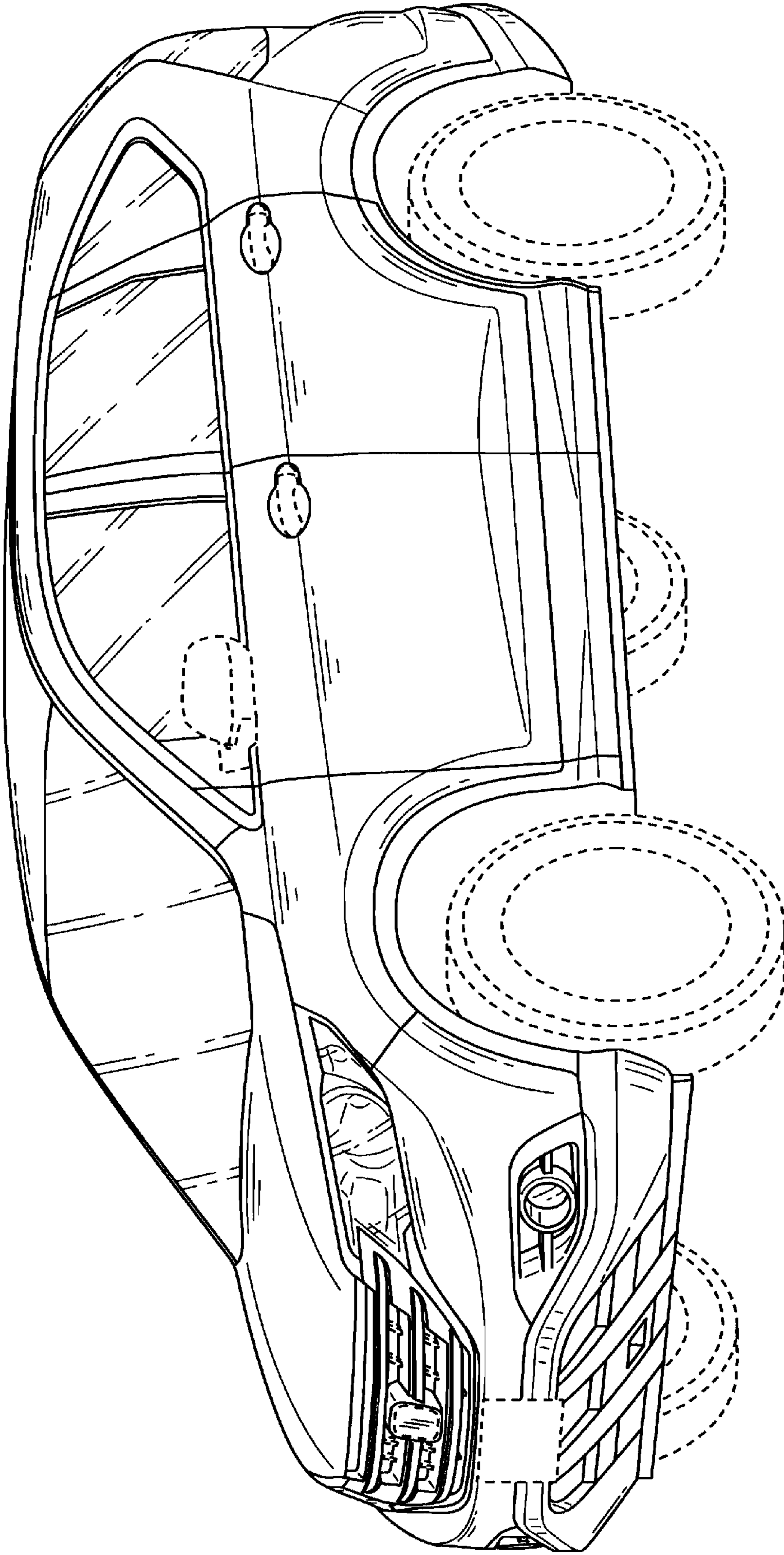


FIG. 2

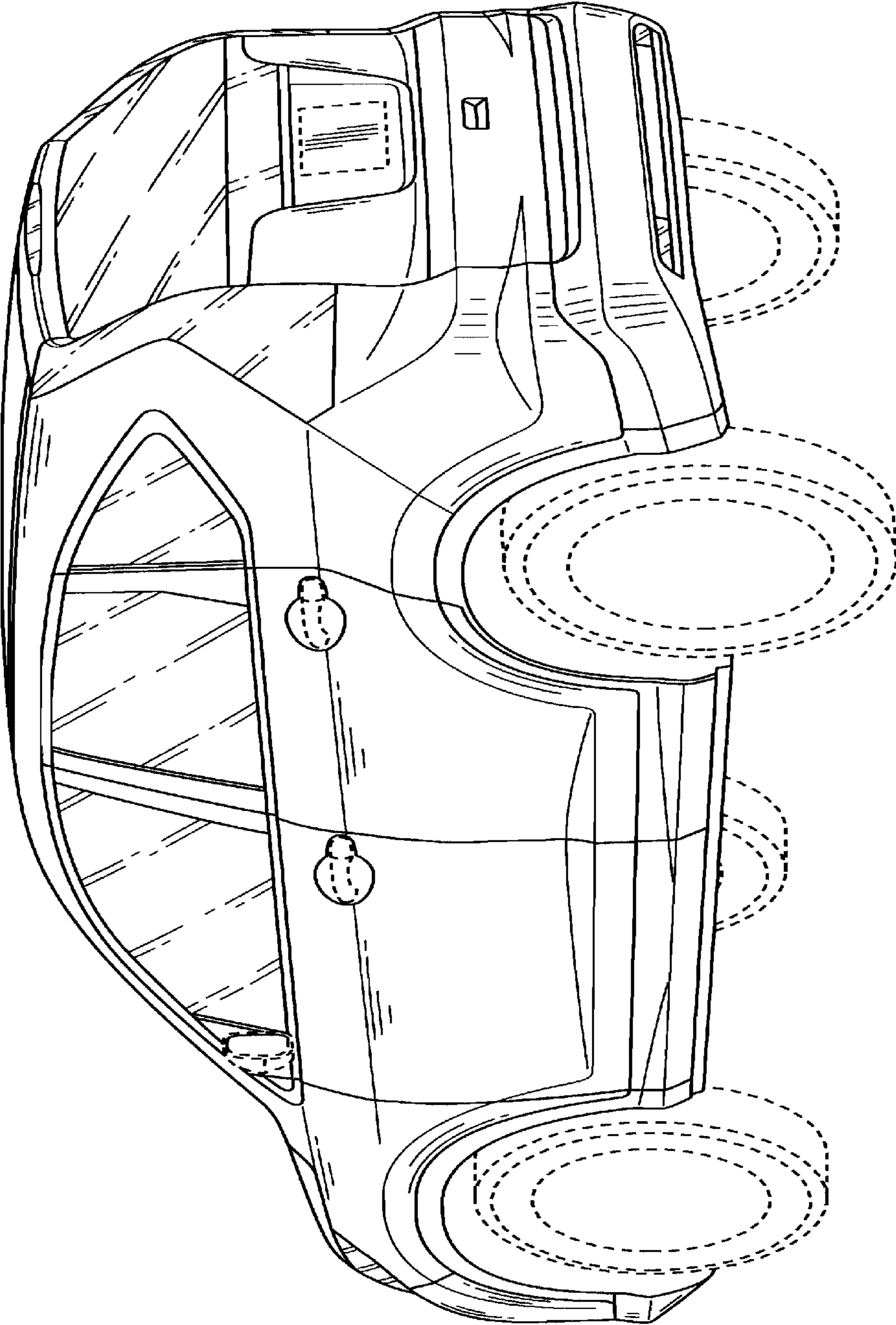


FIG. 4

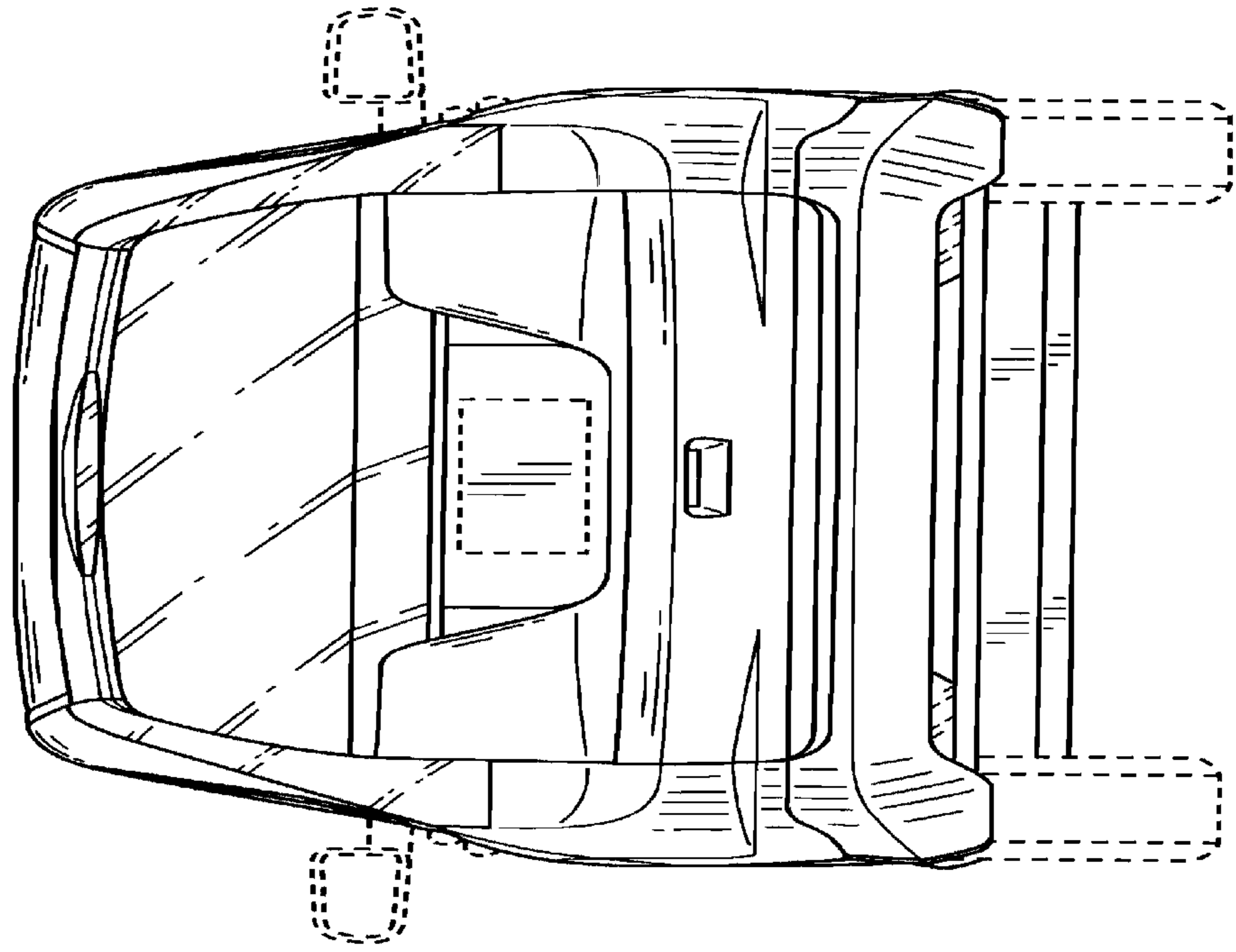


FIG. 3

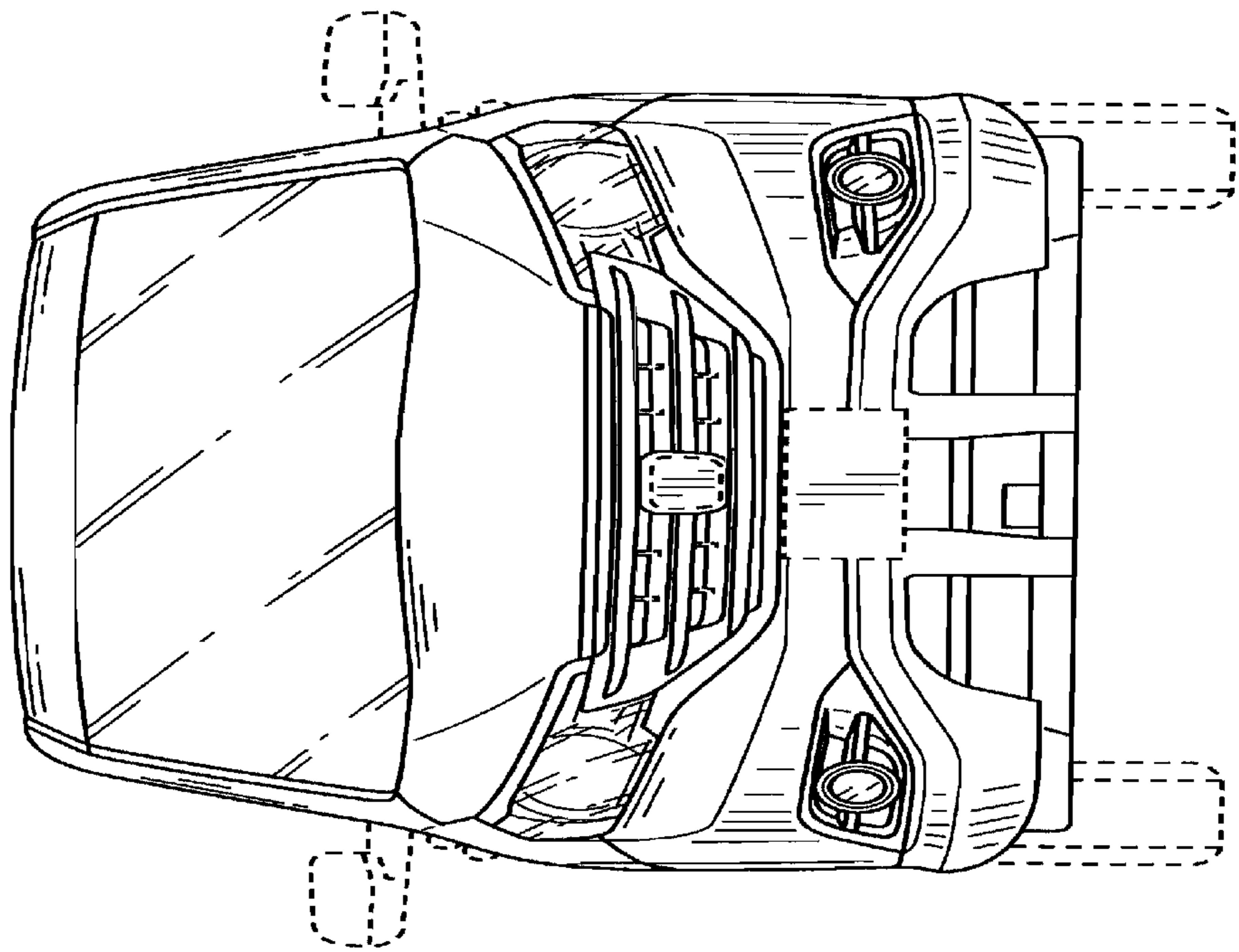


FIG. 5

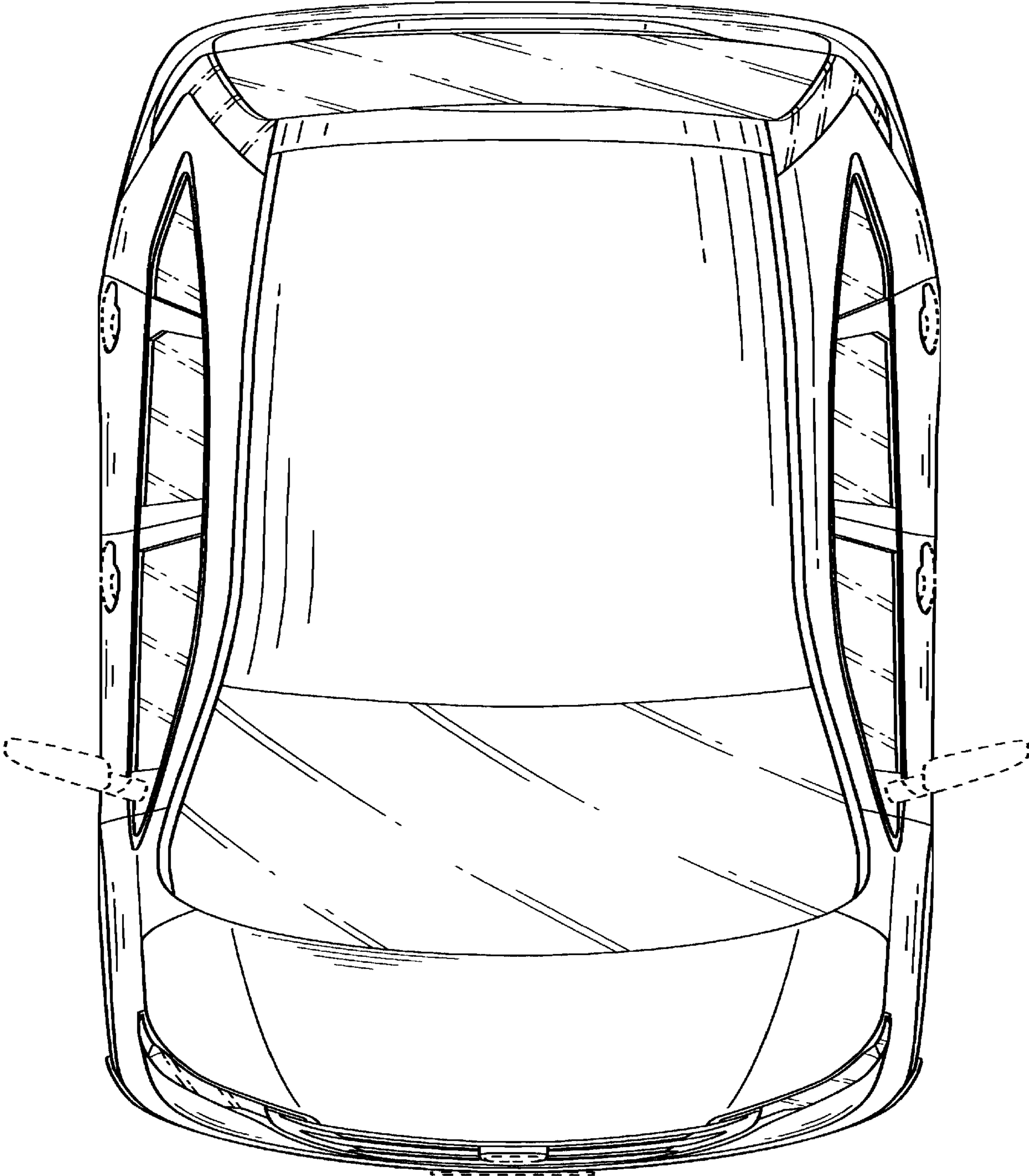
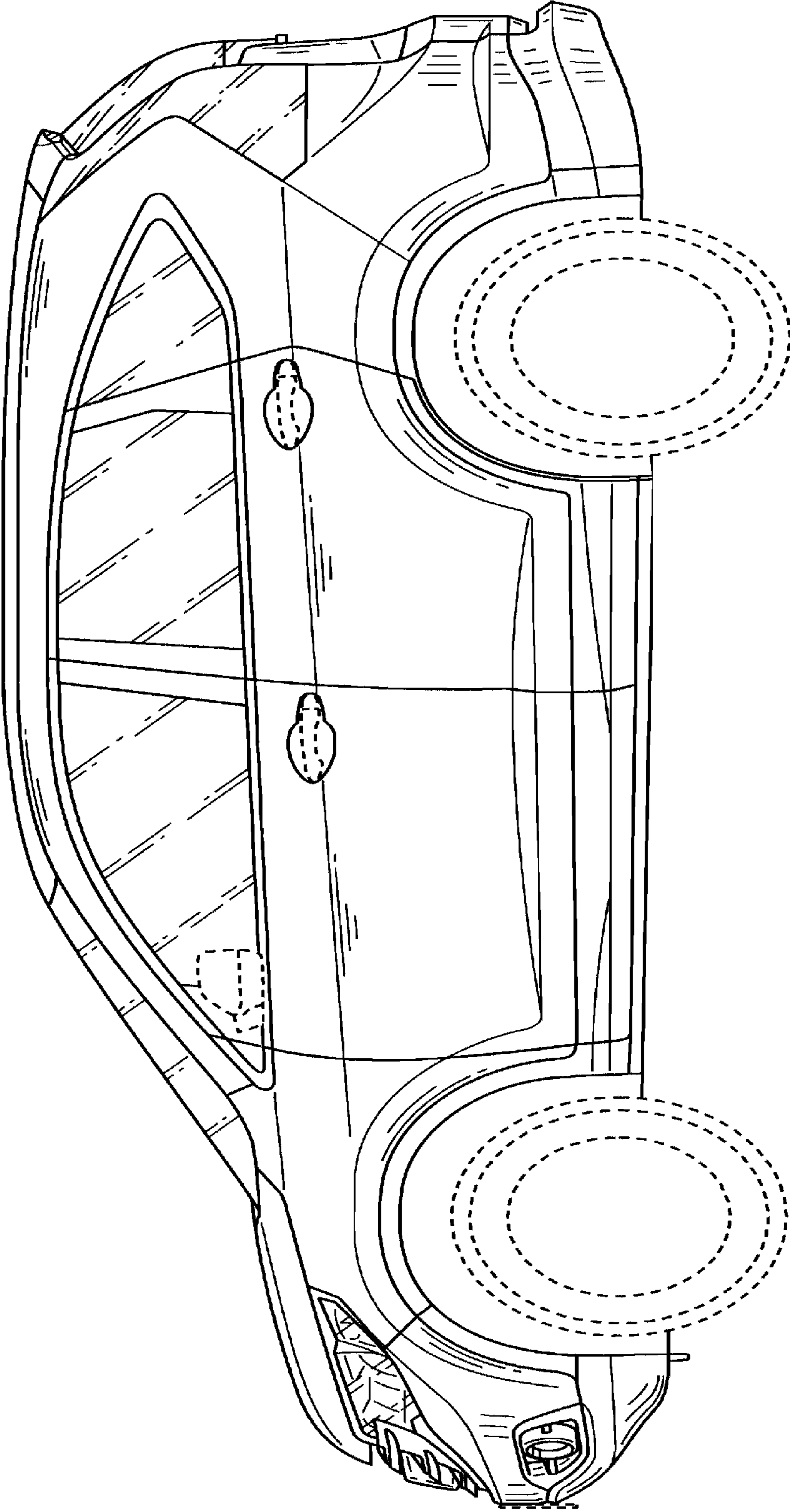


FIG. 6



UNITED STATES PATENT AND TRADEMARK OFFICE
CERTIFICATE OF CORRECTION

PATENT NO. : D666,943 S
APPLICATION NO. : 29/400783
DATED : September 11, 2012
INVENTOR(S) : Manabu Konaka et al.

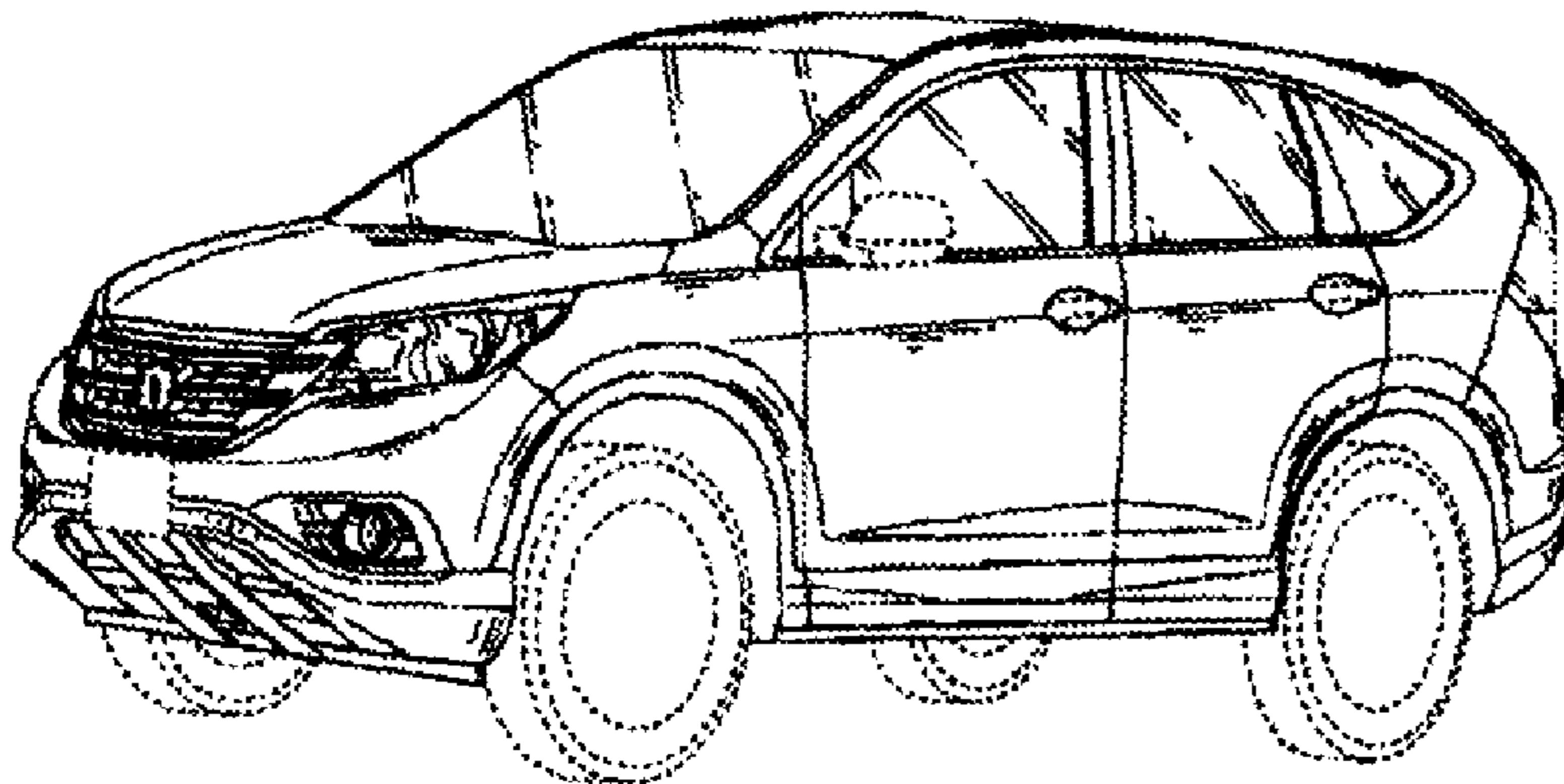
Page 1 of 5

It is certified that error appears in the above-identified patent and that said Letters Patent is hereby corrected as shown below:

Title page and in the drawings, Figure 1;

Change

FIG. 1



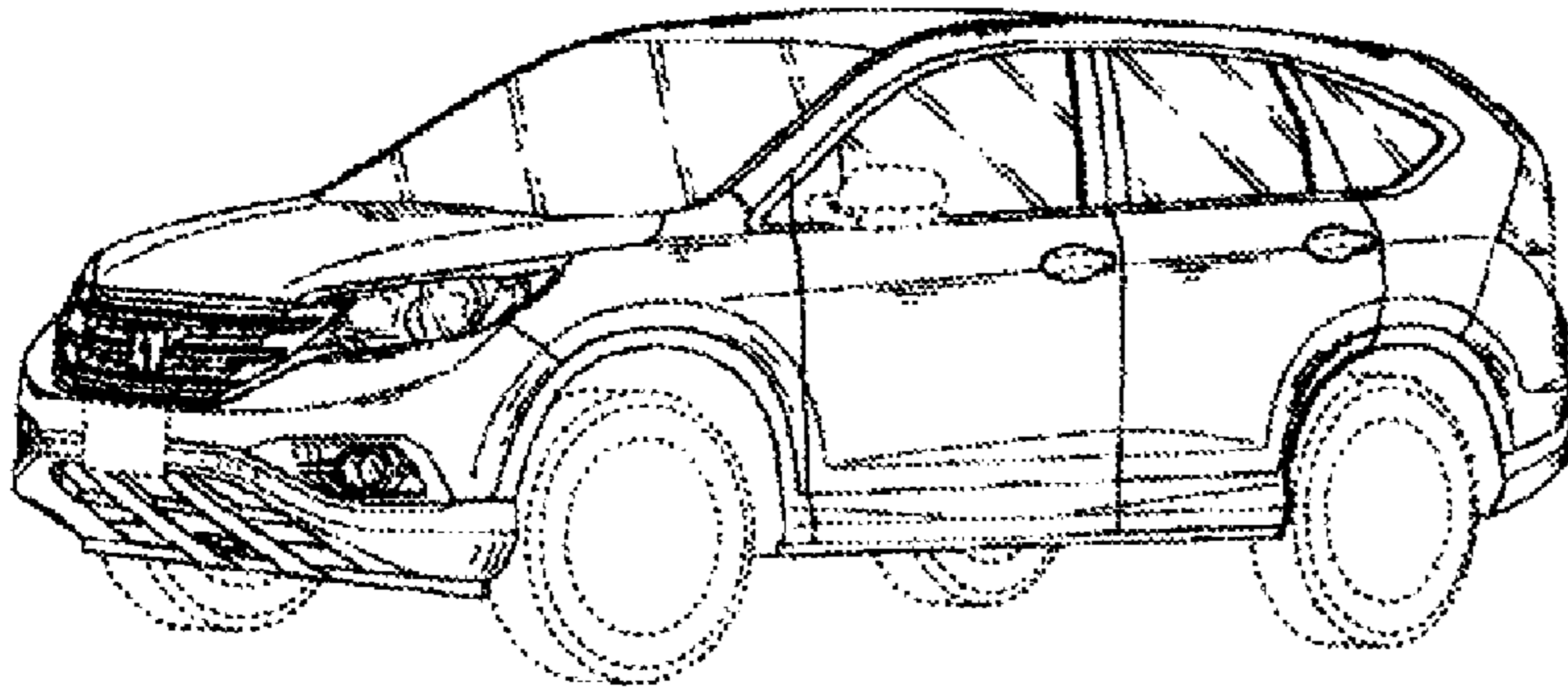
To be

Signed and Sealed this
Eighth Day of January, 2013

David J. Kappos

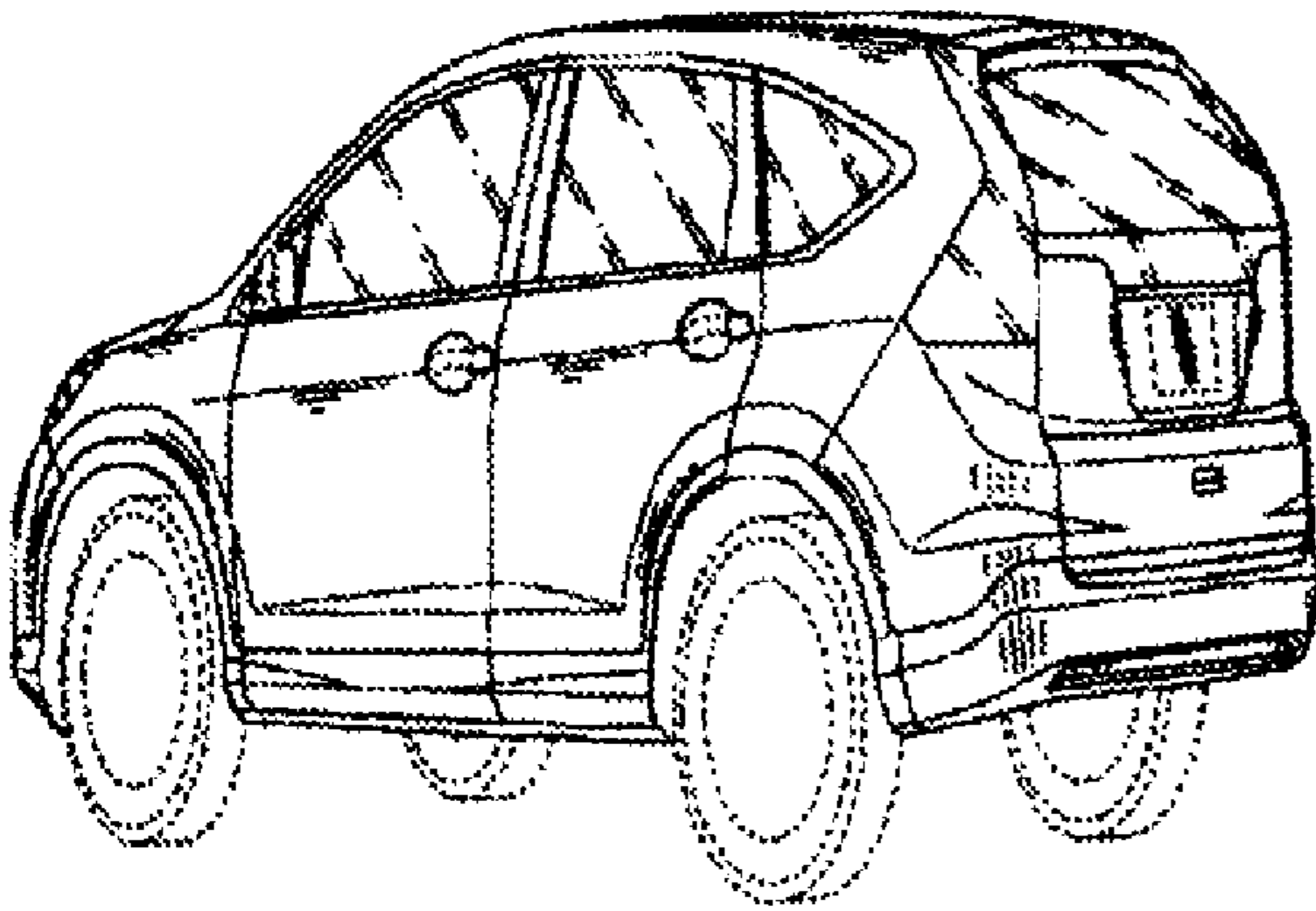
David J. Kappos
Director of the United States Patent and Trademark Office

FIG. 1



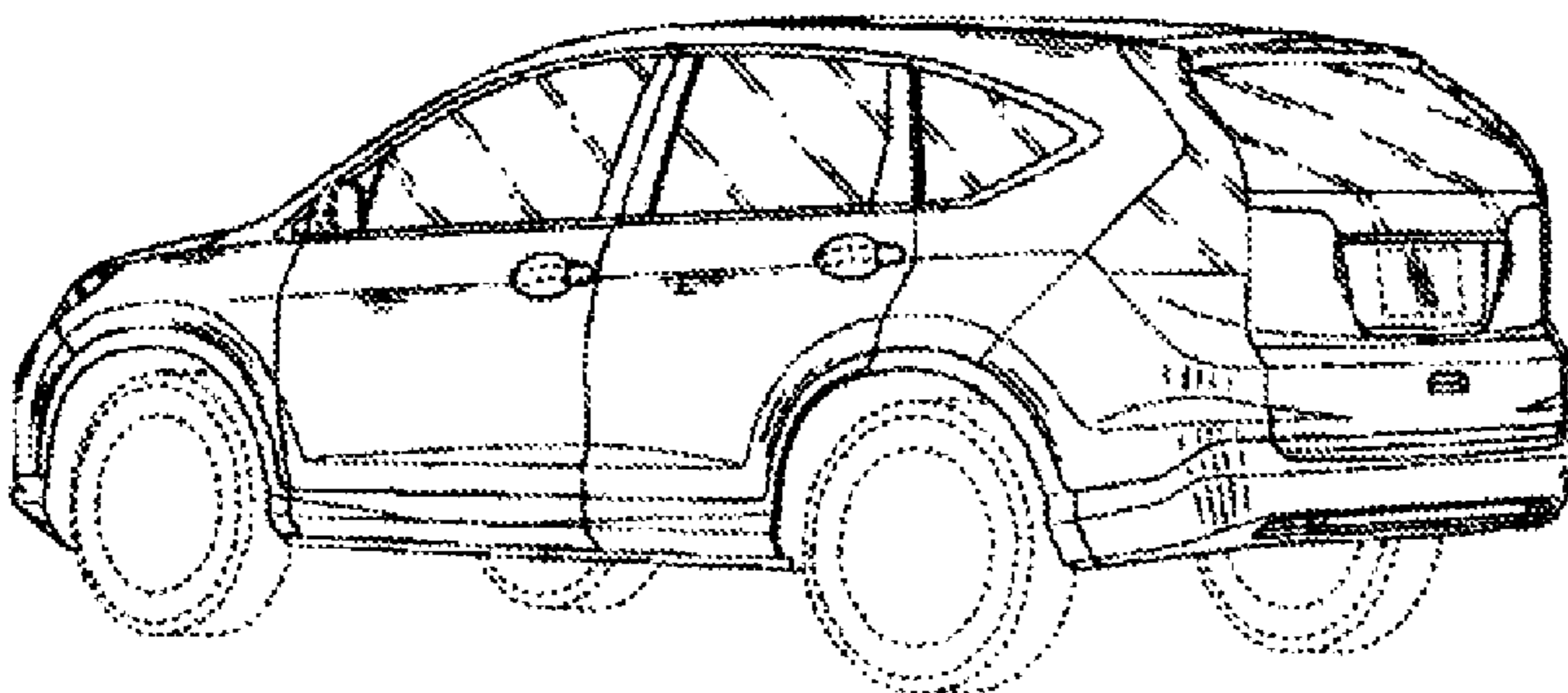
In the drawings, Figure 2;
Change

FIG. 2



To be

FIG. 2



In the drawing, Figure 3 and Figure 4;
Change

FIG. 3

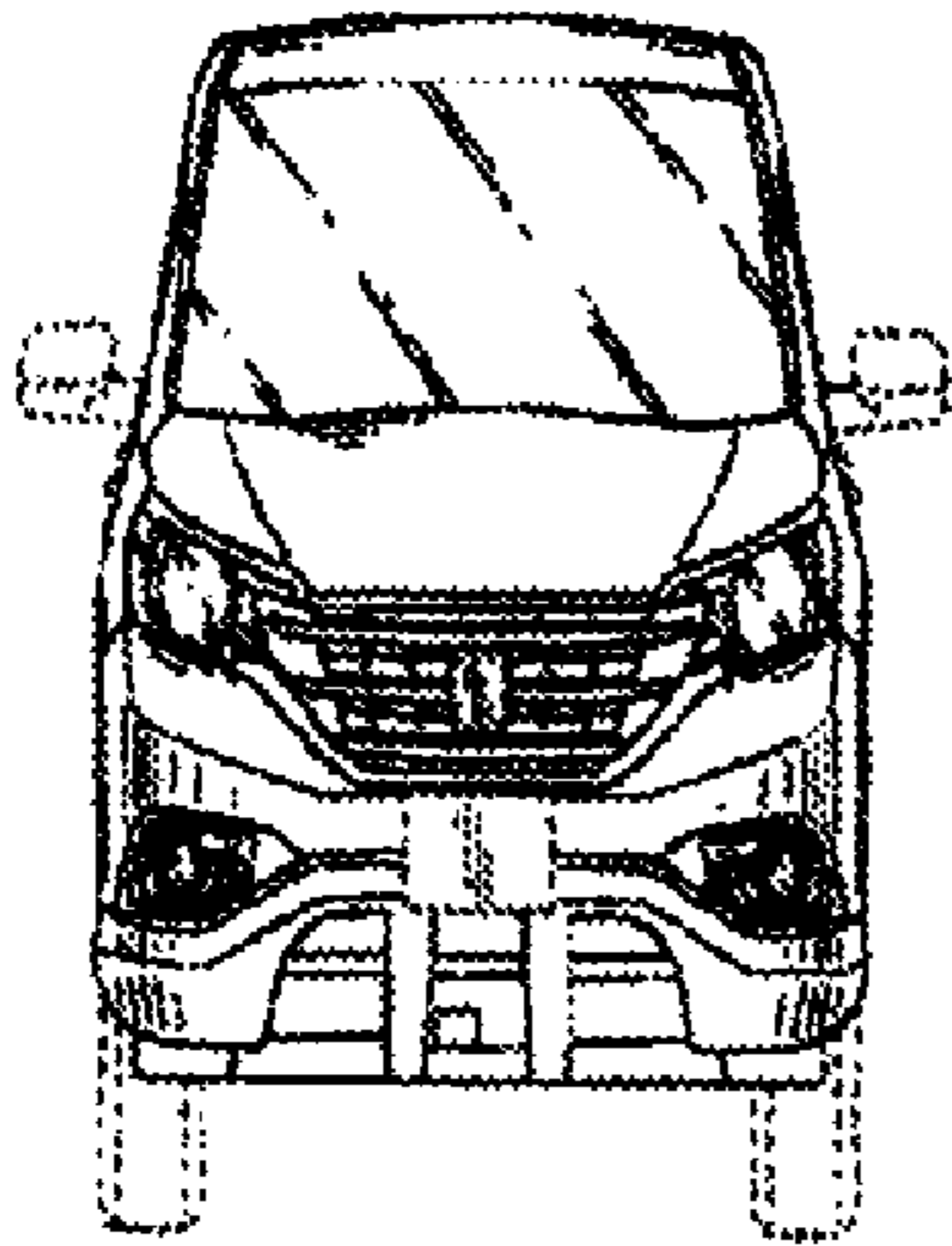
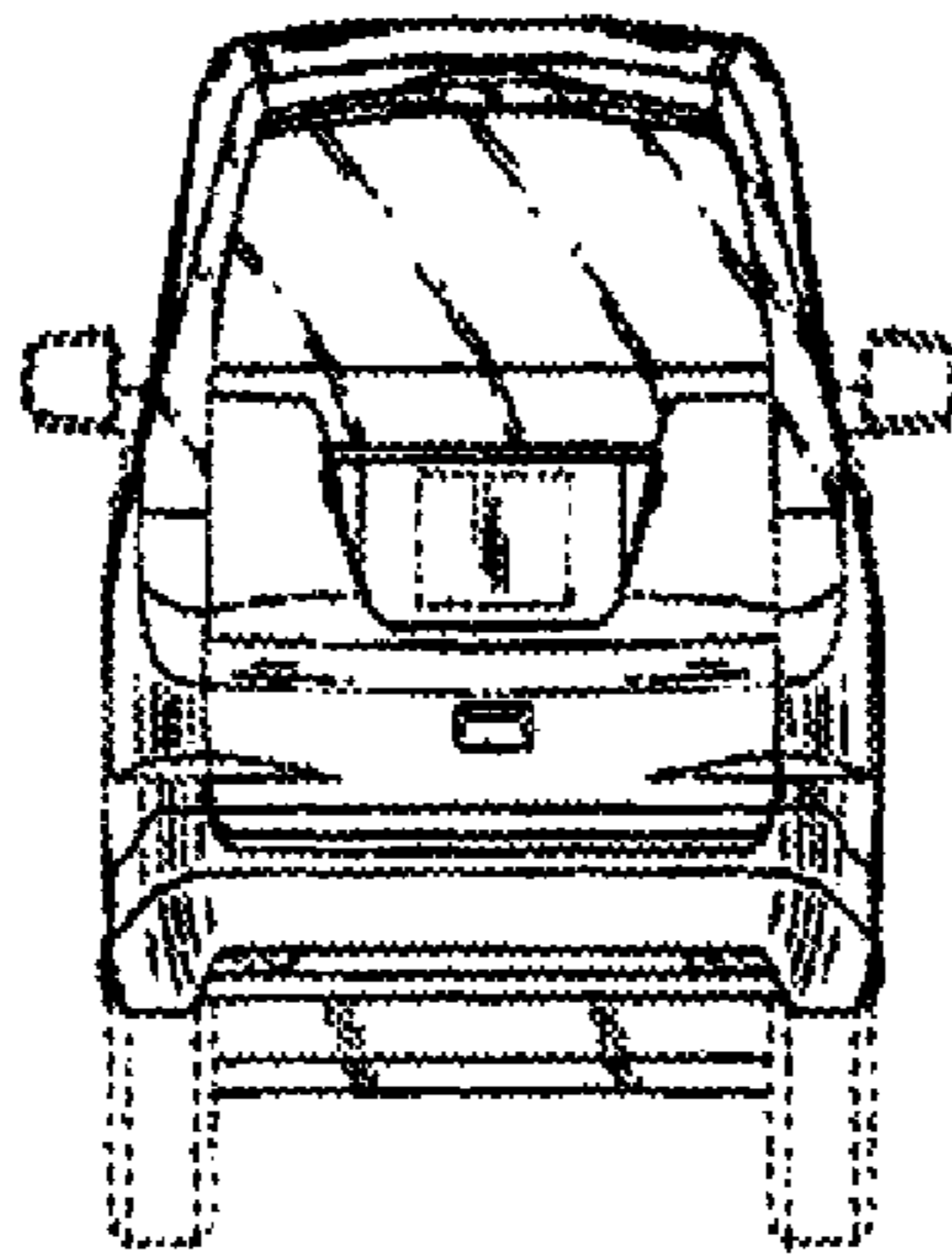


FIG. 4



To be

FIG. 3

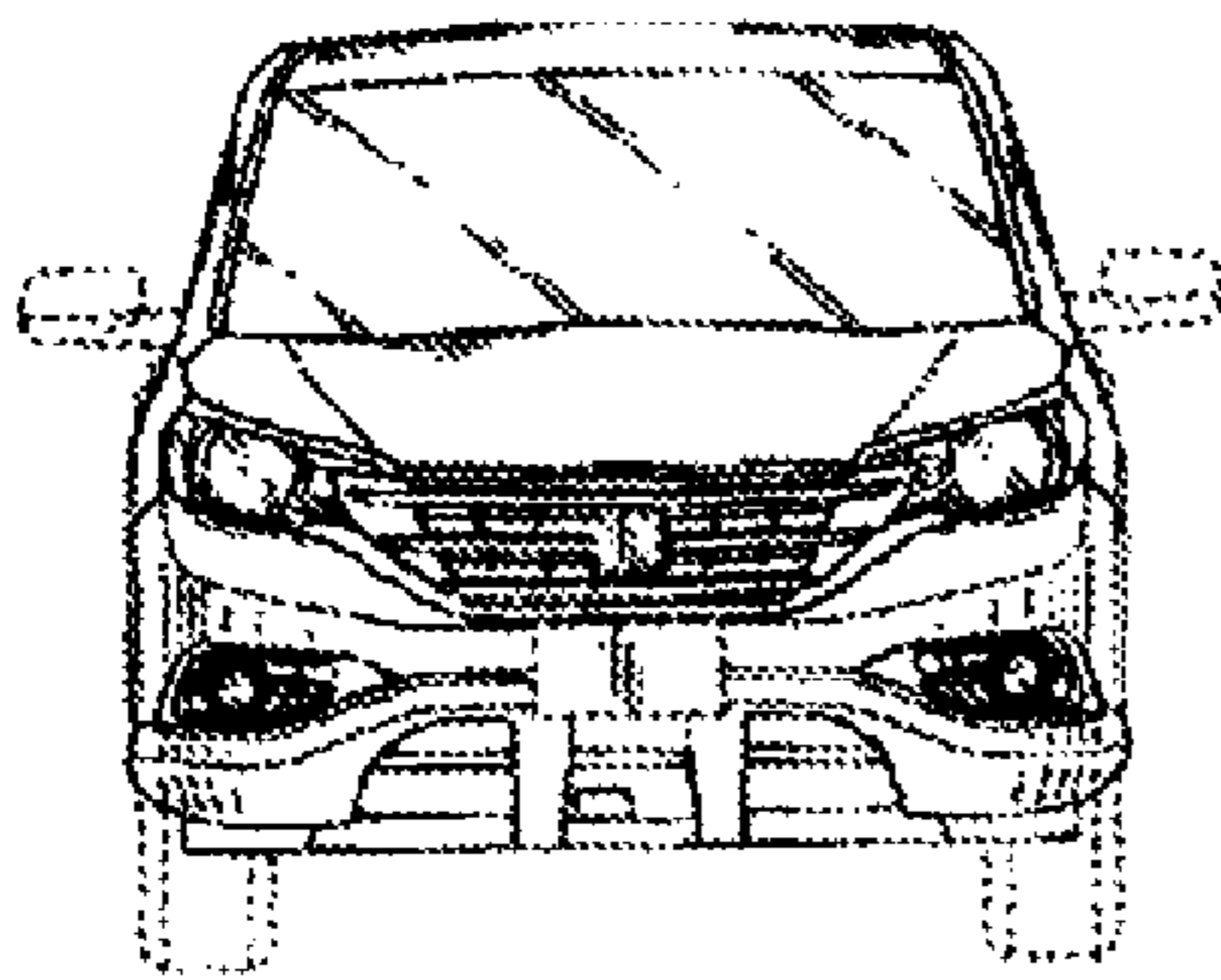
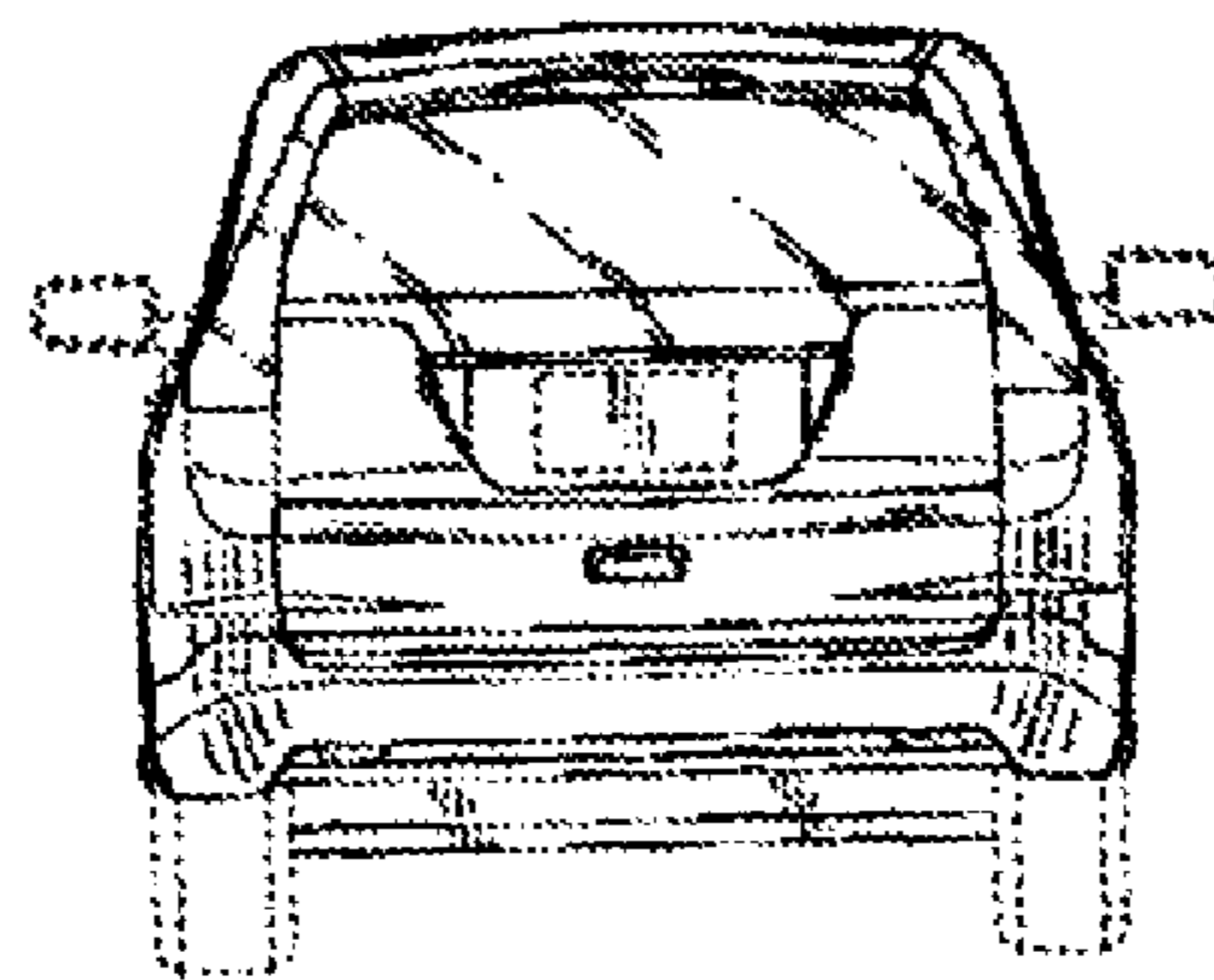
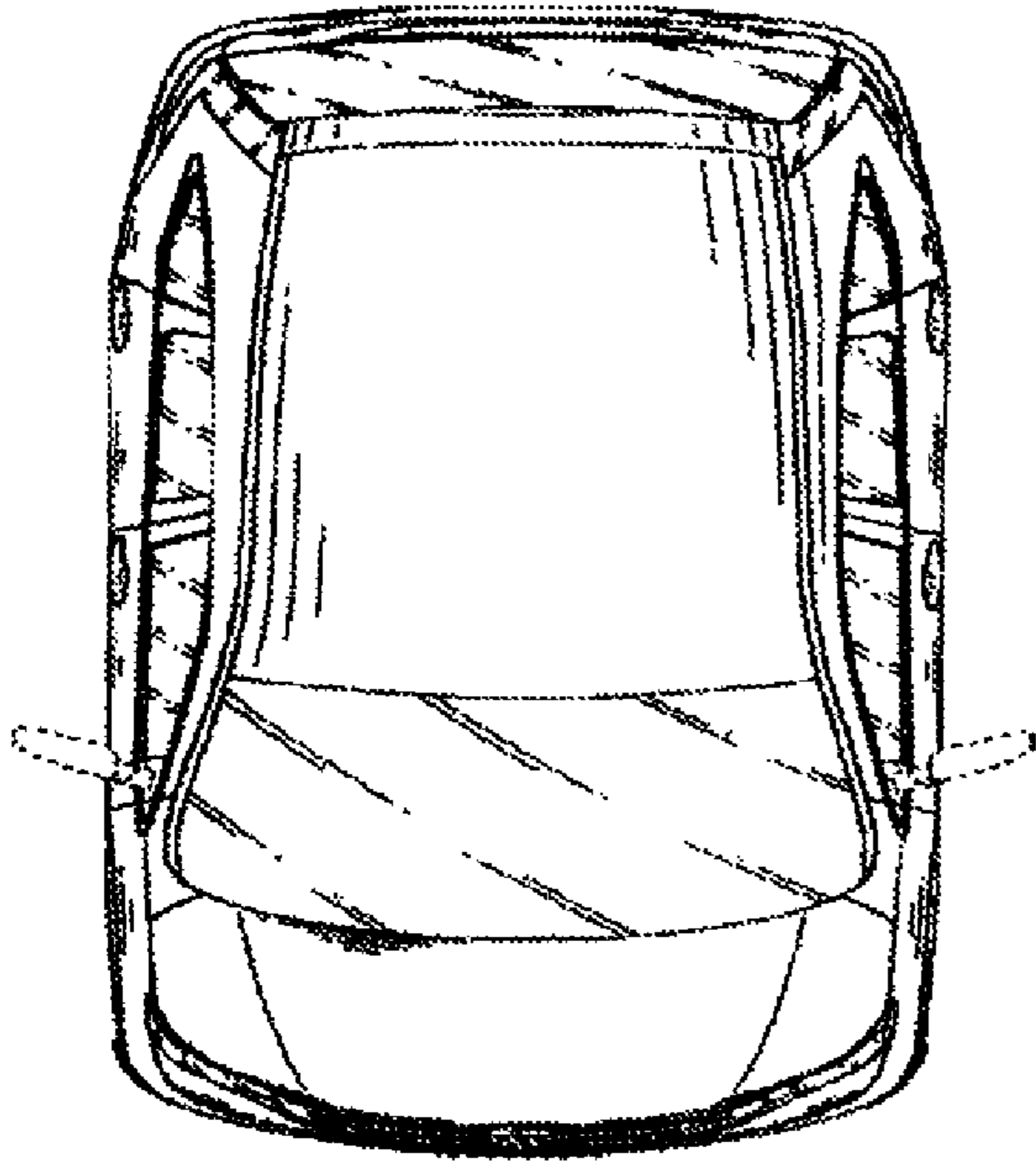


FIG. 4



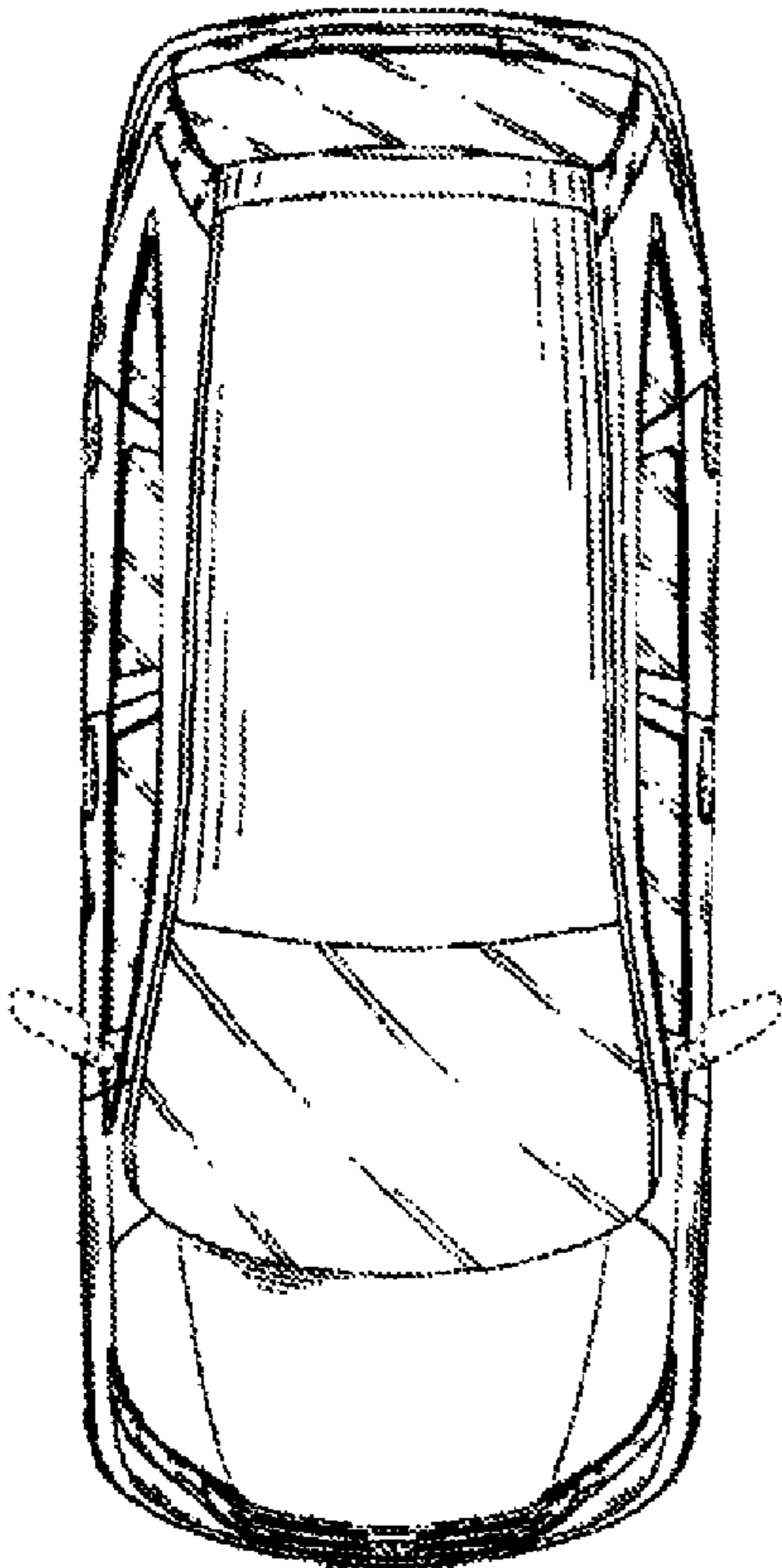
In the drawings, Figure 5;
Change

FIG. 5



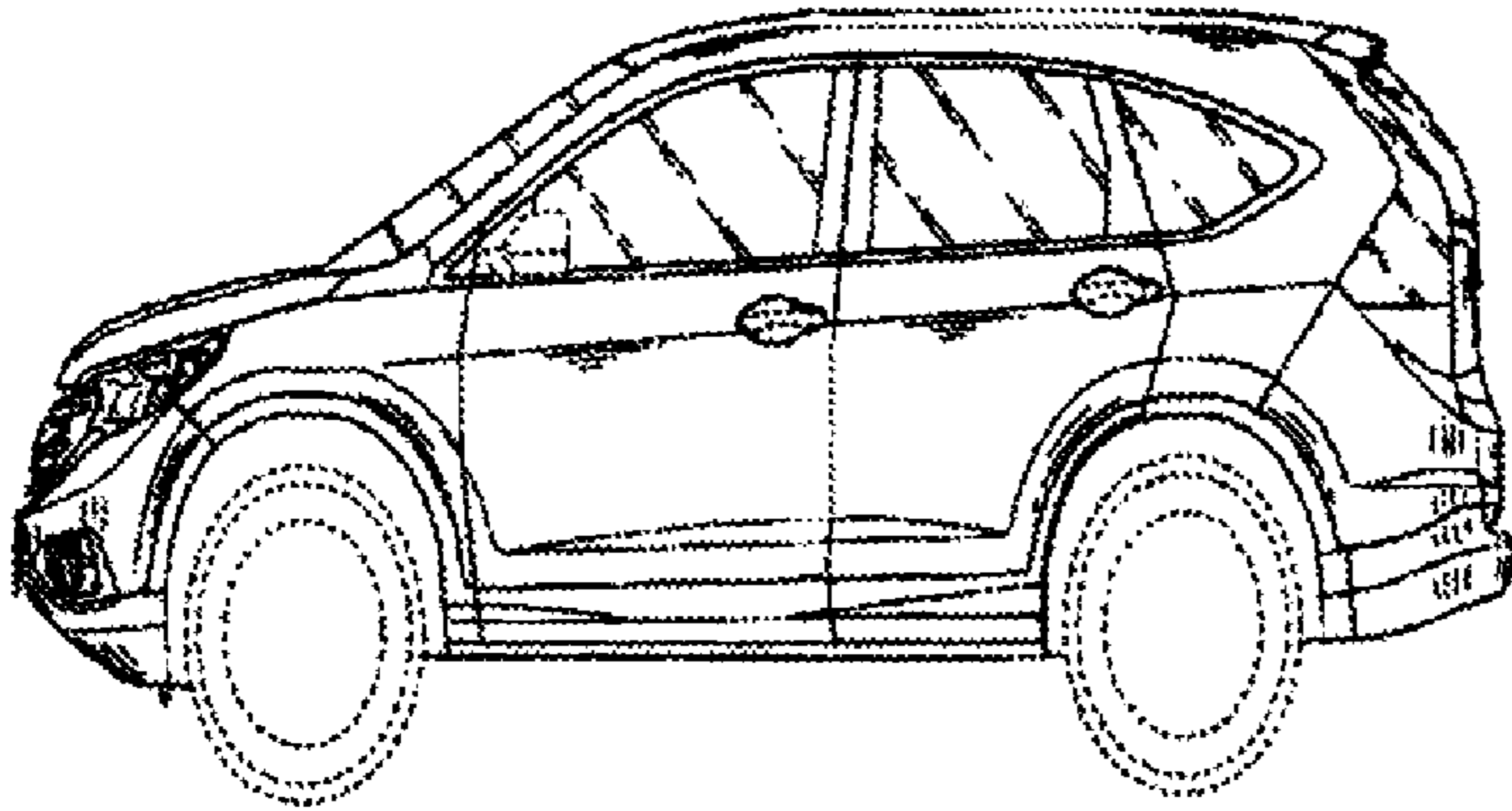
To be

FIG. 5



In the drawings, Figure 6;
Change

FIG. 6



To be

FIG. 6

