

US00D666941S

(12) **United States Design Patent**
Willows et al.

(10) **Patent No.:** **US D666,941 S**
(45) **Date of Patent:** **** Sep. 11, 2012**

(54) **BUCKLE**

Primary Examiner — Ralf Seifert

(76) Inventors: **Keith Willows**, Seattle, WA (US);
Antonio Del Rosario, Bellevue, WA
(US); **June Angus**, Seattle, WA (US)

(**) Term: **14 Years**

(57) **CLAIM**

The ornamental design for a buckle, as shown and described.

(21) Appl. No.: **29/374,443**

(22) Filed: **Aug. 11, 2011**

DESCRIPTION

(51) **LOC (9) Cl.** **02-07**

(52) **U.S. Cl.** **D11/216**

(58) **Field of Classification Search** D11/1-2,
D11/200-201, 206-210, 214-218; 24/163 R,
24/169-171, 173, 177-179, 191, 194-195,
24/197, 200, 614-616, 625, 198

See application file for complete search history.

FIG. 1 is a front view of a buckle showing our new design;
FIG. 2 is a top view thereof;
FIG. 3 is a bottom view thereof;
FIG. 4 is a rear view thereof;
FIG. 5 is a left side view thereof;
FIG. 6 is a right side view thereof;
FIG. 7 is a front view thereof, showing how the buckle preferably can be installed with strapping;
FIG. 8 is a rear view thereof, showing how the buckle preferably can be installed with strapping;
FIG. 9 is a front perspective view thereof; and,
FIG. 10 is a rear perspective view thereof.
The broken lines showing a recessed area in FIGS. 4, 8 and 10 and strapping in FIGS. 7 and 8 is for illustrative purposes only and forms no part of the claimed design.

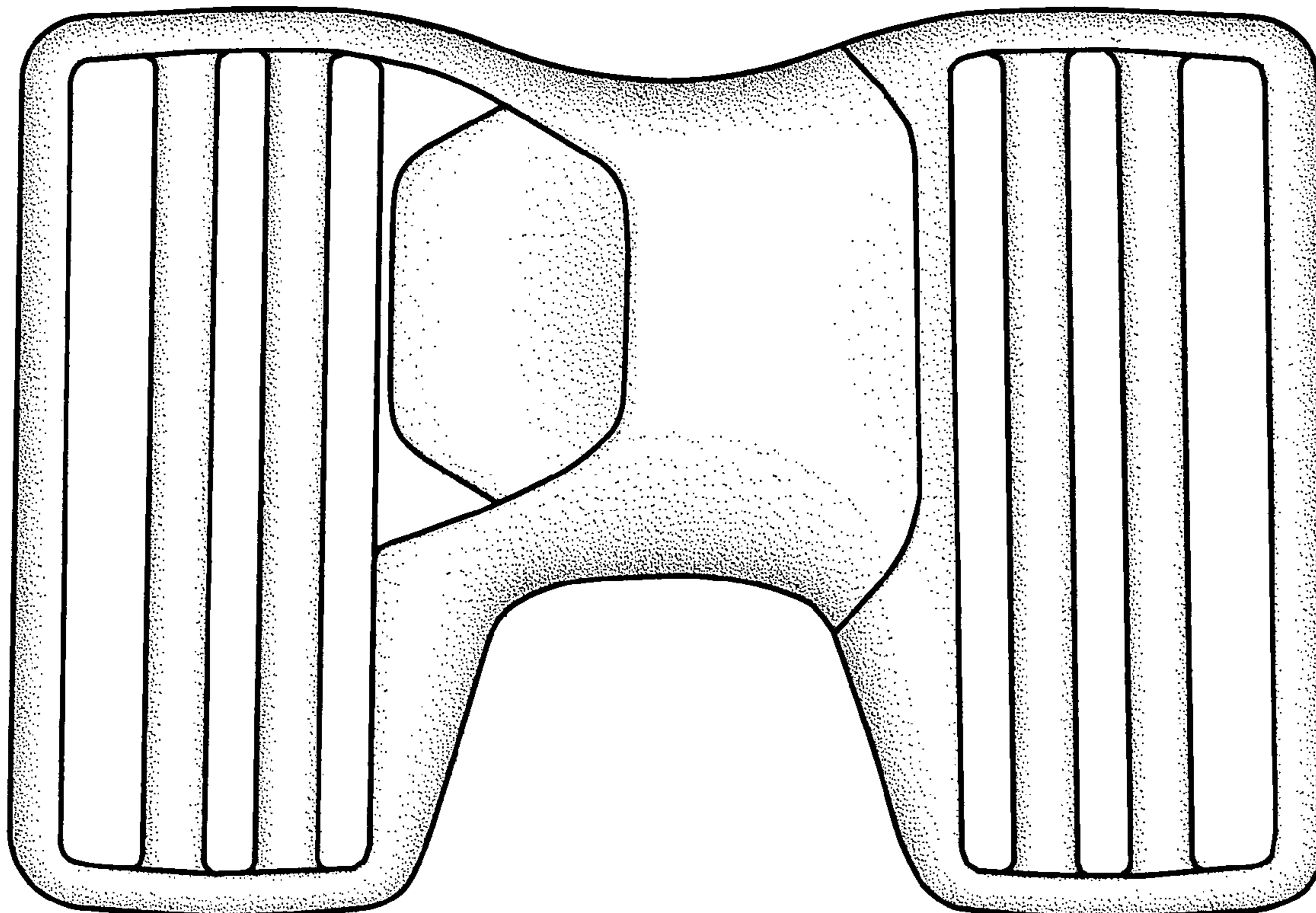
(56) **References Cited**

U.S. PATENT DOCUMENTS

D351,122 S *	10/1994	Janeke	D11/216
5,380,067 A *	1/1995	Turvill et al.	297/484
D380,067 S *	6/1997	Breneman	D32/1
D389,426 S *	1/1998	Merrick et al.	D11/216
5,873,635 A *	2/1999	Merrick	297/484
6,662,413 B2 *	12/2003	Glover	24/615
D562,729 S *	2/2008	Hitchcock et al.	D11/218

* cited by examiner

1 Claim, 5 Drawing Sheets



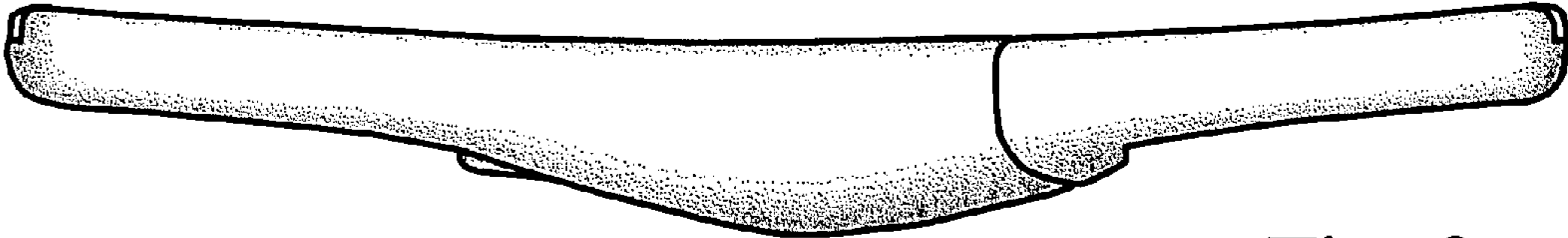


Fig. 2

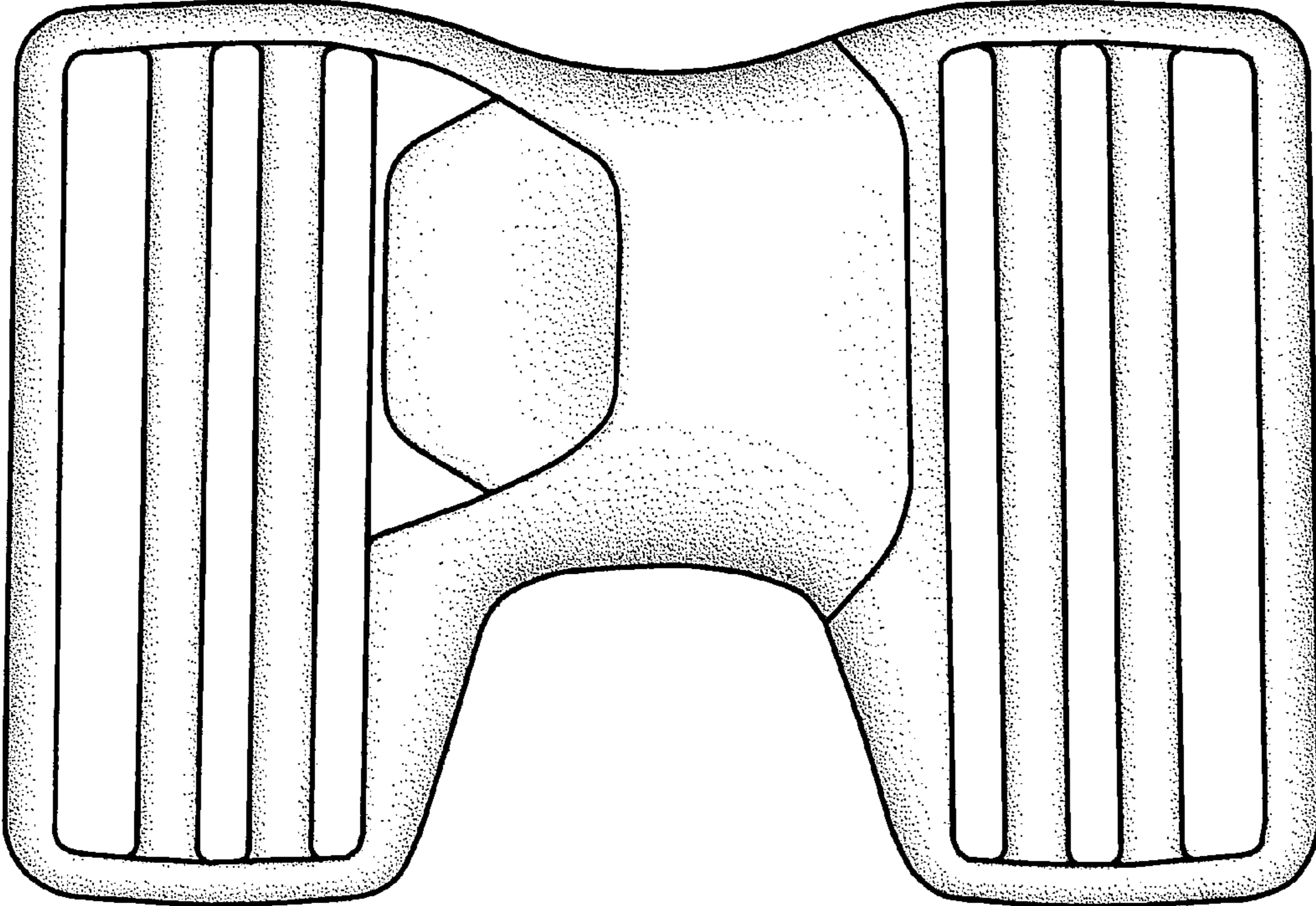


Fig. 1

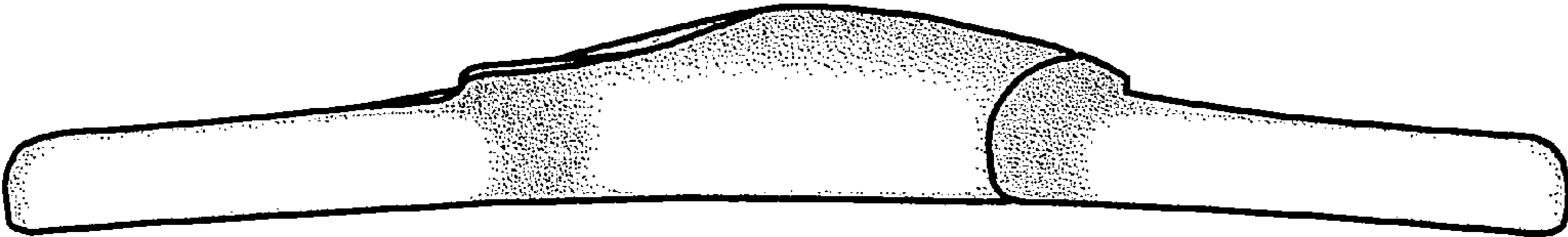


Fig. 3

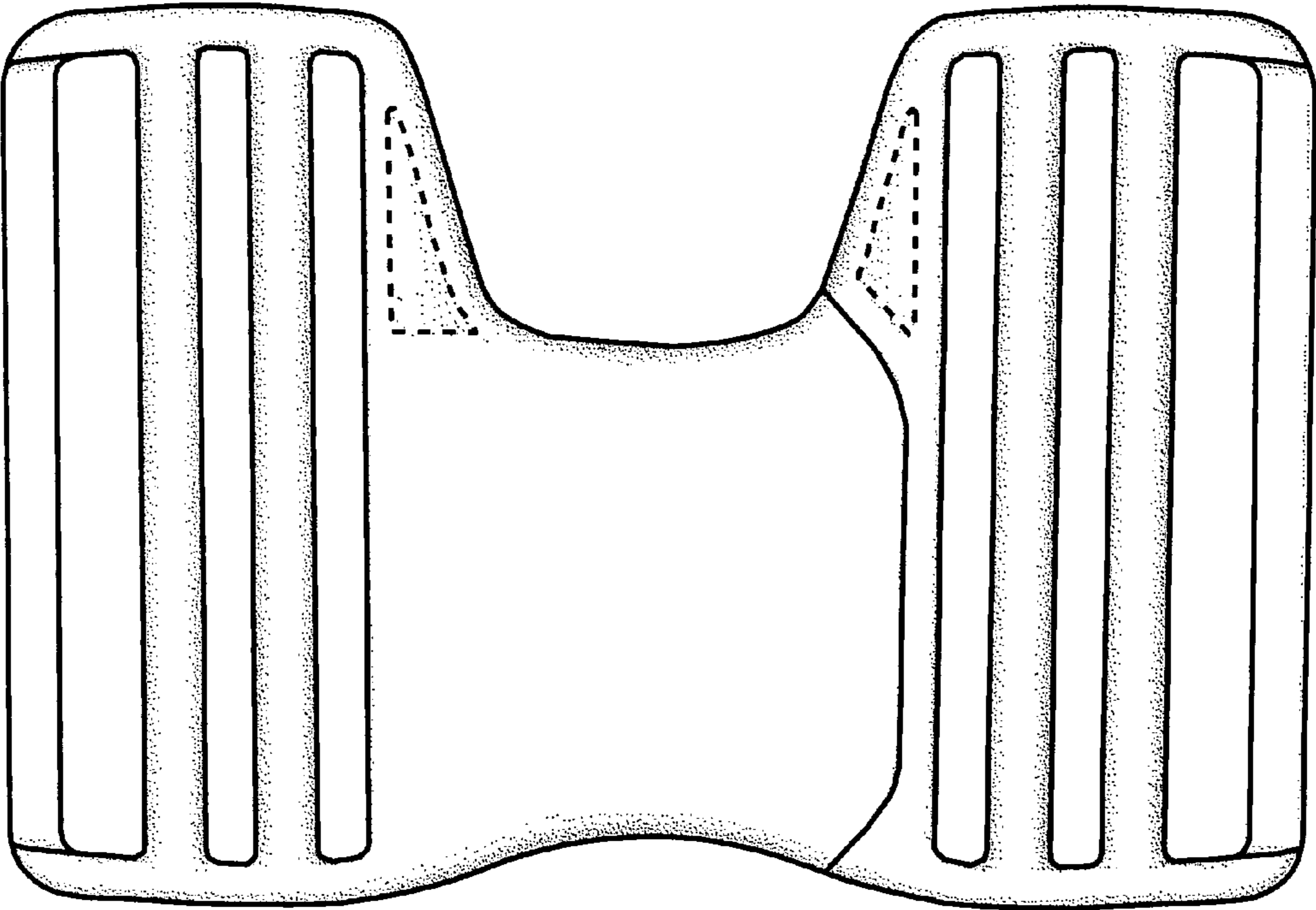


Fig. 4

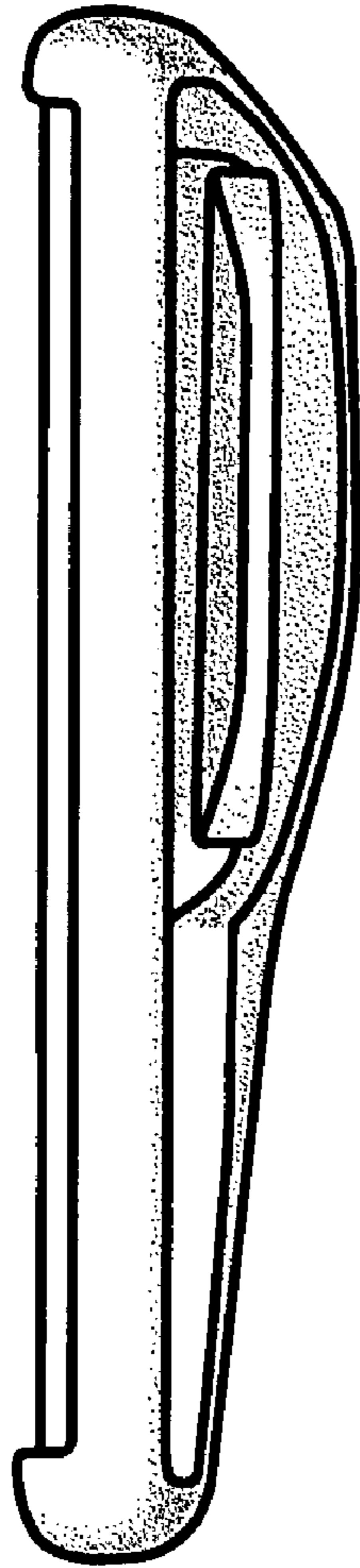


Fig. 5

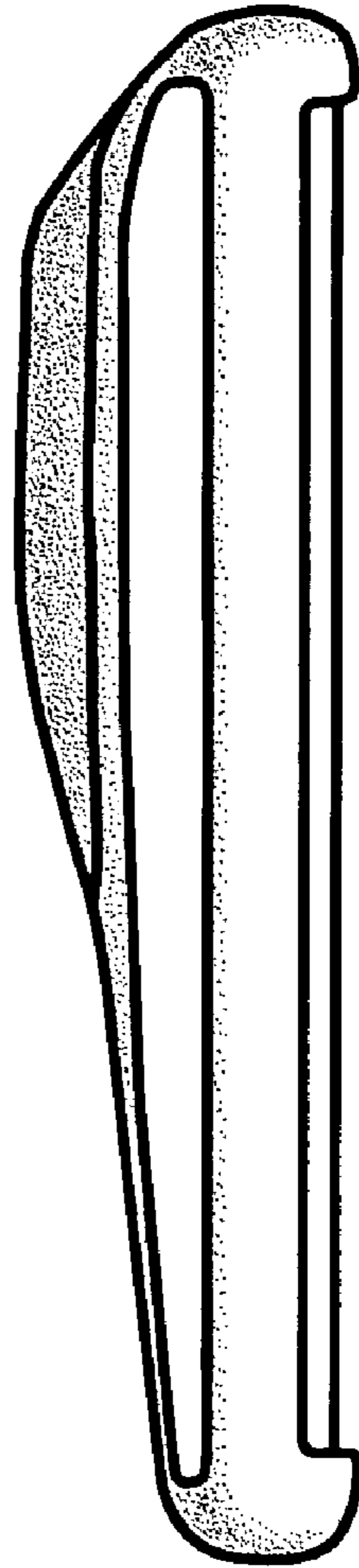


Fig. 6

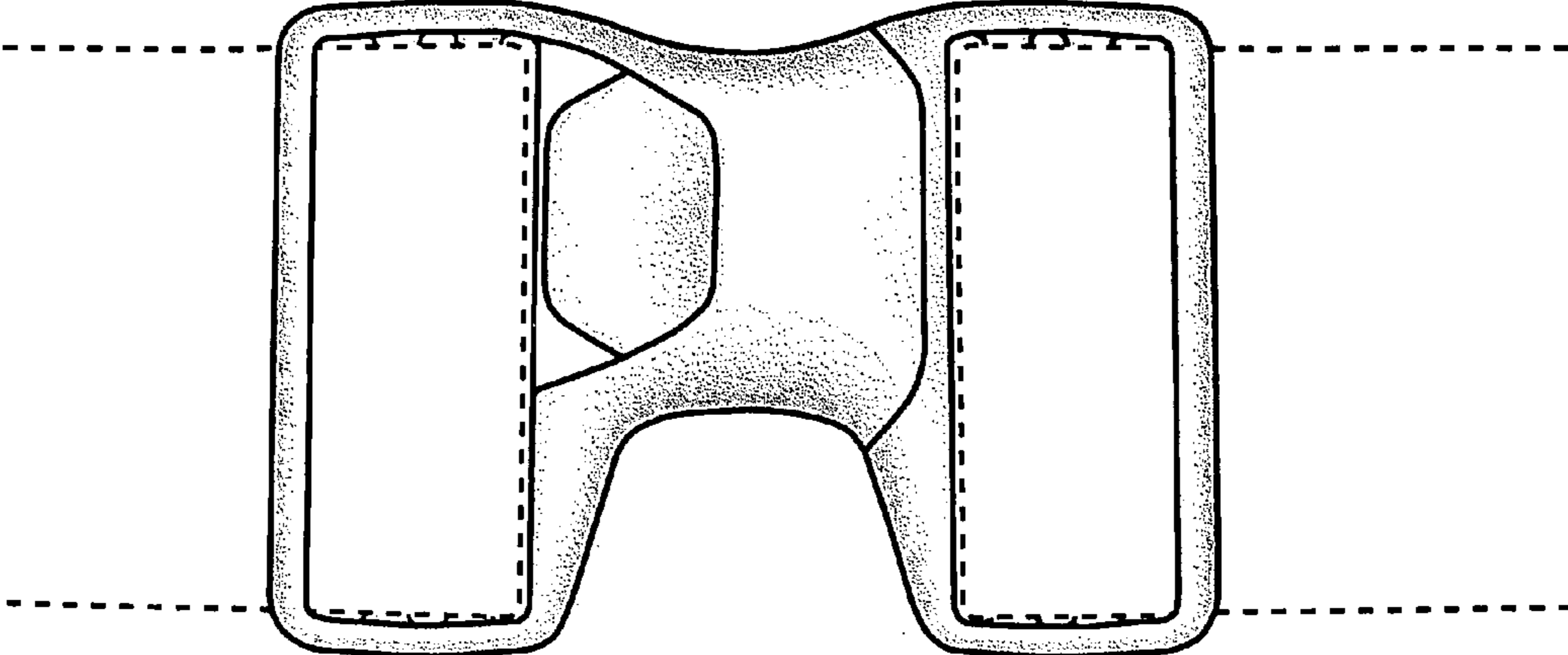


Fig. 7

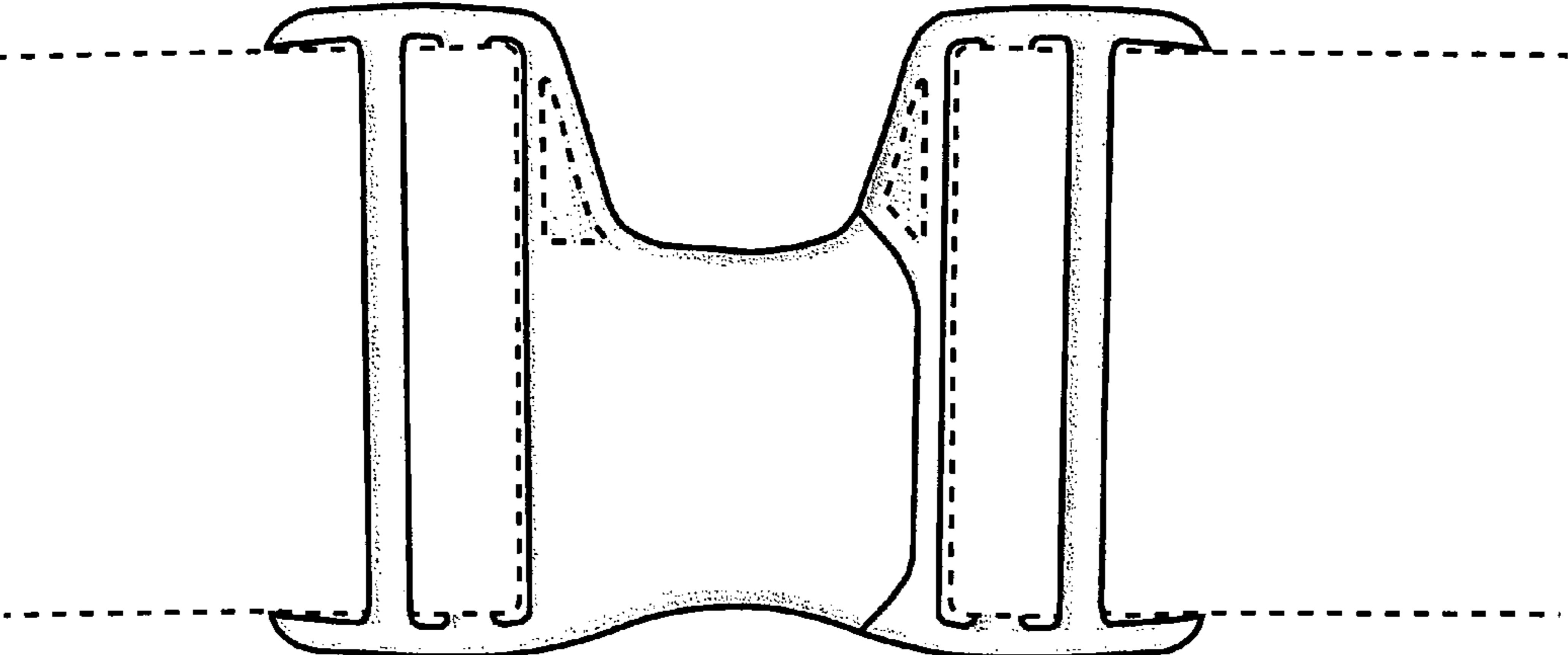


Fig. 8

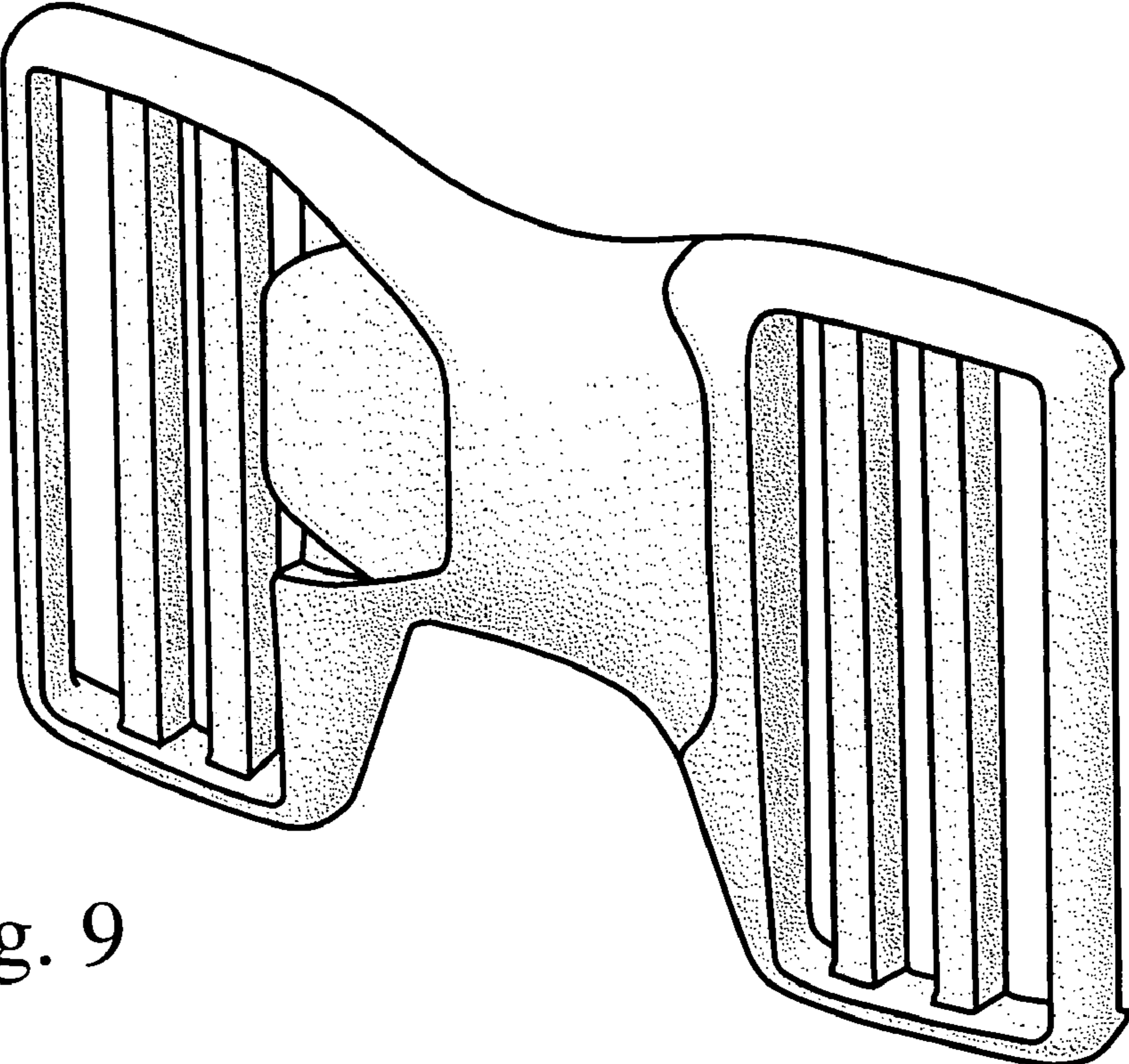


Fig. 9

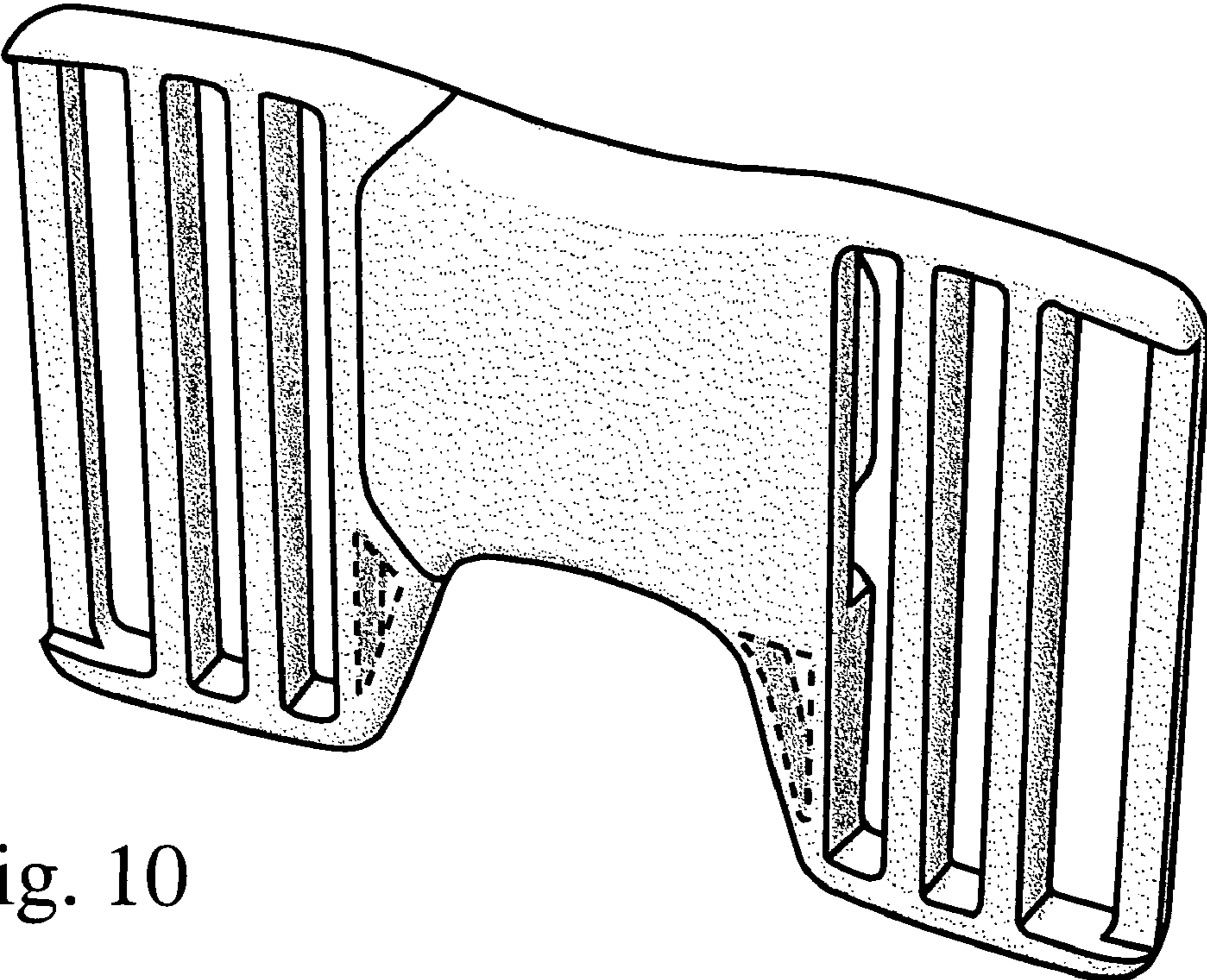


Fig. 10