

US00D666936S

(12) **United States Design Patent**
Lee et al.

(10) **Patent No.:** **US D666,936 S**
(45) **Date of Patent:** **** Sep. 11, 2012**

(54) **CRYSTAL ORNAMENT FOR TELEVISION**

D633,407 S * 3/2011 Lee et al. D11/89
D640,159 S * 6/2011 Millar D11/89
D652,396 S * 1/2012 Shimizu et al. D14/126

(75) Inventors: **Chul Lee**, Gyeonggi-do (KR); **Myung Whoon Lee**, Seoul (KR); **Jong Chul Kim**, Seoul (KR)

* cited by examiner

(73) Assignee: **LG Electronics Inc.**, Seoul (KR)

Primary Examiner — Ralf Seifert

(**) Term: **14 Years**

(74) *Attorney, Agent, or Firm* — Morgan, Lewis & Bockius LLP

(21) Appl. No.: **29/378,285**

(57) **CLAIM**

(22) Filed: **Nov. 2, 2010**

The ornamental design for a crystal ornament for television, as shown and described.

(30) **Foreign Application Priority Data**

DESCRIPTION

May 3, 2010 (KR) 30-2010-0019693

(51) **LOC (9) Cl.** **11-01**

(52) **U.S. Cl.** **D11/89**

(58) **Field of Classification Search** D11/1-2,
D11/26-29, 89-92; 63/26-28, 32; D14/126
See application file for complete search history.

FIG. 1 is a top, front, perspective view of a crystal ornament for television showing our new design;
FIG. 2 is a front view thereof;
FIG. 3 is a rear view thereof;
FIG. 4 is a left side view thereof;
FIG. 5 is a right side view thereof;
FIG. 6 is a top view thereof;
FIG. 7 is a bottom view thereof; and,
FIG. 8 is a reference view thereof. The broken lines shown in FIG. 8 are for illustrative purposes only and form no part of the claimed design.

(56) **References Cited**

U.S. PATENT DOCUMENTS

D567,140 S * 4/2008 Rydlewicz D11/90
D628,172 S * 11/2010 Chien D14/126

1 Claim, 4 Drawing Sheets

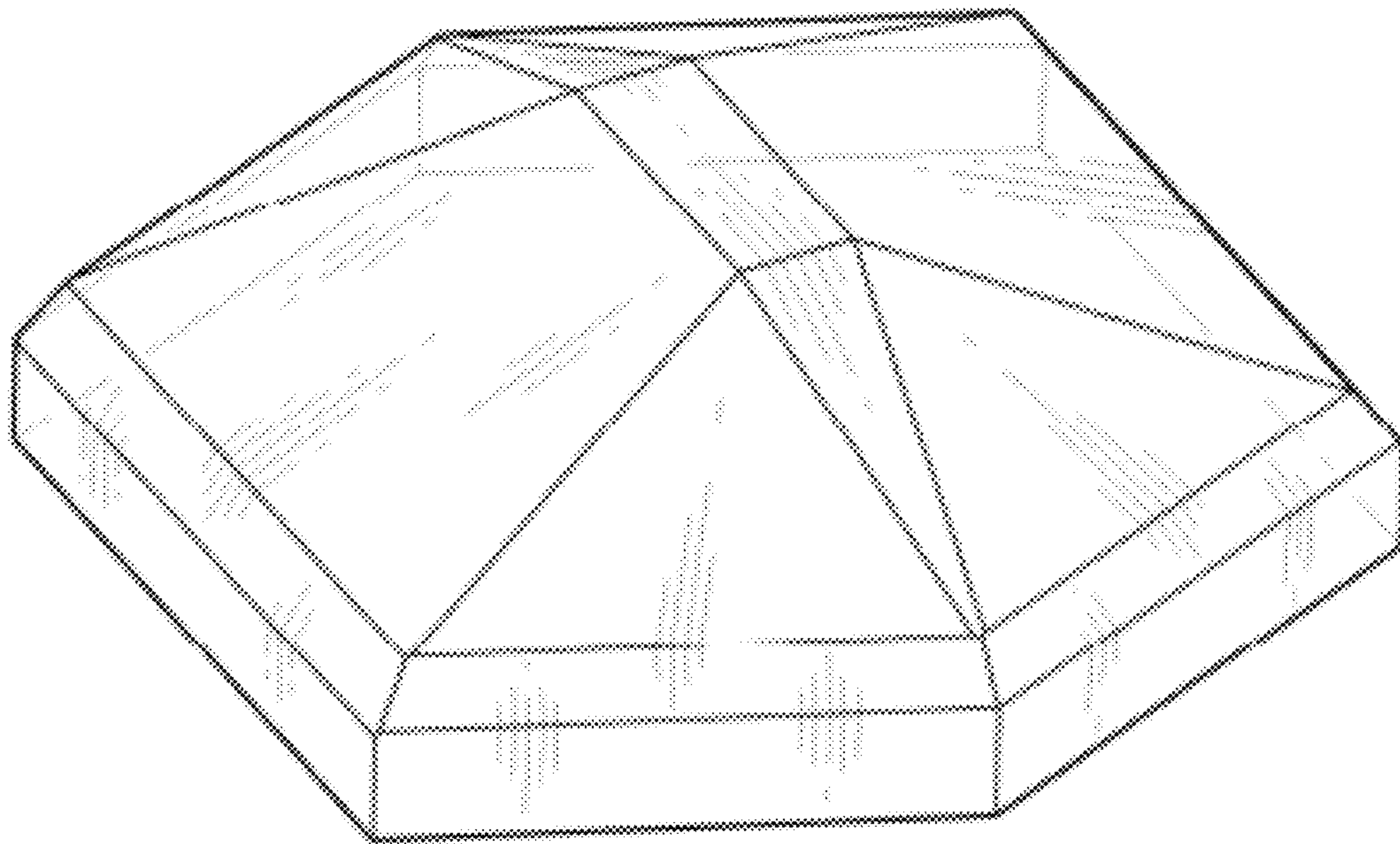


FIG. 1

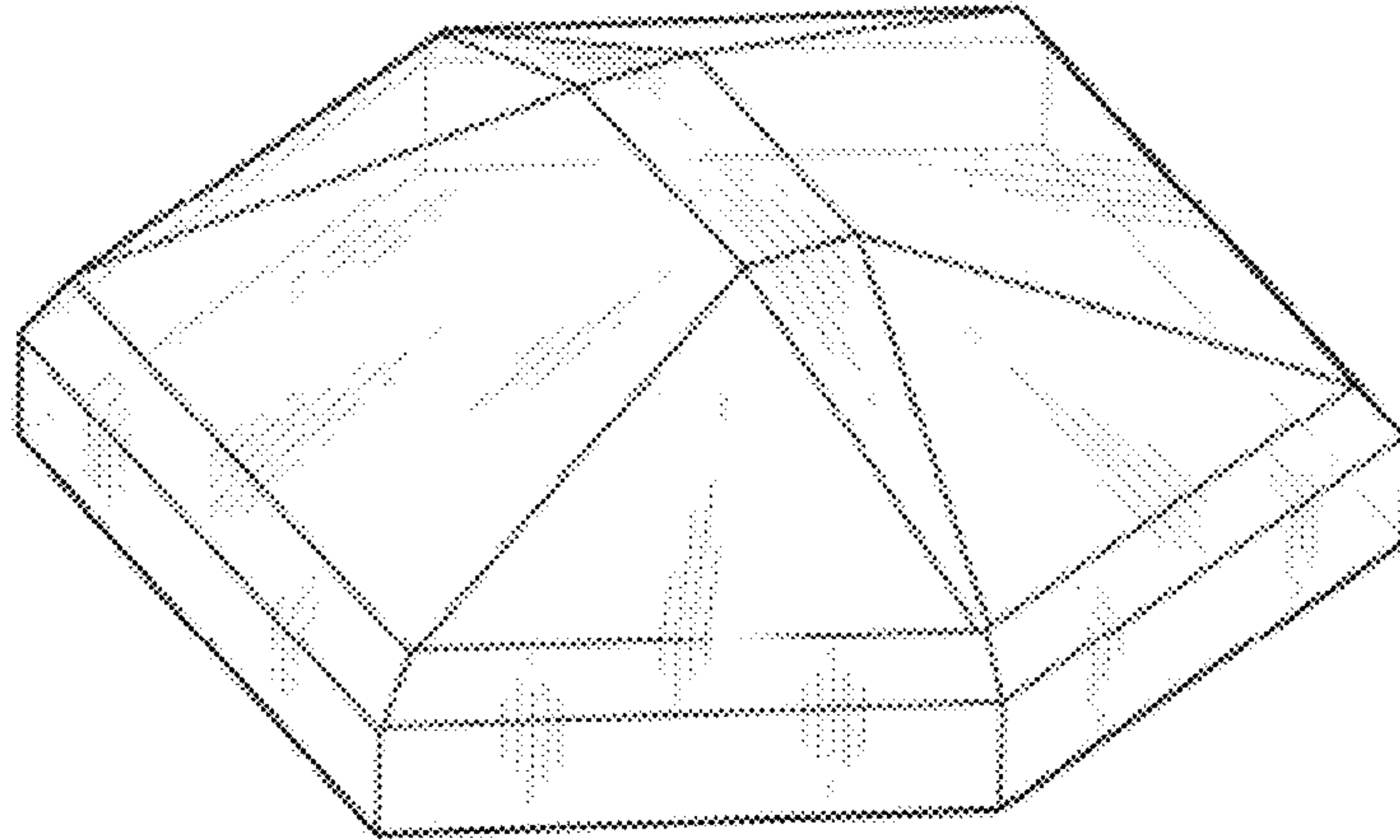


FIG. 2

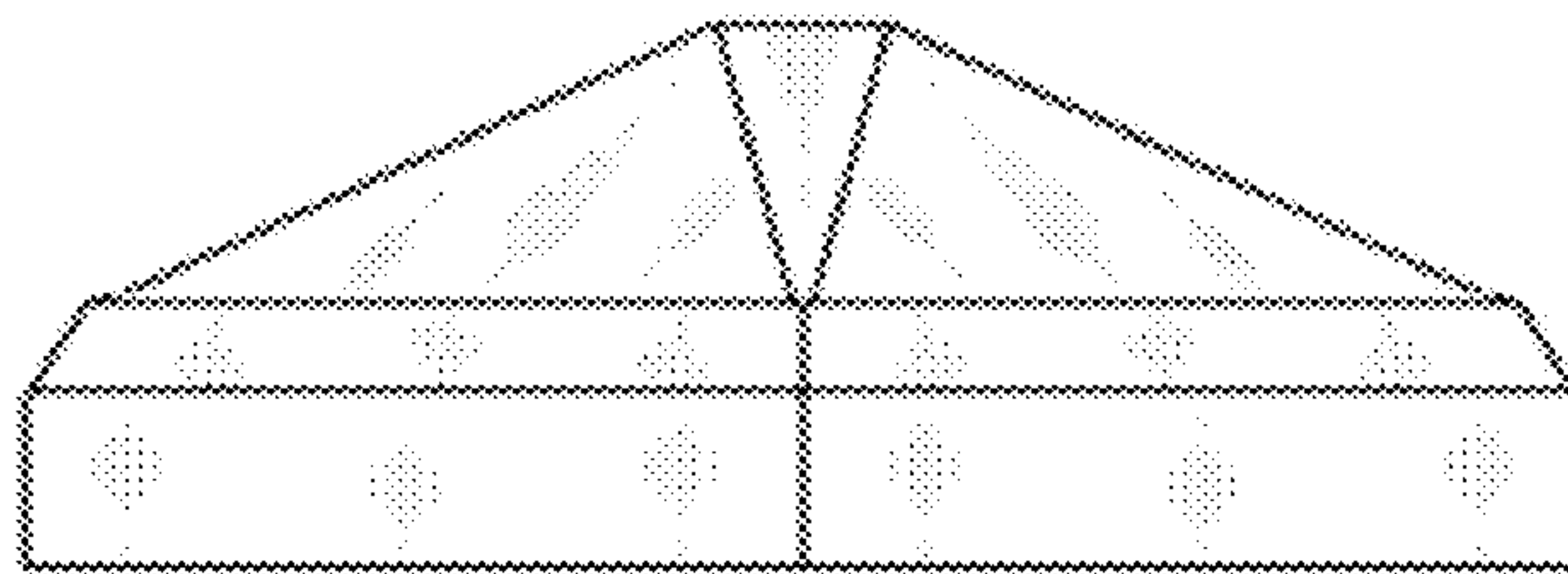


FIG. 3

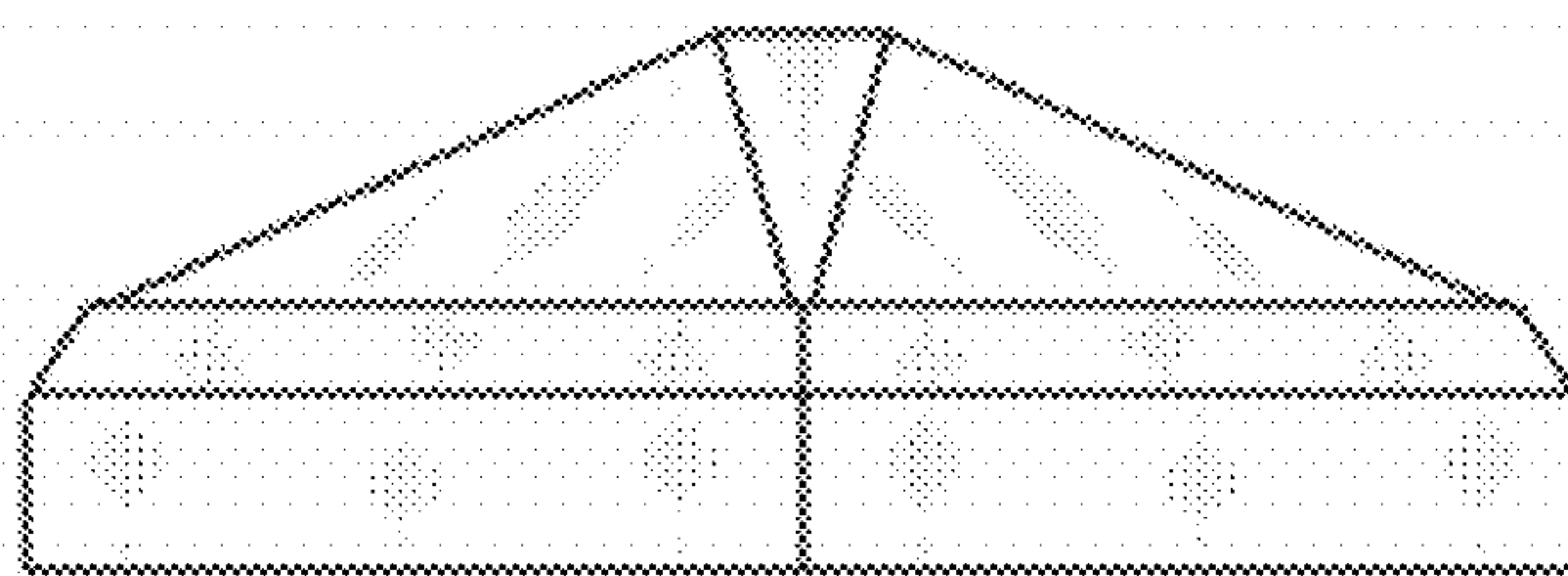


FIG. 4

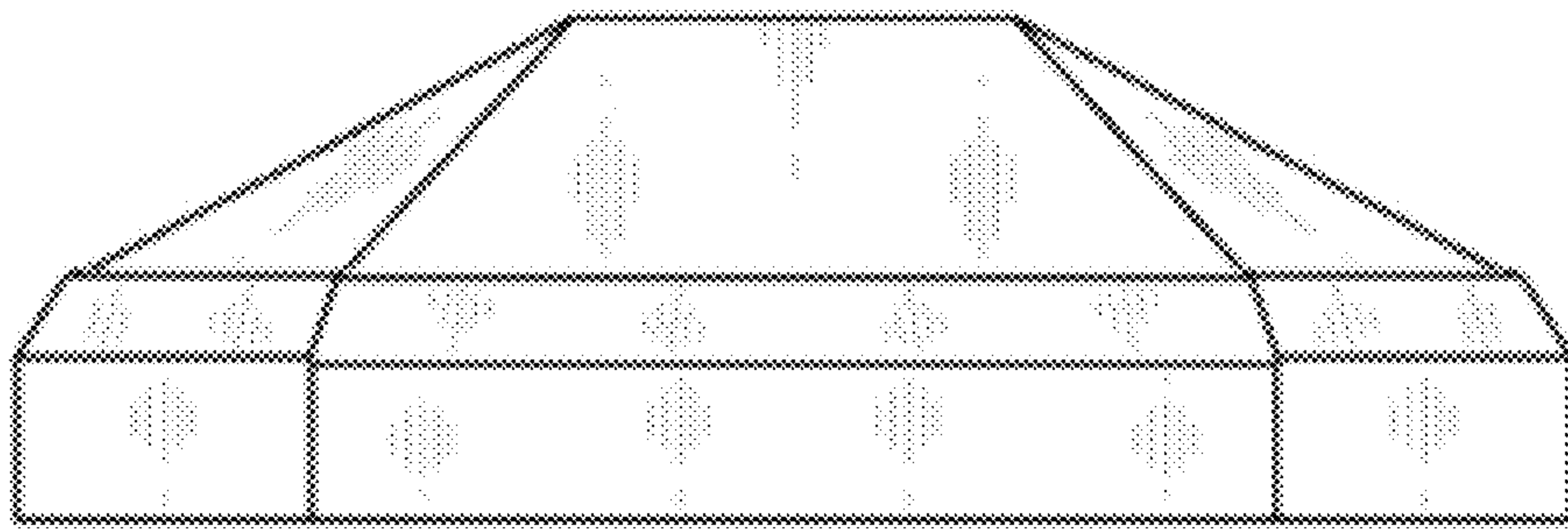


FIG. 5

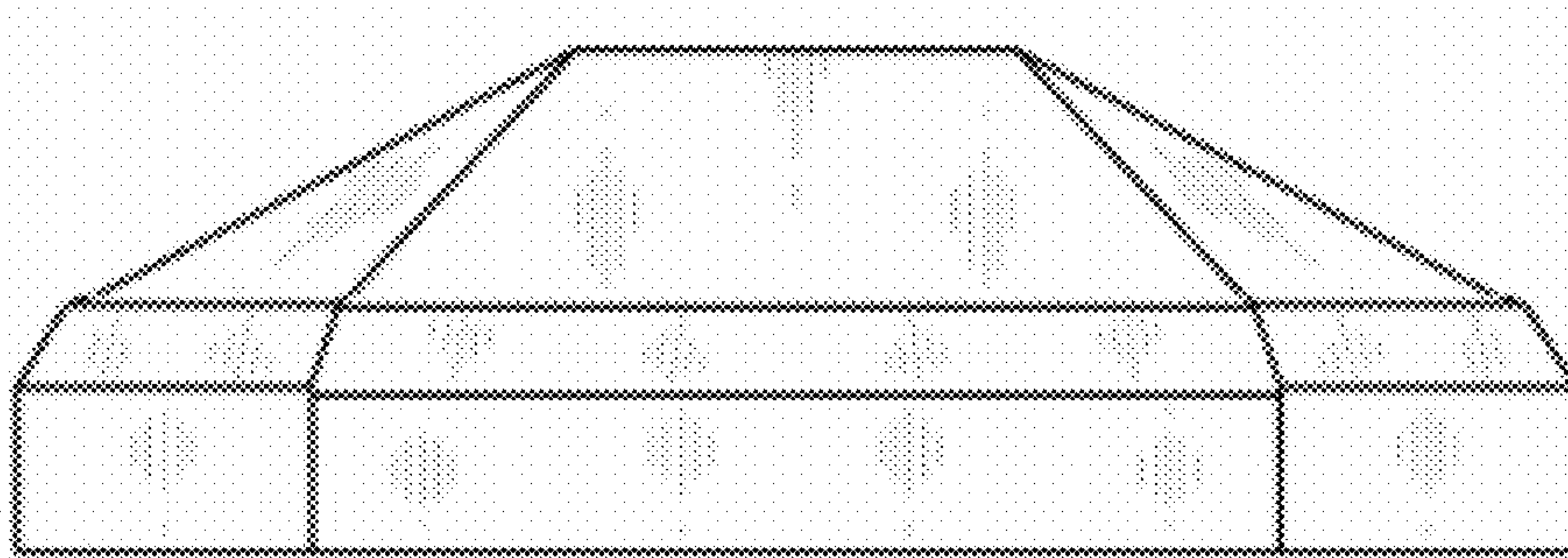


FIG. 6

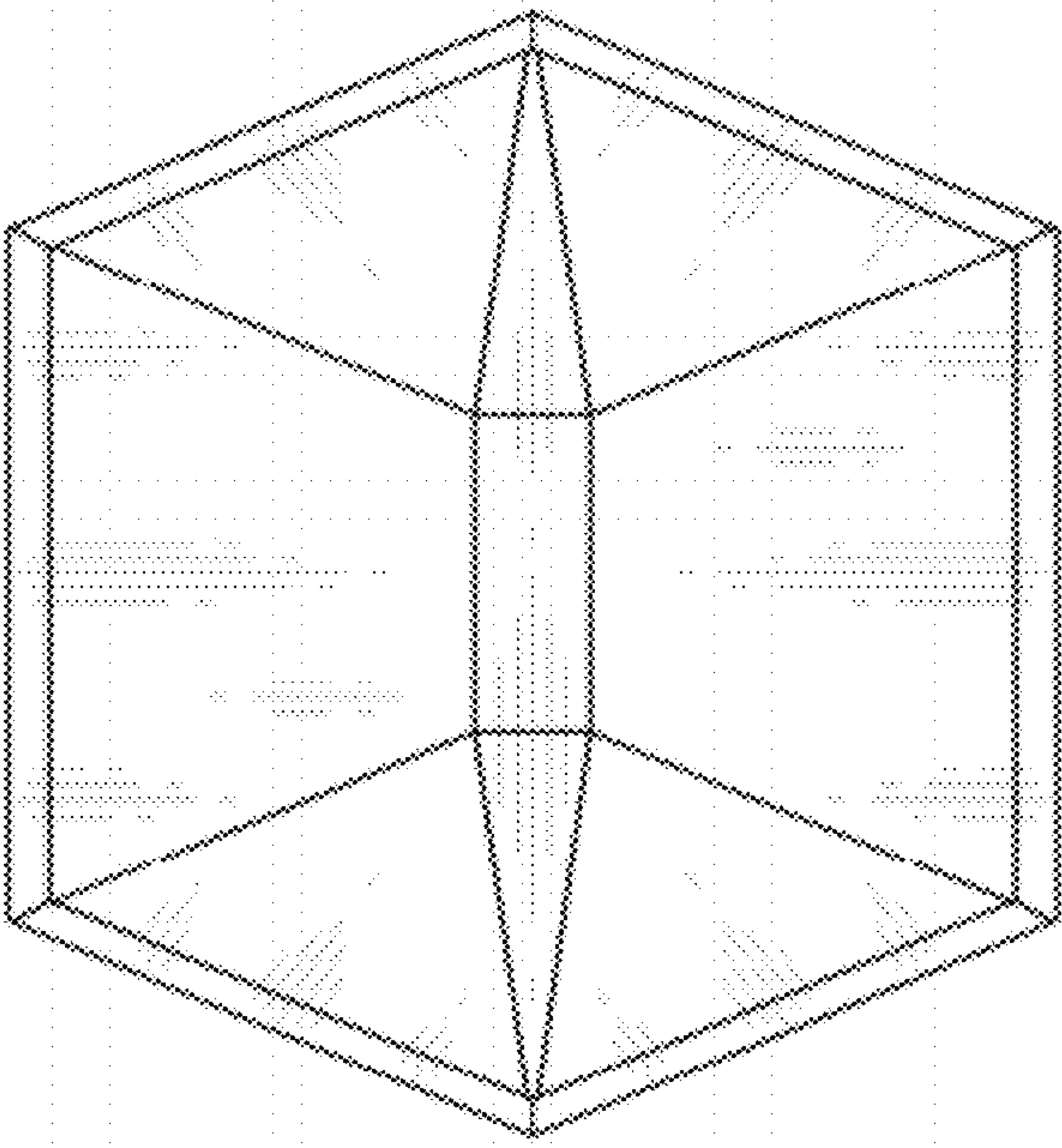


FIG. 7

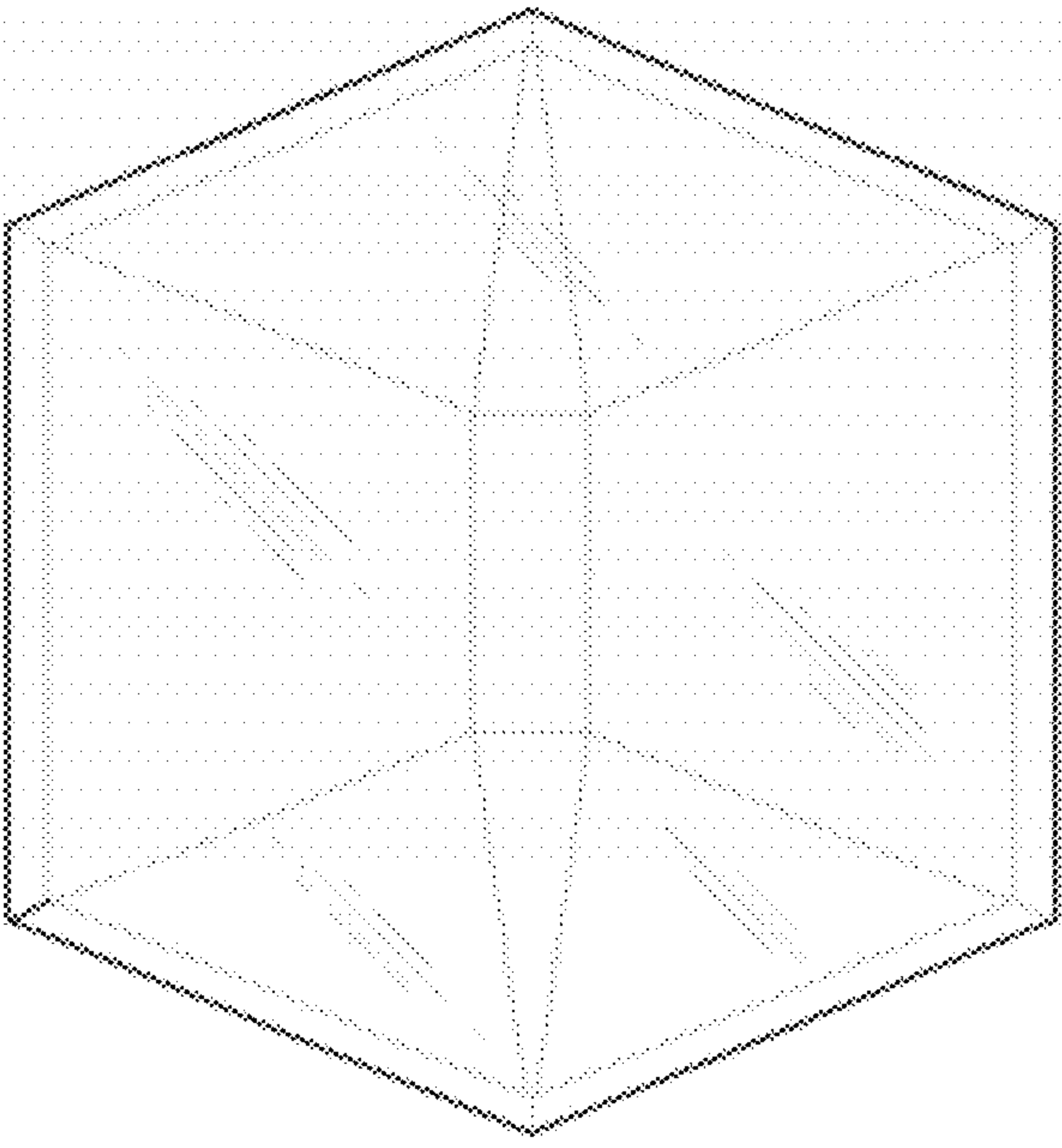


FIG. 8

