

US00D666935S

(12) **United States Design Patent**
Hernandez et al.

(10) **Patent No.:** **US D666,935 S**
(45) **Date of Patent:** **** Sep. 11, 2012**

(54) **WRISTBAND WITH HORSESHOE-SHAPED ORNAMENT**

(76) Inventors: **Alberto Hernandez**, Naples, FL (US);
Renata Hernandez, Naples, FL (US)

(**) Term: **14 Years**

(21) Appl. No.: **29/414,382**

(22) Filed: **Feb. 28, 2012**

(51) **LOC (9) Cl.** **11-01**

(52) **U.S. Cl.** **D11/3**

(58) **Field of Classification Search** D11/1-39;
63/3, 3.1, 3.2, 5, 15.1-15.4, 15.45, 15.5,
63/15.6, 15.65, 15.7, 26-28; D10/30, 31,
D10/32

See application file for complete search history.

(56) **References Cited**

U.S. PATENT DOCUMENTS

D37,294 S *	1/1905	Rosenbaum	D11/27
D120,355 S *	5/1940	Portnoy	D11/31
D133,923 S *	9/1942	Rubin	D11/30
D164,356 S *	8/1951	De Flece	D11/83
D234,869 S *	4/1975	Poulin	D11/30
D236,530 S *	8/1975	Poulin	D11/30
D251,415 S *	3/1979	Rosen	D11/30
D372,680 S *	8/1996	Salva et al.	D11/4
D442,508 S *	5/2001	Torres	D11/4

OTHER PUBLICATIONS

<http://www.glamforless.com/Horseshoe-rings1.jpg>.*

<http://eimerdesign.com/Enlarge/B-113-M.jpg>.*

* cited by examiner

Primary Examiner — Cathron Brooks

Assistant Examiner — Melanie Pellegrini

(57) **CLAIM**

The ornamental design for a wristband with horseshoe-shaped ornament, as shown and described.

DESCRIPTION

FIG. 1 is a perspective view of a wristband with horseshoe-shaped ornament;

FIG. 2 is a front view thereof;

FIG. 3 is a back side view thereof;

FIG. 4 is a top side view thereof;

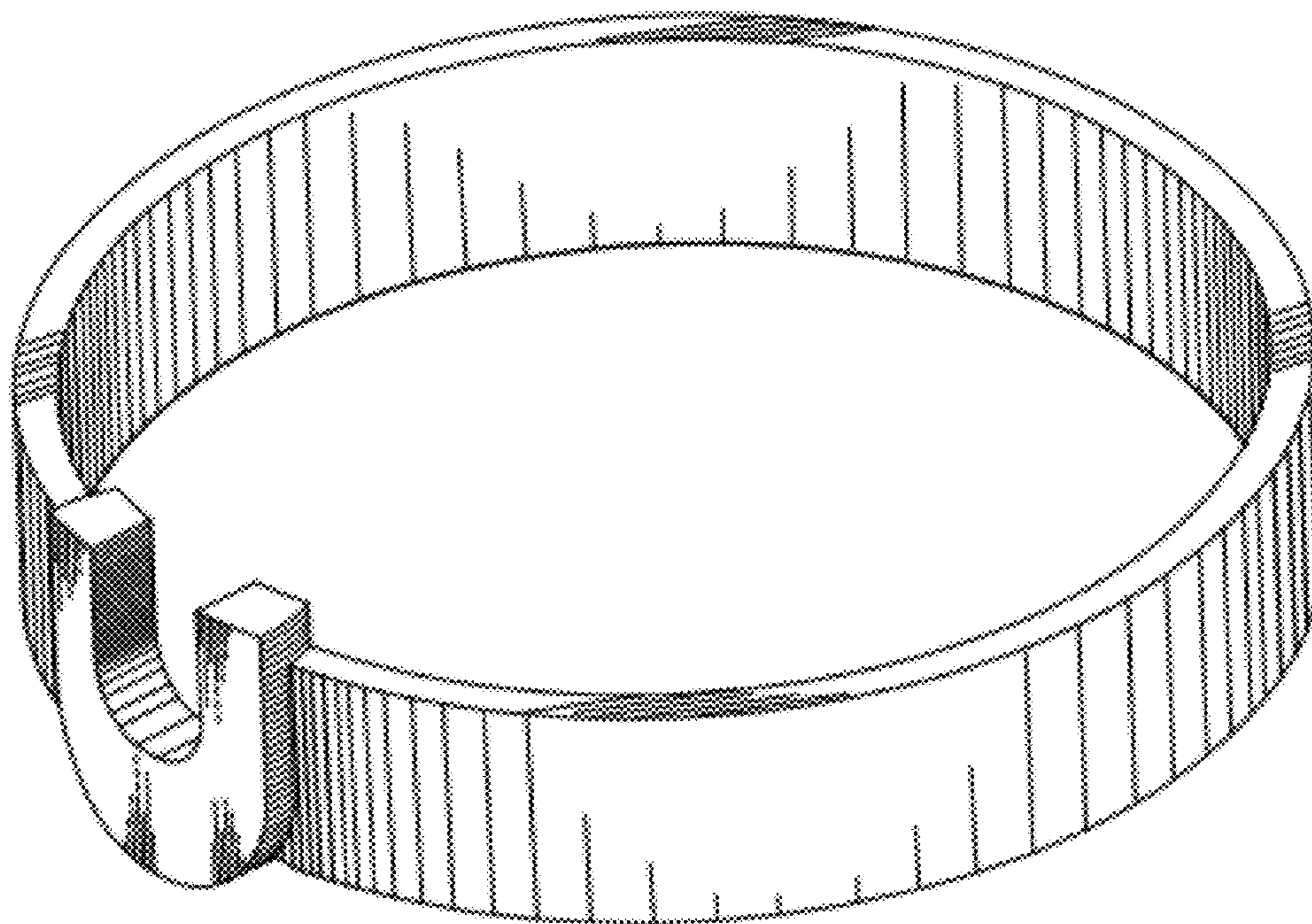
FIG. 5 is a bottom side view thereof;

FIG. 6 is a right side view of thereof; and,

FIG. 7 is a left side view thereof.

The broken line showing of a debossed logo in FIGS. 3, 6, and 7 is included for the purpose of showing environmental structure and form no part of the claimed design.

1 Claim, 7 Drawing Sheets



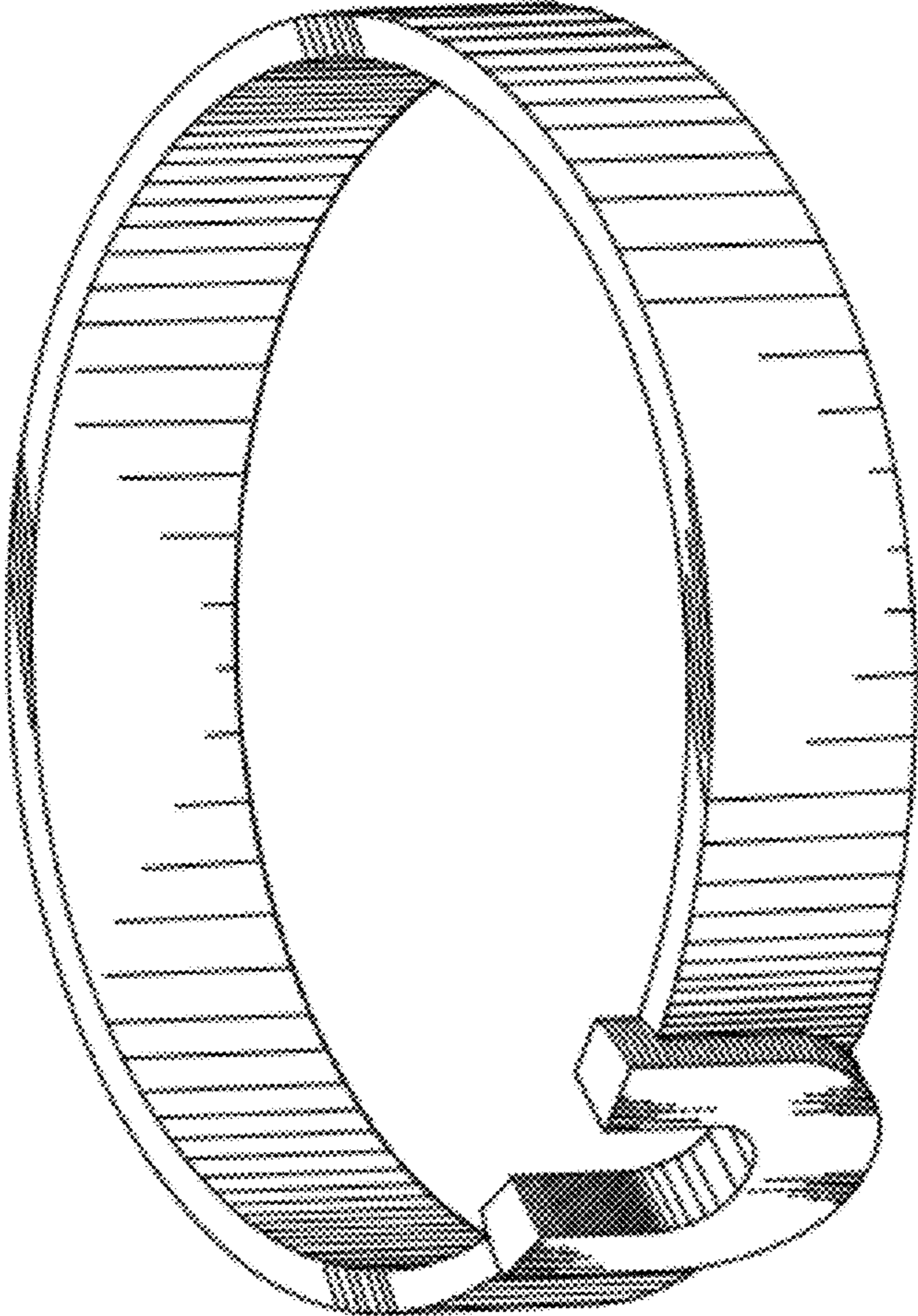


FIG. 1

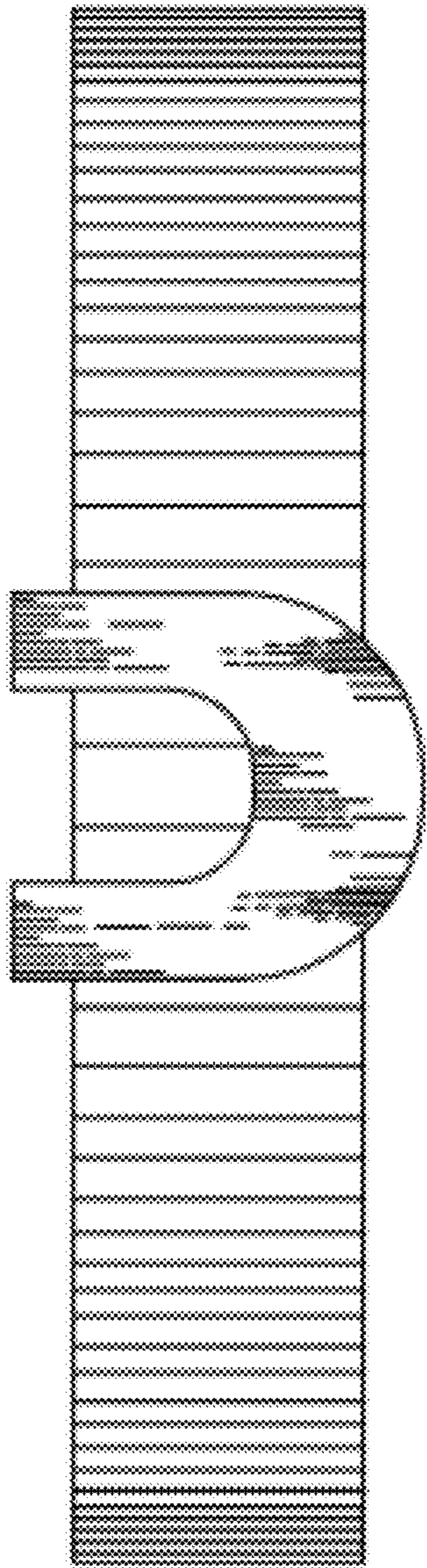


FIG. 2

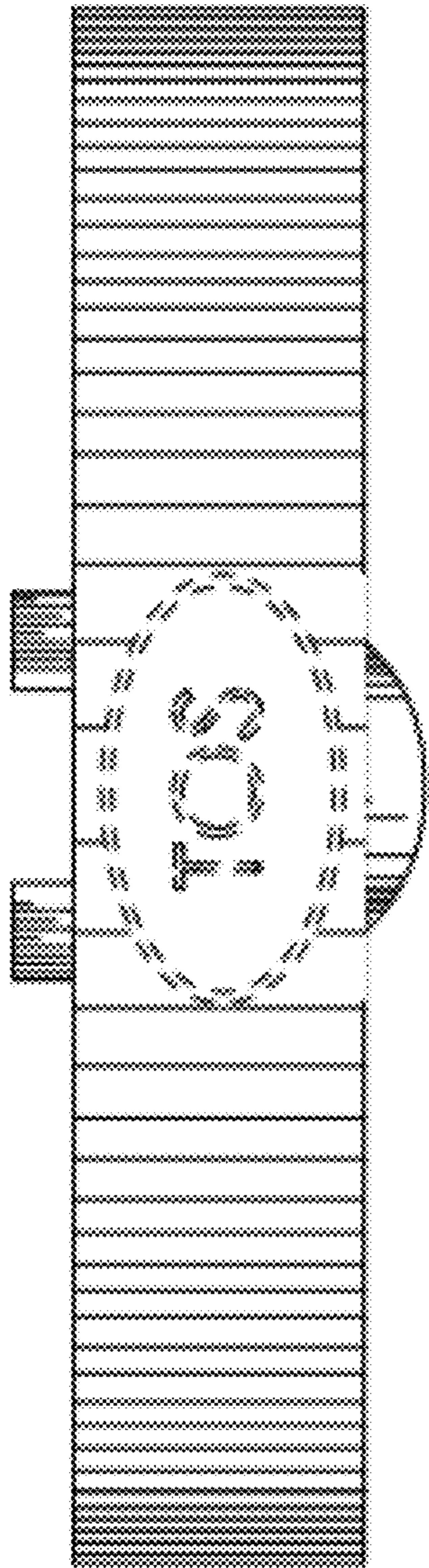


FIG. 3

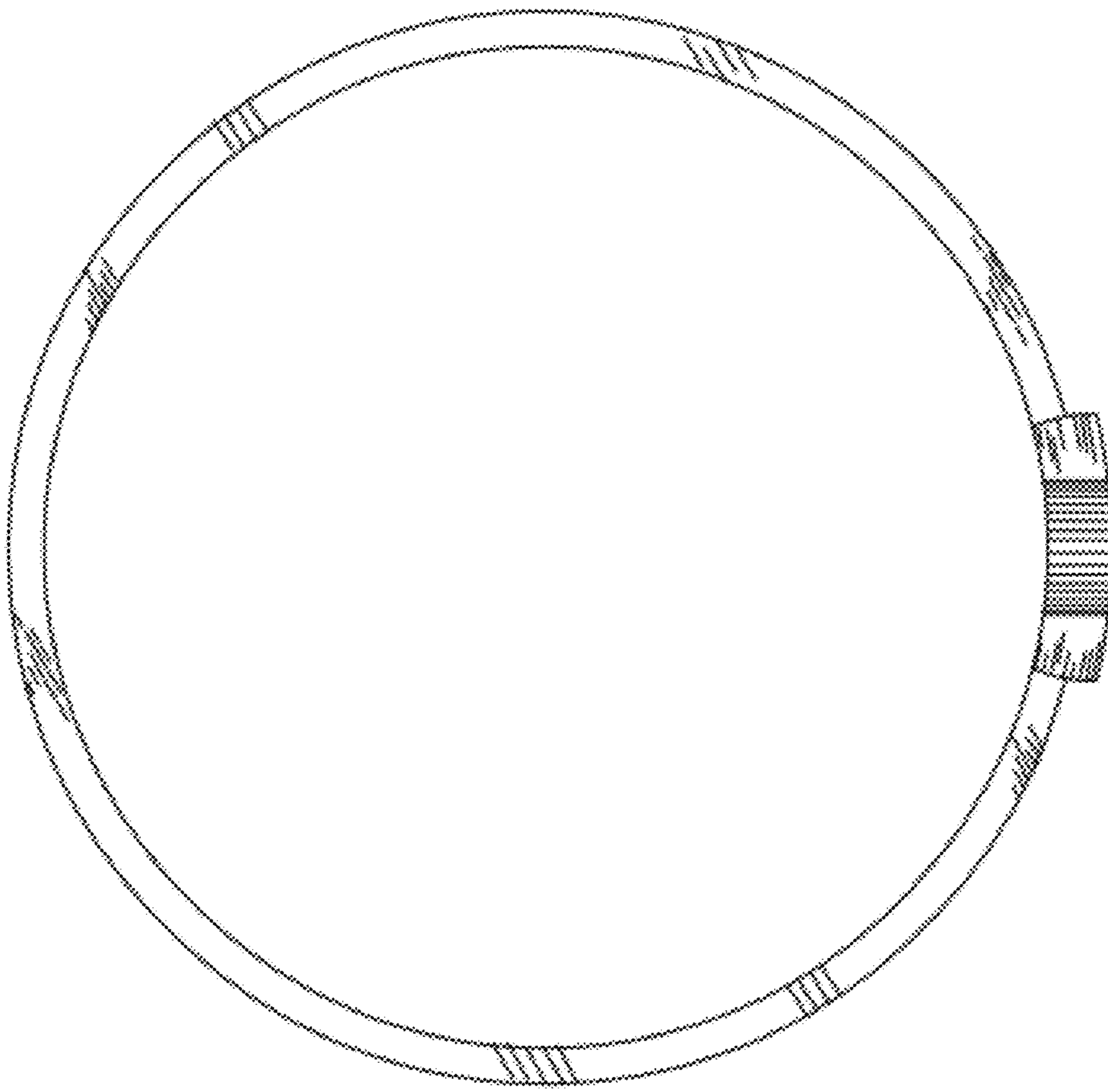


FIG. 4

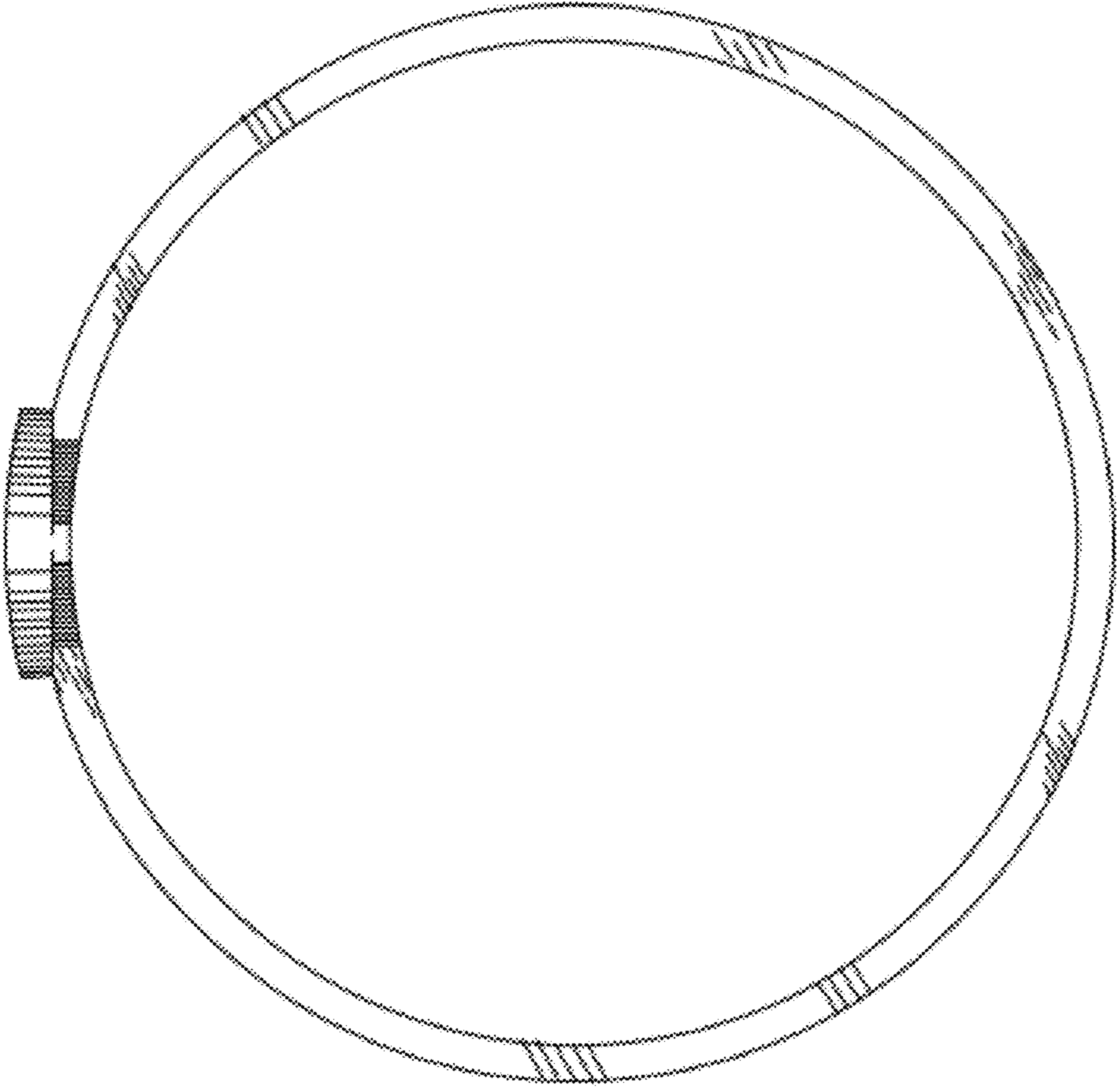


FIG. 5

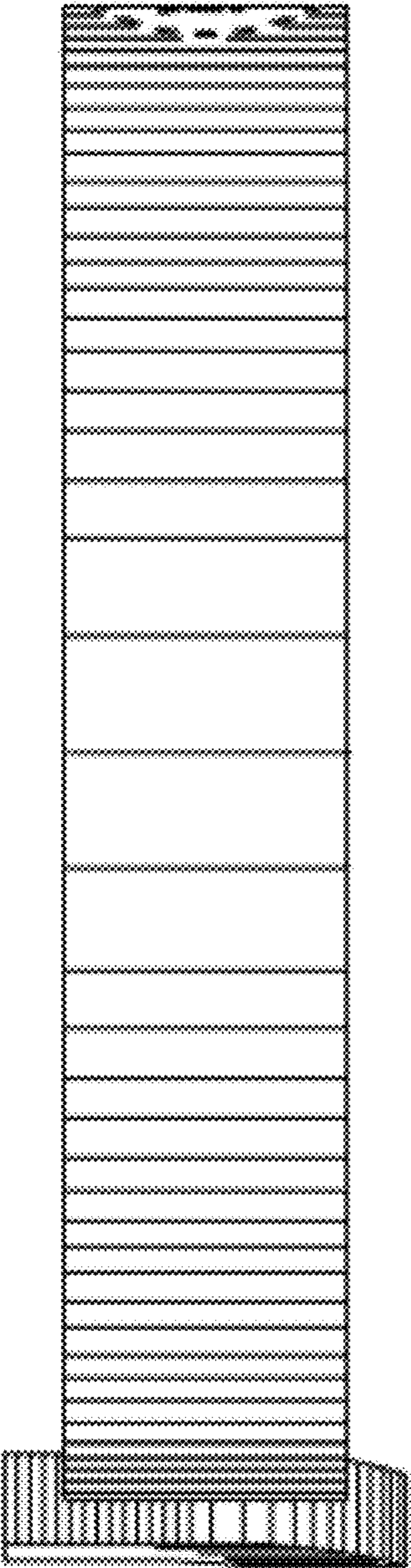


FIG. 6

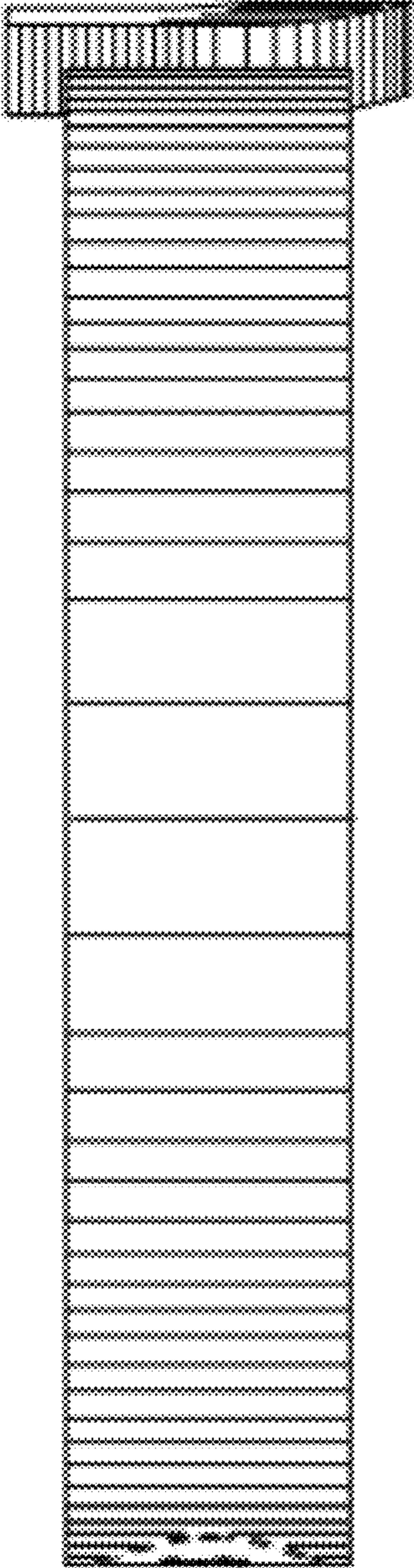


FIG. 7