

US00D666934S

(12) **United States Design Patent**  
**Krumpe et al.**

(10) **Patent No.:** **US D666,934 S**

(45) **Date of Patent:** **\*\* Sep. 11, 2012**

(54) **CONTACT SENSOR**

(75) Inventors: **Geraint Krumpe**, Chicago, IL (US);  
**Michael Reedy**, Chicago, IL (US)

(73) Assignee: **EnOcean GmbH**, Oberhaching (DE)

(\*\*) Term: **14 Years**

(21) Appl. No.: **29/394,506**

(22) Filed: **Jun. 17, 2011**

(51) **LOC (9) Cl.** ..... **10-05**

(52) **U.S. Cl.** ..... **D10/106.6**

(58) **Field of Classification Search** ... D10/106.6–106.8,  
D10/104.1, 70, 114.1–114.4; D13/158, 134,  
D13/125; 340/628, 584, 693.5; 361/748;  
D26/72; D16/203

See application file for complete search history.

(56) **References Cited**

**U.S. PATENT DOCUMENTS**

D493,740 S *	8/2004	George	.....	D10/106.6
D515,955 S *	2/2006	Edwards	.....	D10/104.1
D592,536 S *	5/2009	Chan Chen	.....	D10/114.2

\* cited by examiner

*Primary Examiner* — George D Kirschbaum

(74) *Attorney, Agent, or Firm* — Foley & Lardner LLP;  
Matthew L. Fenselau

(57) **CLAIM**

The ornamental design for a contact sensor, as shown and described.

**DESCRIPTION**

FIG. 1 is a perspective view of a contact sensor showing our new design;

FIG. 2 is a front elevational view thereof;

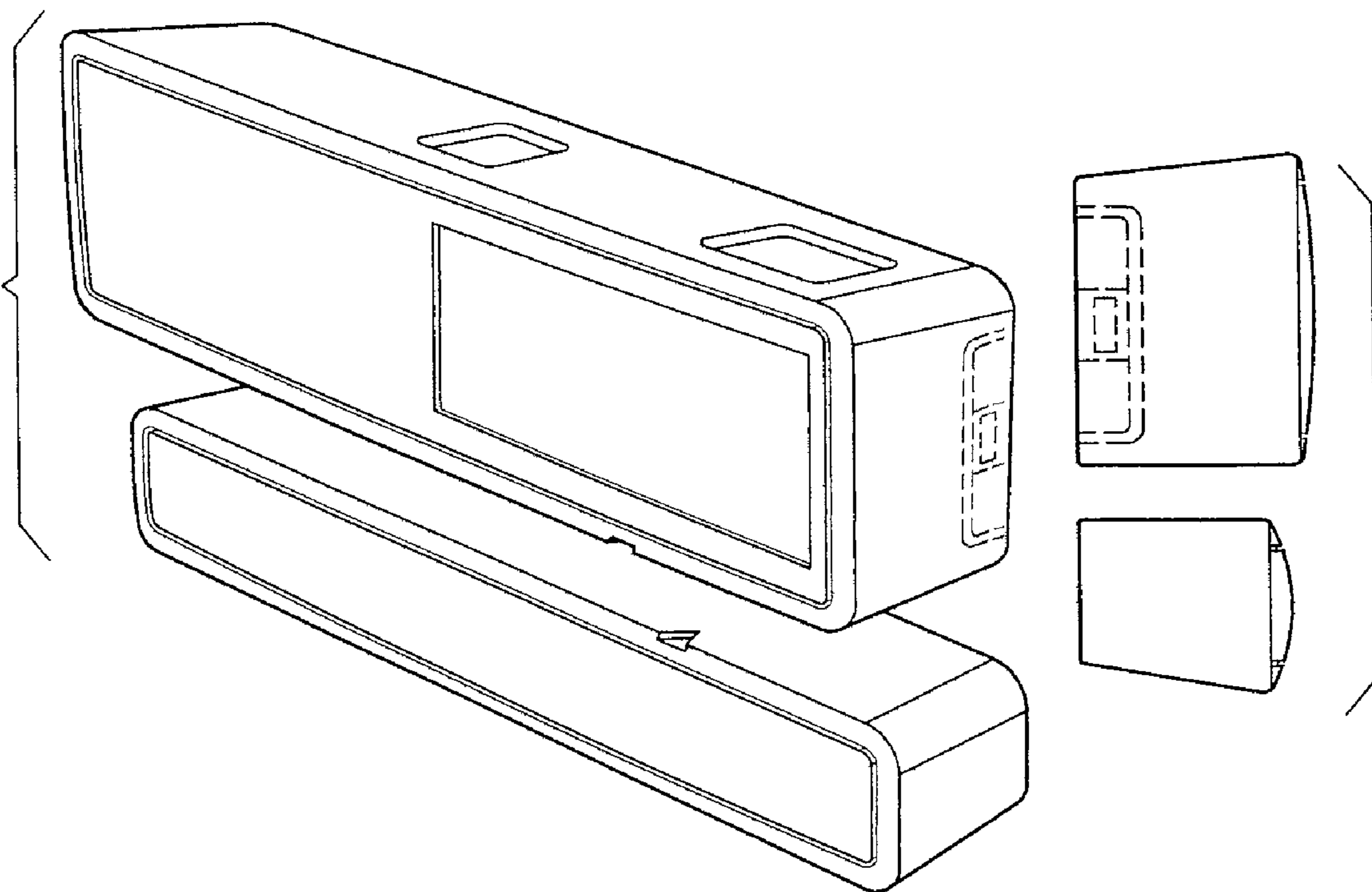
FIG. 3 is an end view thereof, the opposite end being a mirror image of the end shown;

FIG. 4 is a top view thereof; and,

FIG. 5 is a bottom view thereof.

The broken line showing of rectangular elements as seen in FIGS. 1 & 3 are included for the purpose of illustrating portions of the “article” and forms no part of the claimed design.

**1 Claim, 1 Drawing Sheet**



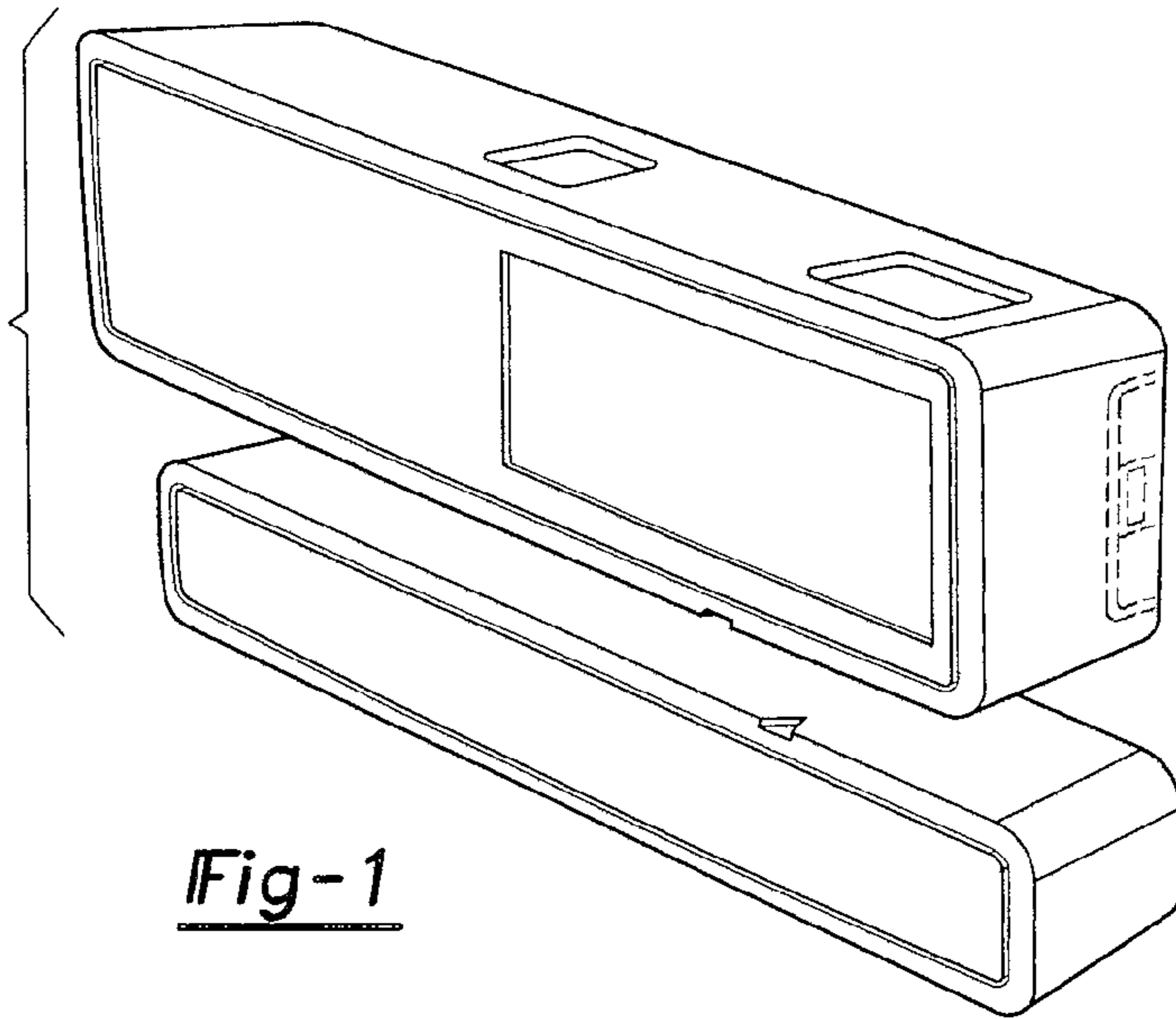


Fig-1

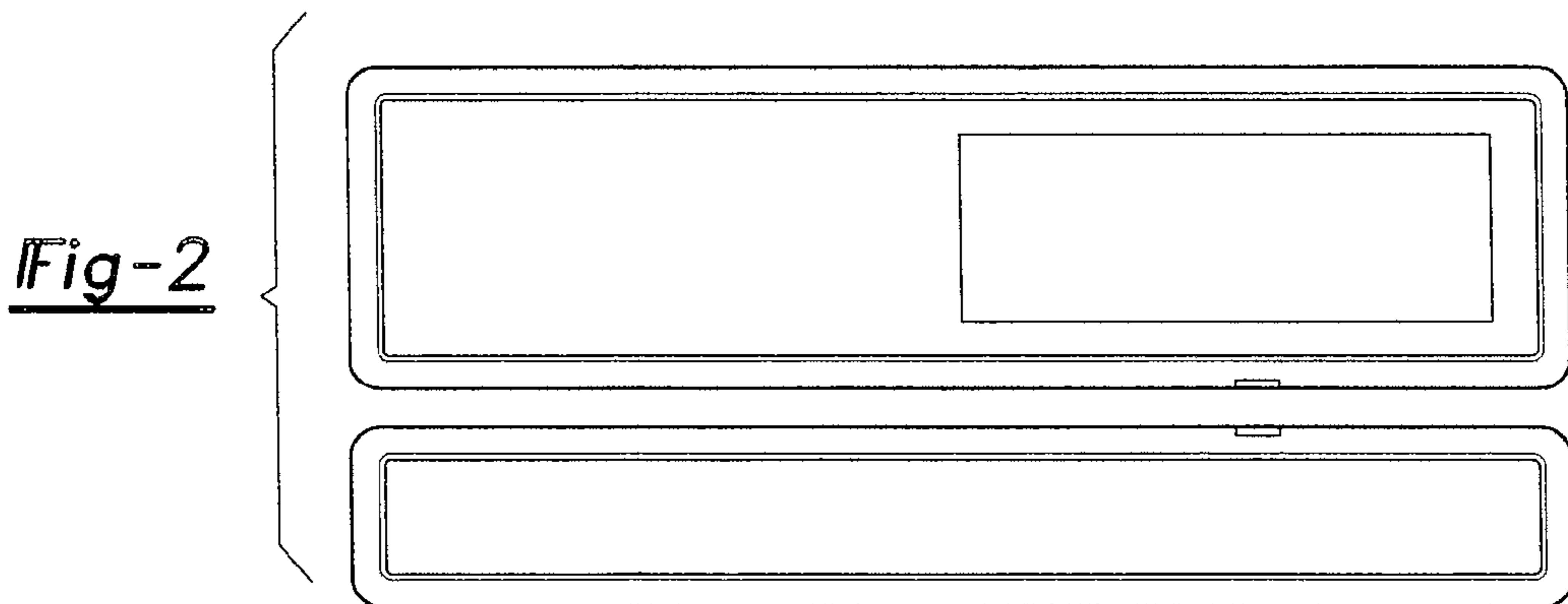


Fig-2

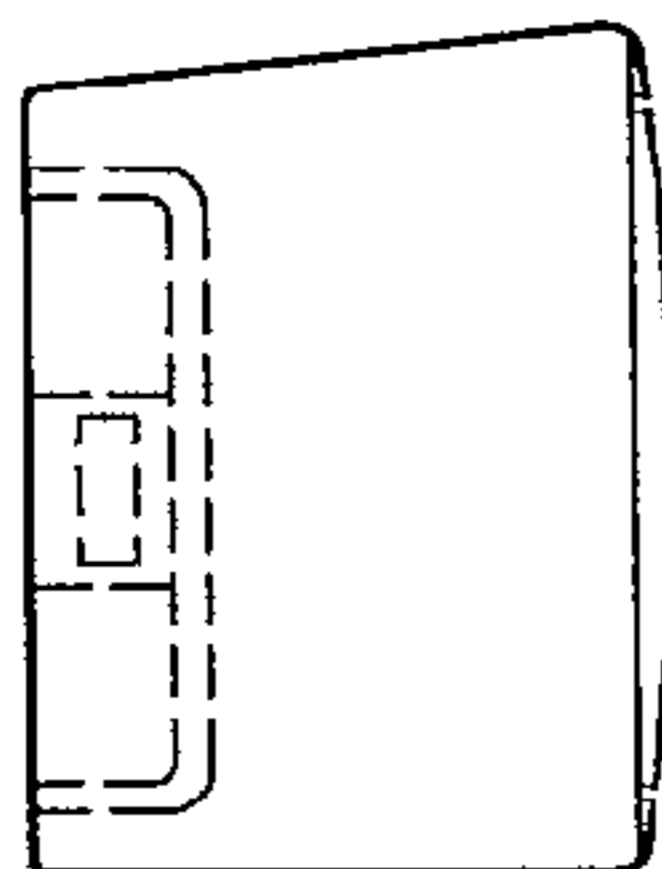
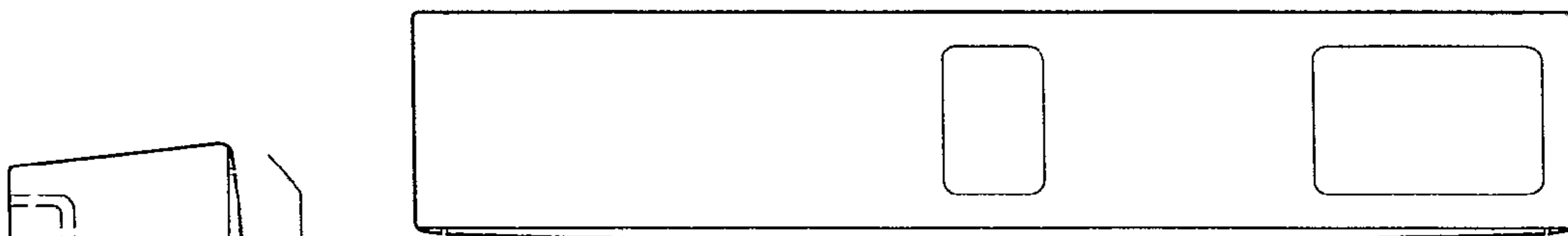


Fig-3

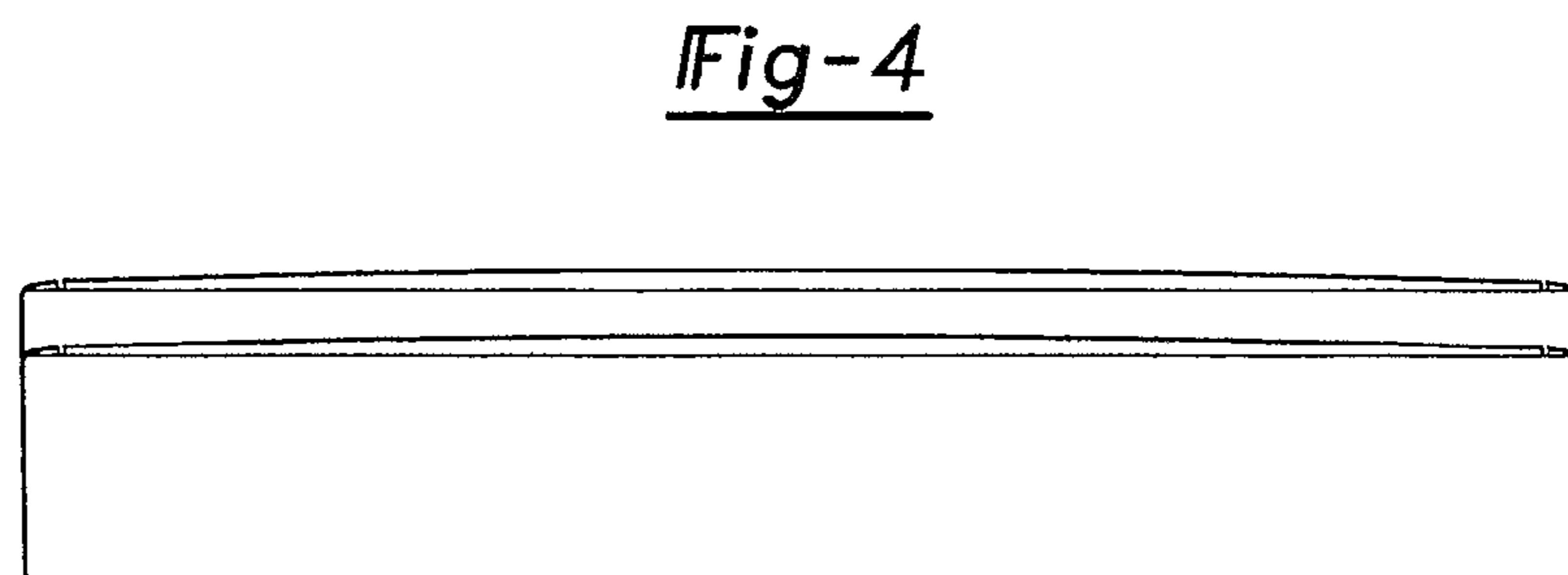


Fig-4



Fig-5