



US00D666929S

(12) **United States Design Patent**
Tyler

(10) **Patent No.:** **US D666,929 S**

(45) **Date of Patent:** **** Sep. 11, 2012**

(54) **THERMOMETER**

Primary Examiner — Antoine D Davis

(76) Inventor: **Daniel Jason Tyler**, London (GB)

(**) Term: **14 Years**

(57) **CLAIM**

The ornamental design for a thermometer, as shown.

(21) Appl. No.: **29/410,593**

(22) Filed: **Jan. 10, 2012**

(51) **LOC (9) Cl.** **10-04**

(52) **U.S. Cl.** **D10/57**

(58) **Field of Classification Search** D10/57;
374/1-208; 600/549

See application file for complete search history.

DESCRIPTION

FIG. 1 is a front perspective view of a thermometer showing my new design;

FIG. 2 is a rear perspective view thereof;

FIG. 3 is a top plan view thereof;

FIG. 4 is a bottom plan view thereof;

FIG. 5 is a front elevational view thereof;

FIG. 6 is a back elevational view thereof; and,

FIG. 7 is a side elevational view thereof.

(56) **References Cited**

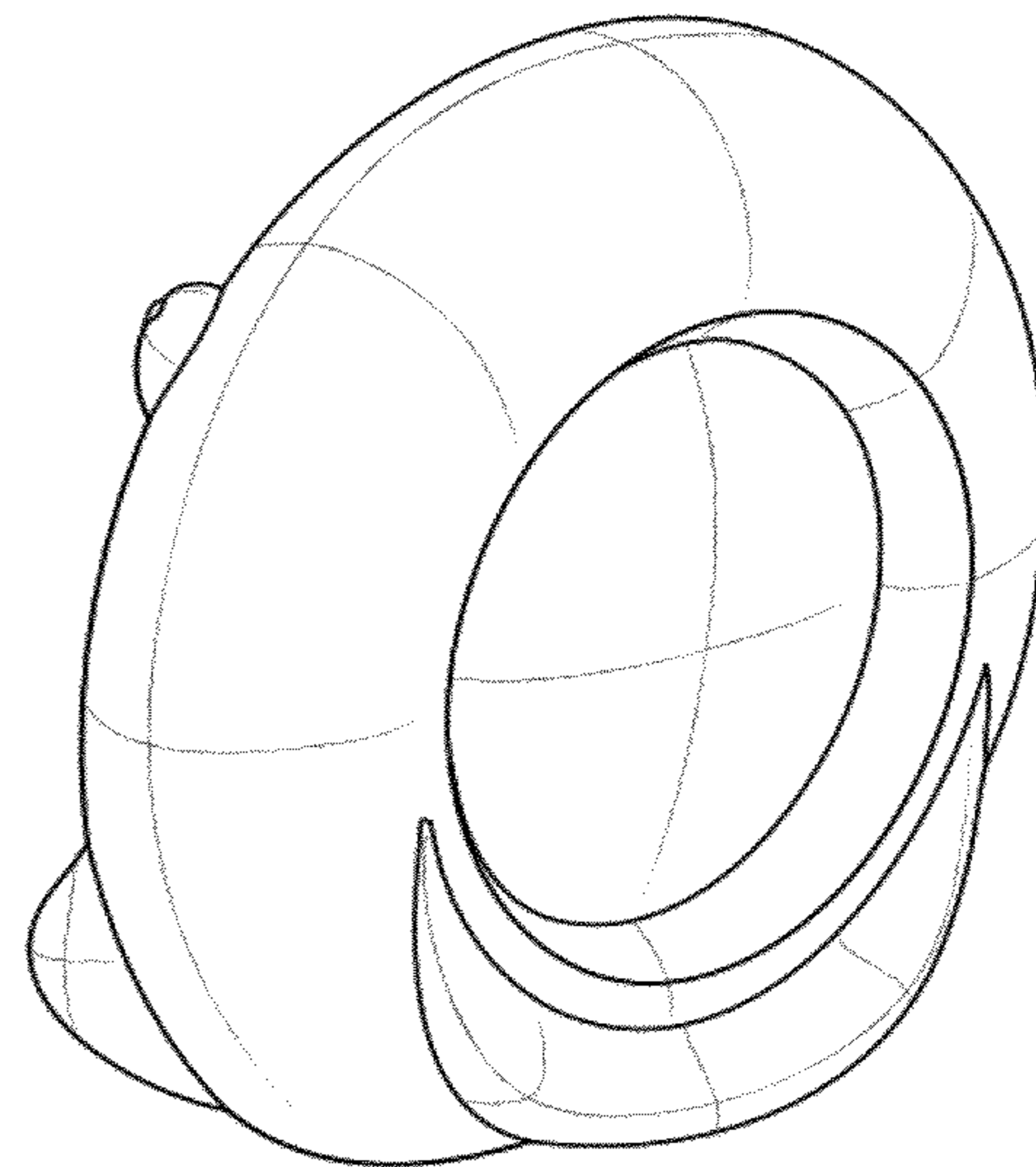
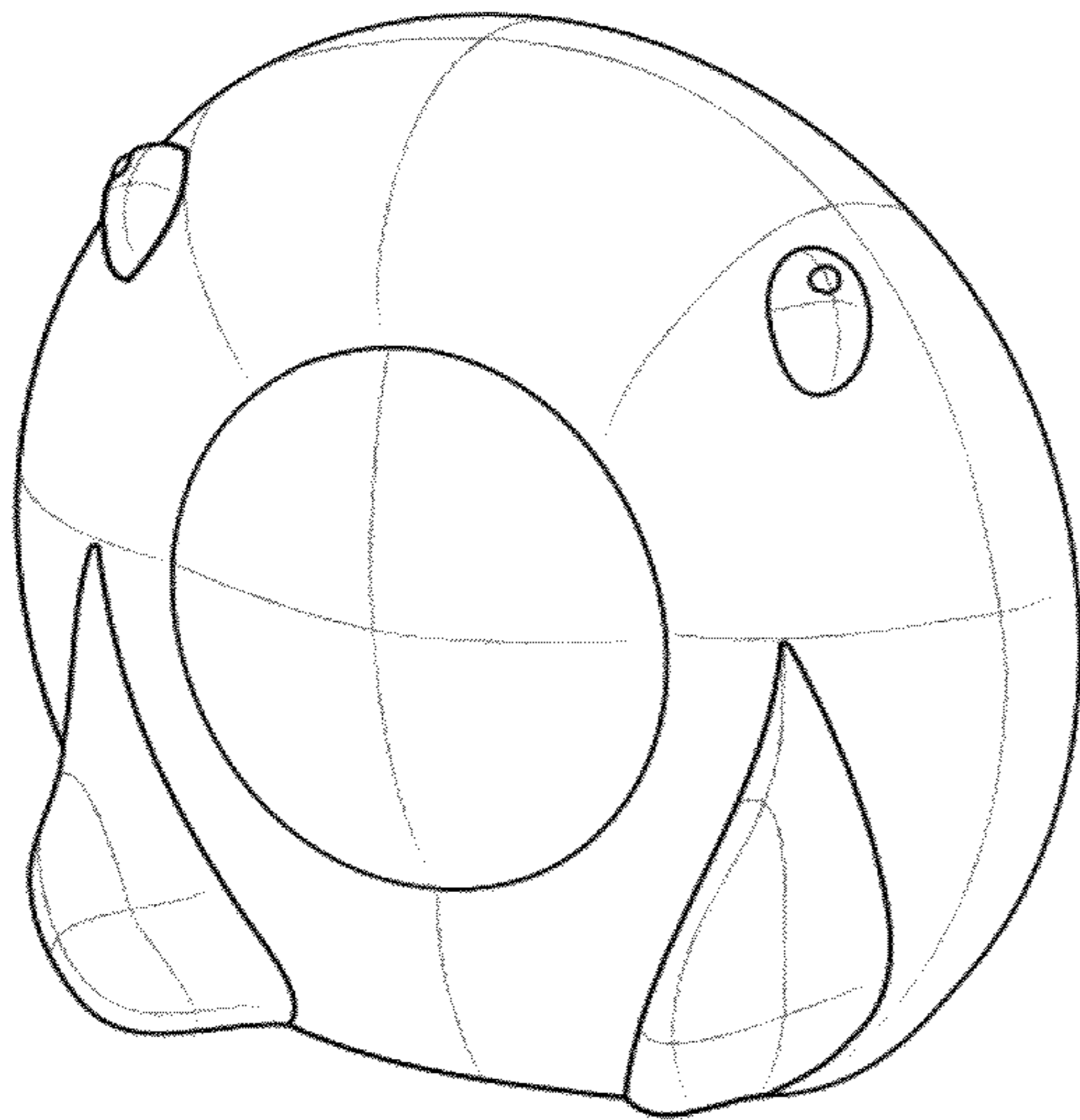
U.S. PATENT DOCUMENTS

D502,414 S * 3/2005 Shibata et al. D10/57

D586,671 S * 2/2009 Eide et al. D10/57

* cited by examiner

1 Claim, 7 Drawing Sheets



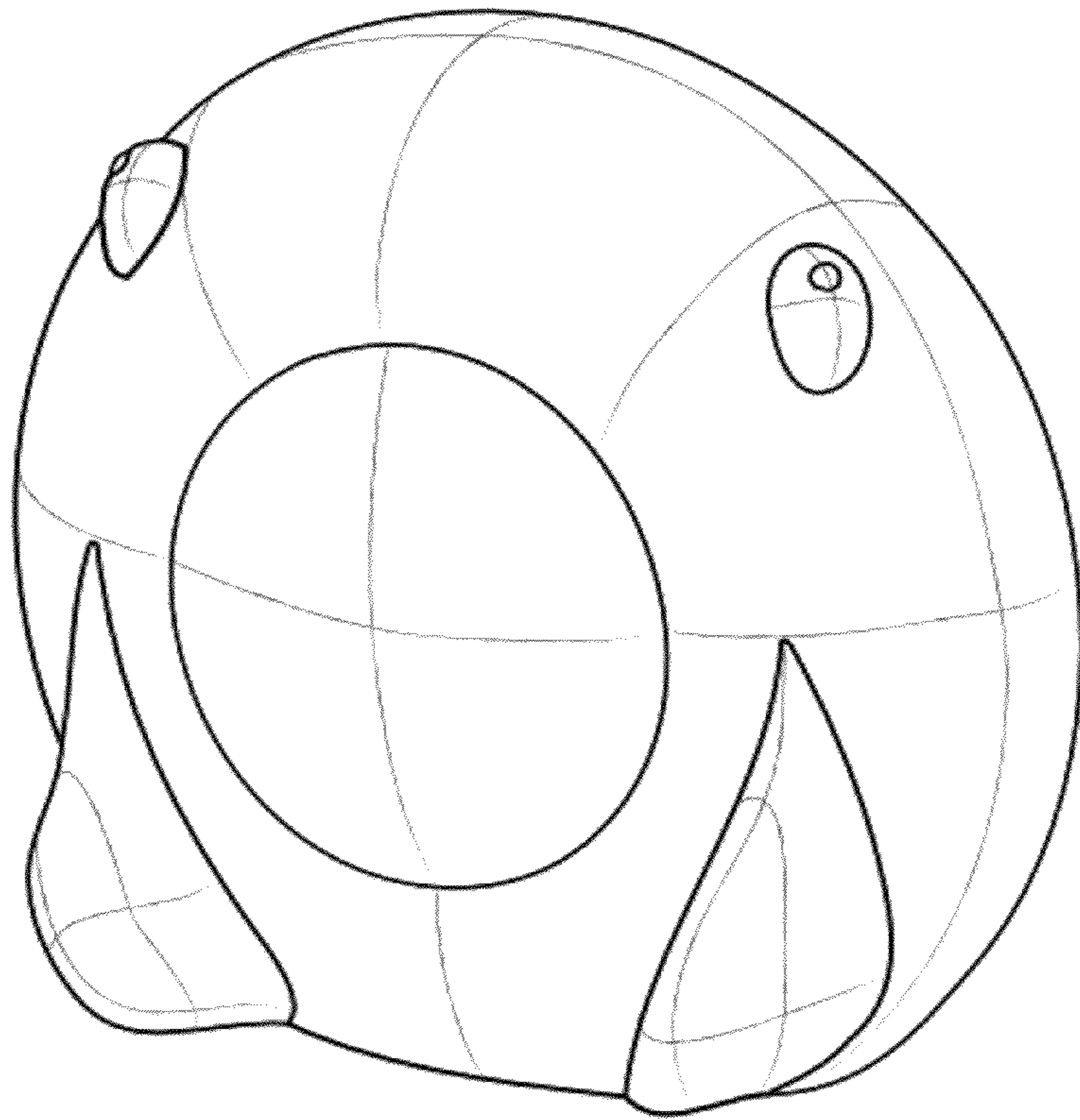


Fig. 1

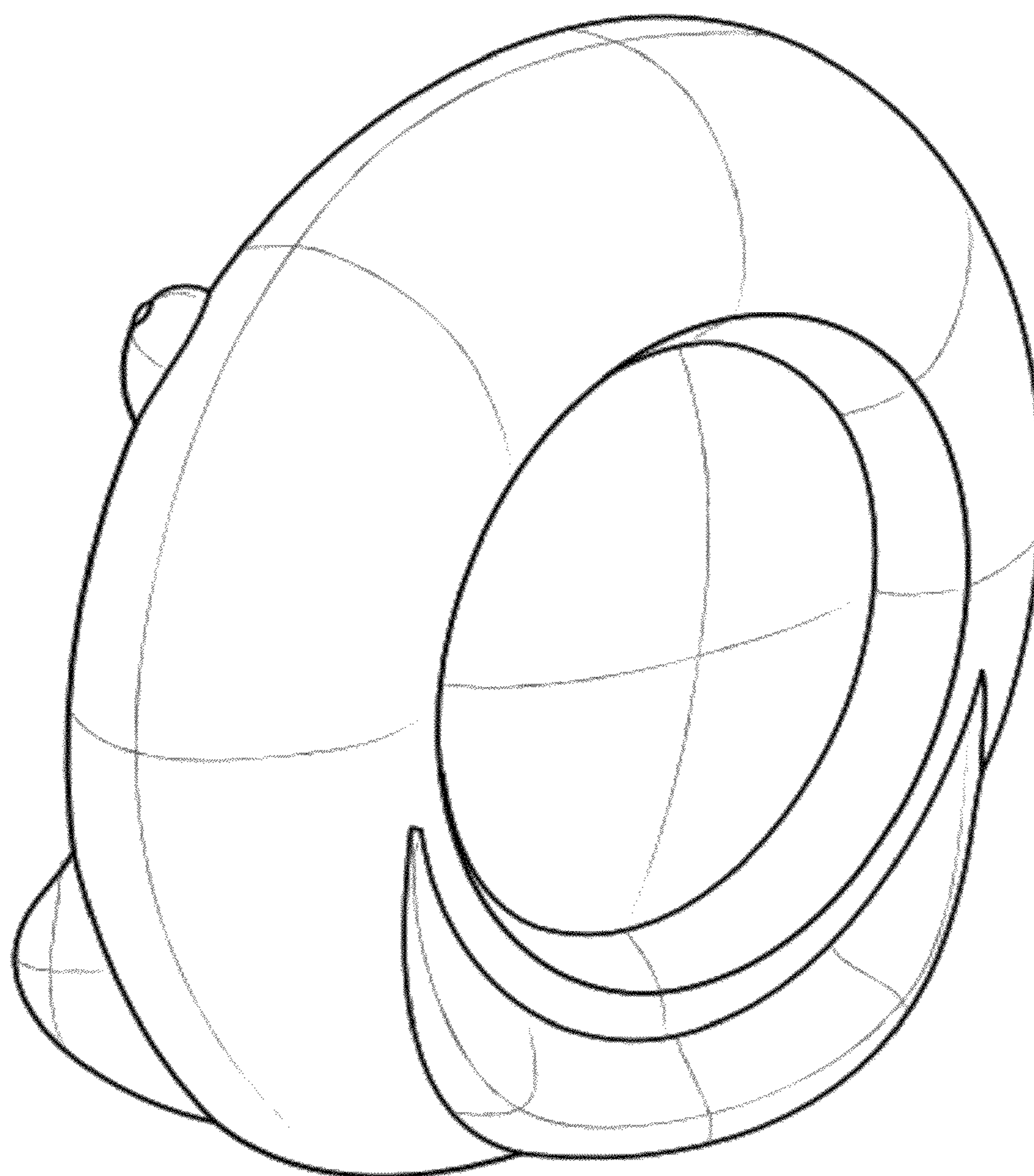


Fig. 2

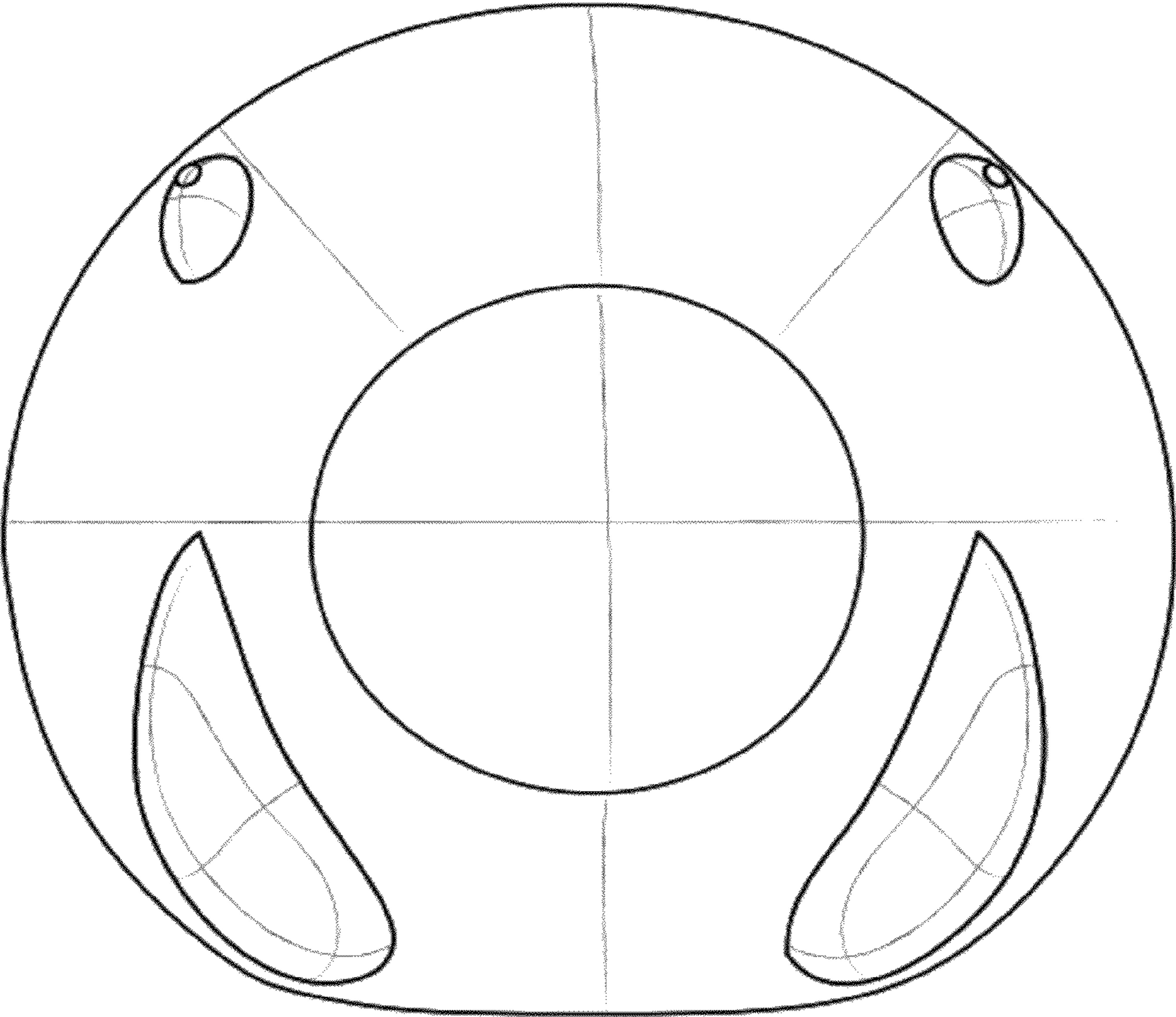


Fig. 3

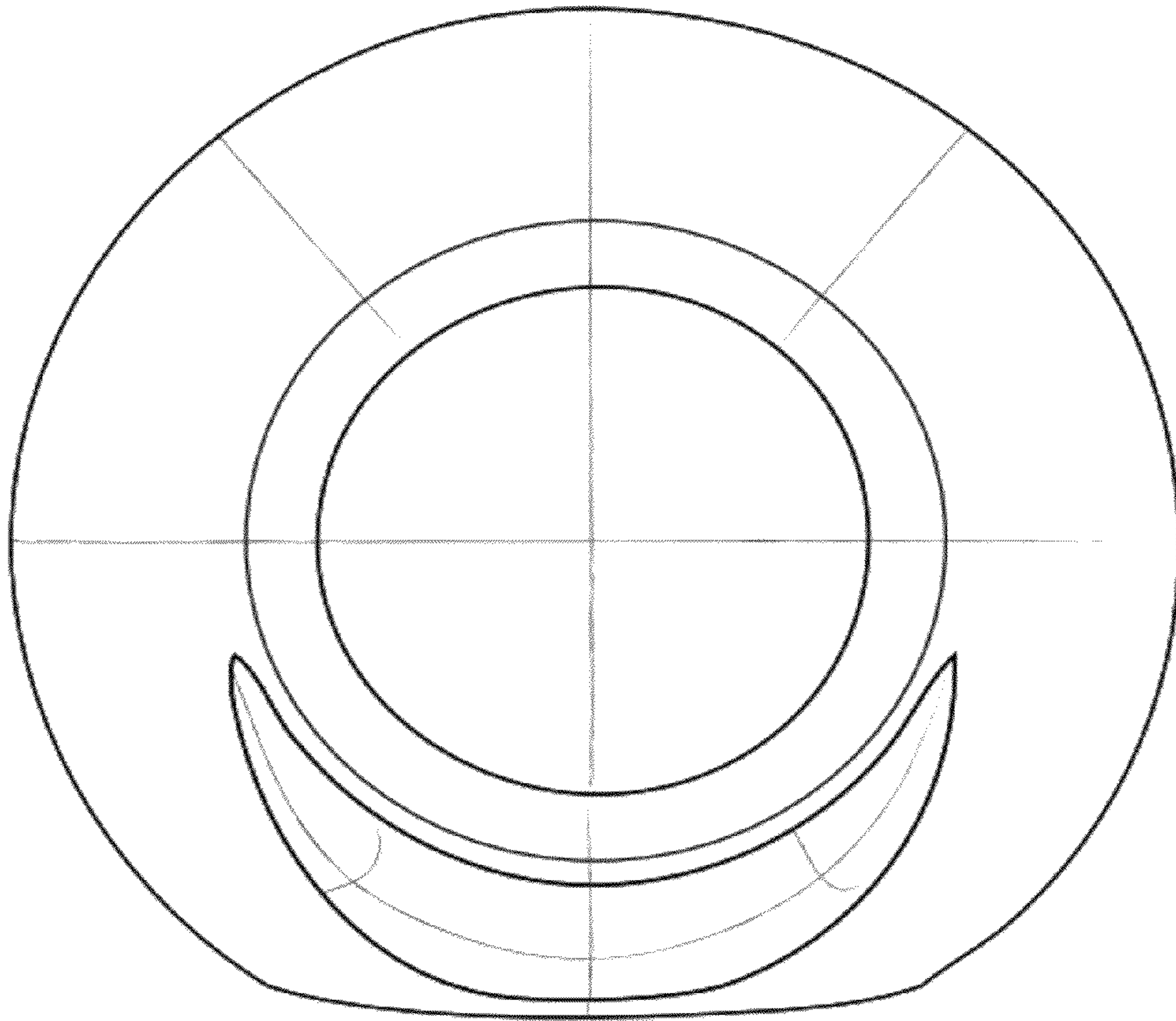


Fig. 4

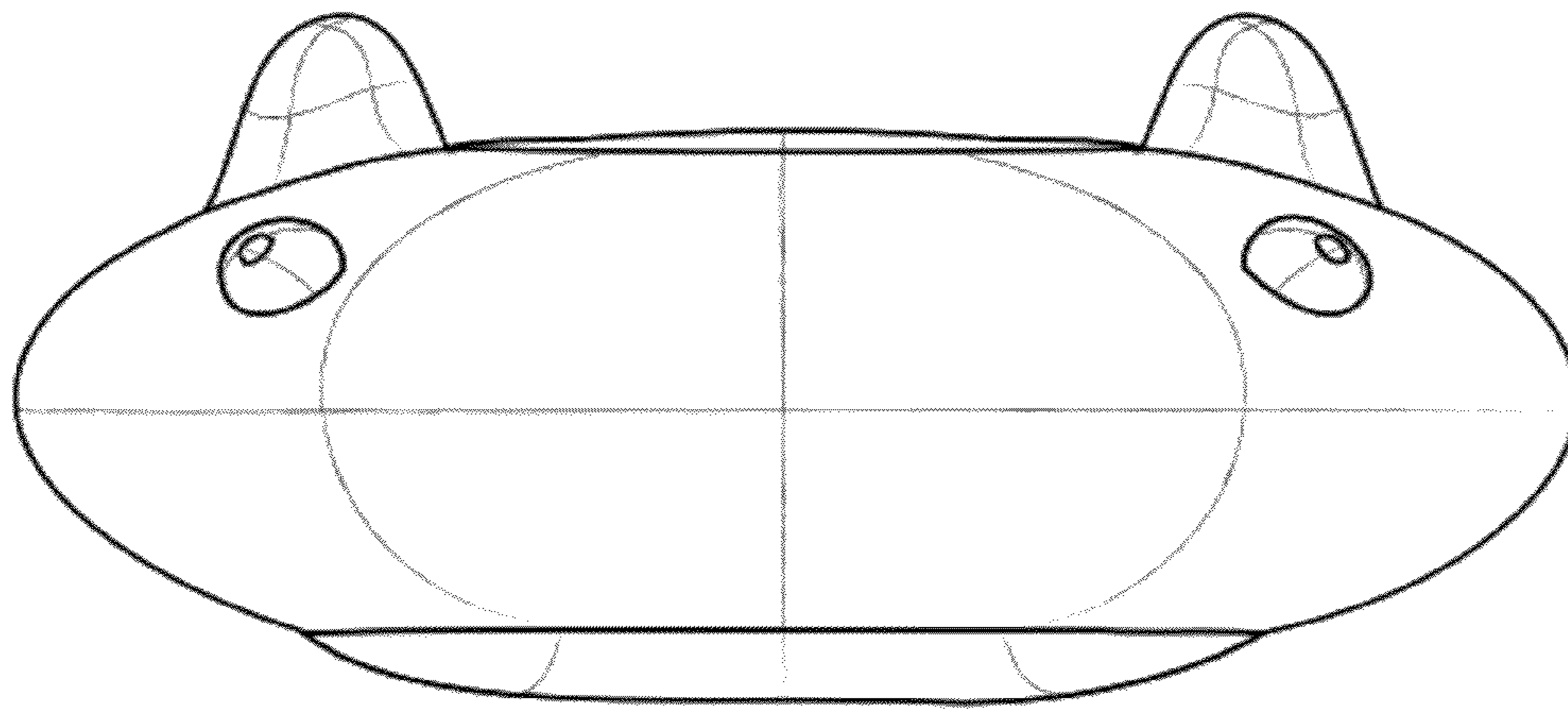


Fig. 5

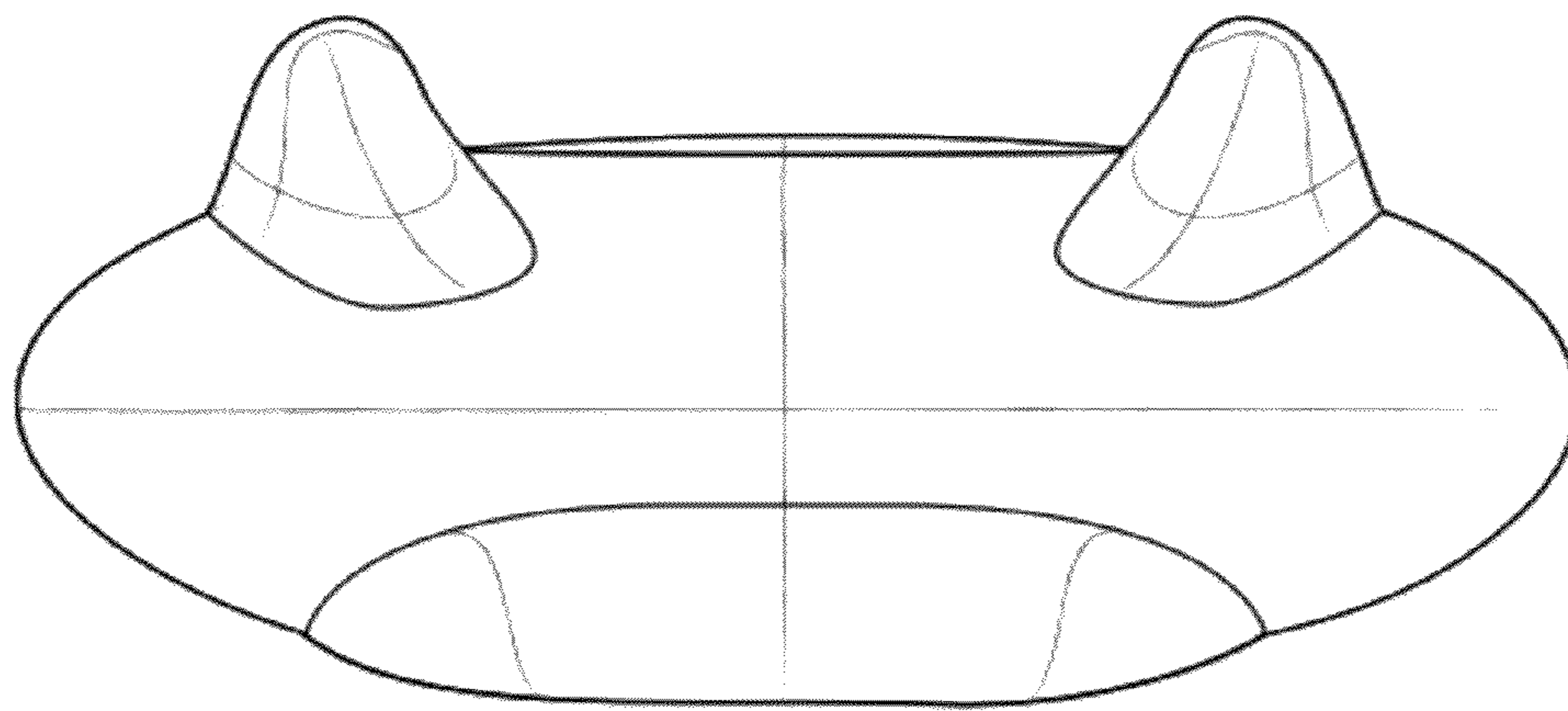


Fig. 6

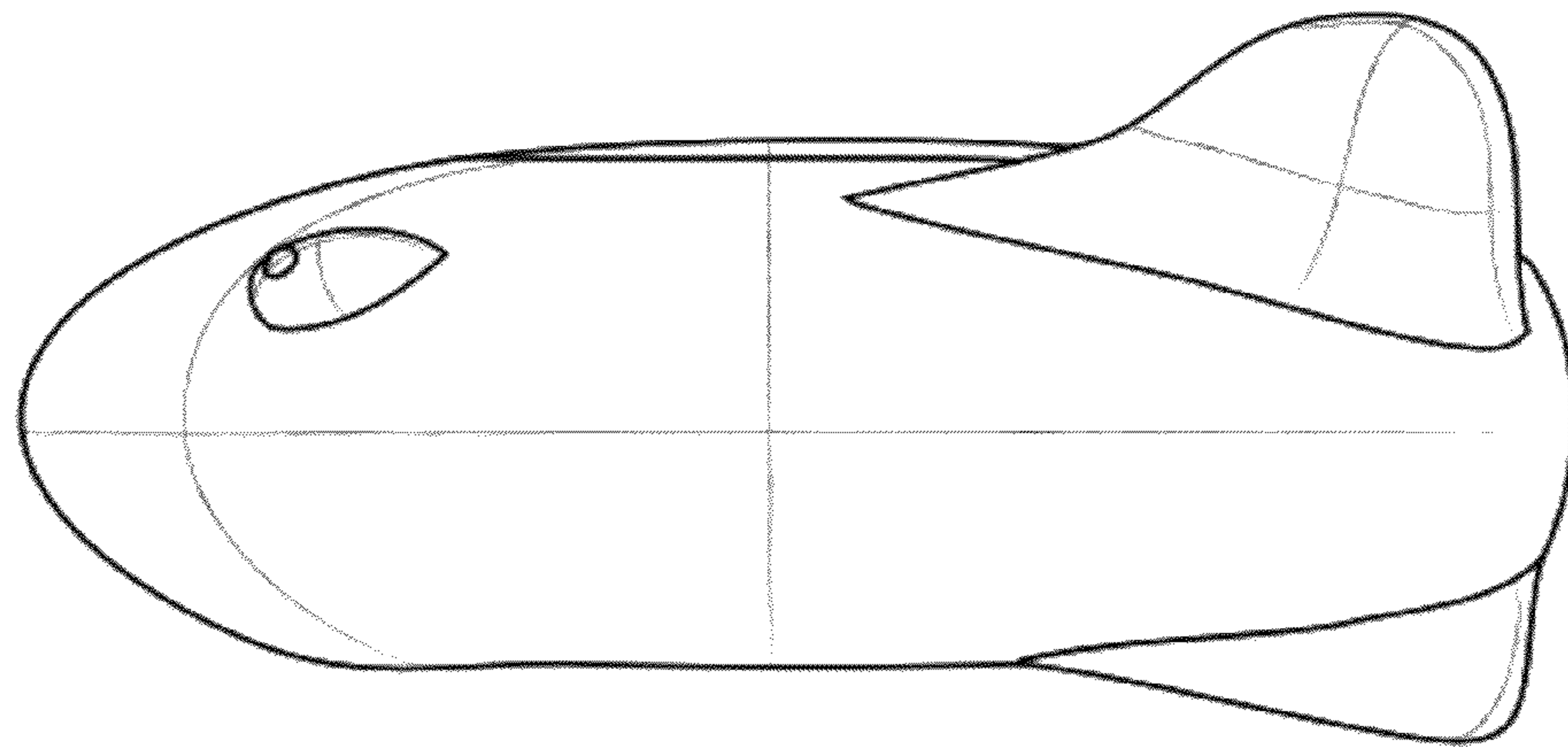


Fig. 7