

US00D666923S

(12) **United States Design Patent**
Buffington et al.

(10) **Patent No.:** **US D666,923 S**

(45) **Date of Patent:** **** Sep. 11, 2012**

(54) **APPLICATOR TIP**

(75) Inventors: **Kimberly Dawn Buffington**, Greenville, SC (US); **Victoria Louise Walker**, San Mateo, CA (US)

(73) Assignee: **Prym Consumer USA, Inc.**, Spartanburg, SC (US)

(**) Term: **14 Years**

(21) Appl. No.: **29/391,713**

(22) Filed: **May 12, 2011**

(51) **LOC (9) Cl.** **09-01**

(52) **U.S. Cl.** **D9/723**

(58) **Field of Classification Search** D9/434-436,
D9/452-454, 723-729; D28/7, 88, 89; 221/64,
221/65, 135, 208, 278, 282; 222/105, 394,
222/402.1, 402.15, 546

See application file for complete search history.

(56) **References Cited**

U.S. PATENT DOCUMENTS

| | | | |
|-------------|-----------|------------------|--------|
| 619,845 A | 2/1899 | Shattuck | |
| D31,279 S | 7/1899 | Davol | |
| 2,036,549 A | 4/1936 | Smith | |
| 3,167,202 A | 1/1965 | Tolciss | |
| D203,896 S | * 2/1966 | Klun | D9/436 |
| D292,966 S | * 12/1987 | Gager | D9/436 |
| 5,120,148 A | 6/1992 | Waters | |
| D327,648 S | 7/1992 | Cane | |
| D329,379 S | * 9/1992 | Jorgensen et al. | D9/434 |
| D361,380 S | 8/1995 | Linner | |

| | | | |
|------------|----------|---------------------|----------|
| D370,388 S | 6/1996 | Cusick | |
| D412,107 S | * 7/1999 | Bosshardt | D9/697 |
| D468,164 S | * 1/2003 | Gerenraich | D7/619.1 |
| D468,165 S | * 1/2003 | Gerenraich | D7/619.1 |
| D475,295 S | * 6/2003 | Love | D9/451 |
| D491,469 S | * 6/2004 | Horie et al. | D9/529 |
| D501,045 S | 1/2005 | Sakaria et al. | |
| D536,623 S | * 2/2007 | Ozaki et al. | D9/724 |
| D547,181 S | * 7/2007 | Miller | D9/435 |
| D630,524 S | * 1/2011 | van Dullemen et al. | D9/725 |
| D630,732 S | * 1/2011 | Lev et al. | D24/129 |
| D640,923 S | * 7/2011 | Kim | D9/434 |

* cited by examiner

Primary Examiner — Stella Reid

Assistant Examiner — Keli L Hill

(74) *Attorney, Agent, or Firm* — J. Bennett Mullinax, LLC

(57) **CLAIM**

The ornamental design for a applicator tip, as shown and described.

DESCRIPTION

FIG. 1 is a perspective view of an applicator tip, embodying our new design;

FIG. 2 is a front elevation view thereof;

FIG. 3 is a back elevation view thereof;

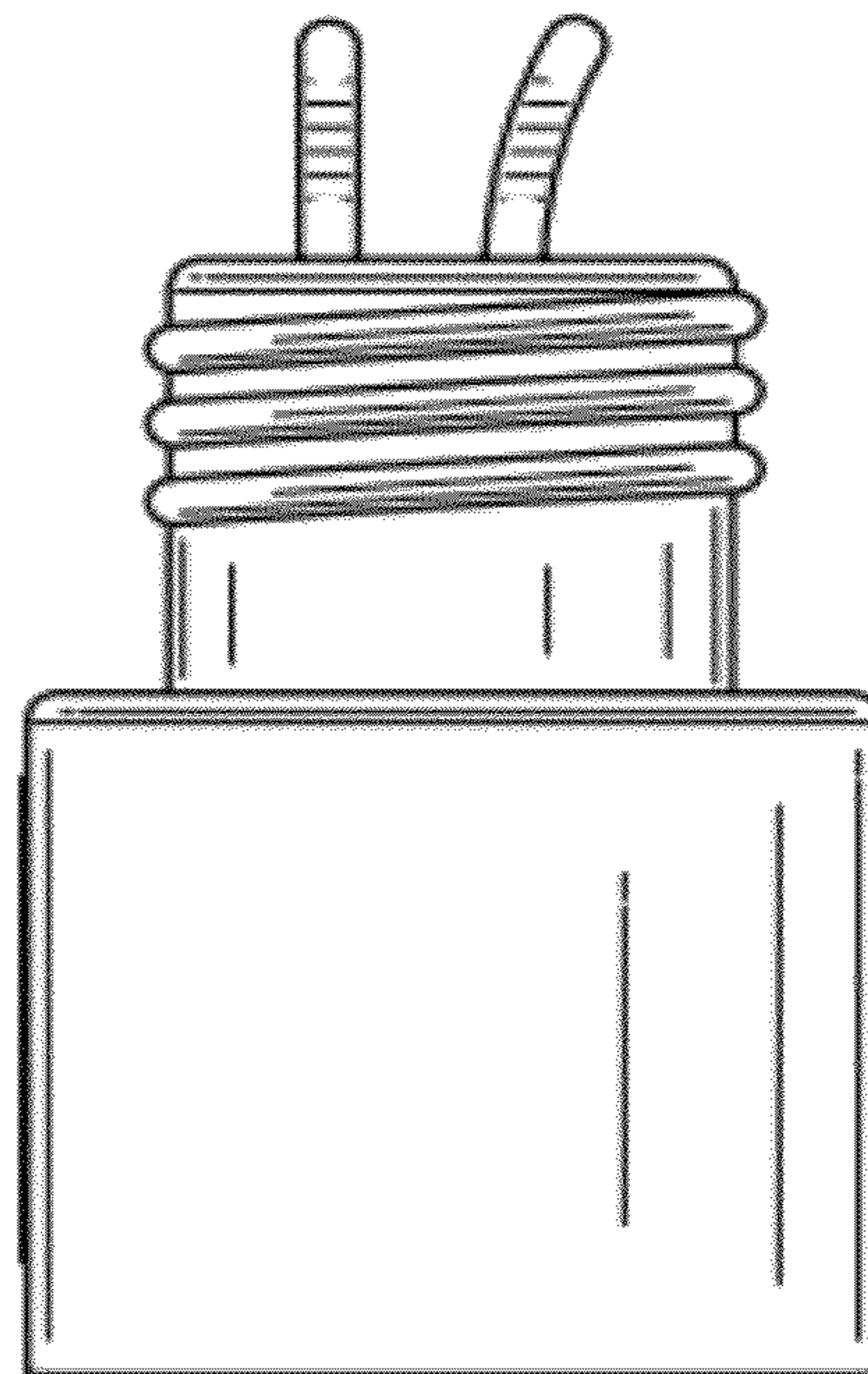
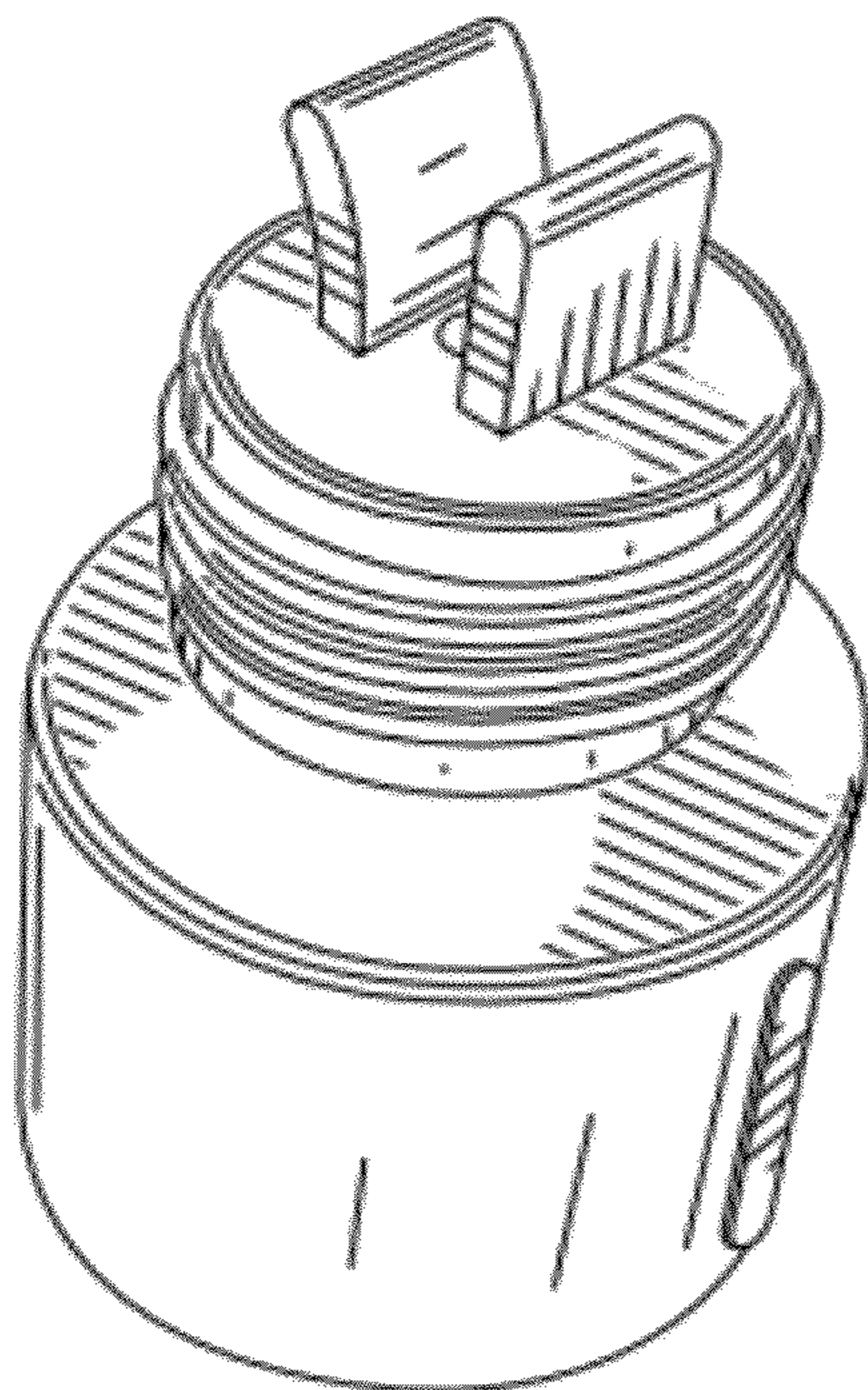
FIG. 4 is a right side elevation view thereof;

FIG. 5 is a left side elevation view thereof;

FIG. 6 is a top plan view thereof; and,

FIG. 7 is a bottom plan view thereof.

1 Claim, 6 Drawing Sheets



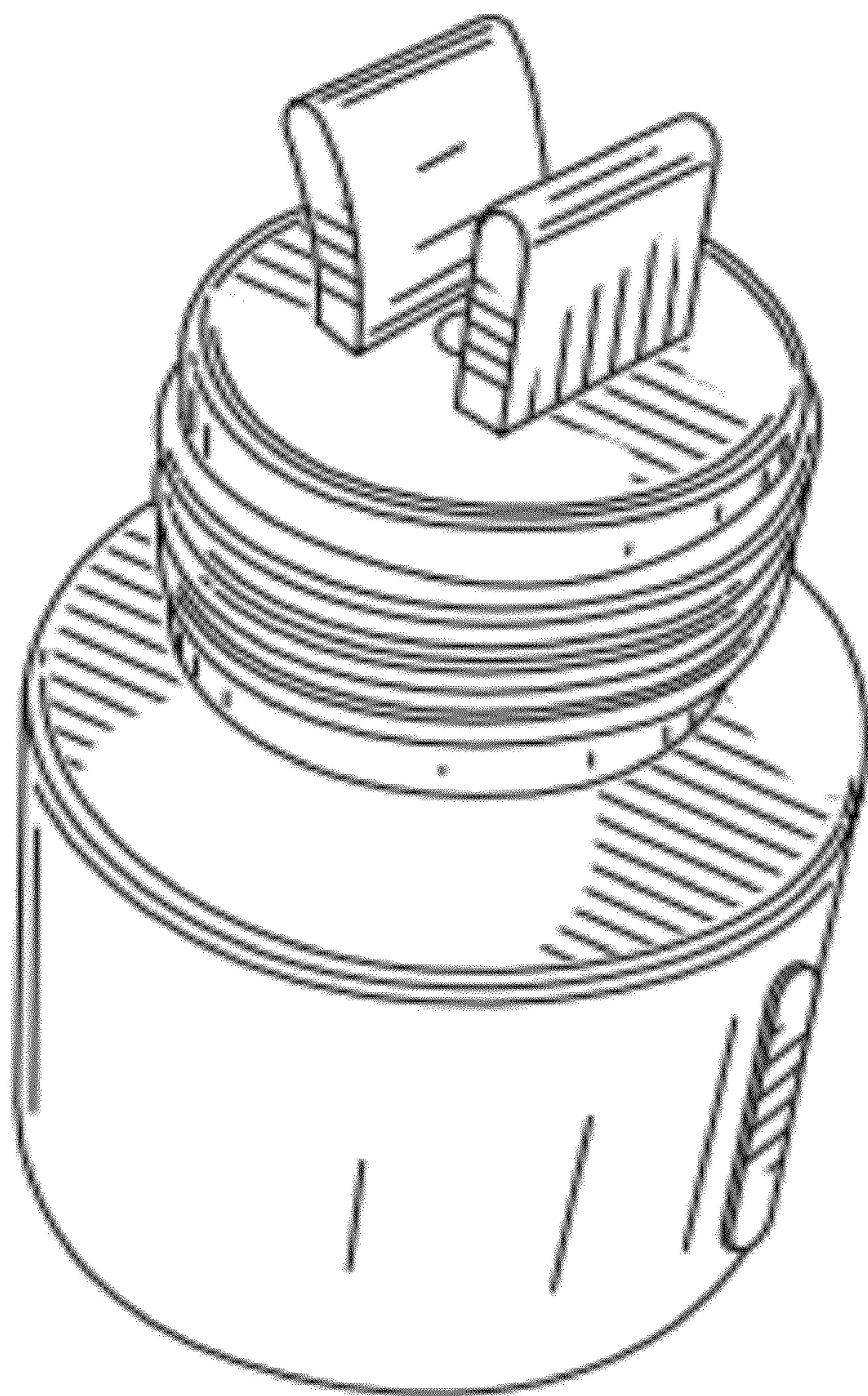


FIG. 1

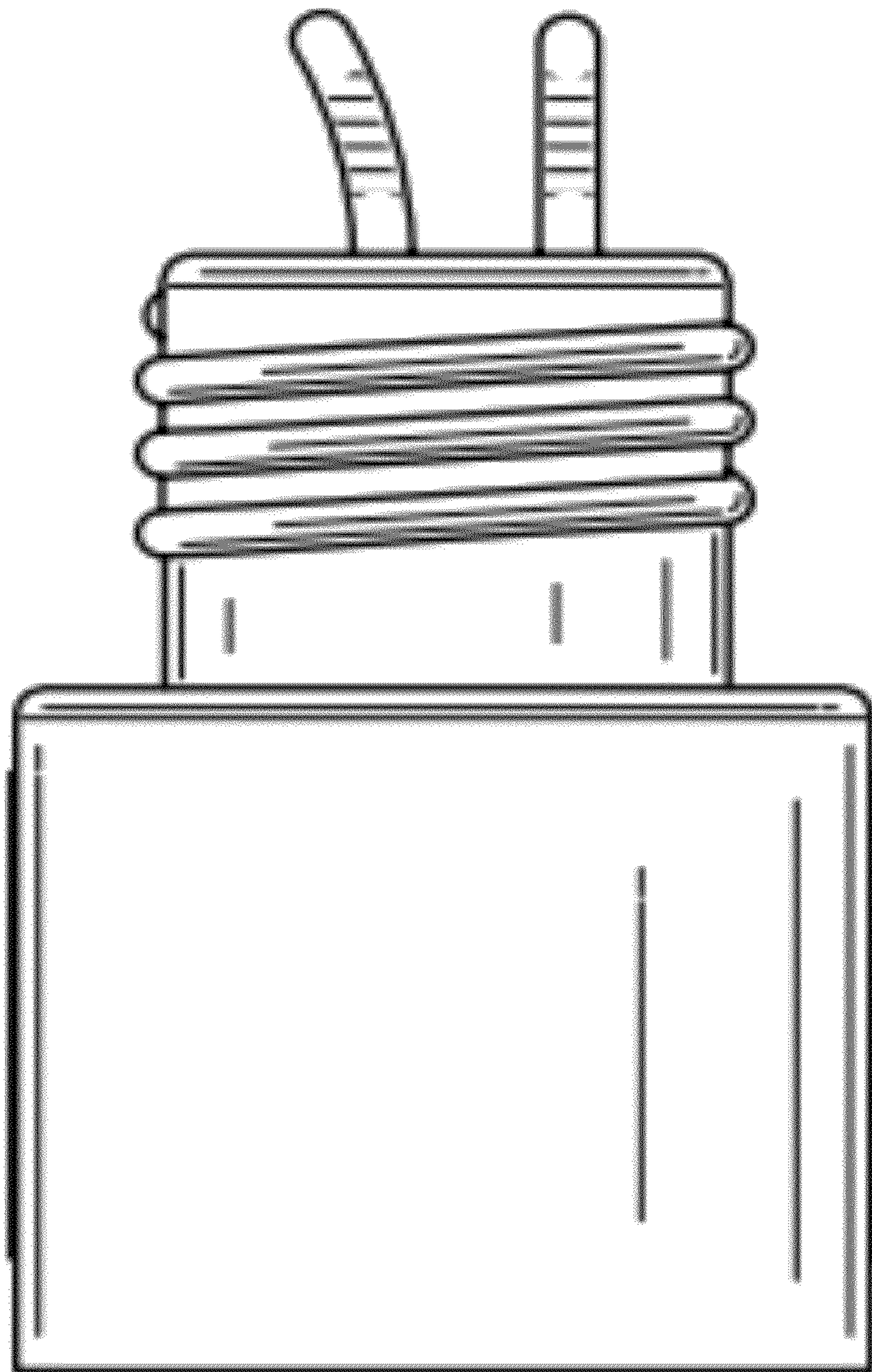


FIG. 2

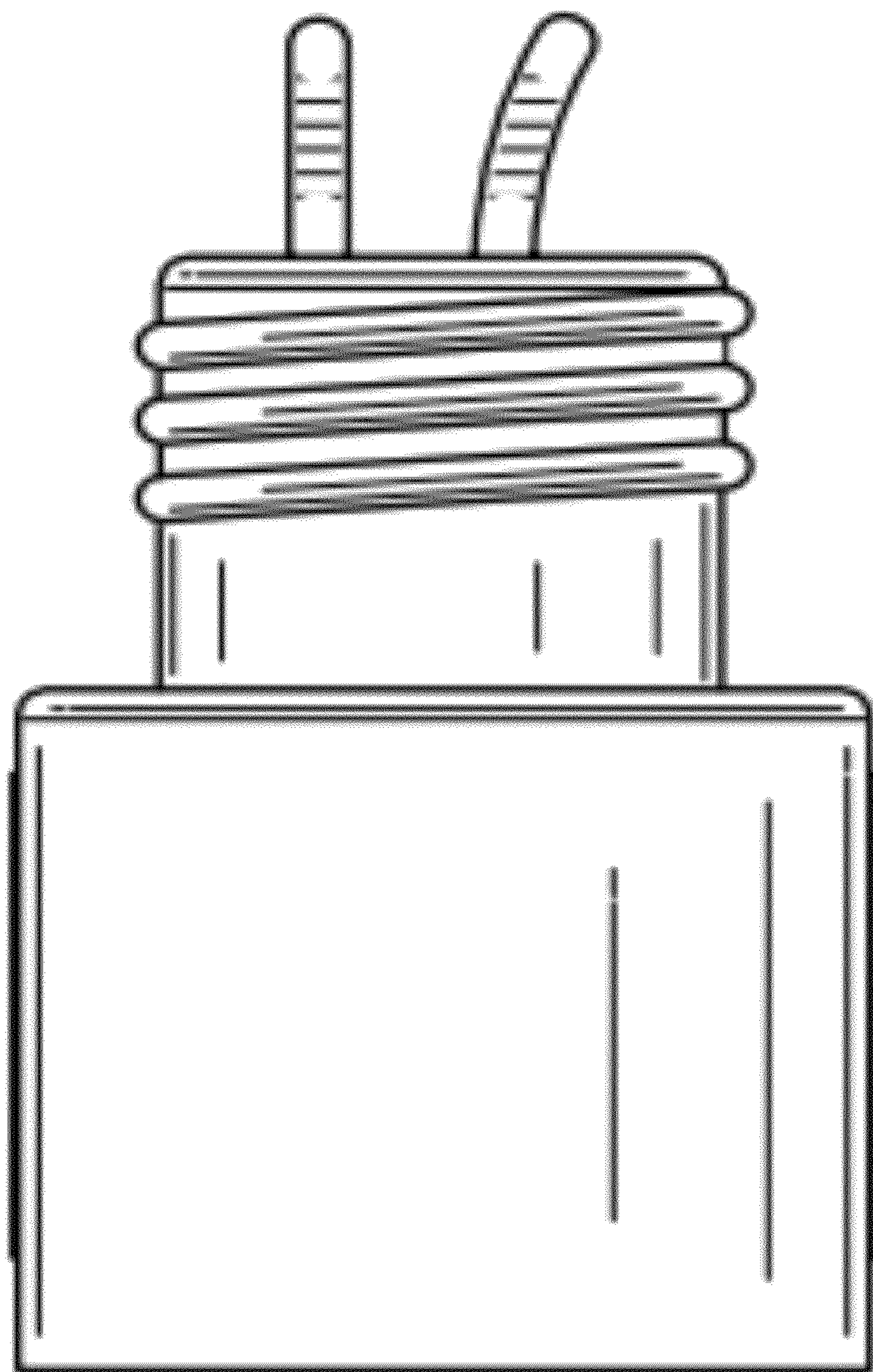


FIG. 3

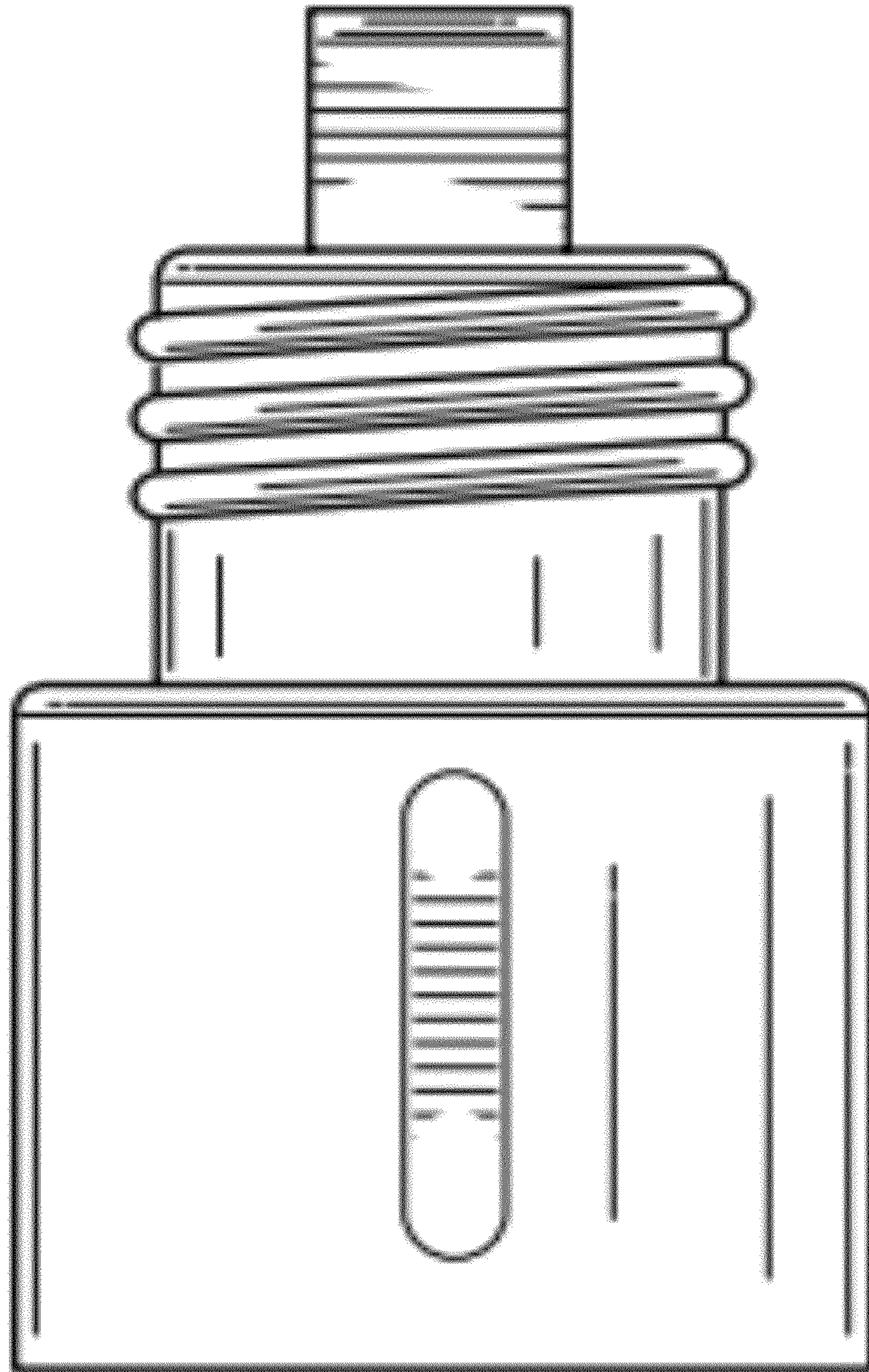


FIG. 4

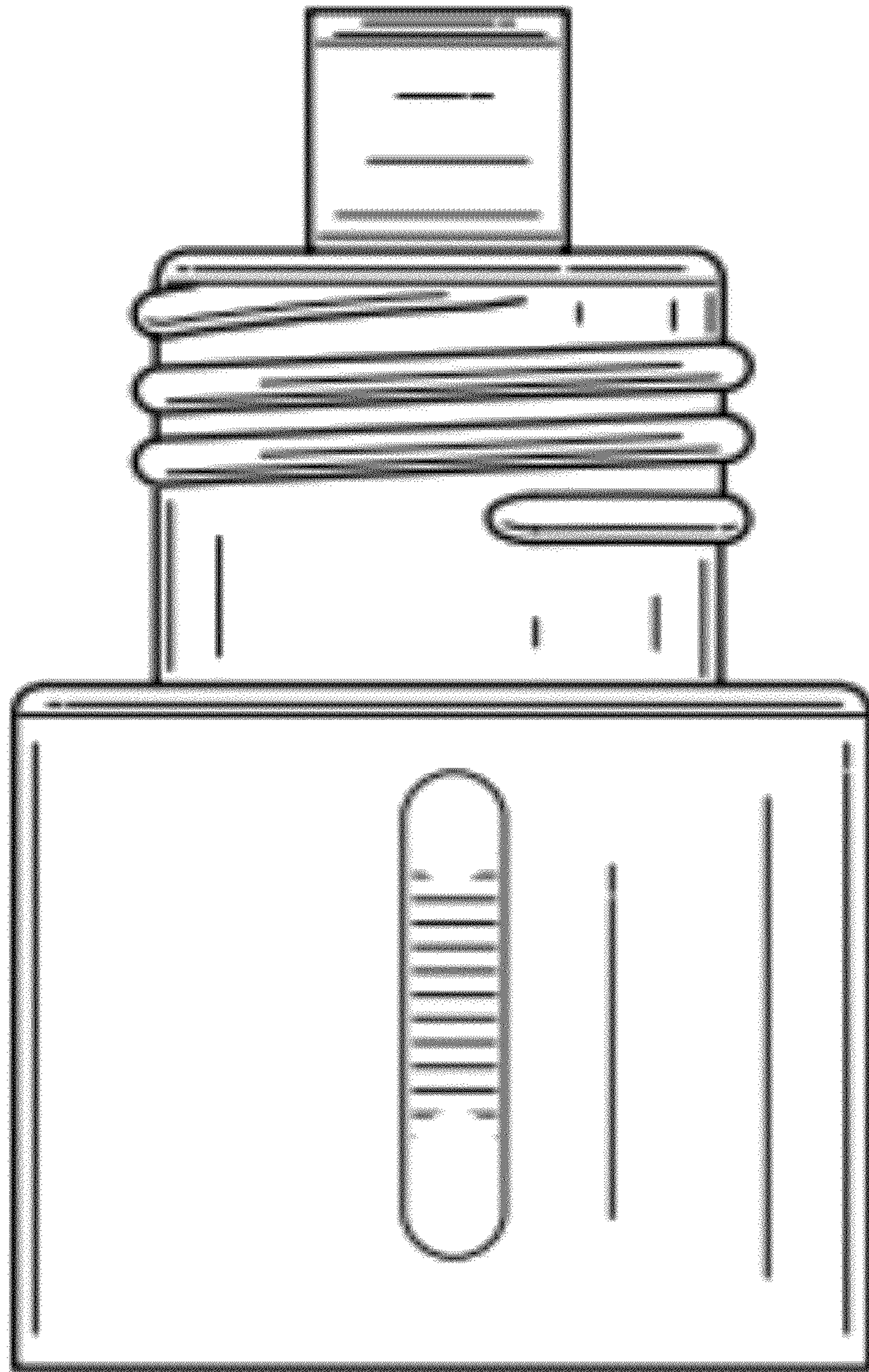


FIG. 5

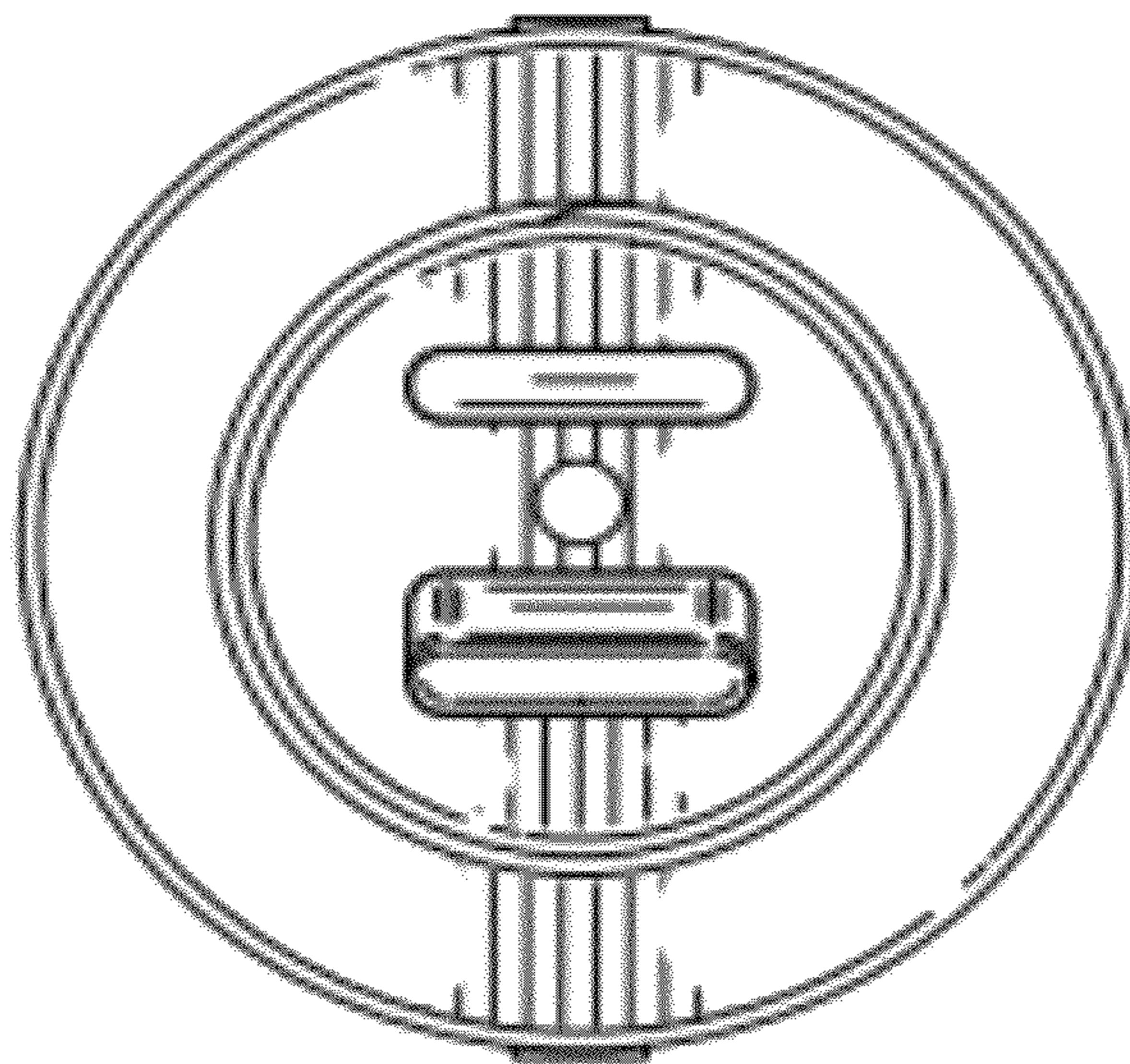


FIG. 6

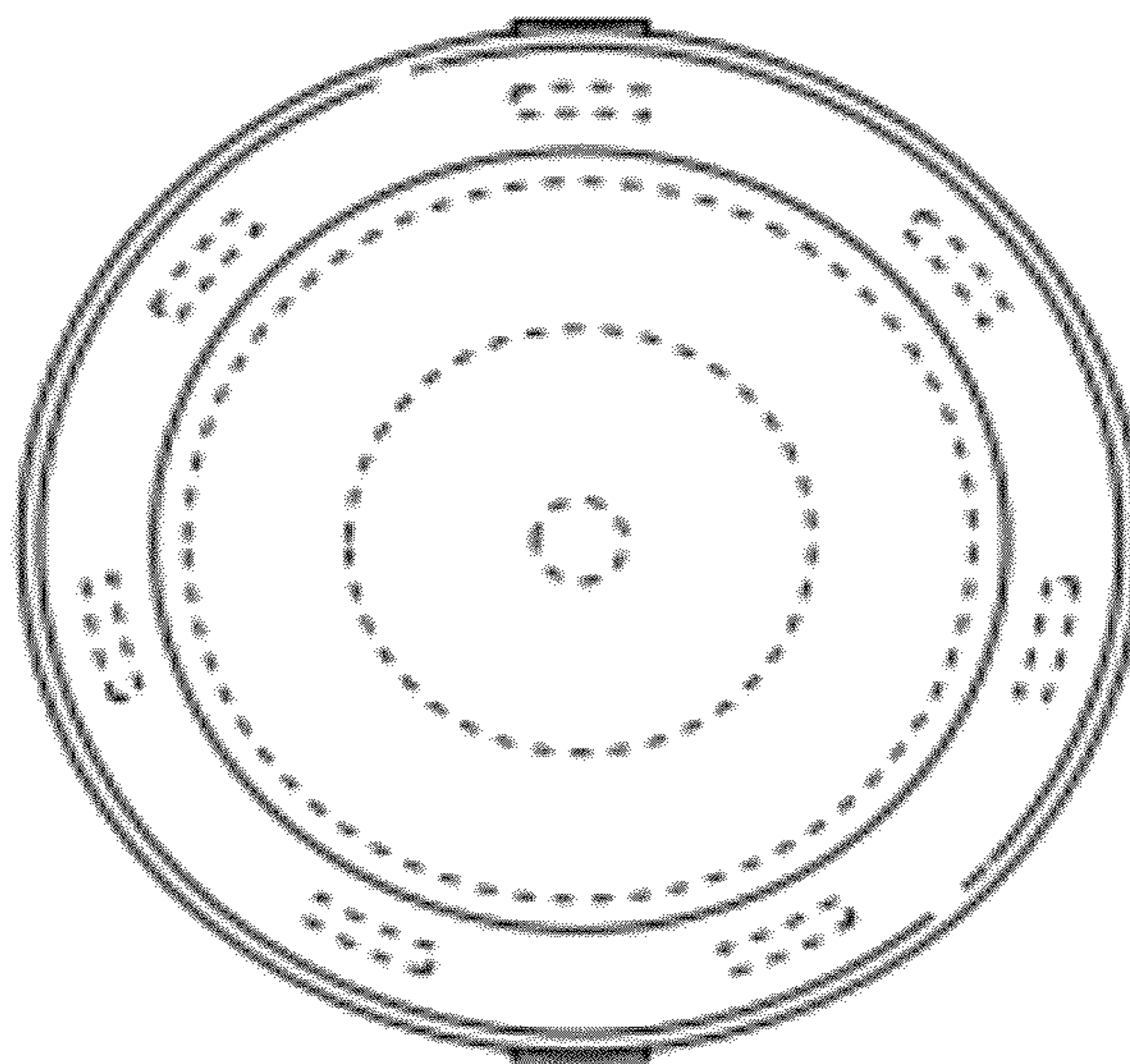


FIG. 7