

US00D666921S

(12) **United States Design Patent**
Gallagher

(10) **Patent No.:** **US D666,921 S**

(45) **Date of Patent:** **** *Sep. 11, 2012**

(54) **RE-CLOSABLE BAG WITH INTEGRATED FINGER SLEEVES**

(75) Inventor: **Robert Gallagher**, Colleyville, TX (US)

(73) Assignee: **Rockaway Tucker International, Inc.**, Grapevine, TX (US)

(*) Notice: This patent is subject to a terminal disclaimer.

(**) Term: **14 Years**

(21) Appl. No.: **29/398,624**

(22) Filed: **Aug. 2, 2011**

Related U.S. Application Data

(63) Continuation of application No. 12/893,766, filed on Sep. 29, 2010.

(51) **LOC (9) Cl.** **09-05**

(52) **U.S. Cl.** **D9/709**

(58) **Field of Classification Search** D9/702-714, D9/499, 430-433; 222/92, 107, 206, 215; 229/87.06, 87.08, 87.14; 206/260, 811, 484, 206/216; D3/303, 203.1, 203.2; D24/118, D24/121; 383/61.1, 119, 108, 103, 127; 220/666; 211/85.15; 428/35.2; D29/113, D29/114, 117.1; 2/16, 158, 159, 161.7, 163; 15/227; D30/161, 162; 294/1.3
See application file for complete search history.

(56) **References Cited**

U.S. PATENT DOCUMENTS

3,391,406 A * 7/1968 Lucas 2/161.6
D297,474 S * 8/1988 Jiracek D30/161
5,671,983 A 9/1997 Miller et al.
6,050,726 A 4/2000 Hoerl
D445,963 S 7/2001 Derosa
D533,314 S 12/2006 Schiazza
D555,009 S 11/2007 Lin
D557,148 S 12/2007 Kapinos
D563,241 S 3/2008 Nimey
D602,377 S 10/2009 Lin

D613,615 S 4/2010 Hedstrom
D617,654 S 6/2010 Tawinsook
D623,075 S 9/2010 Blythe
D623,536 S 9/2010 Bohmke
D633,809 S 3/2011 Bradley
D634,645 S 3/2011 LaFauci et al.
D644,535 S * 9/2011 Gallagher D9/709
2002/0178482 A1 12/2002 Samuelsson et al.

FOREIGN PATENT DOCUMENTS

EM 001268833-0001 3/2011
EM 001268833-0002 3/2011
EM 001268833-0003 3/2011
EM 001268833-0004 3/2011
WO WO 91/03954 4/1991

OTHER PUBLICATIONS

U.S. Appl. No. 12/893,766, filed Sep. 29, 2010.
U.S. Appl. No. 29/376,649, filed Oct. 8, 2010.
Notice of Allowance in U.S. Appl. No. 29/376,649 mailed on May 10, 2011.
Notification of Transmittal of the International Search Report and The Written Opinion of the International Searching Authority, or the Declaration in PCT International Application Serial No. PCT/US2011/053789 mailed on Dec. 16, 2011.

* cited by examiner

Primary Examiner — Caron D Veynar
Assistant Examiner — Abraham Bahta
(74) *Attorney, Agent, or Firm* — Patent Capital Group

(57) **CLAIM**

The ornamental design for a re-closable bag with integrated finger sleeves, as shown and described.

DESCRIPTION

This design patent application claims priority to U.S. utility patent application, Ser. No. 12/893,766, filed Sep. 29, 2010, entitled "Re-closable Container with Integrated Fingers."
FIG. 1 is a perspective view of a first embodiment of a bag with integrated finger sleeves showing the top, front, and left sides thereof, the bag illustrated in a first condition;
FIG. 2 is a perspective view of the bag of FIG. 1, showing the bottom, front, and right sides thereof, the bag illustrated in a first condition;
FIG. 3 is a front plan view of the bag of FIG. 1, the bag illustrated in a first condition;

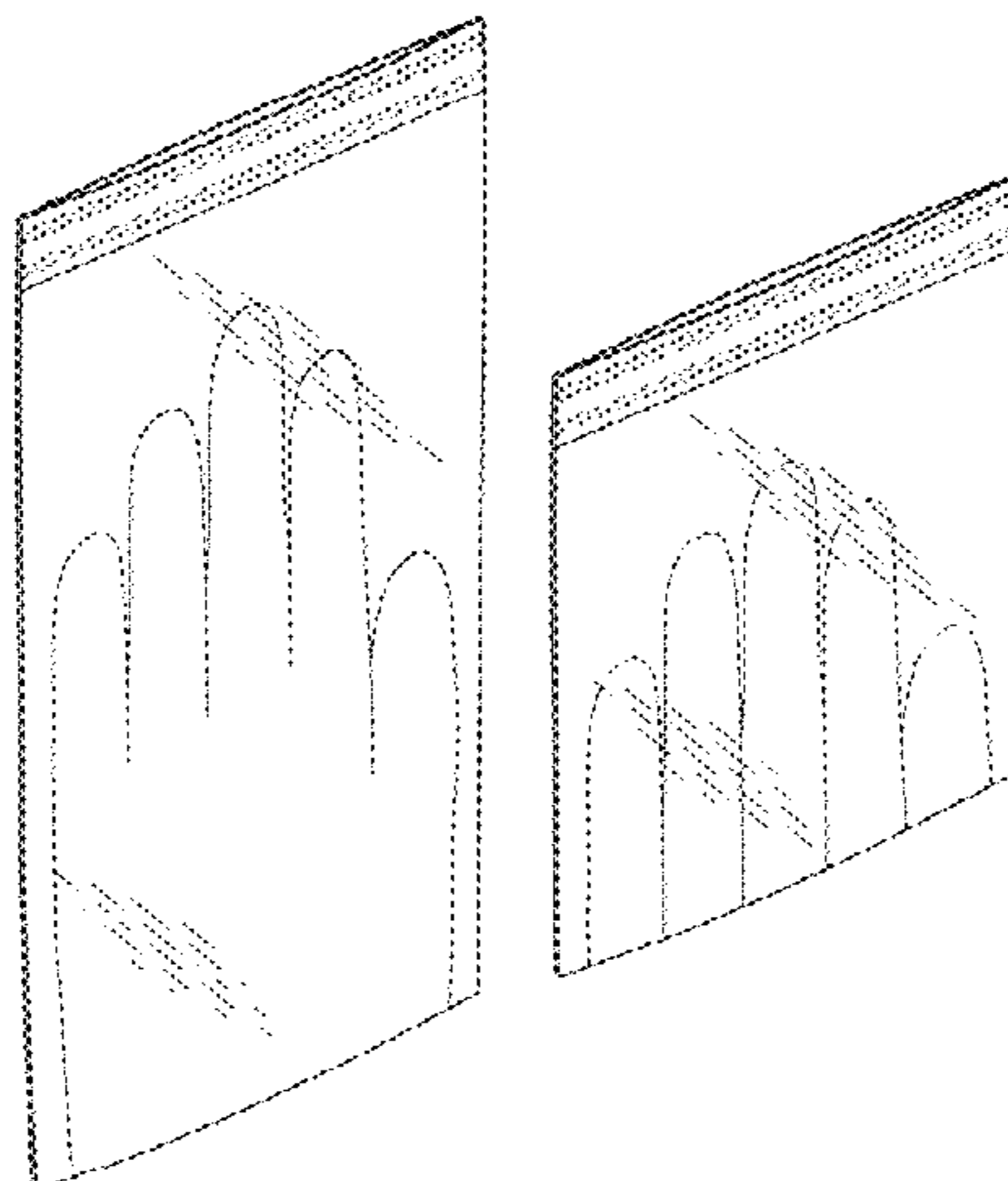


FIG. 4 is a rear plan view of the bag of FIG. 1, the bag illustrated in a first condition;

FIG. 5 is a perspective view of the bag of FIG. 1, showing the top, left, and front sides thereof, the bag illustrated in a second condition;

FIG. 6 is a perspective view of the bag of FIG. 1, showing the top, right, and rear sides thereof, the bag illustrated in a second condition;

FIG. 7 is a right side view of the bag of FIG. 1, the bag illustrated in a second condition;

FIG. 8 is a left side view of the bag of FIG. 1, the bag illustrated in a second condition;

FIG. 9 is a bottom side view of the bag of FIG. 1, the bag illustrated in a second condition;

FIG. 10 is a top side view of the bag of FIG. 1, the bag illustrated in a second condition;

FIG. 11 is a perspective view of the bag of FIG. 1, showing the top, left, and front sides thereof, the bag illustrated in a third condition;

FIG. 12 is a perspective view of the bag of FIG. 1, showing the bottom, right, and rear sides thereof, the bag illustrated in a third condition;

FIG. 13 is a perspective view of the bag of FIG. 1, showing the rear and left sides thereof, the bag illustrated in a fourth condition;

FIG. 14 is a perspective view of the bag of FIG. 1, showing the front and top sides thereof, the bag illustrated in a fourth condition;

FIG. 15 is a front plan view of the bag of FIG. 1, the bag illustrated in a fourth condition;

FIG. 16 is a rear plan view of the bag of FIG. 1, the bag illustrated in a fourth condition;

FIG. 17 is a right side view of the bag of FIG. 1, the bag illustrated in a fourth condition;

FIG. 18 is a left side view of the bag of FIG. 1, the bag illustrated in a fourth condition;

FIG. 19 is a perspective view of a second embodiment of a bag with integrated finger sleeves showing the top, front, and left sides thereof, the bag illustrated in a first condition;

FIG. 20 is a perspective view of the bag of FIG. 19, showing the bottom, front, and right sides thereof, the bag illustrated in a first condition;

FIG. 21 is a front plan view of the bag of FIG. 19, the bag illustrated in a first condition;

FIG. 22 is a rear plan view of the bag of FIG. 19, the bag illustrated in a first condition;

FIG. 23 is a perspective view of the bag of FIG. 19, showing the top, left, and front sides thereof, the bag illustrated in a second condition;

FIG. 24 is a perspective view of the bag of FIG. 19, showing the top, right, and rear sides thereof, the bag illustrated in a second condition;

FIG. 25 is a right side view of the bag of FIG. 19, the bag illustrated in a second condition;

FIG. 26 is a left side view of the bag of FIG. 19, the bag illustrated in a second condition;

FIG. 27 is a bottom side view of the bag of FIG. 19, the bag illustrated in a second condition;

FIG. 28 is a top side view of the bag of FIG. 19, the bag illustrated in a second condition;

FIG. 29 is a perspective view of the bag of FIG. 19, showing the top, left, and front sides thereof, the bag illustrated in a third condition;

FIG. 30 is a perspective view of the bag of FIG. 19, showing the bottom, right, and rear sides thereof, the bag illustrated in a third condition;

FIG. 31 is a perspective view of a third embodiment of a bag with integrated finger sleeves showing the top, front, and left sides thereof, the bag illustrated in a first condition;

FIG. 32 is a perspective view of the bag of FIG. 31, showing the bottom, front, and right sides thereof, the bag illustrated in a first condition;

FIG. 33 is a front plan view of the bag of FIG. 31, the bag illustrated in a first condition;

FIG. 34 is a rear plan view of the bag of FIG. 31, the bag illustrated in a first condition;

FIG. 35 is a perspective view of the bag of FIG. 31, showing the top, left, and front sides thereof, the bag illustrated in a second condition;

FIG. 36 is a perspective view of the bag of FIG. 31, showing the top, right, and rear sides thereof, the bag illustrated in a second condition;

FIG. 37 is a right side view of the bag of FIG. 31, the bag illustrated in a second condition;

FIG. 38 is a left side view of the bag of FIG. 31, the bag illustrated in a second condition;

FIG. 39 is a bottom side view of the bag of FIG. 31, the bag illustrated in a second condition;

FIG. 40 is a top side view of the bag of FIG. 31, the bag illustrated in a second condition;

FIG. 41 is a perspective view of the bag of FIG. 31, showing the top, left, and front sides thereof, the bag illustrated in a third condition;

FIG. 42 is a perspective view of the bag of FIG. 31, showing the bottom, right, and rear sides thereof, the bag illustrated in a third condition;

FIG. 43 is a perspective view of a fourth embodiment of a bag with integrated finger sleeves showing the top, front, and left sides thereof, the bag illustrated in a first condition;

FIG. 44 is a perspective view of the bag of FIG. 43, showing the bottom, front, and right sides thereof, the bag illustrated in a first condition;

FIG. 45 is a front plan view of the bag of FIG. 43, the bag illustrated in a first condition;

FIG. 46 is a rear plan view of the bag of FIG. 43, the bag illustrated in a first condition;

FIG. 47 is a perspective view of the bag of FIG. 43, showing the top, left, and front sides thereof, the bag illustrated in a second condition;

FIG. 48 is a perspective view of the bag of FIG. 43, showing the top, right, and rear sides thereof, the bag illustrated in a second condition;

FIG. 49 is a right side view of the bag of FIG. 43, the bag illustrated in a second condition;

FIG. 50 is a left side view of the bag of FIG. 43, the bag illustrated in a second condition;

FIG. 51 is a bottom side view of the bag of FIG. 43, the bag illustrated in a second condition;

FIG. 52 is a top side view of the bag of FIG. 43, the bag illustrated in a second condition;

FIG. 53 is a perspective view of the bag of FIG. 43, showing the top, left, and front sides thereof, the bag illustrated in a third condition; and,

FIG. 54 is a perspective view of the bag of FIG. 43, showing the bottom, right, and rear sides thereof, the bag illustrated in a third condition.

The broken lines are for environmental purposes only and form no part of the claimed design.

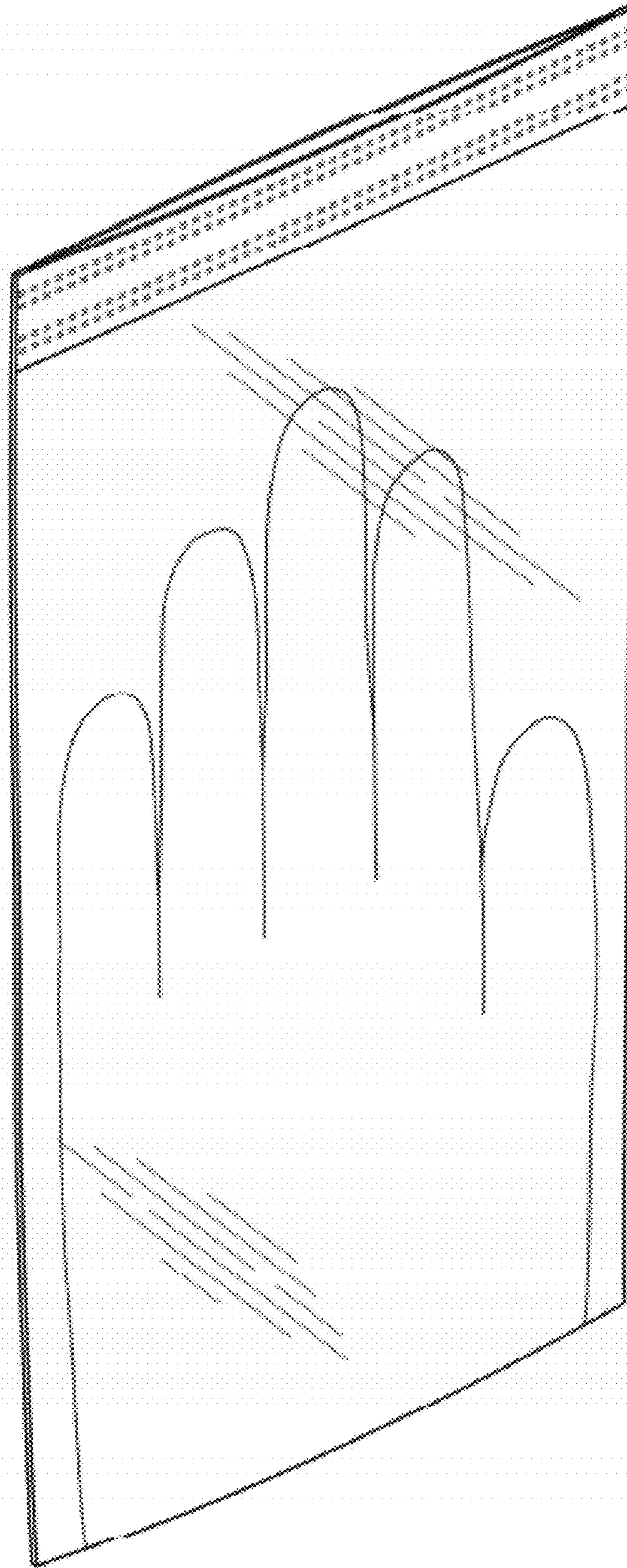


FIG. 1

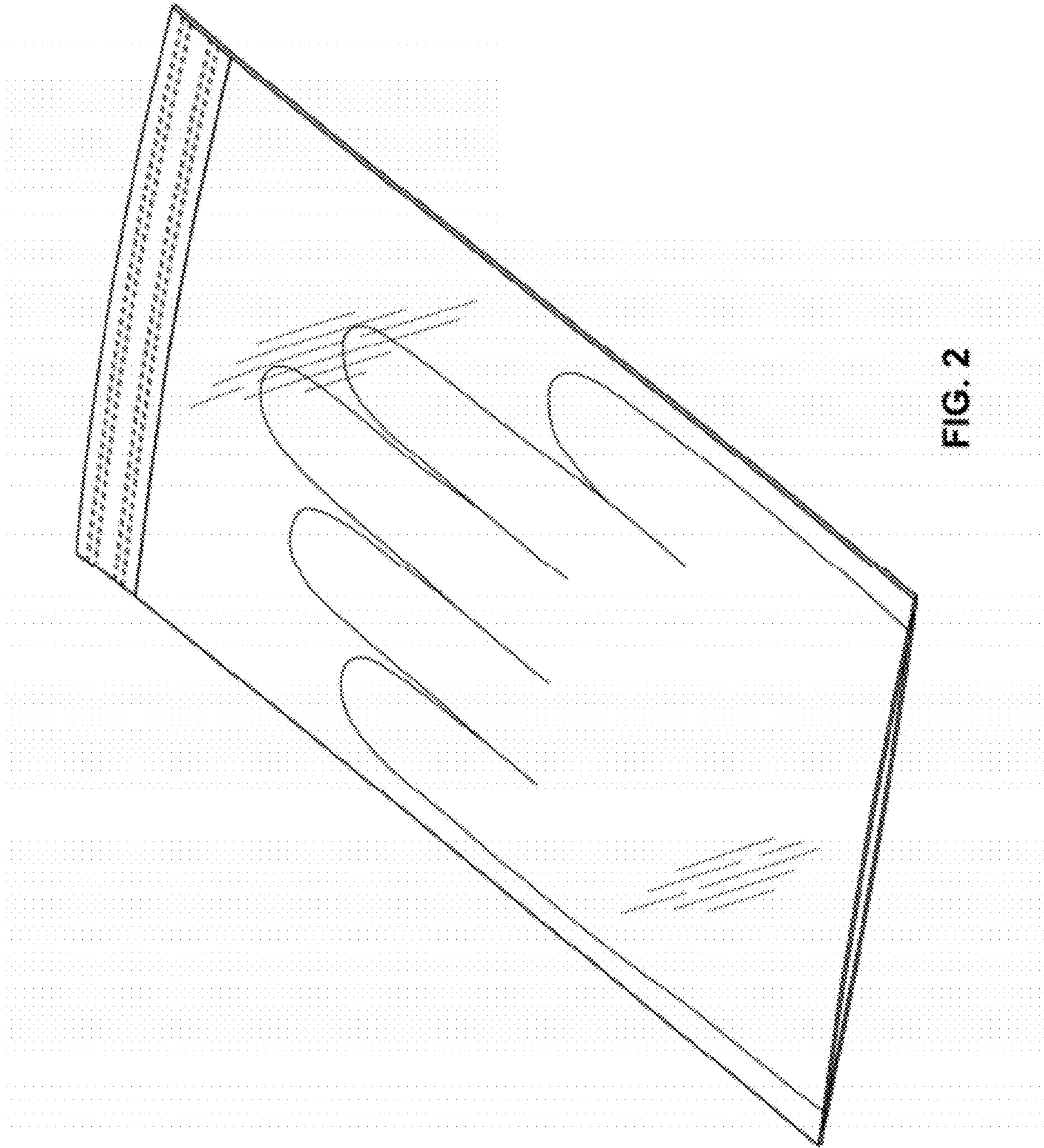


FIG. 2

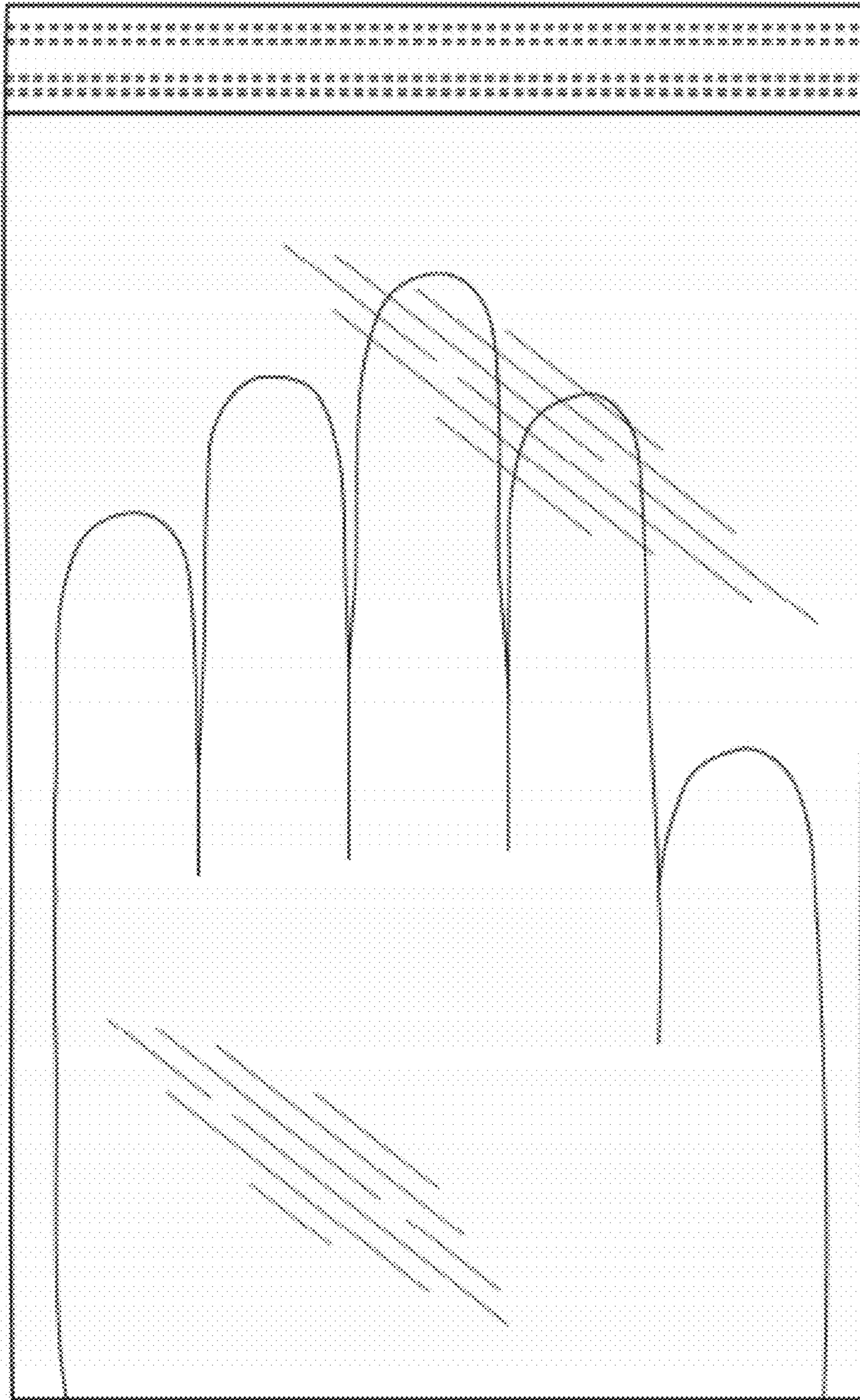


FIG. 3

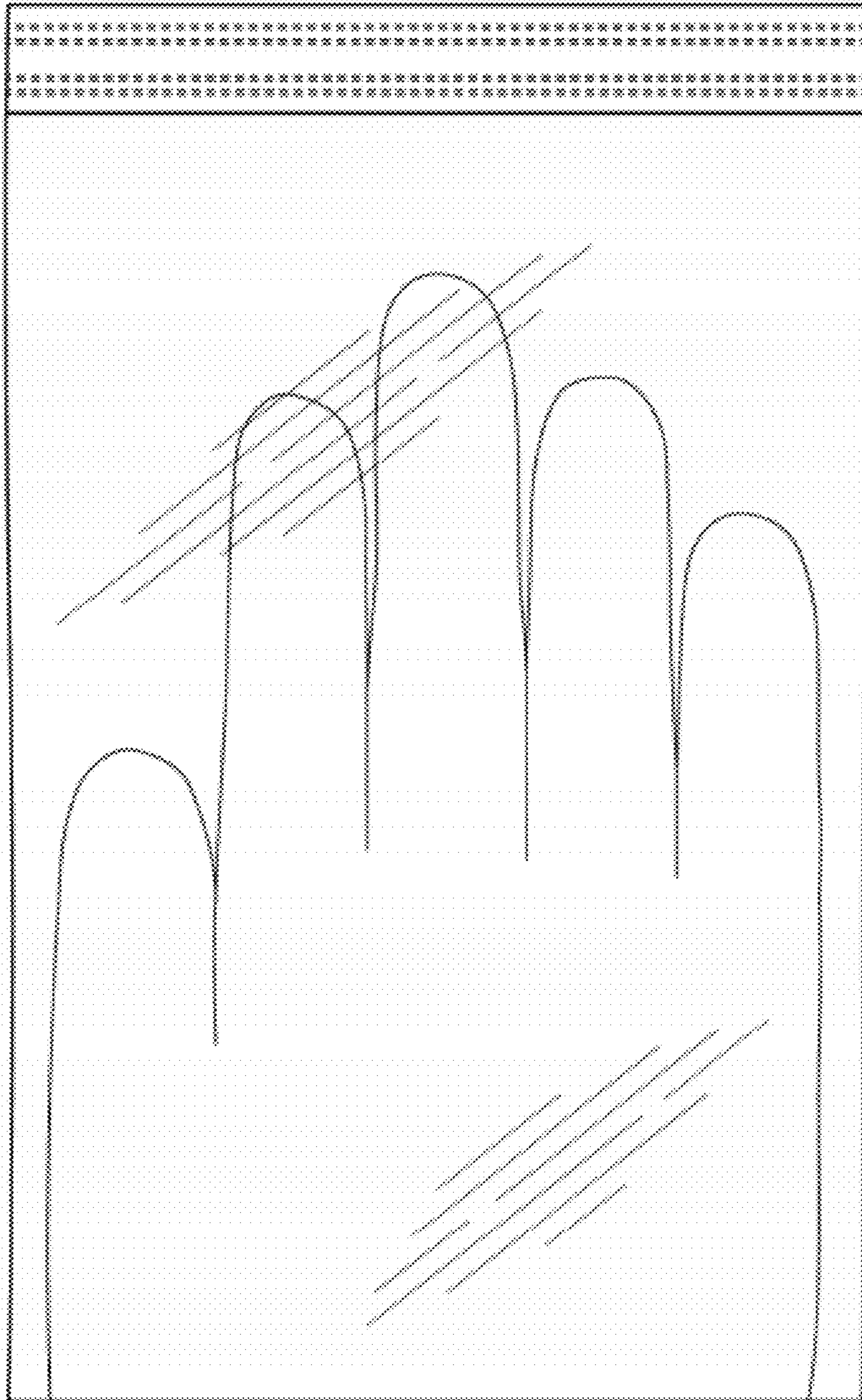


FIG. 4

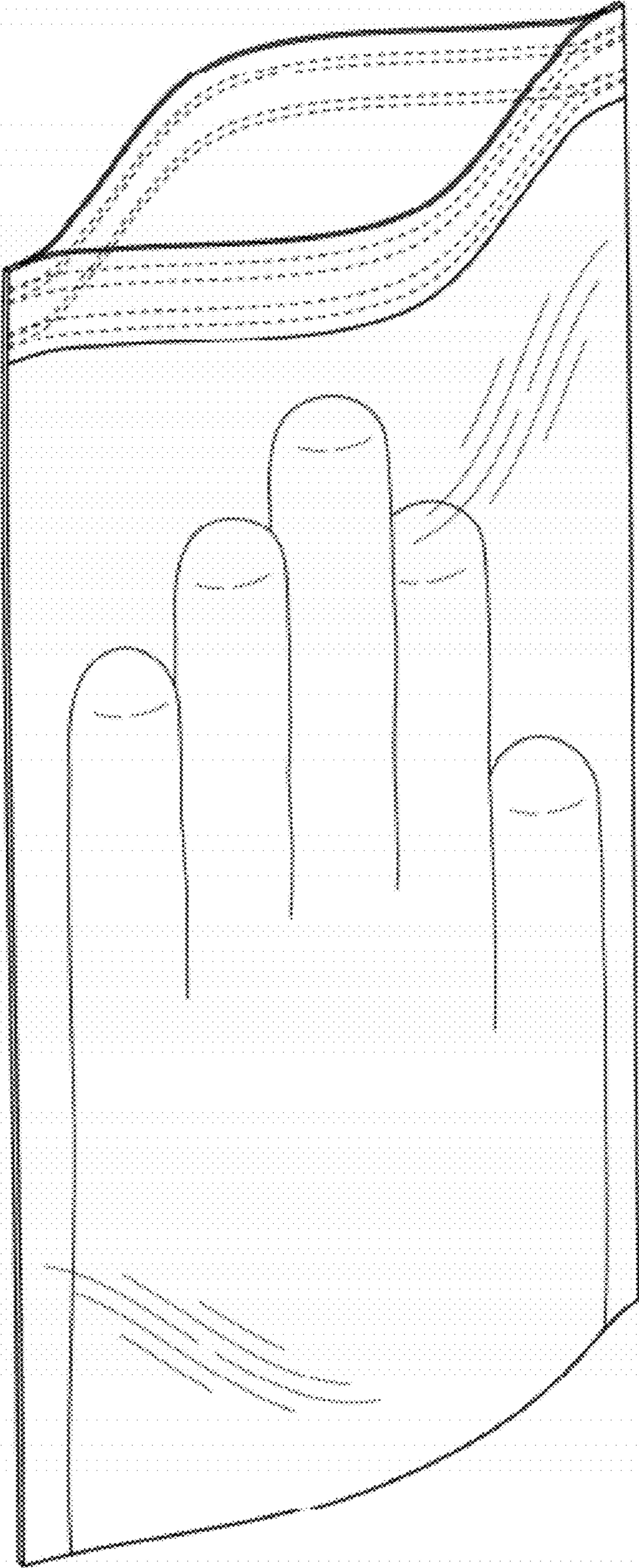


FIG. 5

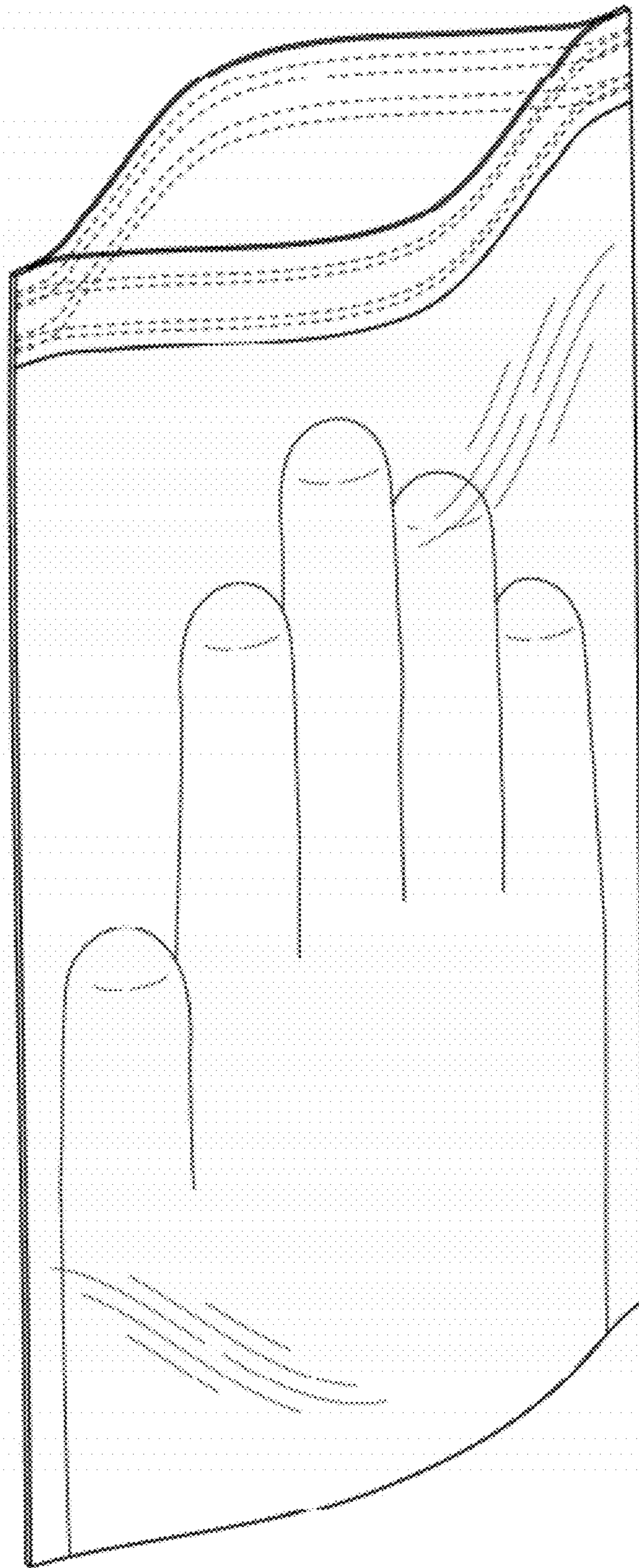


FIG. 6

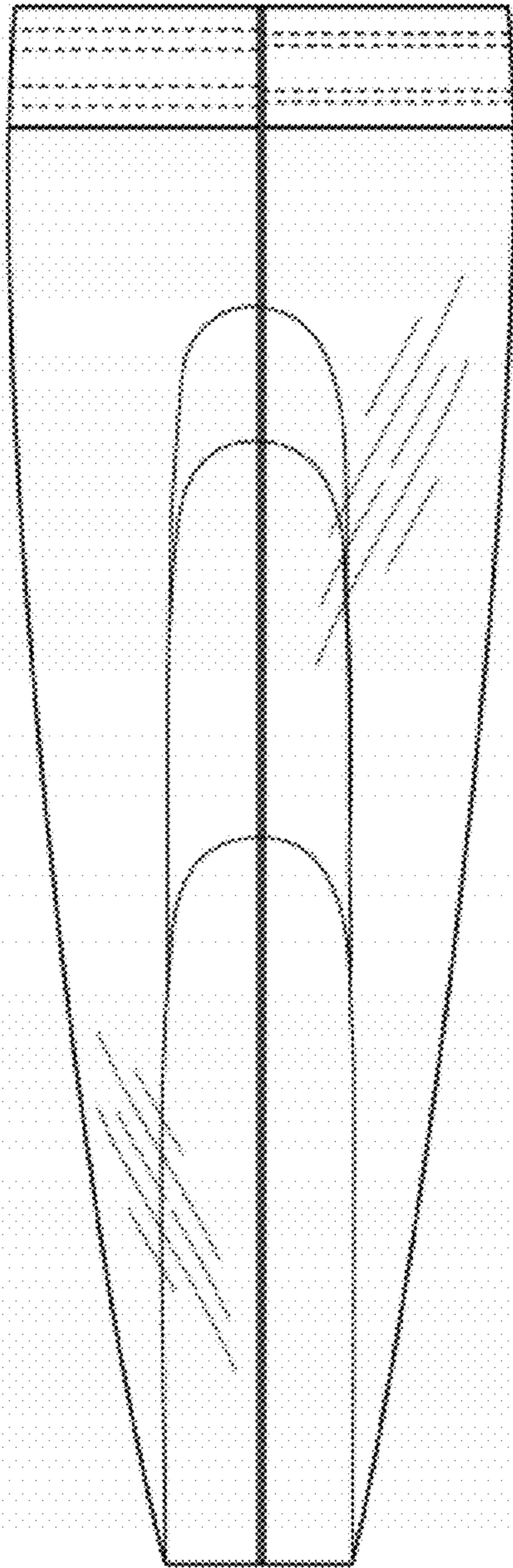


FIG. 7

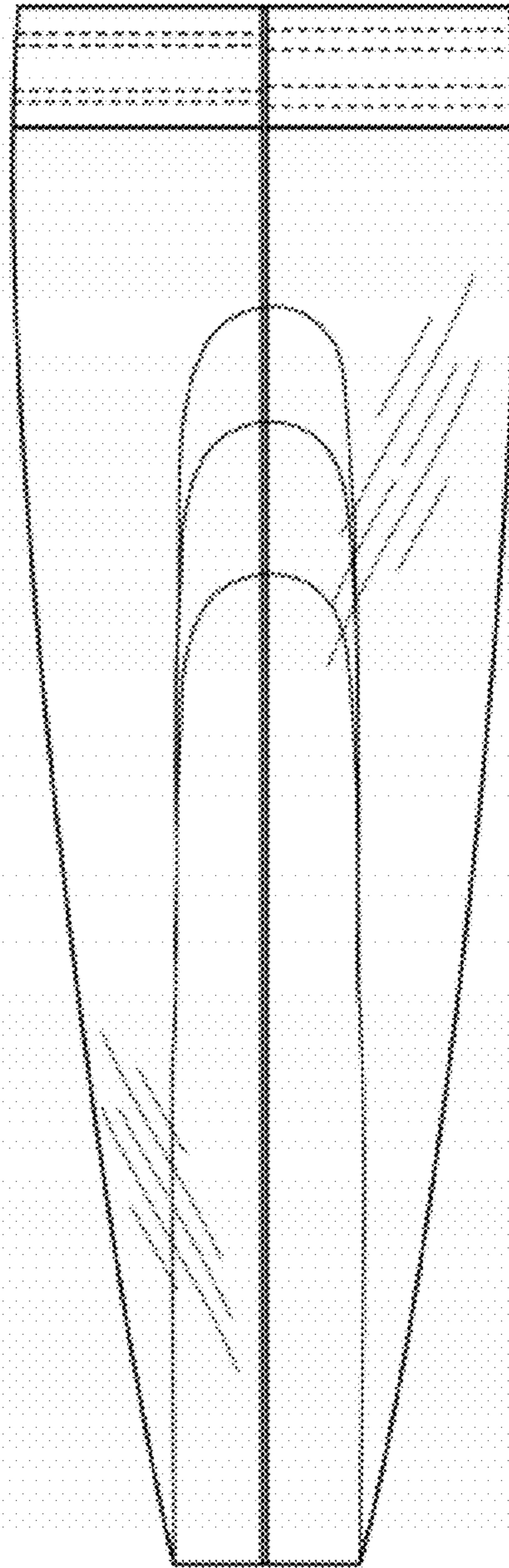


FIG. 8

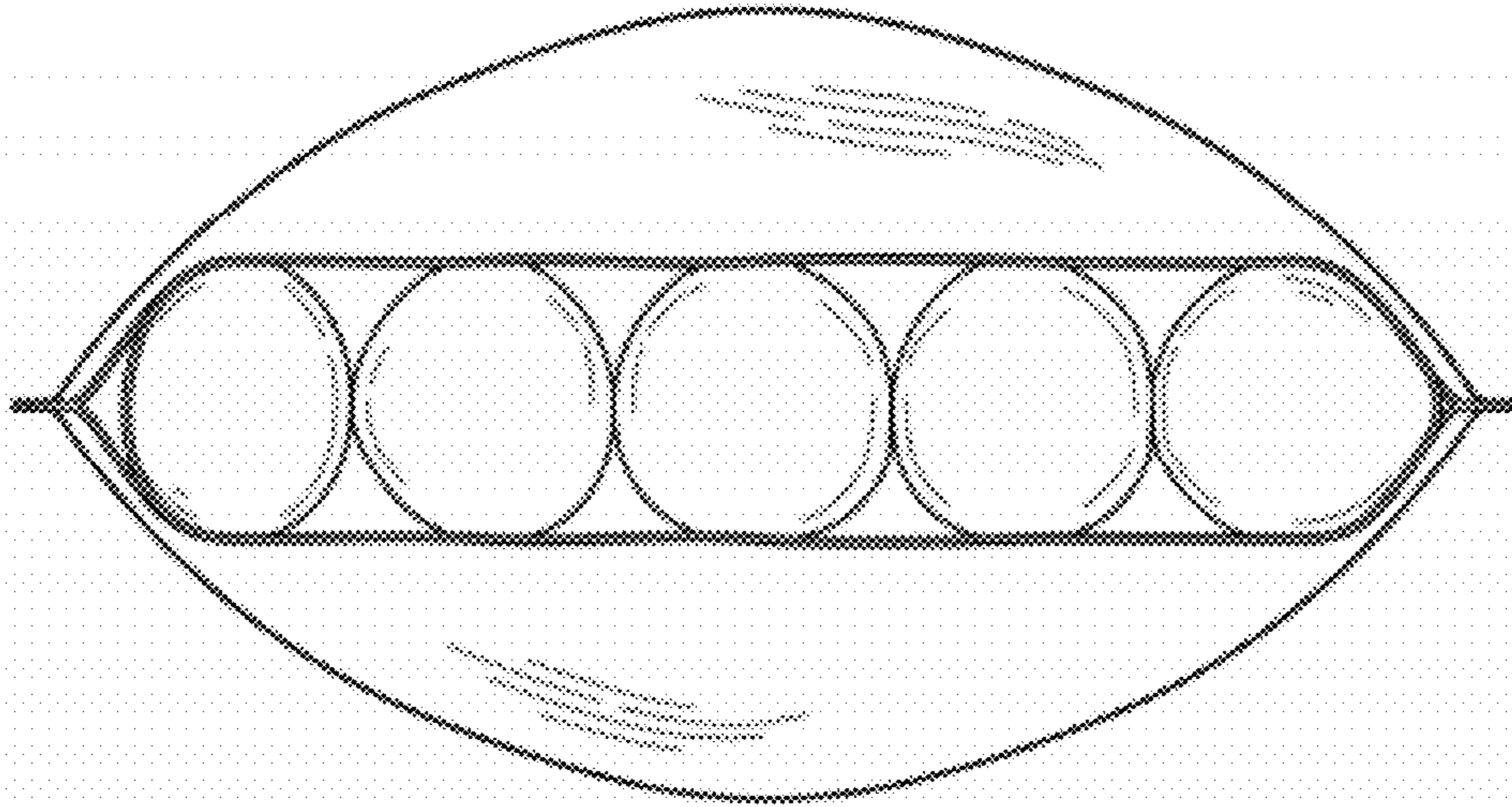


FIG. 9

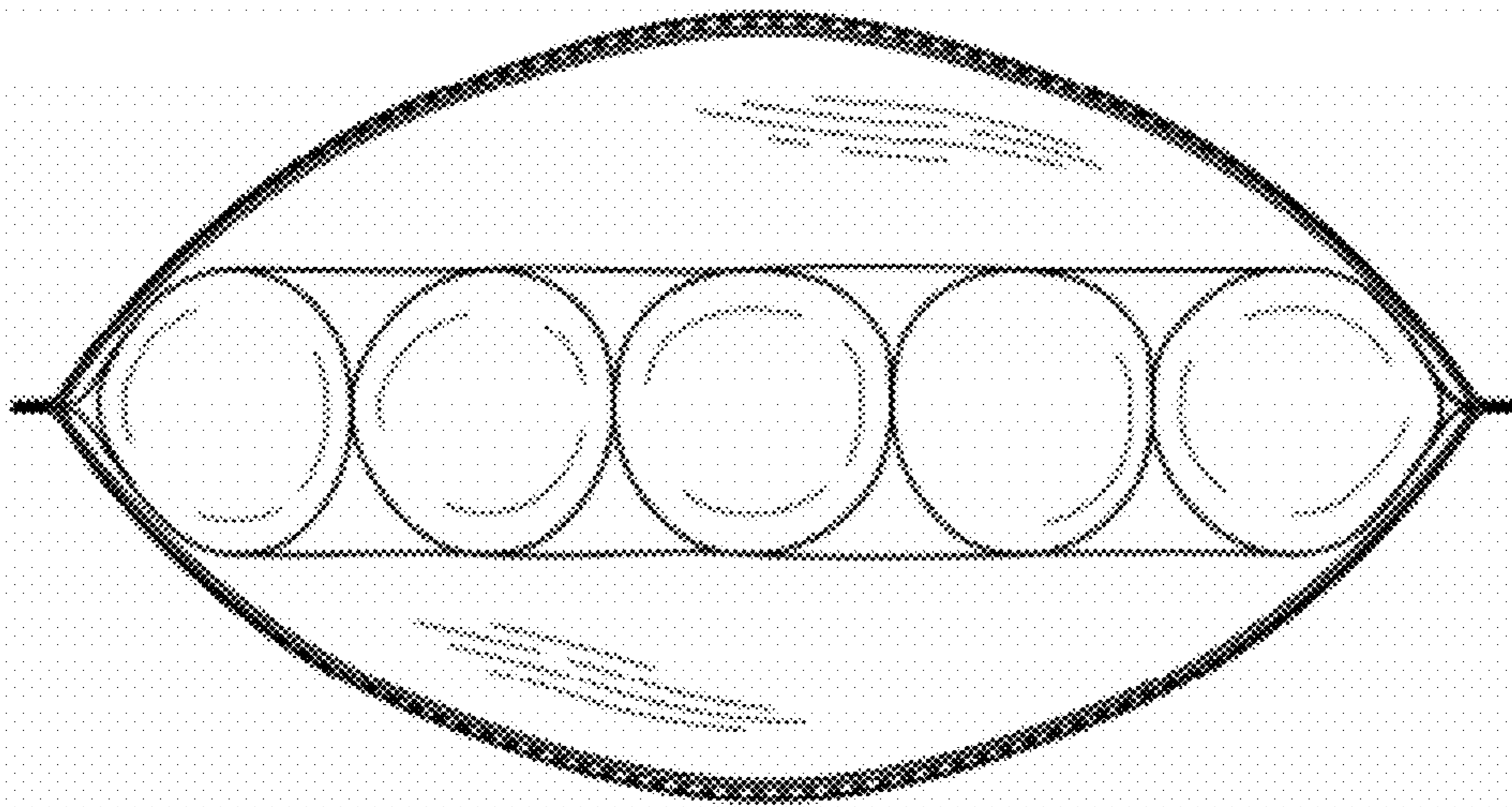


FIG. 10

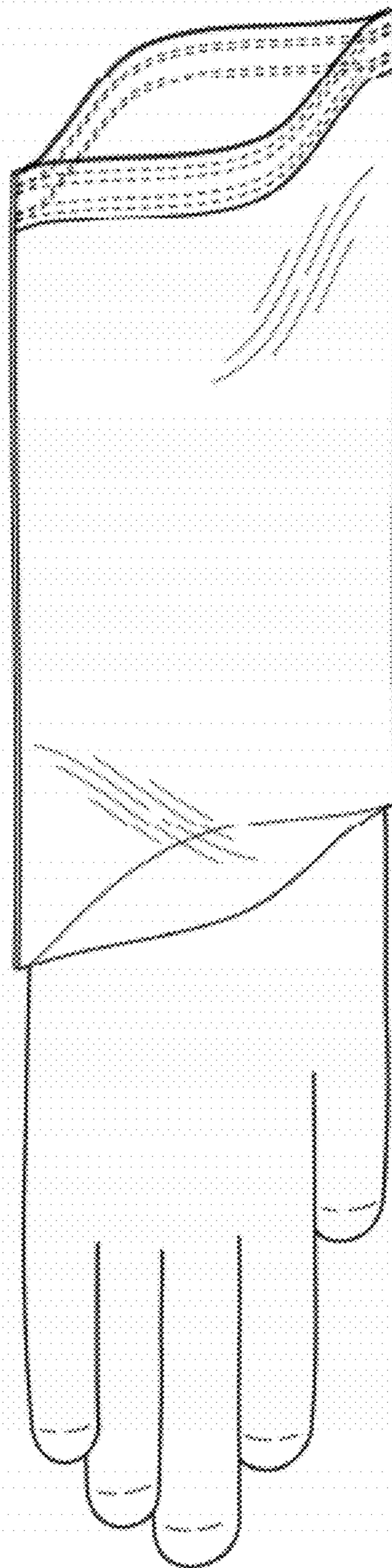


FIG. 11

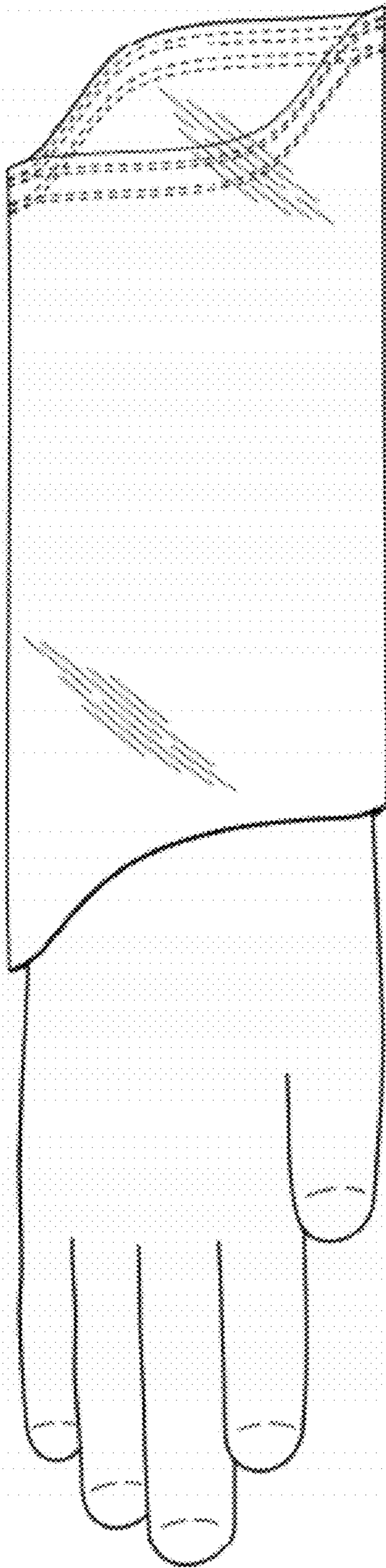


FIG. 12

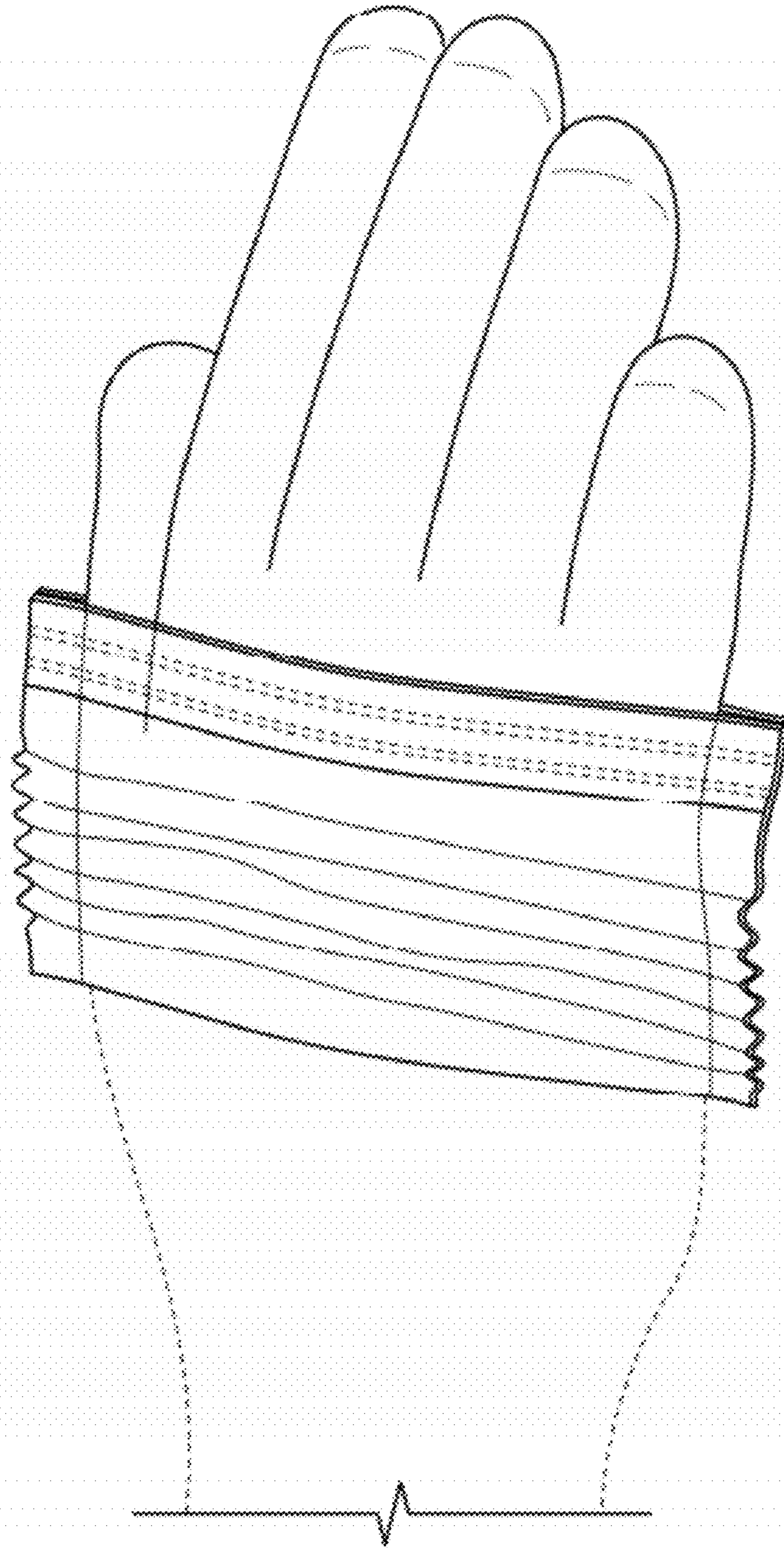


FIG. 13

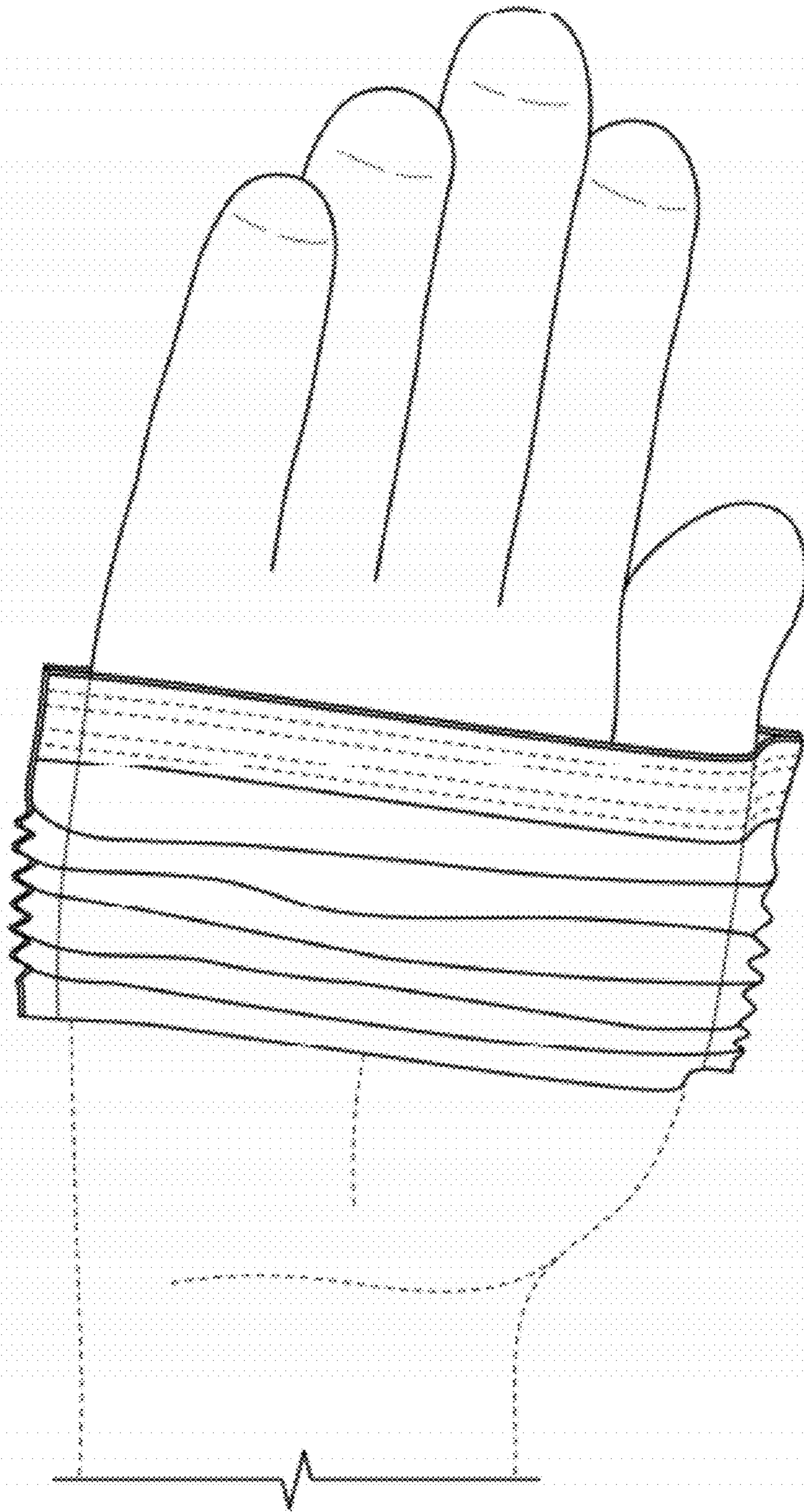


FIG. 14

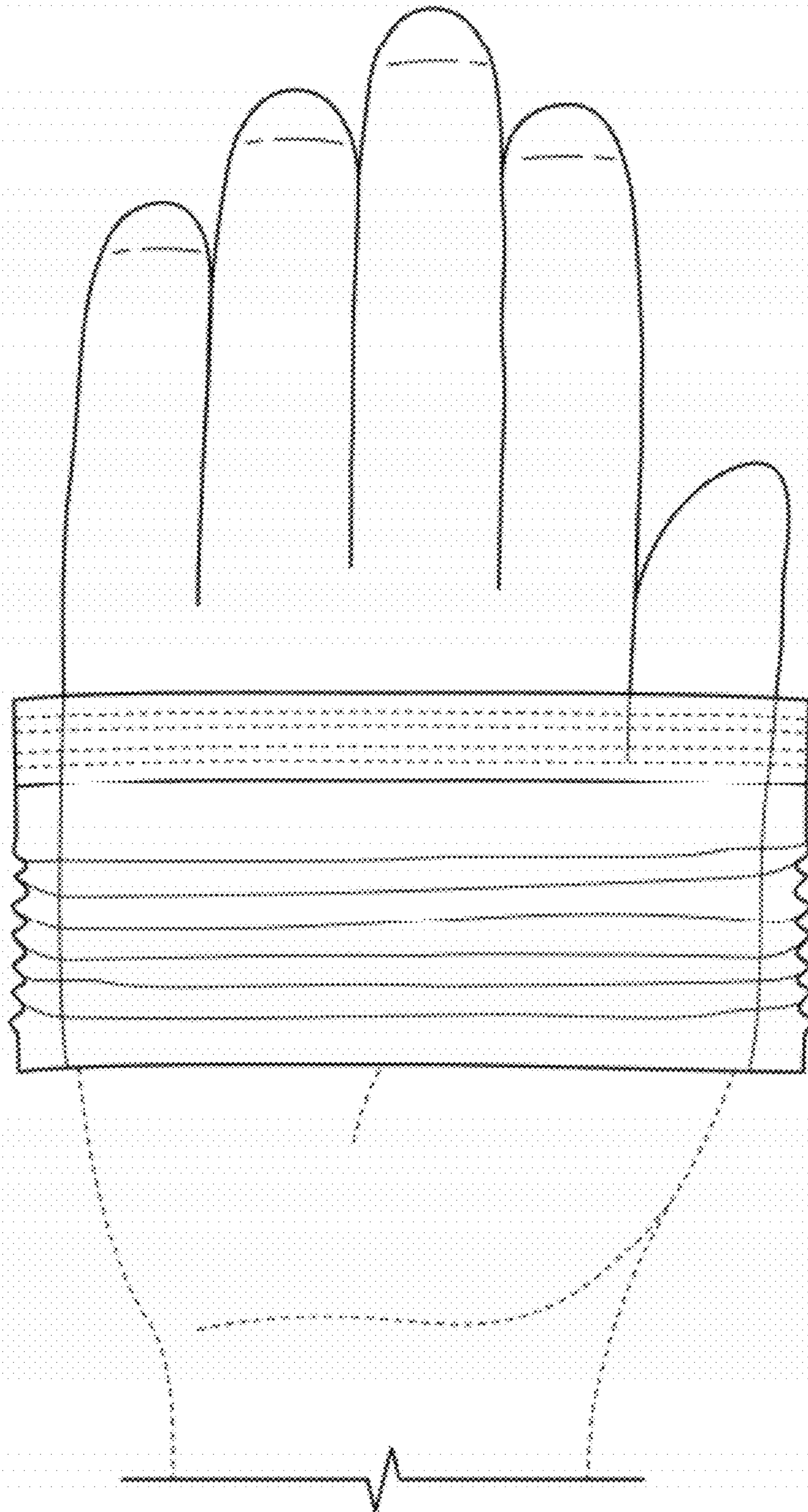


FIG. 15

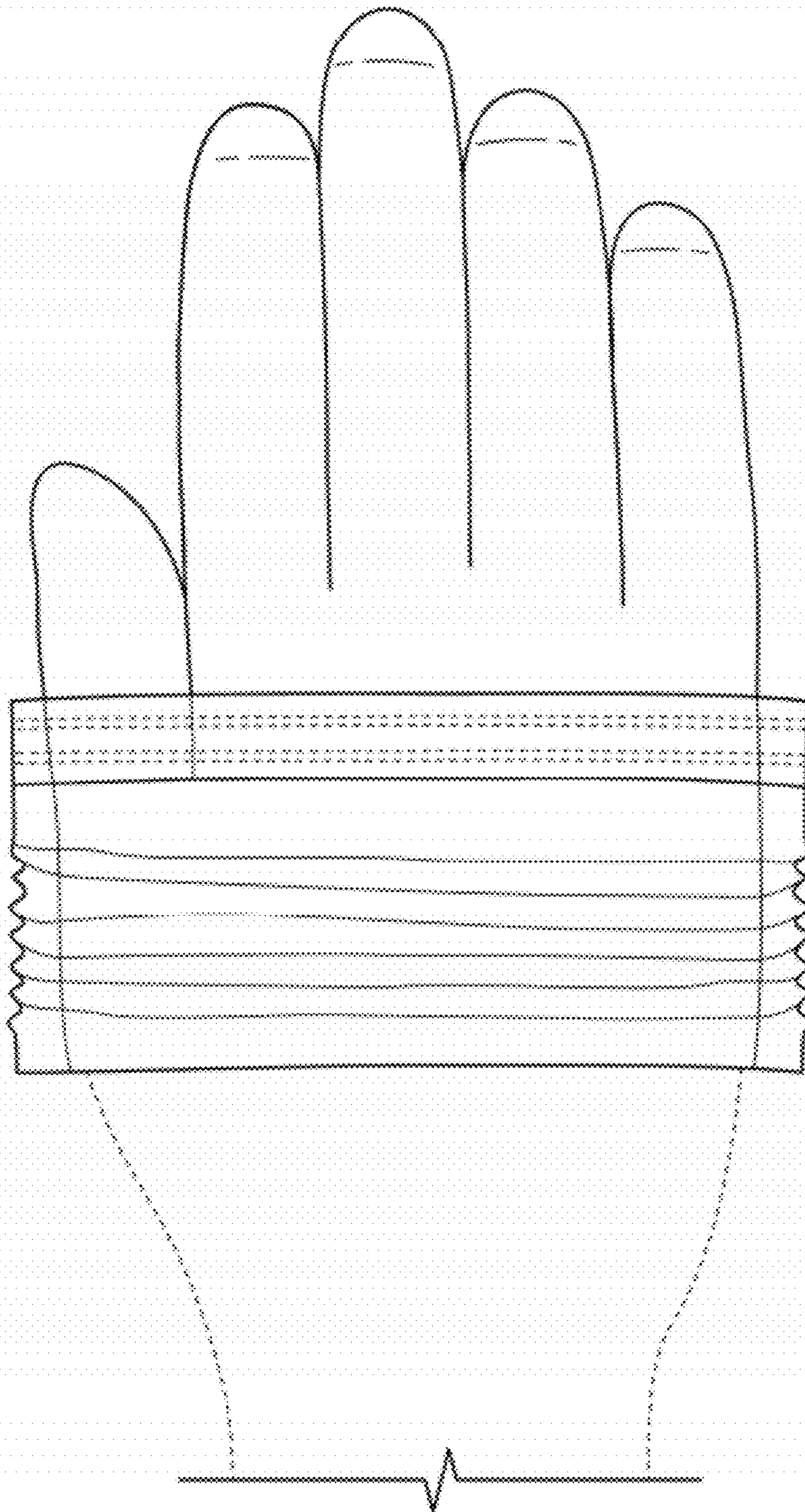


FIG. 16

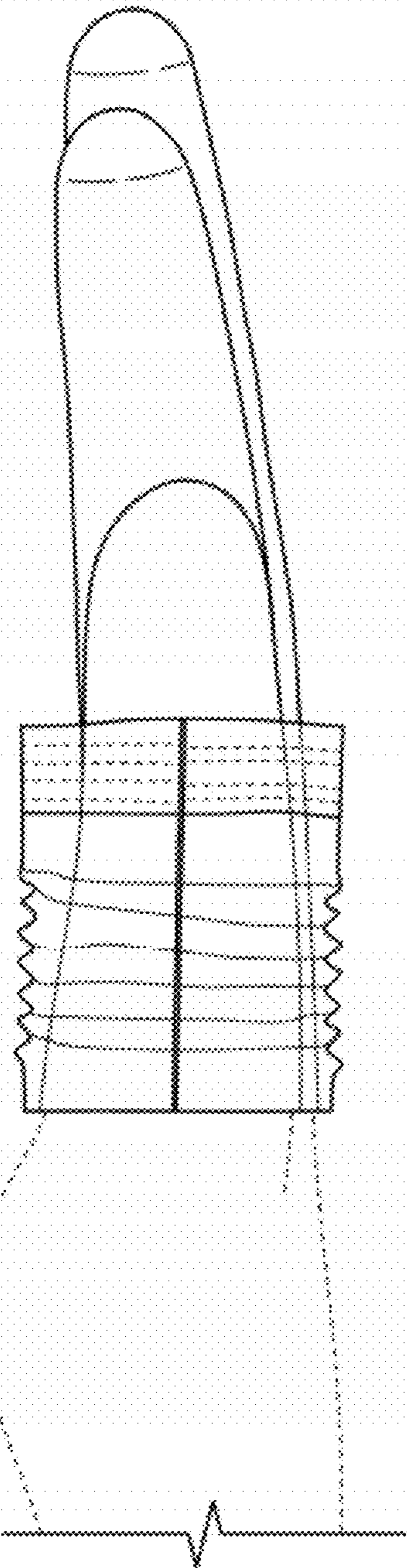


FIG. 17

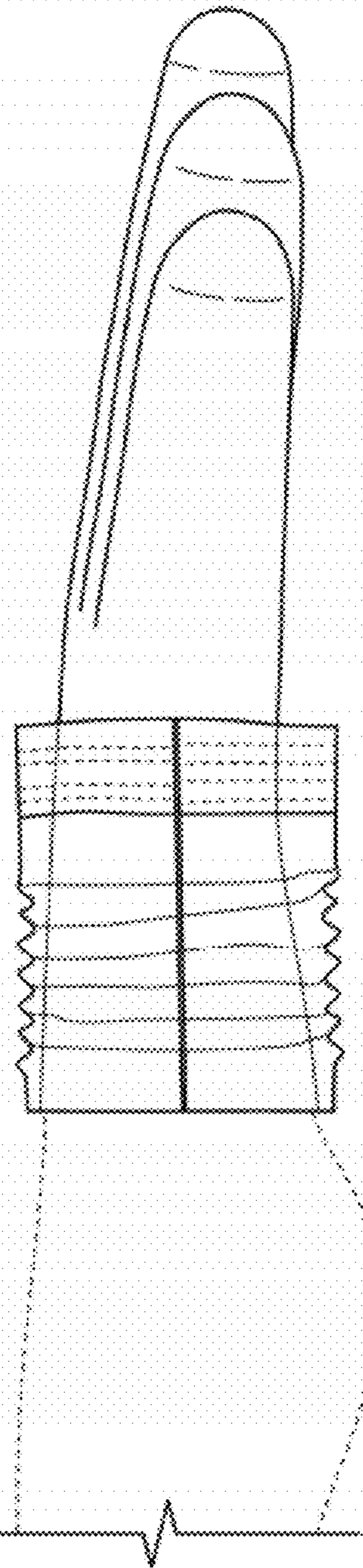


FIG. 18

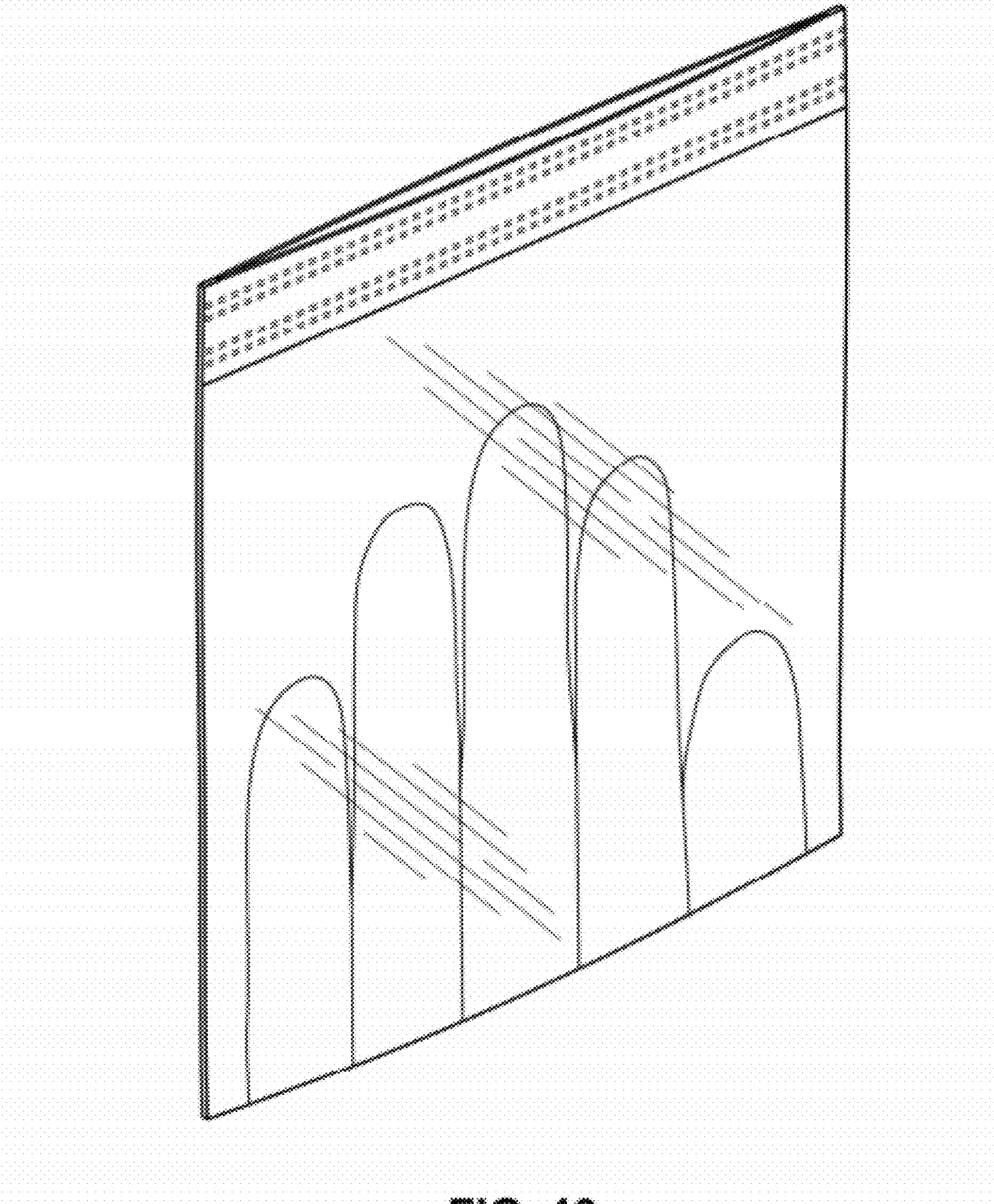


FIG. 19

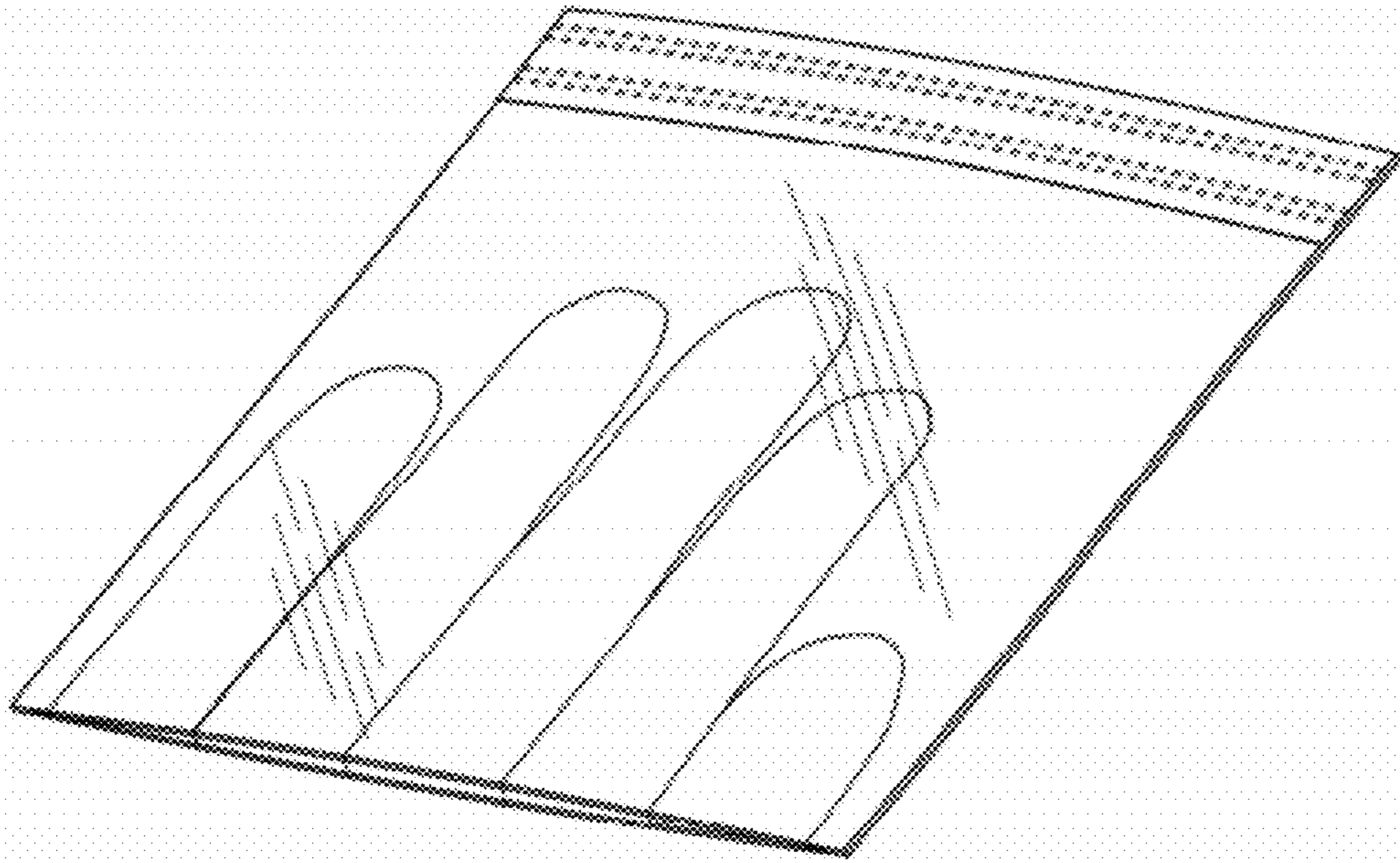


FIG. 20

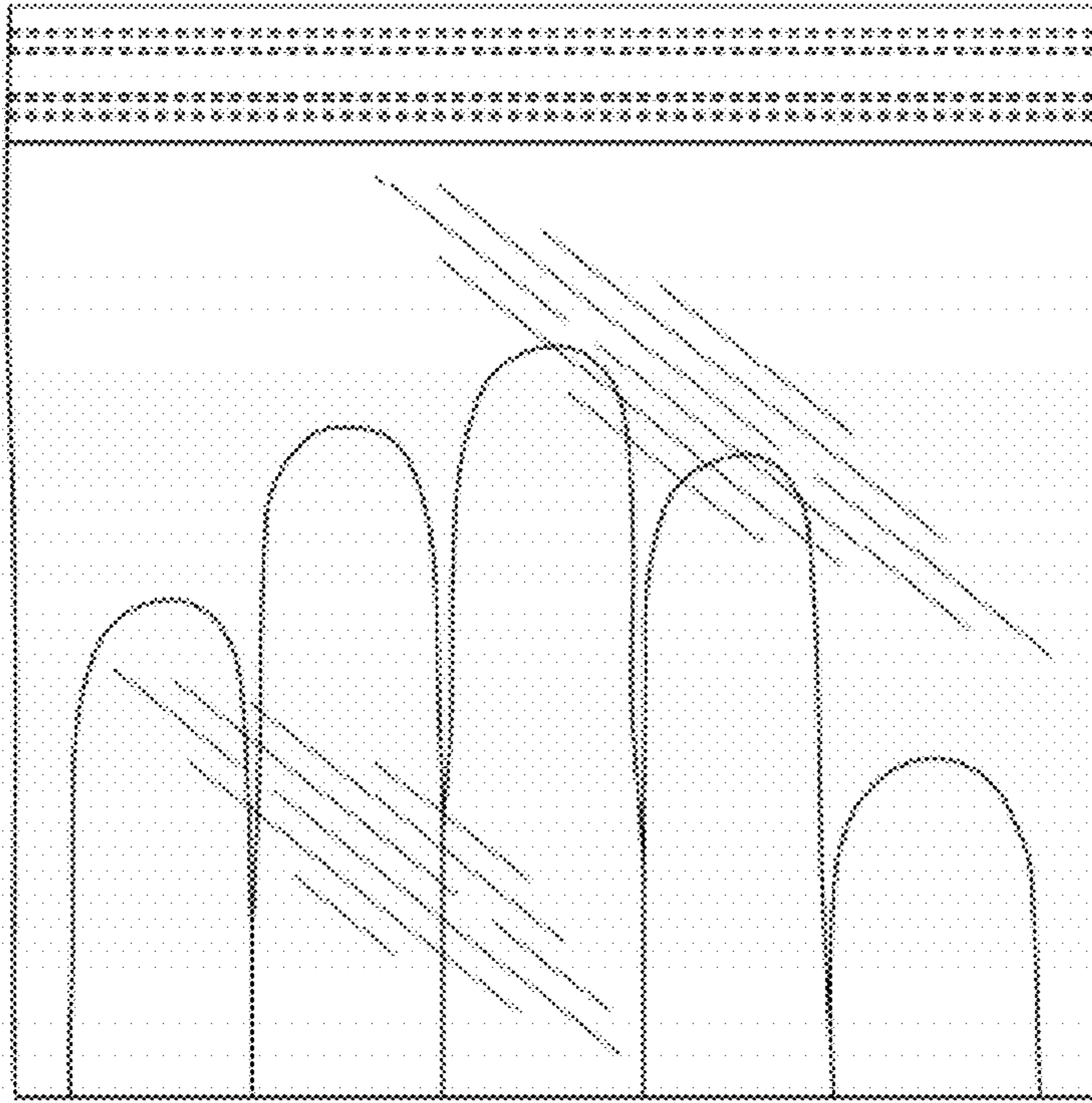


FIG. 21

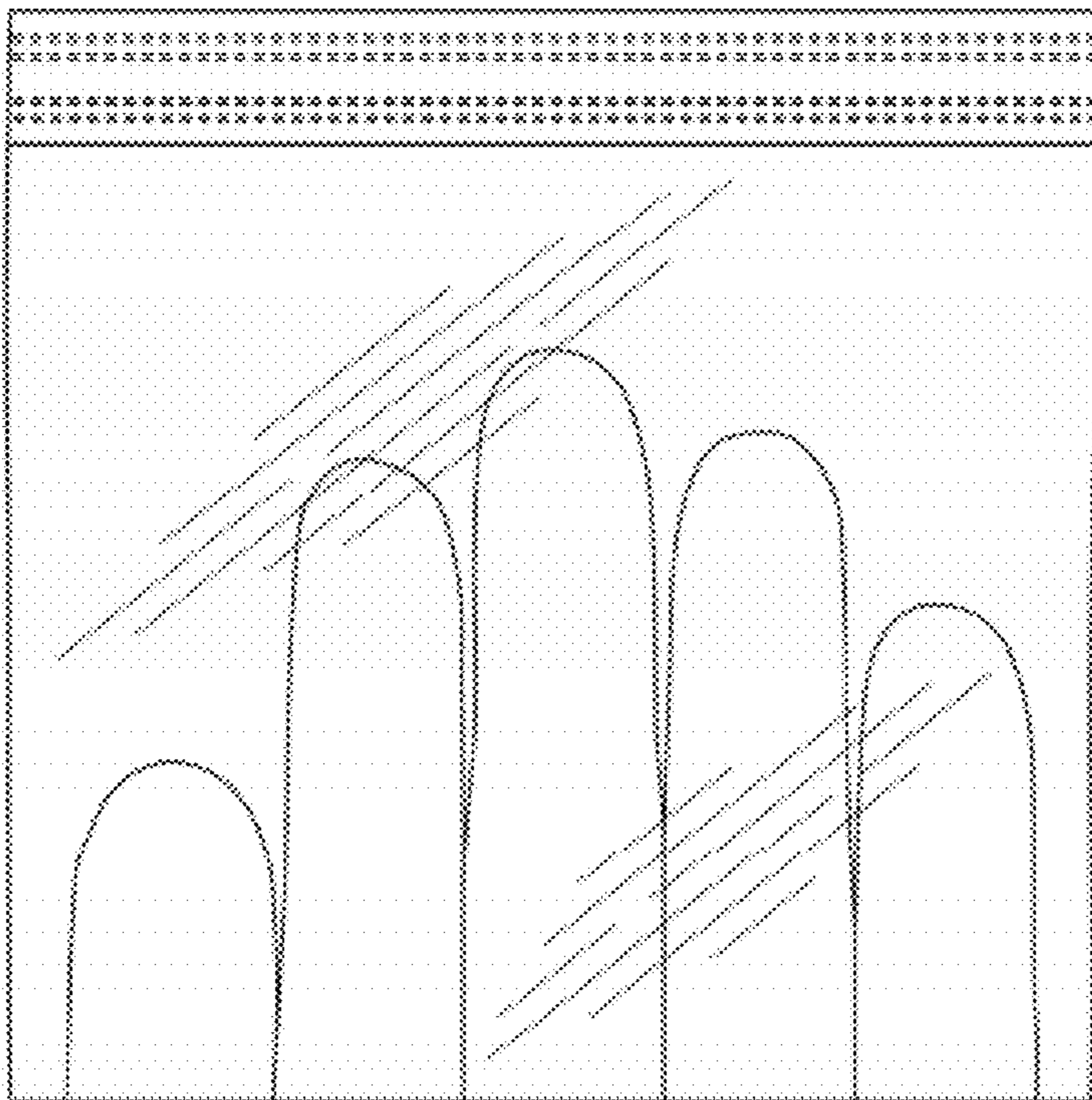


FIG. 22

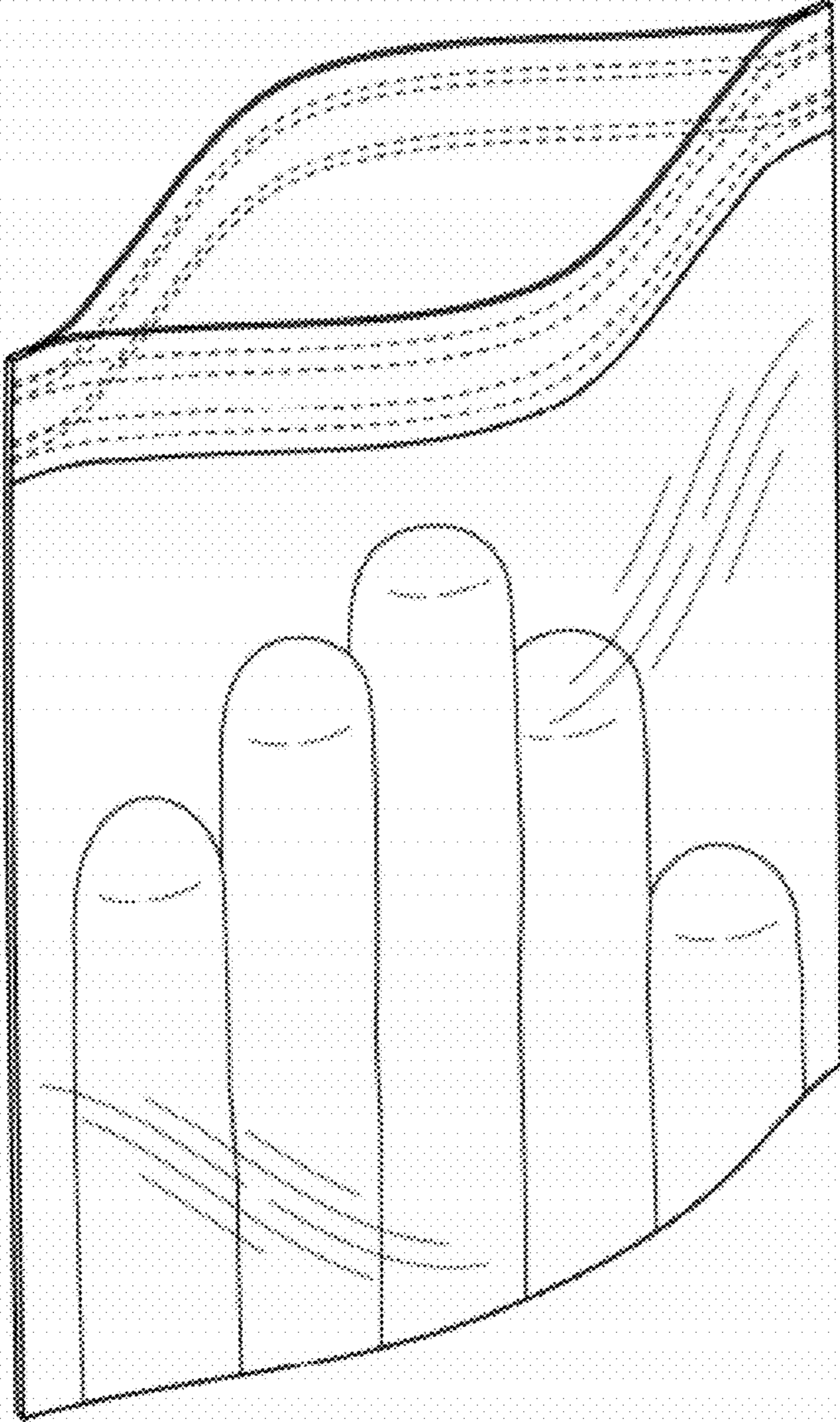


FIG. 23

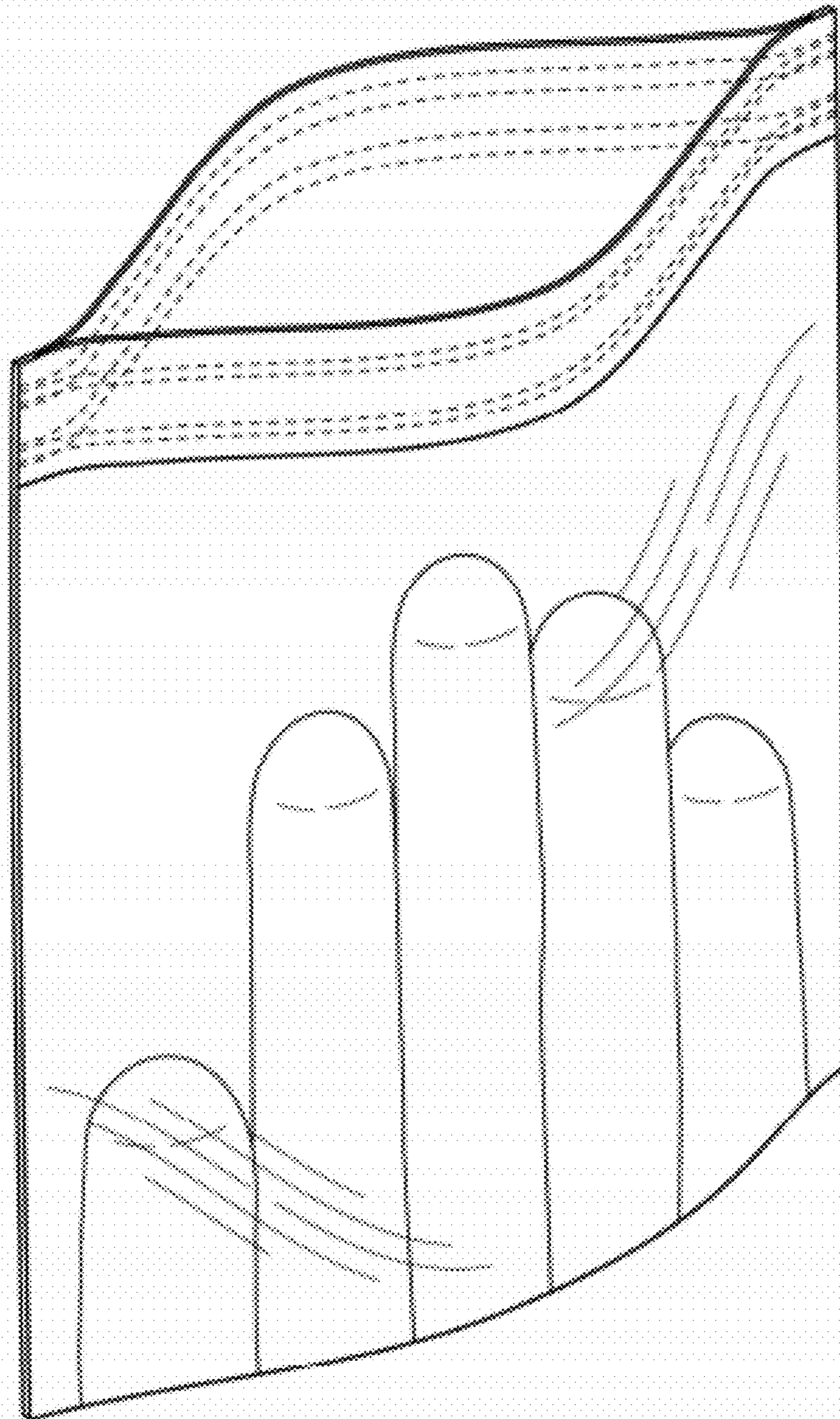


FIG. 24

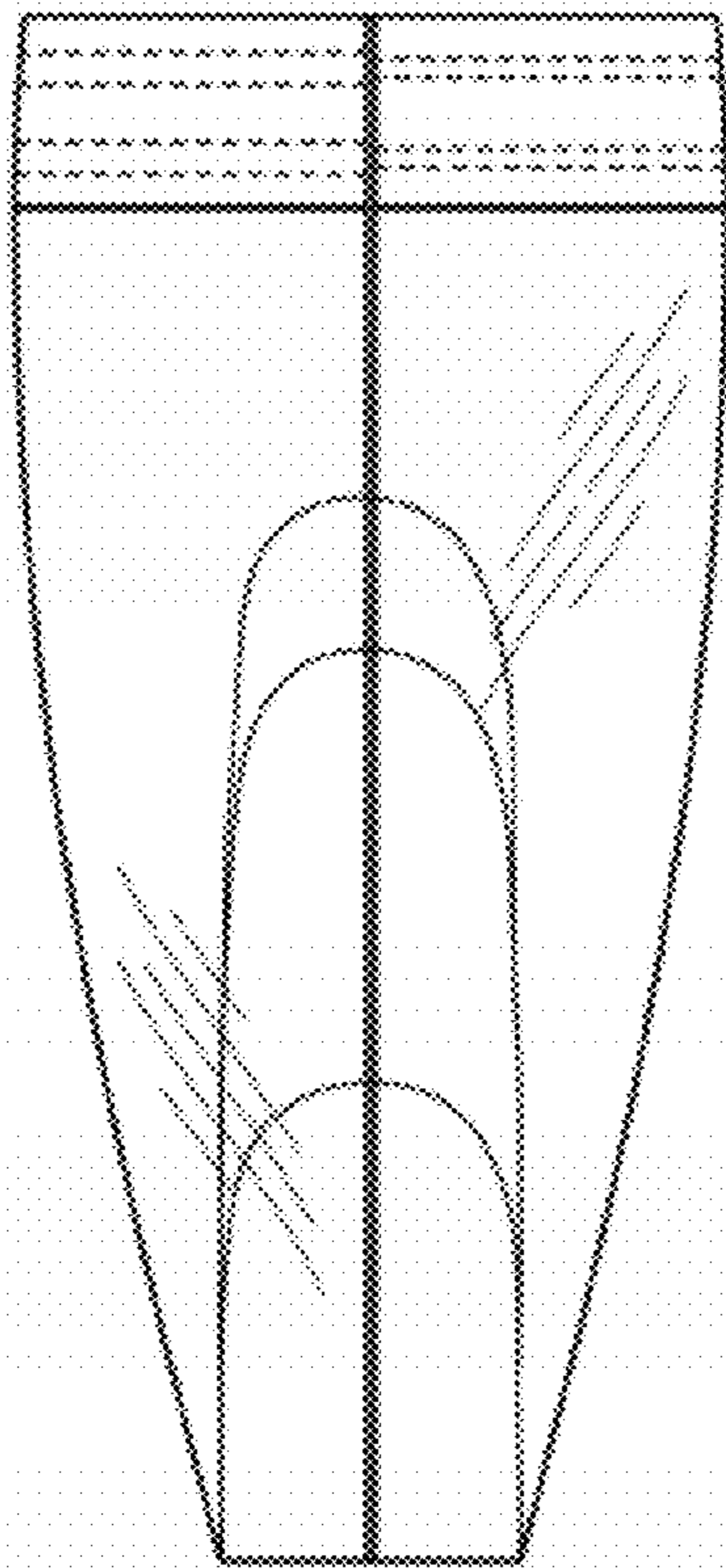


FIG. 25

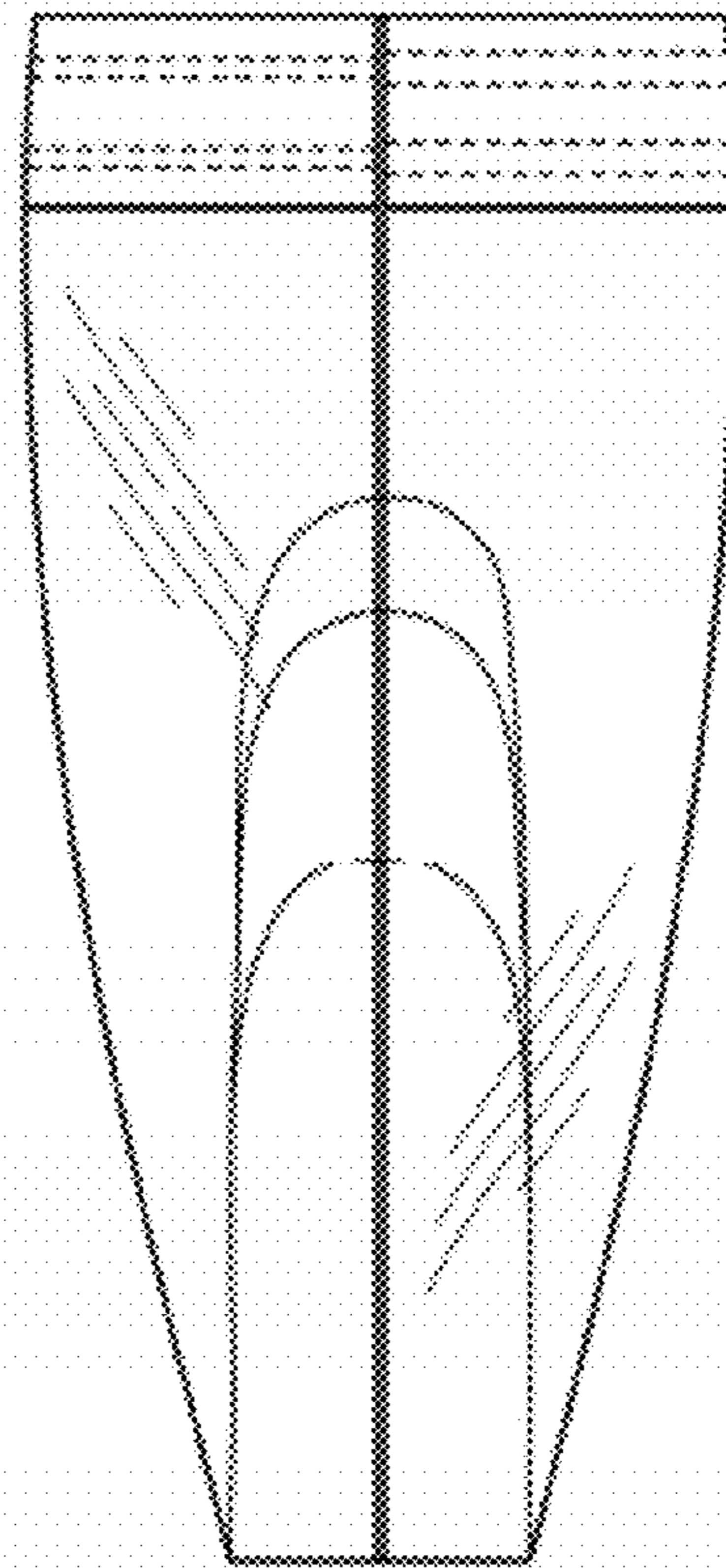


FIG. 26

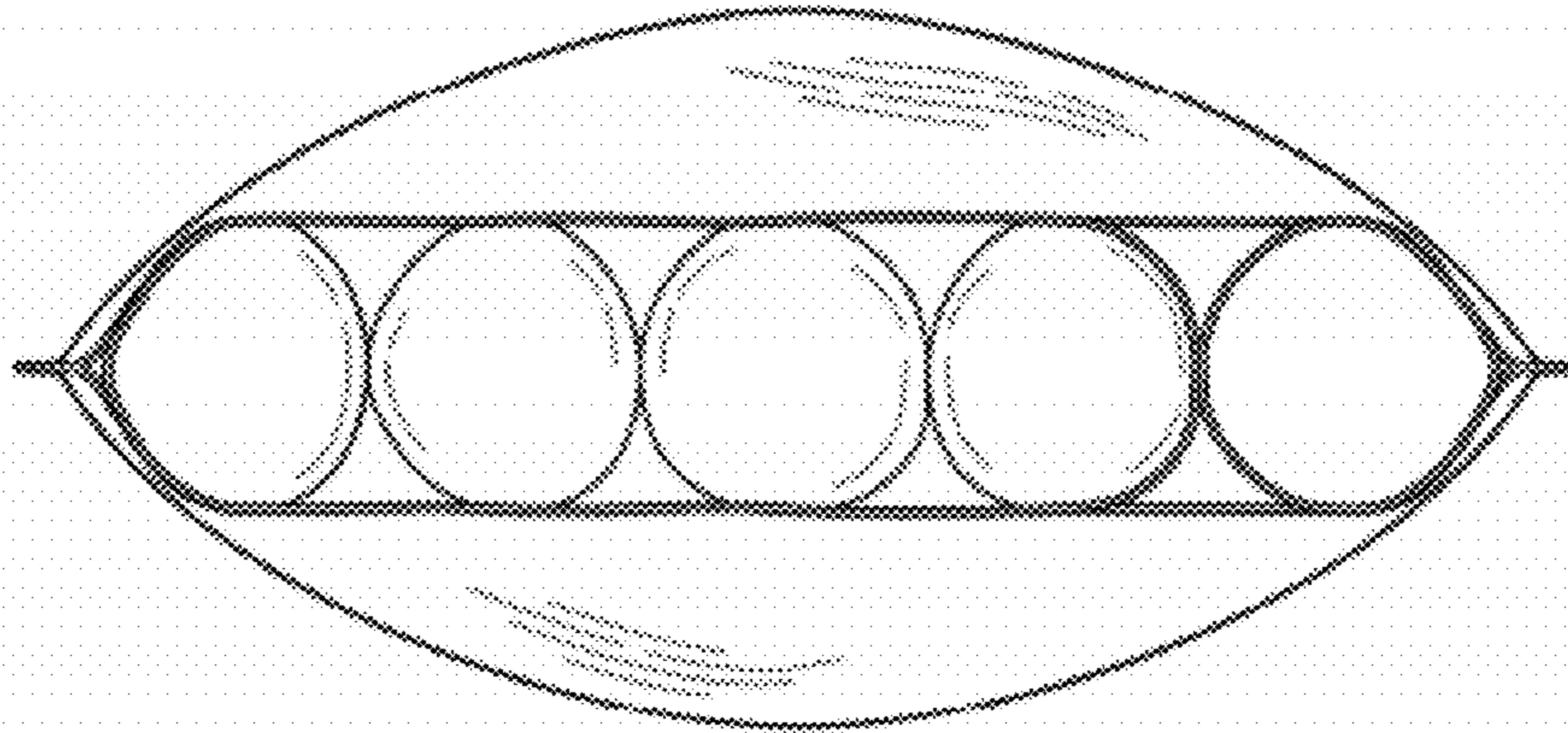


FIG. 27

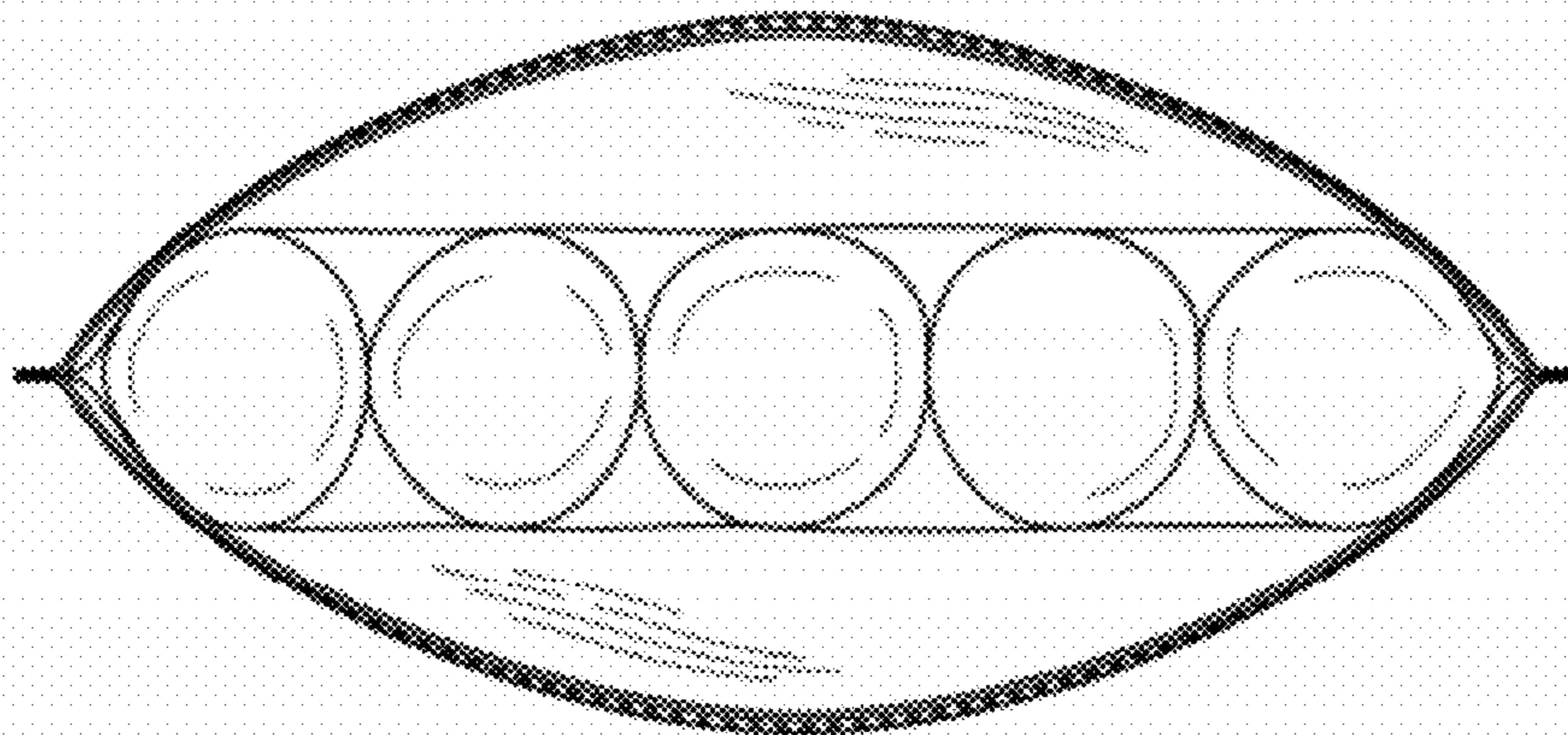


FIG. 28

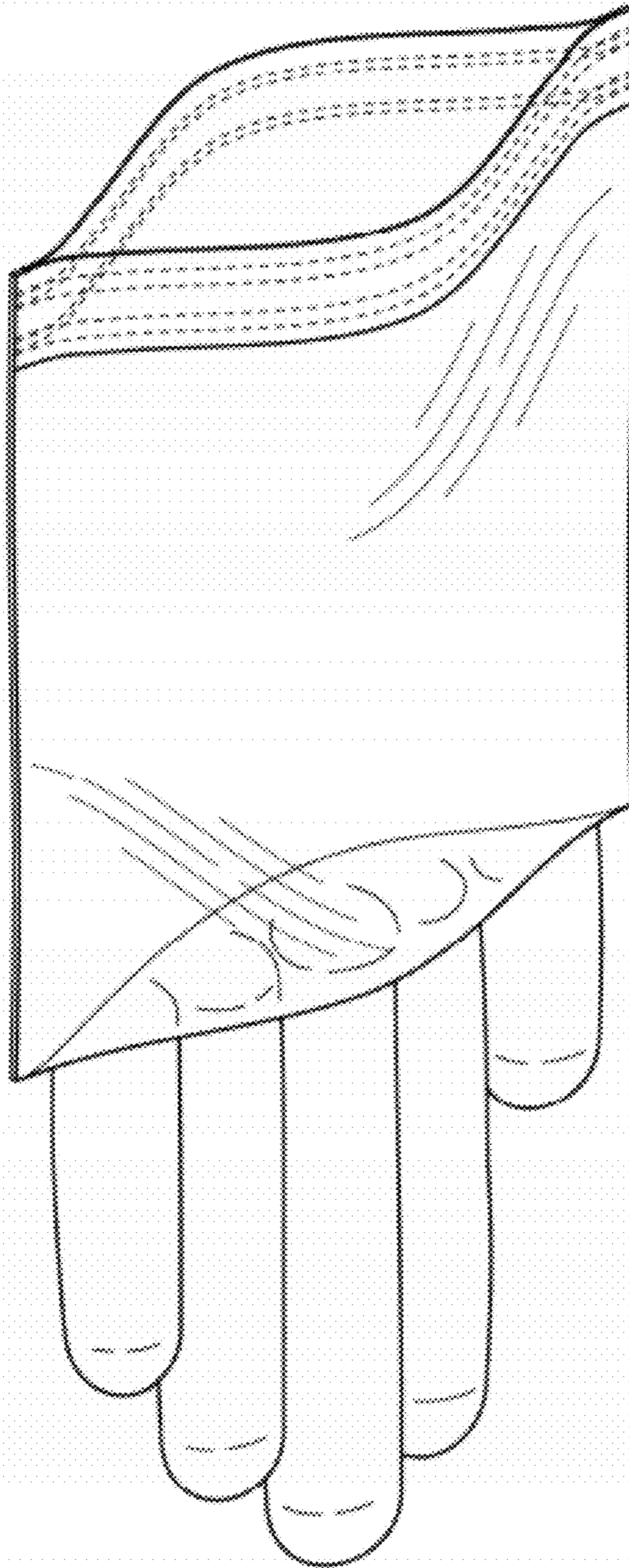


FIG. 29

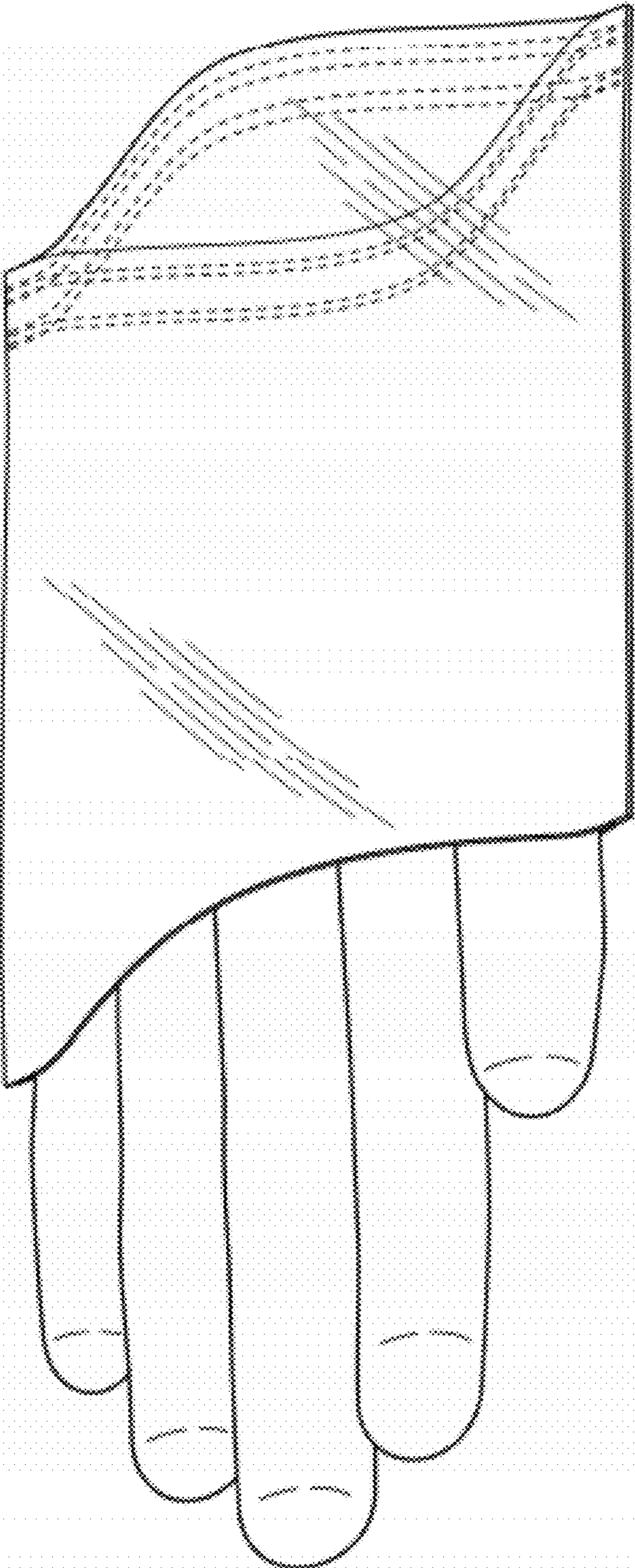


FIG. 30

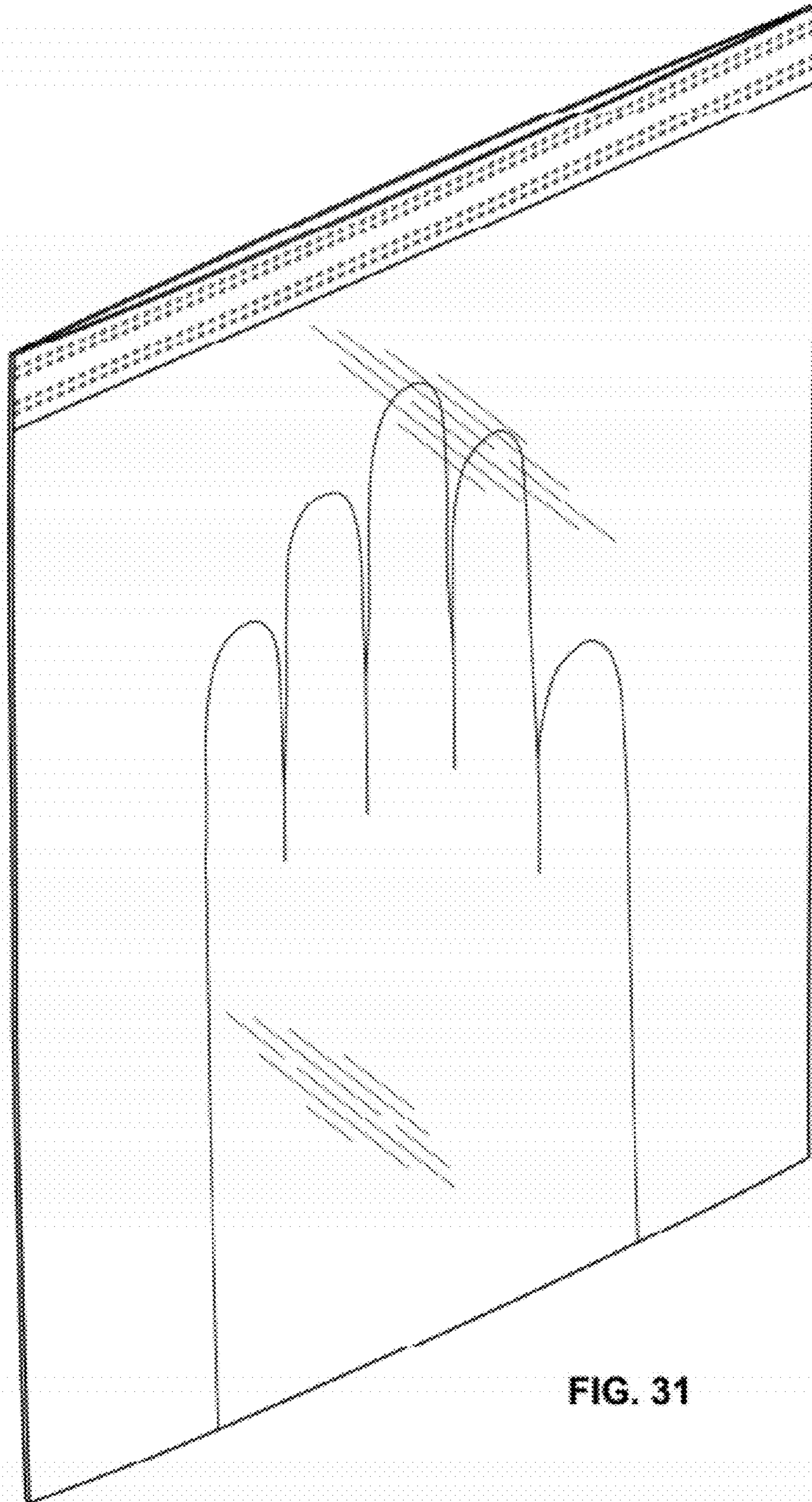


FIG. 31

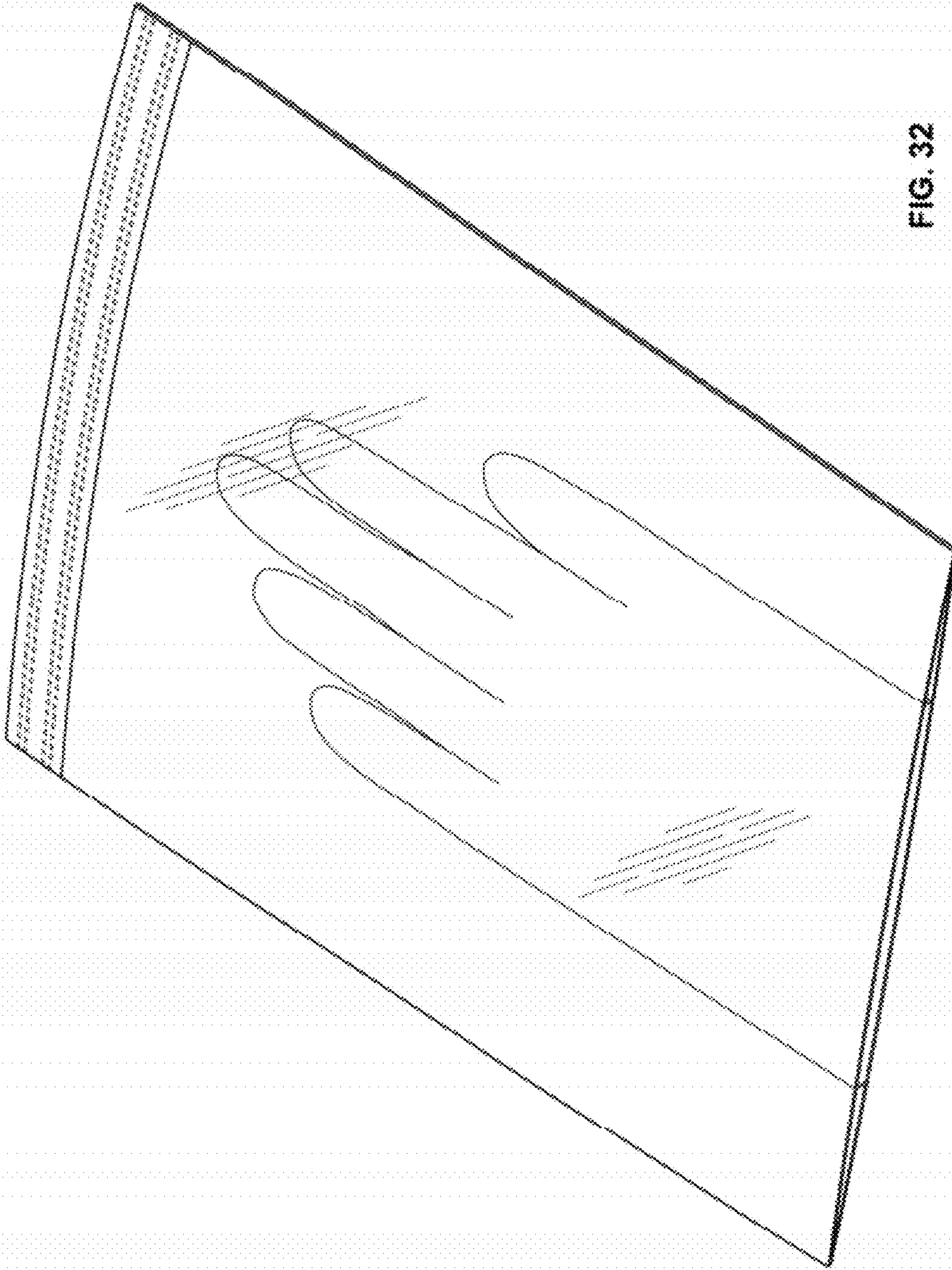


FIG. 32

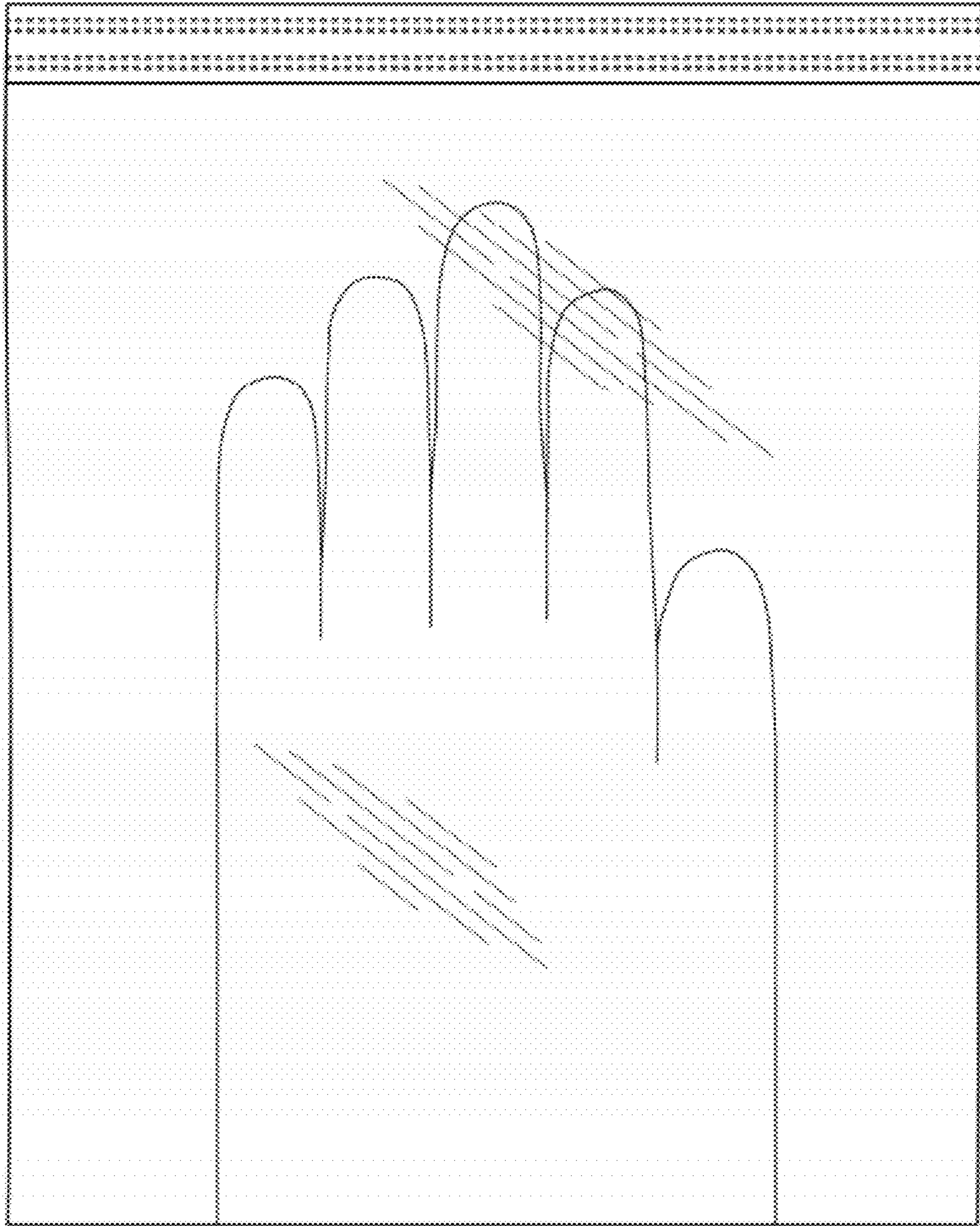


FIG. 33

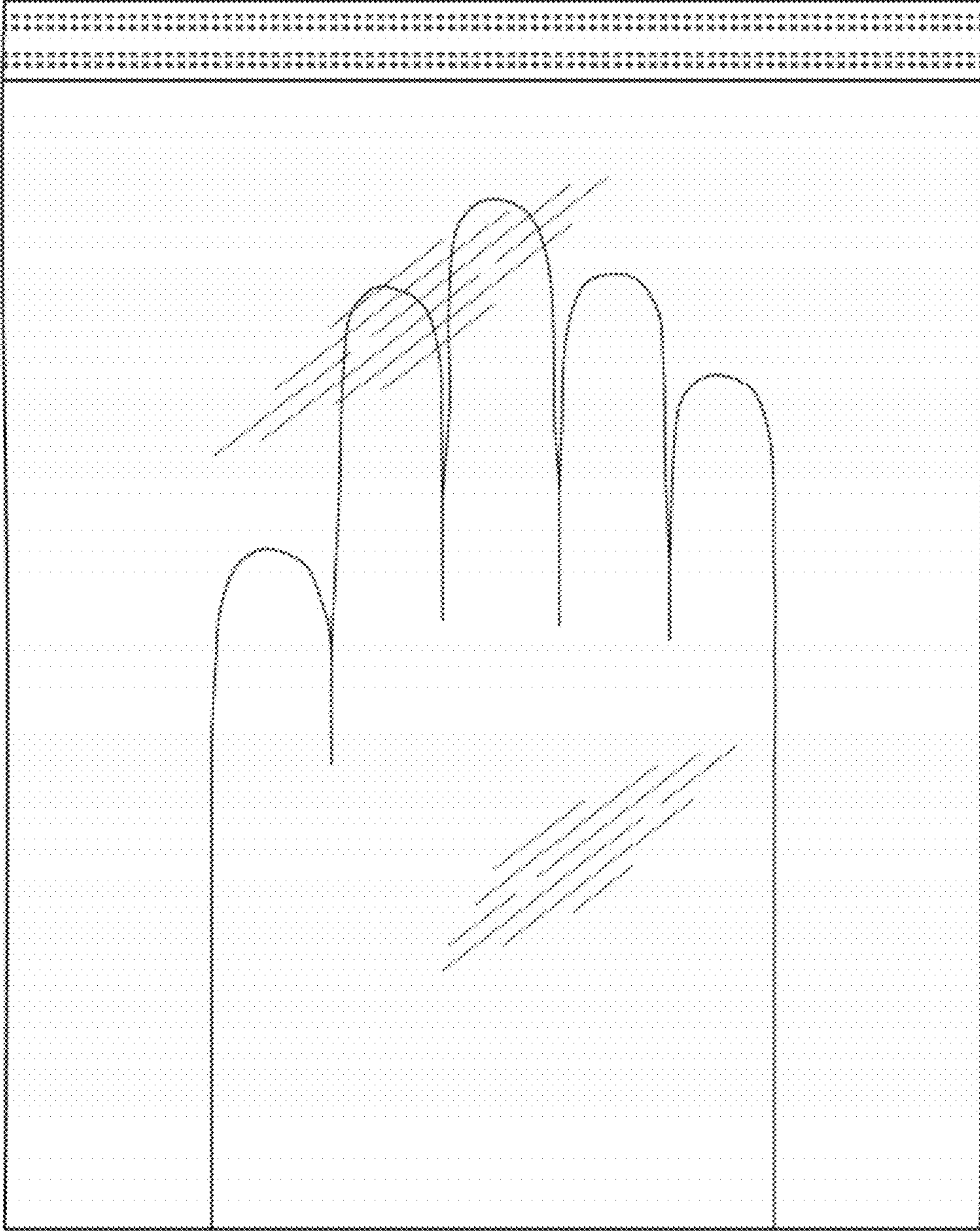


FIG. 34

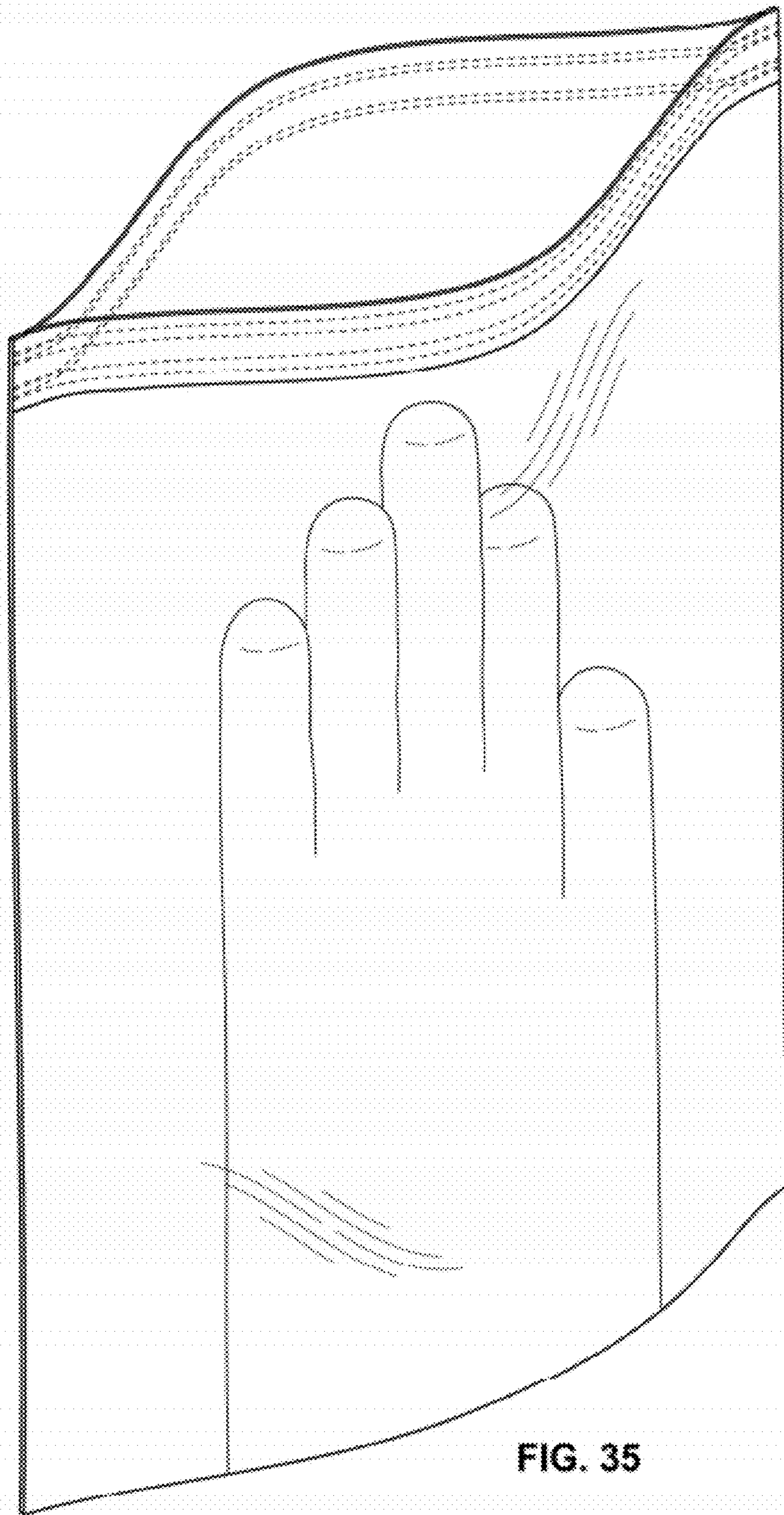


FIG. 35

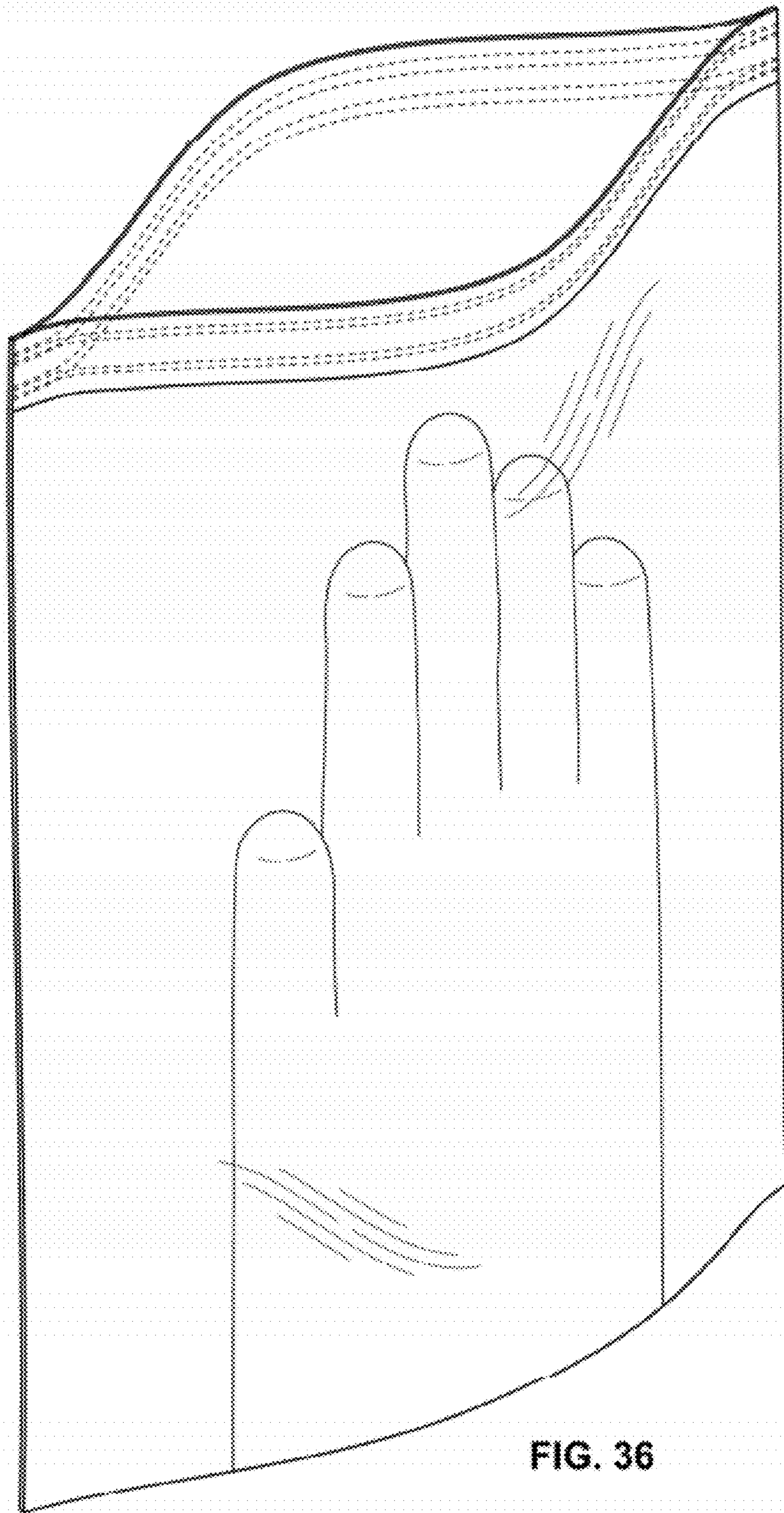


FIG. 36

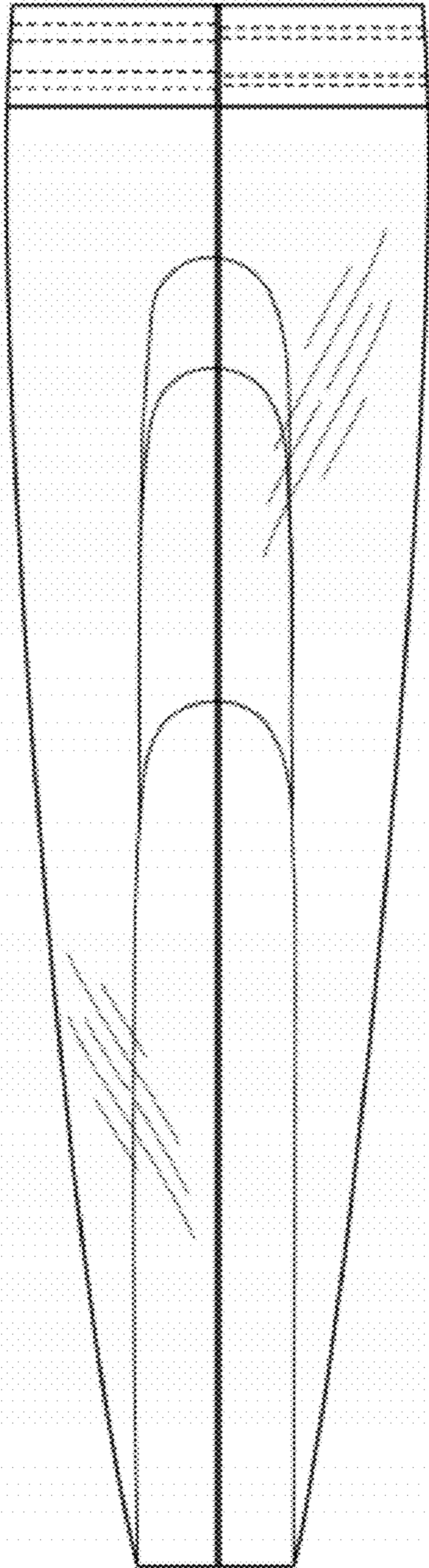


FIG. 37

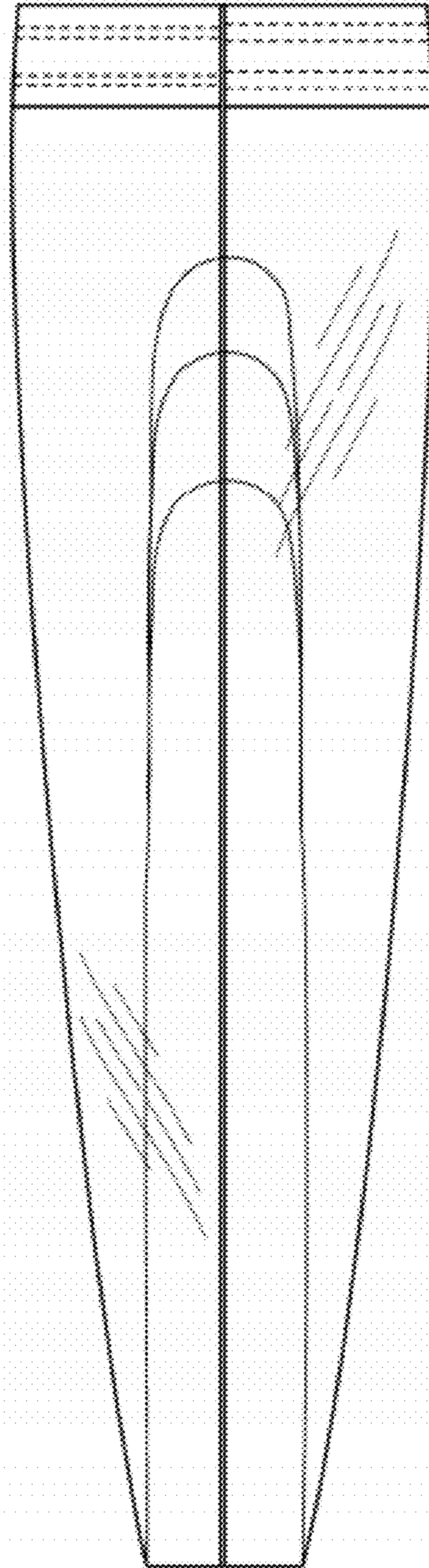


FIG. 38

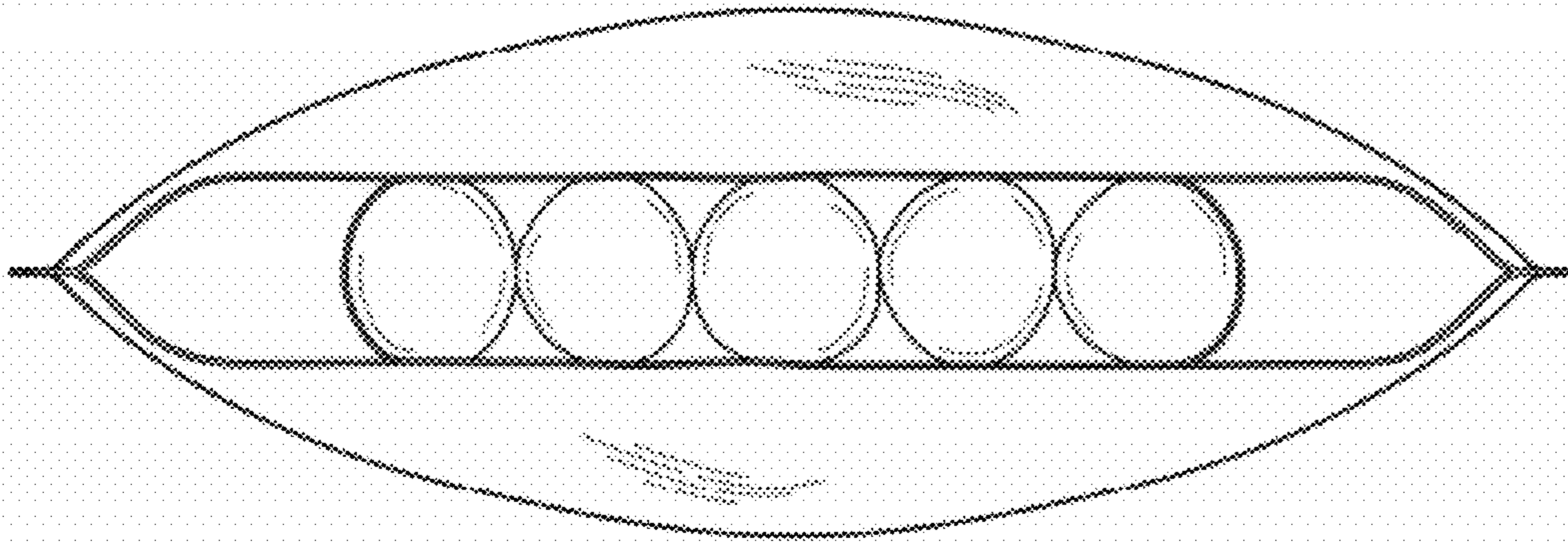


FIG. 39

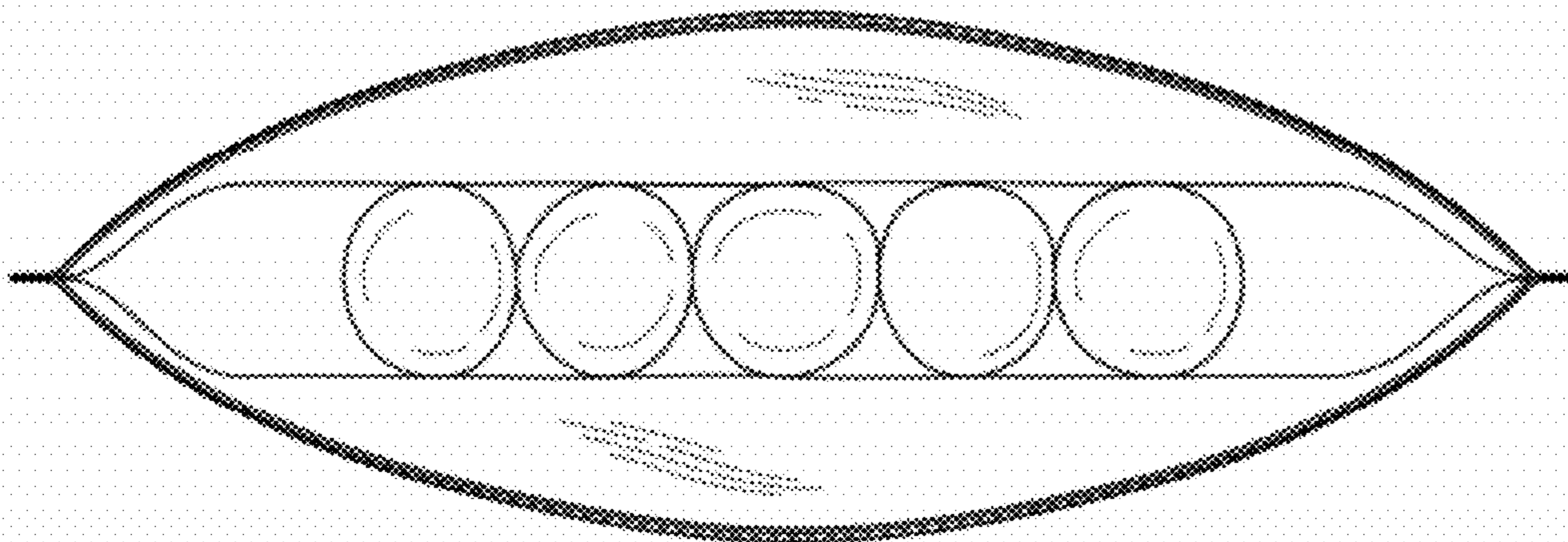


FIG. 40

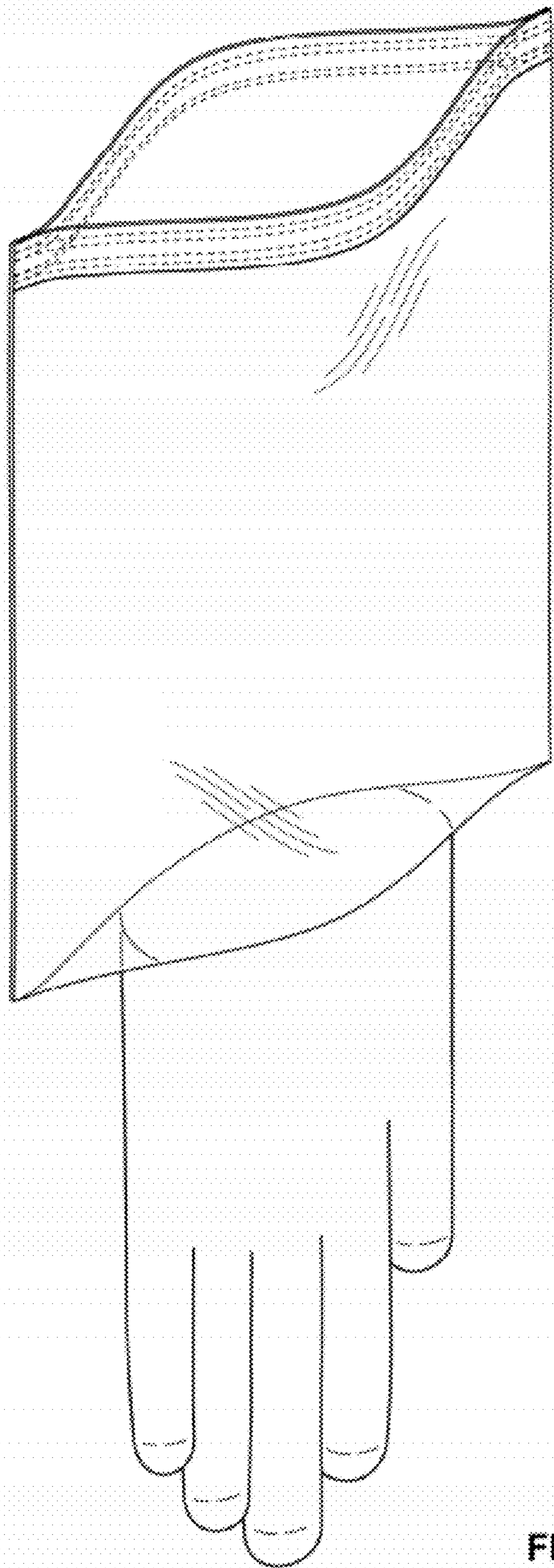


FIG. 41

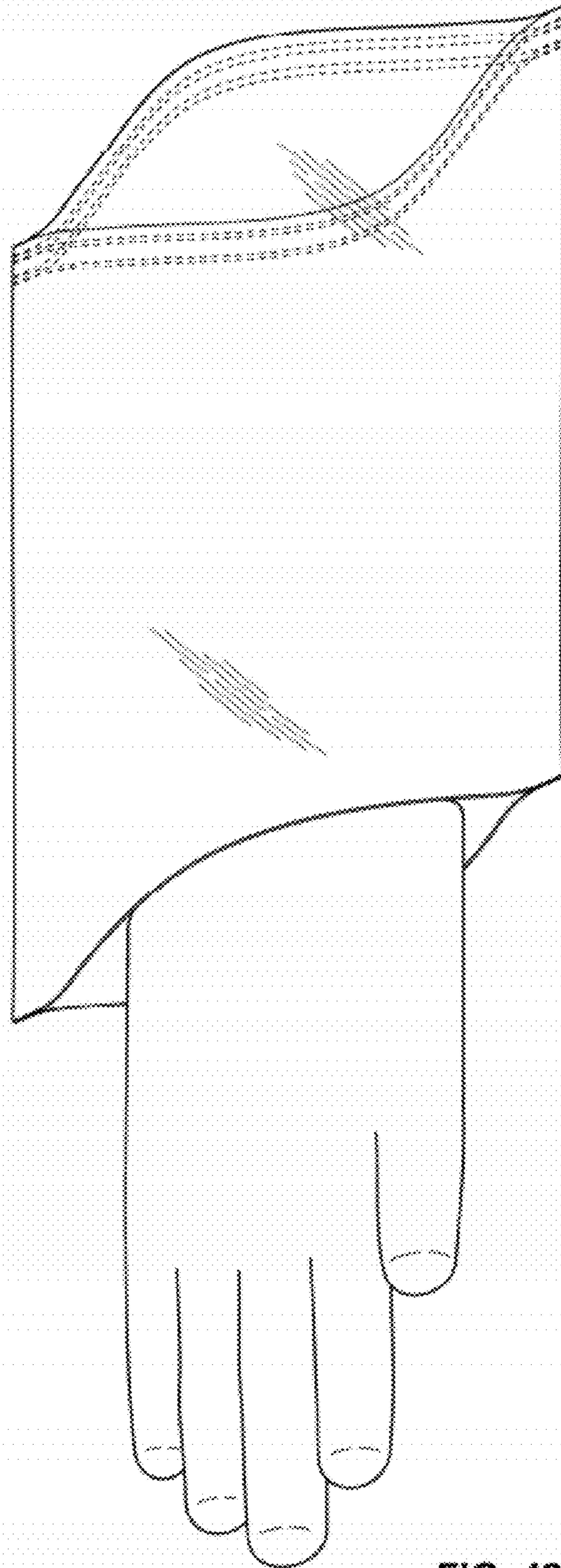


FIG. 42

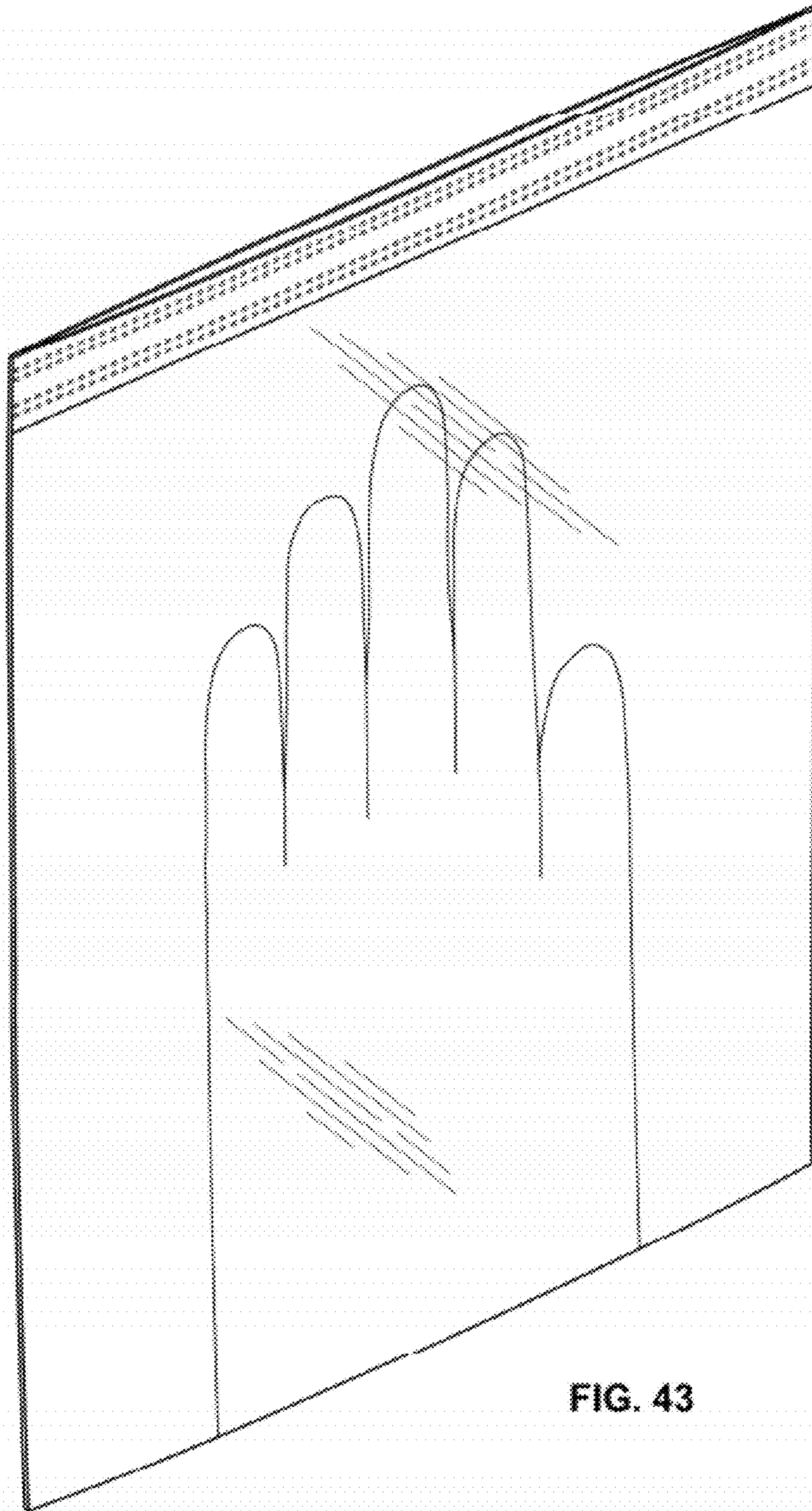


FIG. 43

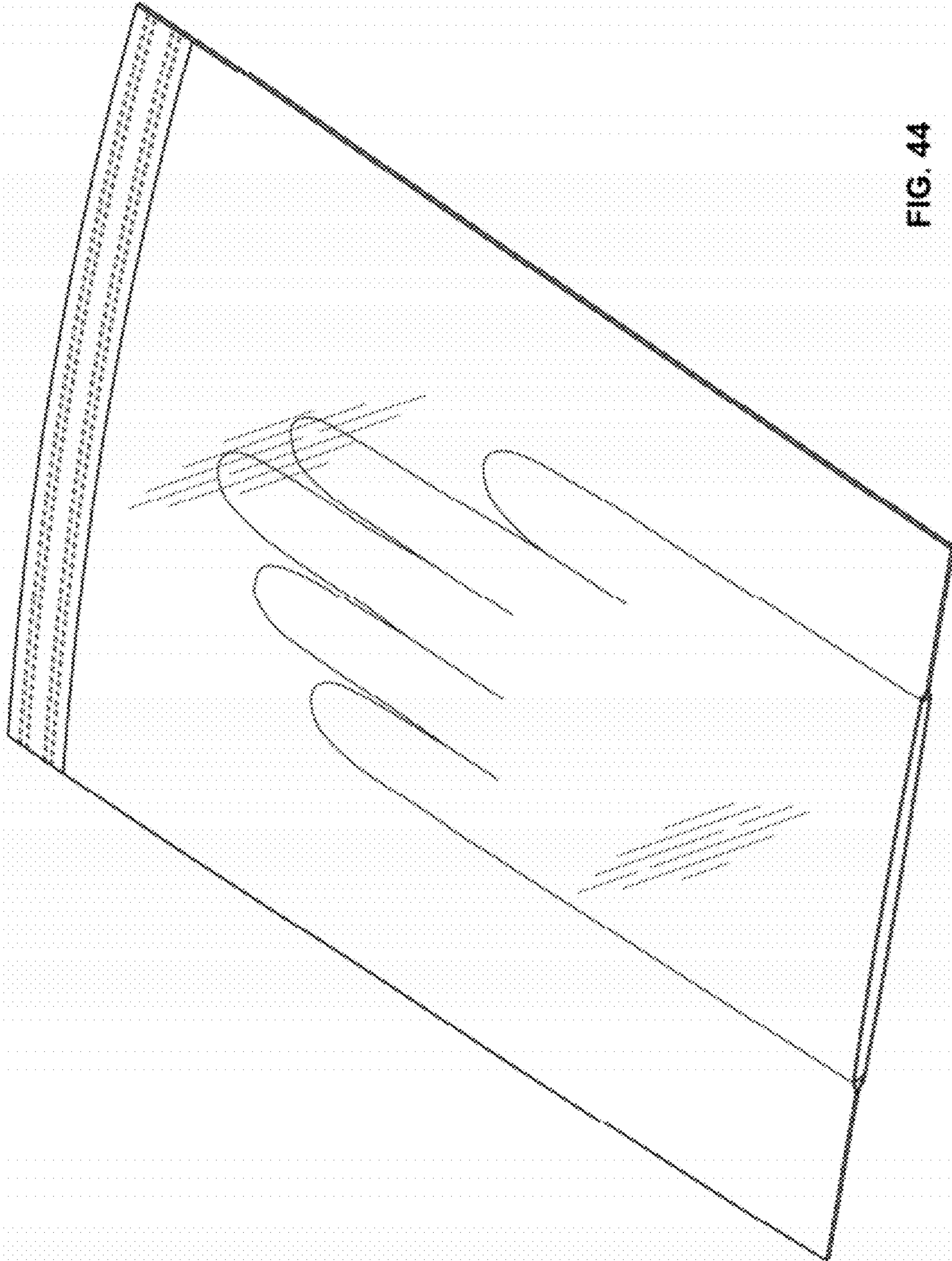


FIG. 44

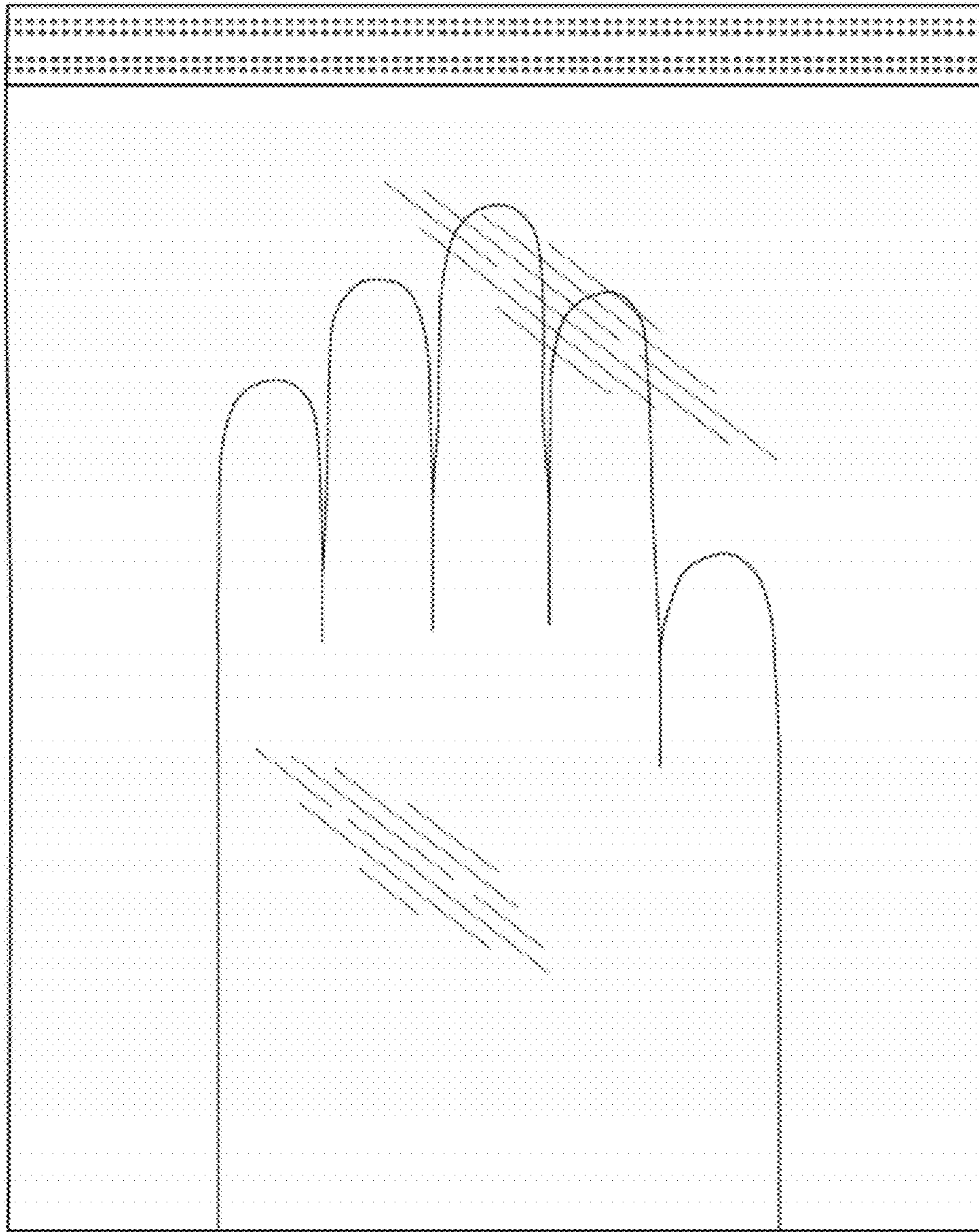


FIG. 45

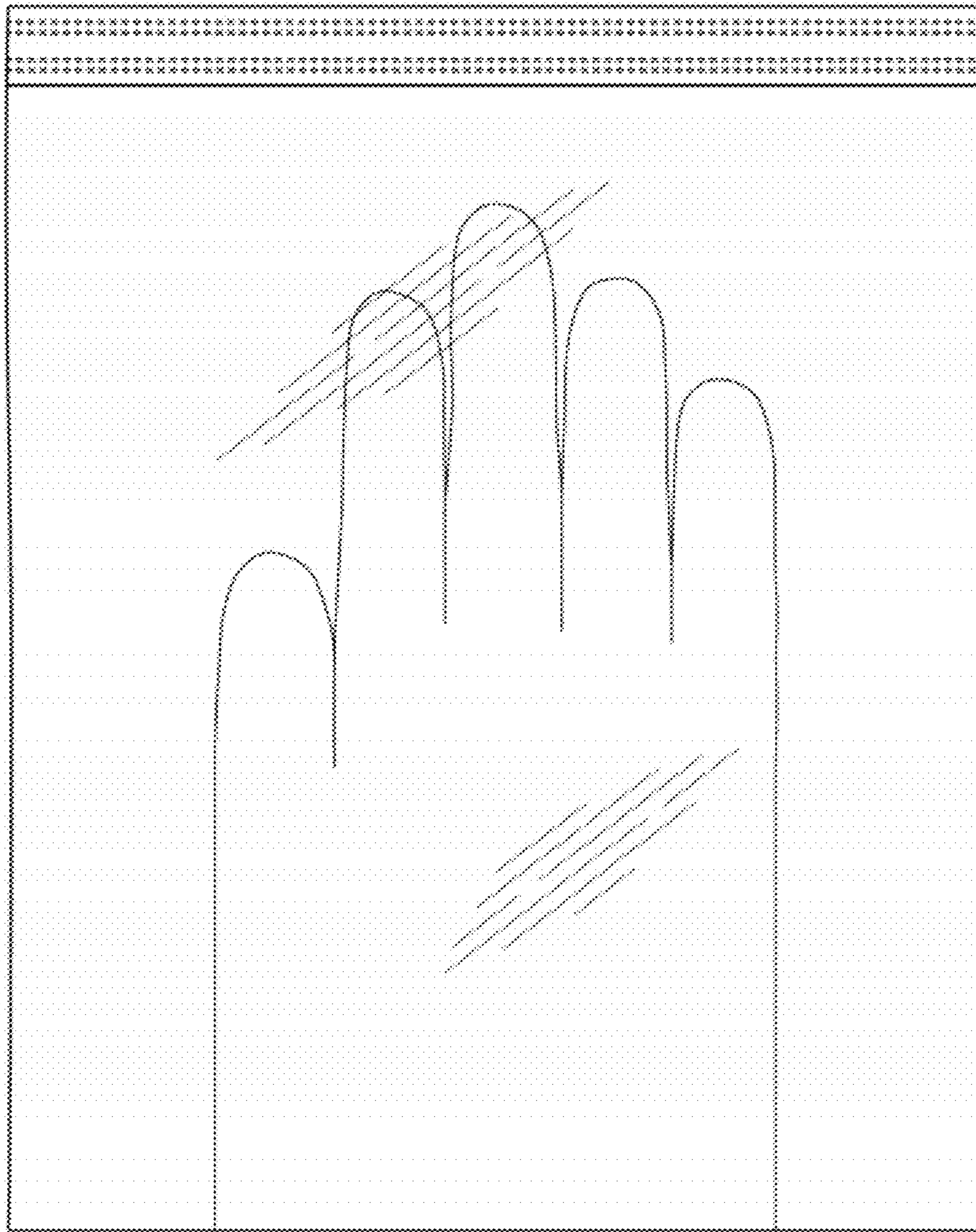


FIG. 46

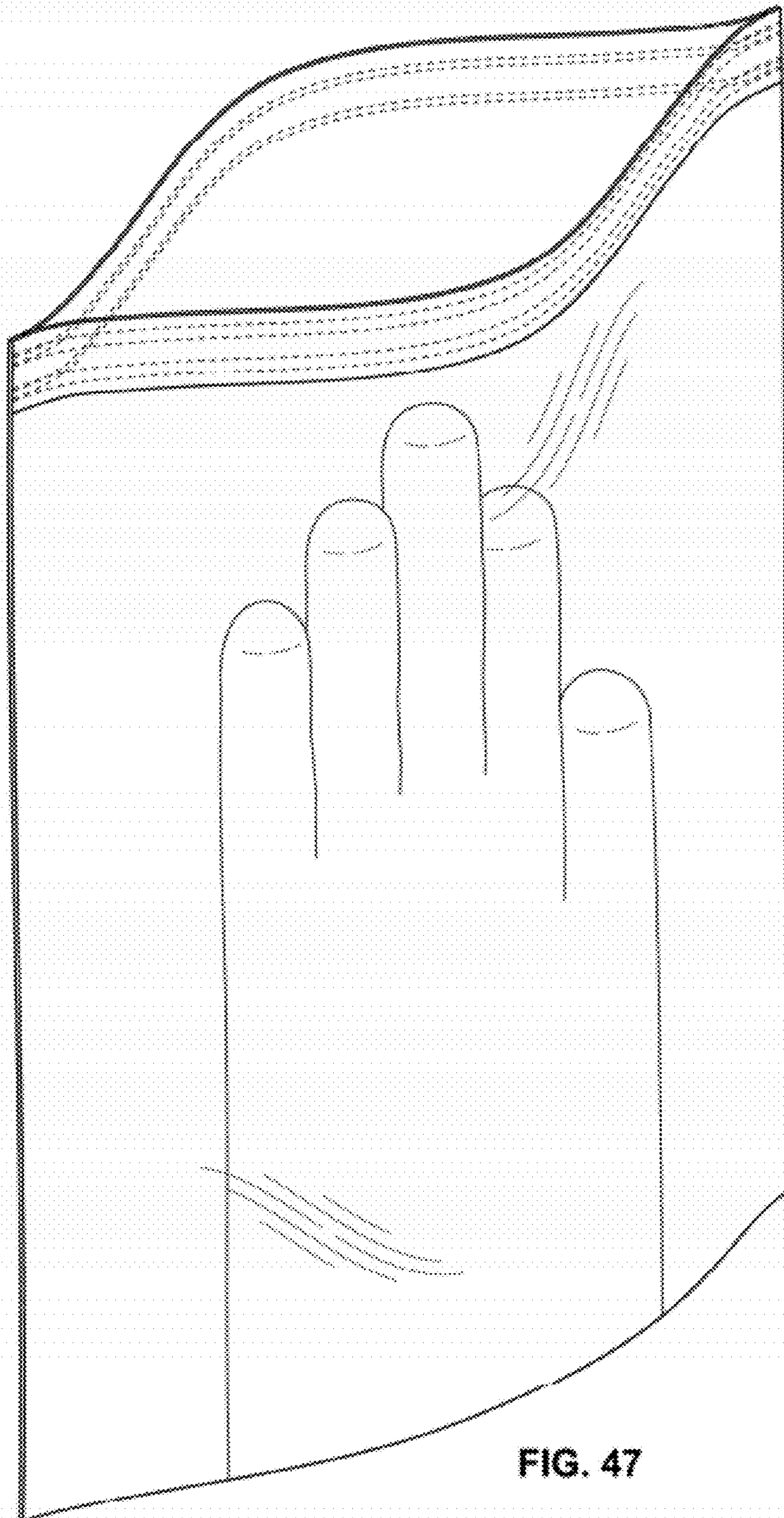


FIG. 47

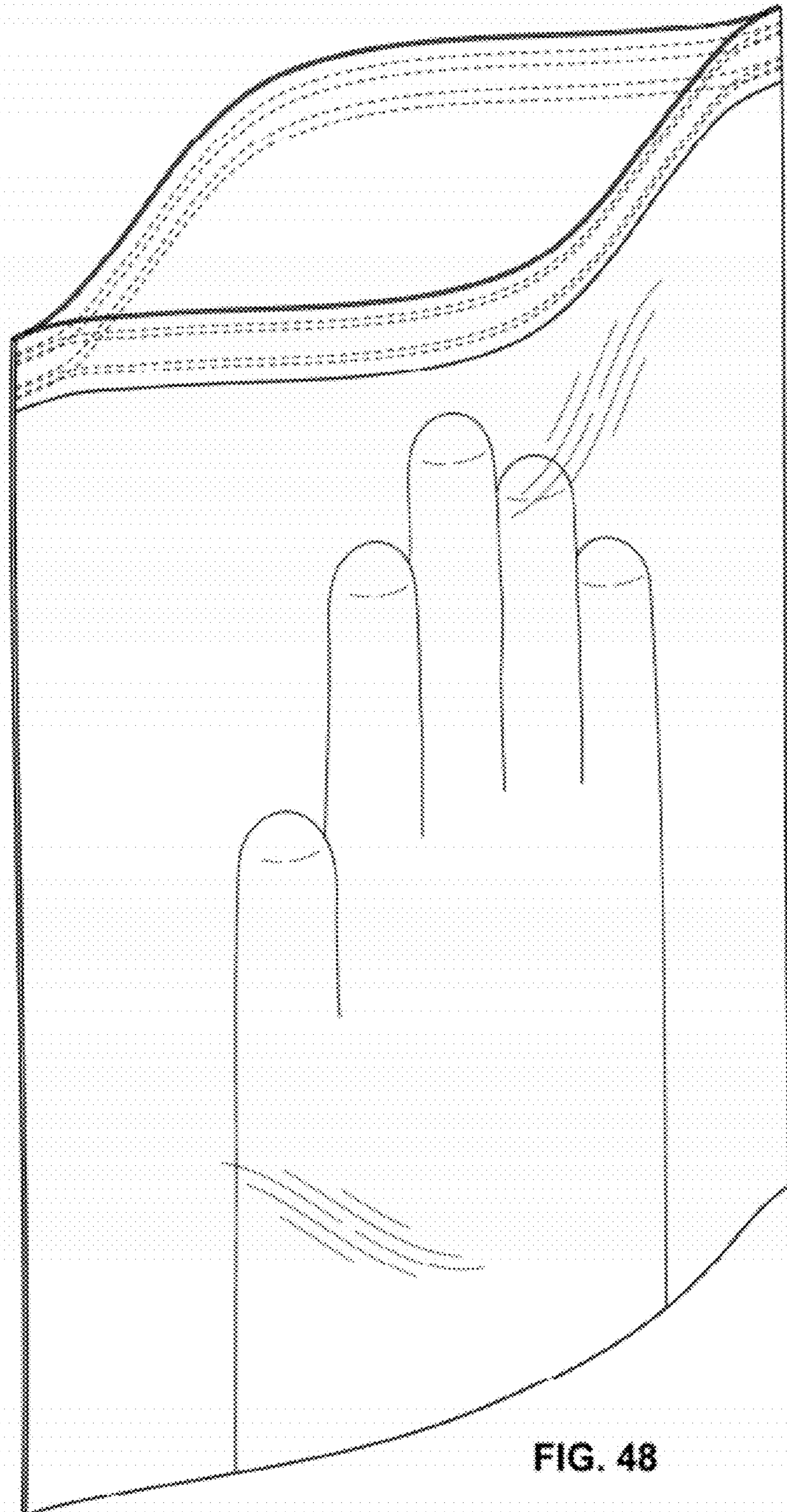


FIG. 48

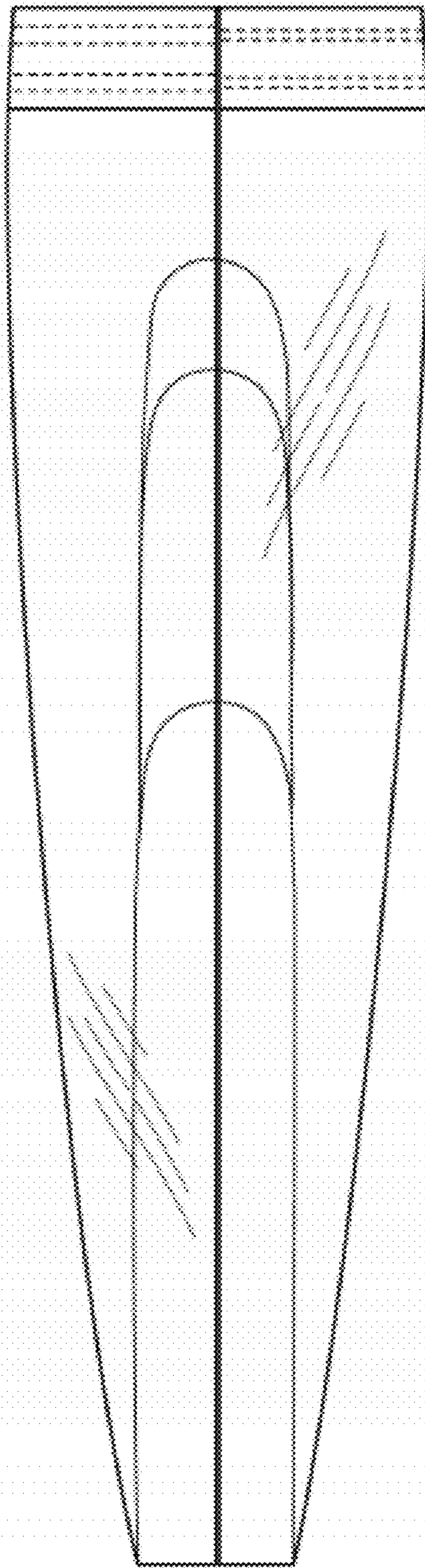


FIG. 49

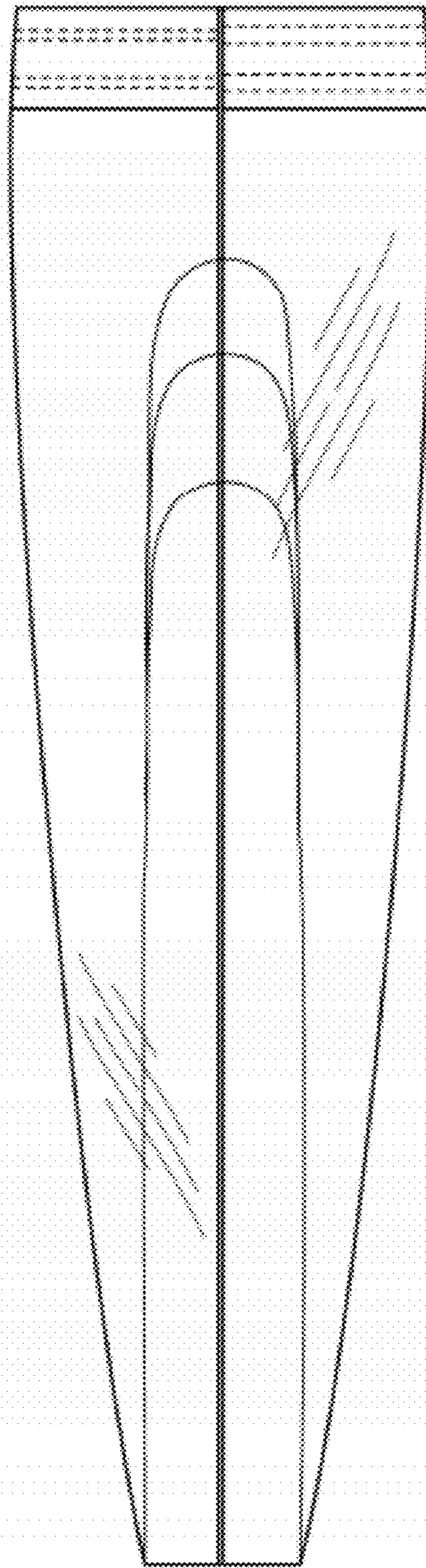


FIG. 50

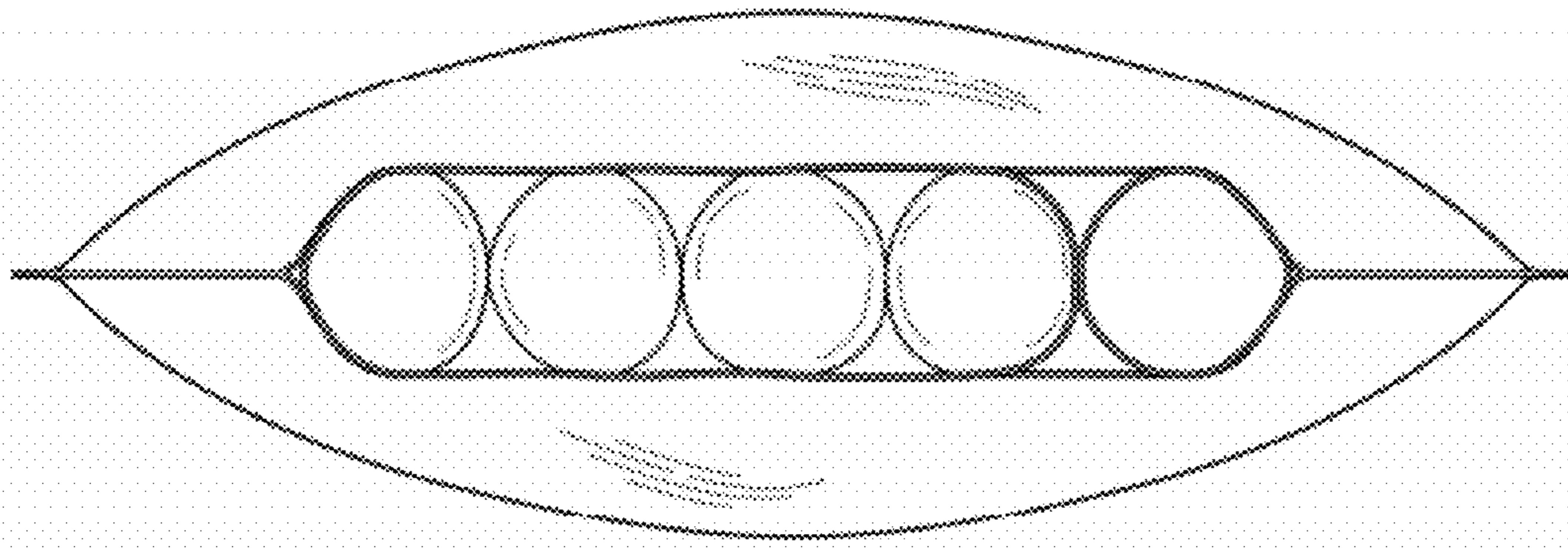


FIG. 51

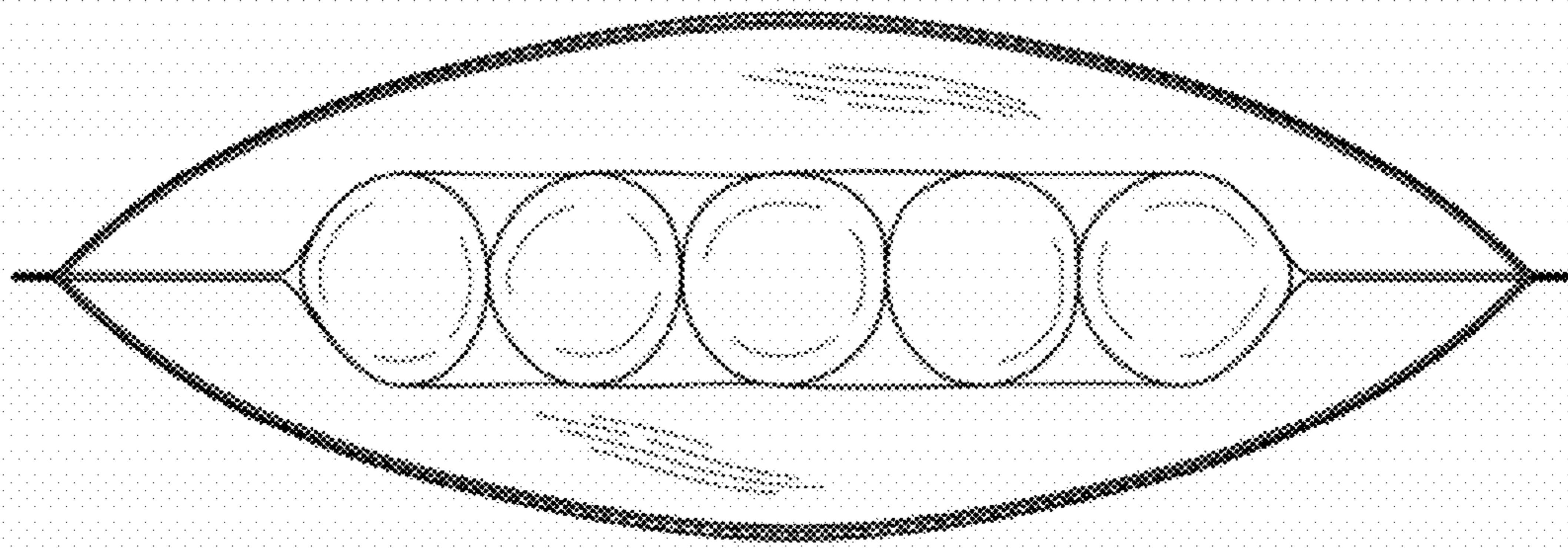


FIG. 52

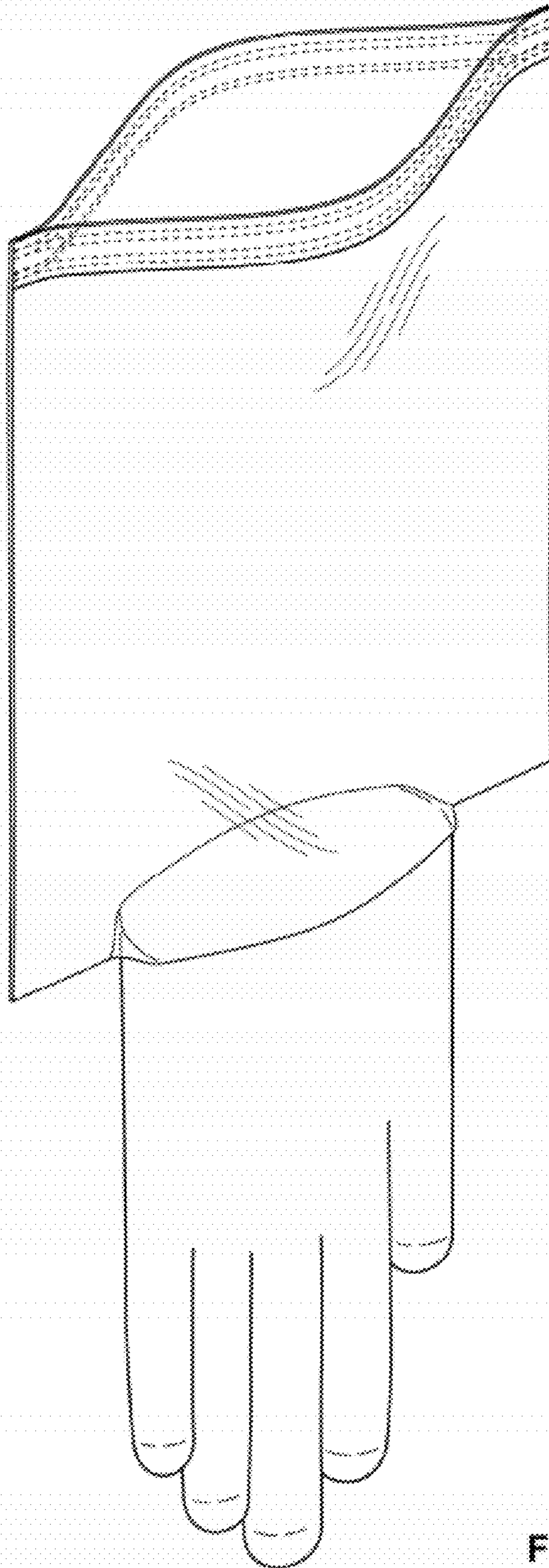


FIG. 53

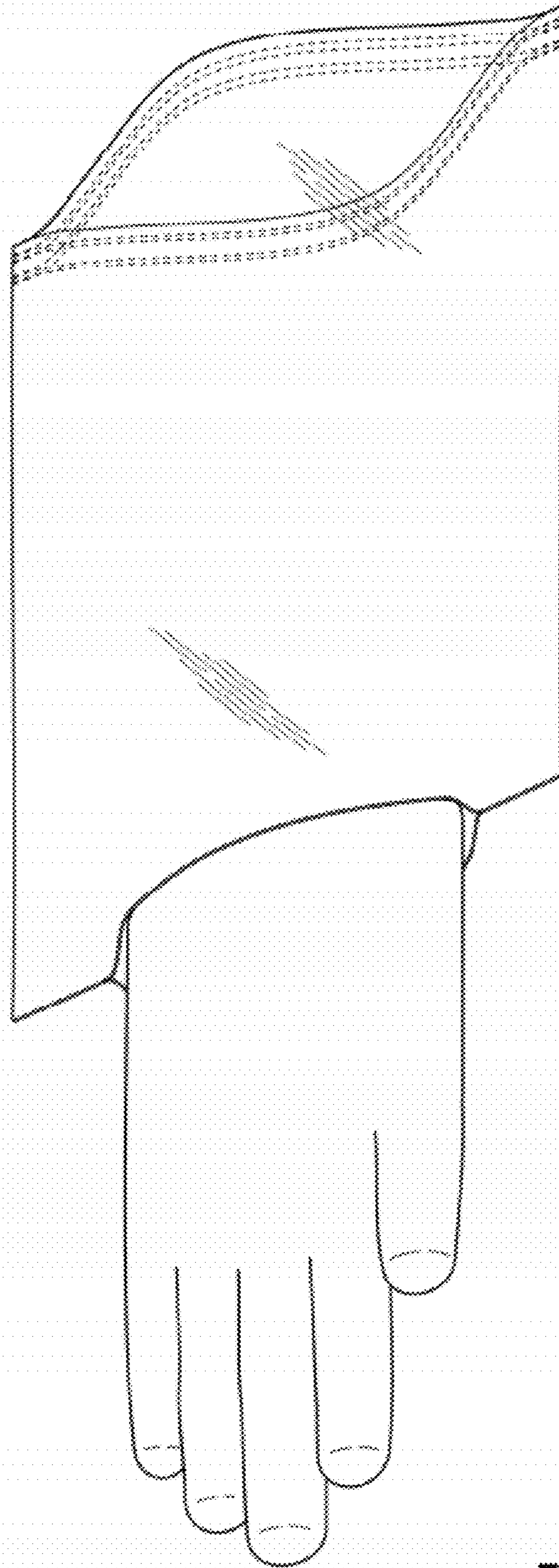


FIG. 54