

US00D666913S

(12) **United States Design Patent**
Kopulos et al.

(10) **Patent No.:** **US D666,913 S**
(45) **Date of Patent:** **** Sep. 11, 2012**

(54) **CONTAINER**

(75) Inventors: **Christopher Robert Kopulos**,
Cincinnati, OH (US); **Brian David**
Andres, Harrison, OH (US)

(73) Assignee: **The Procter & Gamble Company**,
Cincinnati, OH (US)

(**) Term: **14 Years**

(21) Appl. No.: **29/418,588**

(22) Filed: **Apr. 18, 2012**

Related U.S. Application Data

(62) Division of application No. 29/375,263, filed on Sep.
20, 2010, now Pat. No. Des. 660,168.

(51) **LOC (9) Cl.** **09-01**

(52) **U.S. Cl.** **D9/516**

(58) **Field of Classification Search** D9/516,
D9/523, 529-531, 541-543, 563-564, 574-575,
D9/434; D7/602, 612-615, 629, 703, 705;
D30/101-104; 220/660, 669-670, 675;
215/381-385

See application file for complete search history.

(56) **References Cited**

U.S. PATENT DOCUMENTS

D198,287 S *	5/1964	Hukterstrum	D9/543
D211,928 S *	8/1968	Burnett	D9/523
D217,439 S *	5/1970	Platte	D9/543
D227,222 S *	6/1973	Plummer	D9/543
D254,714 S	4/1980	Mascia et al.		
D254,716 S	4/1980	Mascia et al.		
D281,673 S	12/1985	Lampe		
D306,406 S	3/1990	Pierce et al.		
D319,581 S	9/1991	Halm		
D319,583 S	9/1991	Halm et al.		
D354,685 S *	1/1995	Krishnakumar et al.	D9/543
D370,834 S	6/1996	Hartman		
D462,012 S *	8/2002	Manderfield, Jr.	D9/530

D462,270 S	9/2002	Renz		
D464,879 S *	10/2002	Meeker et al.	D9/424
D471,459 S *	3/2003	Denham et al.	D9/529 X
D473,142 S	4/2003	Beaver		
D475,288 S	6/2003	Hoffmann et al.		
D476,898 S *	7/2003	Schuller et al.	D9/529

(Continued)

FOREIGN PATENT DOCUMENTS

CA 101564 3/2004

(Continued)

OTHER PUBLICATIONS

U.S. Appl. No. 29/341,567, filed Aug. 7, 2009, Chris Van den
Wouwer, et al.

(Continued)

Primary Examiner — Carol P Rademaker

(74) *Attorney, Agent, or Firm* — Julie A. McConihay;
Leonard W. Lewis; Steven W. Miller

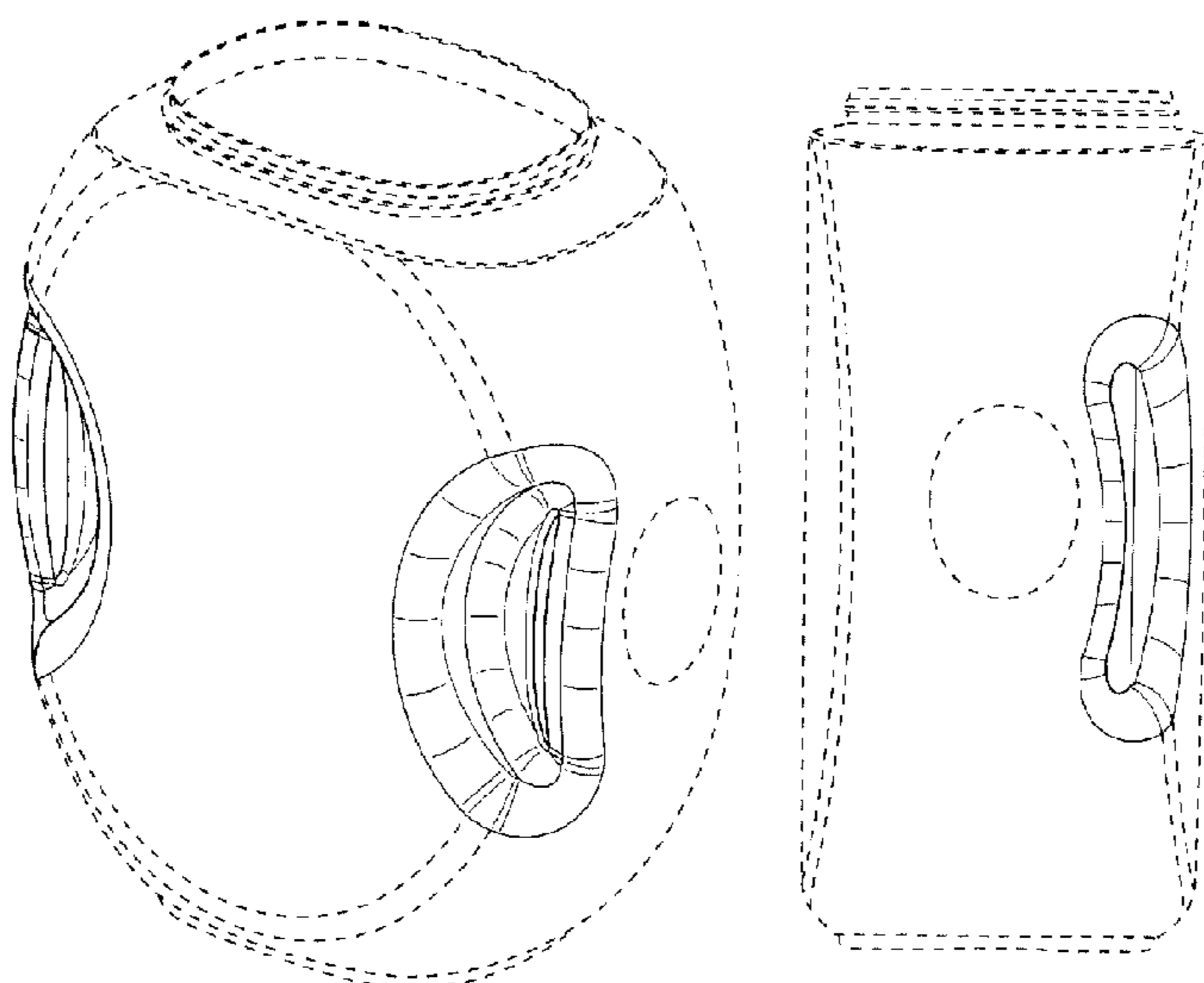
(57) **CLAIM**

The ornamental design for a container, as shown and
described.

DESCRIPTION

FIG. 1 is a top, front, and right side perspective view of a
container embodying our new design;
FIG. 2 is a top, back, and left side perspective view thereof;
FIG. 3 is a front elevational view thereof;
FIG. 4 is a back elevational view thereof;
FIG. 5 is a right side elevational view thereof, the left side
elevational view being a mirror image,
FIG. 6 is a top plan view thereof; and,
FIG. 7 is a bottom plan view thereof.
The broken lines shown in the drawings are included for the
purpose of illustrating environmental structure and form no
part of the claimed design.

1 Claim, 6 Drawing Sheets



US D666,913 S

Page 2

U.S. PATENT DOCUMENTS

D480,312 S * 10/2003 Mungur et al. D9/537
D507,184 S 7/2005 Beaver et al.
D527,271 S * 8/2006 Heisner et al. D9/540
D530,617 S * 10/2006 Little et al. D9/543
D538,659 S * 3/2007 Eaton et al. D9/516
D550,077 S 9/2007 Lagreca et al.
D560,488 S 1/2008 Rust et al.
D568,739 S 5/2008 Darr
D572,535 S 7/2008 El-Ghouyel et al.
D576,883 S 9/2008 Carapelli
D581,288 S 11/2008 Villalobos
D584,154 S 1/2009 Fitzsimmons et al.
D585,303 S 1/2009 Fitzsimmons et al.
D585,748 S * 2/2009 Flanagan-Kent et al. D9/516
D586,222 S 2/2009 Little et al.
D586,223 S 2/2009 Little et al.
D588,088 S 3/2009 Mitchell
D592,064 S 5/2009 Kilany
D623,953 S * 9/2010 Darr et al. D9/516

8,025,176 B2 * 9/2011 Little et al. 220/675
D651,093 S * 12/2011 Van Rens D9/541
D656,402 S * 3/2012 Kopulos et al. D9/575 X
2004/0011811 A1 * 1/2004 McLelland et al. 222/109
2006/0207963 A1 * 9/2006 Little et al. 215/384
2011/0079576 A1 * 4/2011 Thierjung et al. 215/384

FOREIGN PATENT DOCUMENTS

CA 119729 2/2008
EM 001688128-0001-0008 3/2010

OTHER PUBLICATIONS

U.S. Appl. No. 29/354,855, filed Jan. 29, 2010, Kopulos, et al.
U.S. Appl. No. 29/354,867, filed Jan. 29, 2010, Kopulos, et al.
U.S. Appl. No. 29/375,244, filed Sep. 20, 2010, Kopulos, et al.
U.S. Appl. Nos. 29/375,263, 29/375,263, Kopulos, et al.
U.S. Appl. No. 29/375,265, filed Sep. 20, 2010, Gonzalez, et al.
U.S. Appl. No. 29/375,274, filed Sep. 20, 2010, Gonzalez, et al.

* cited by examiner

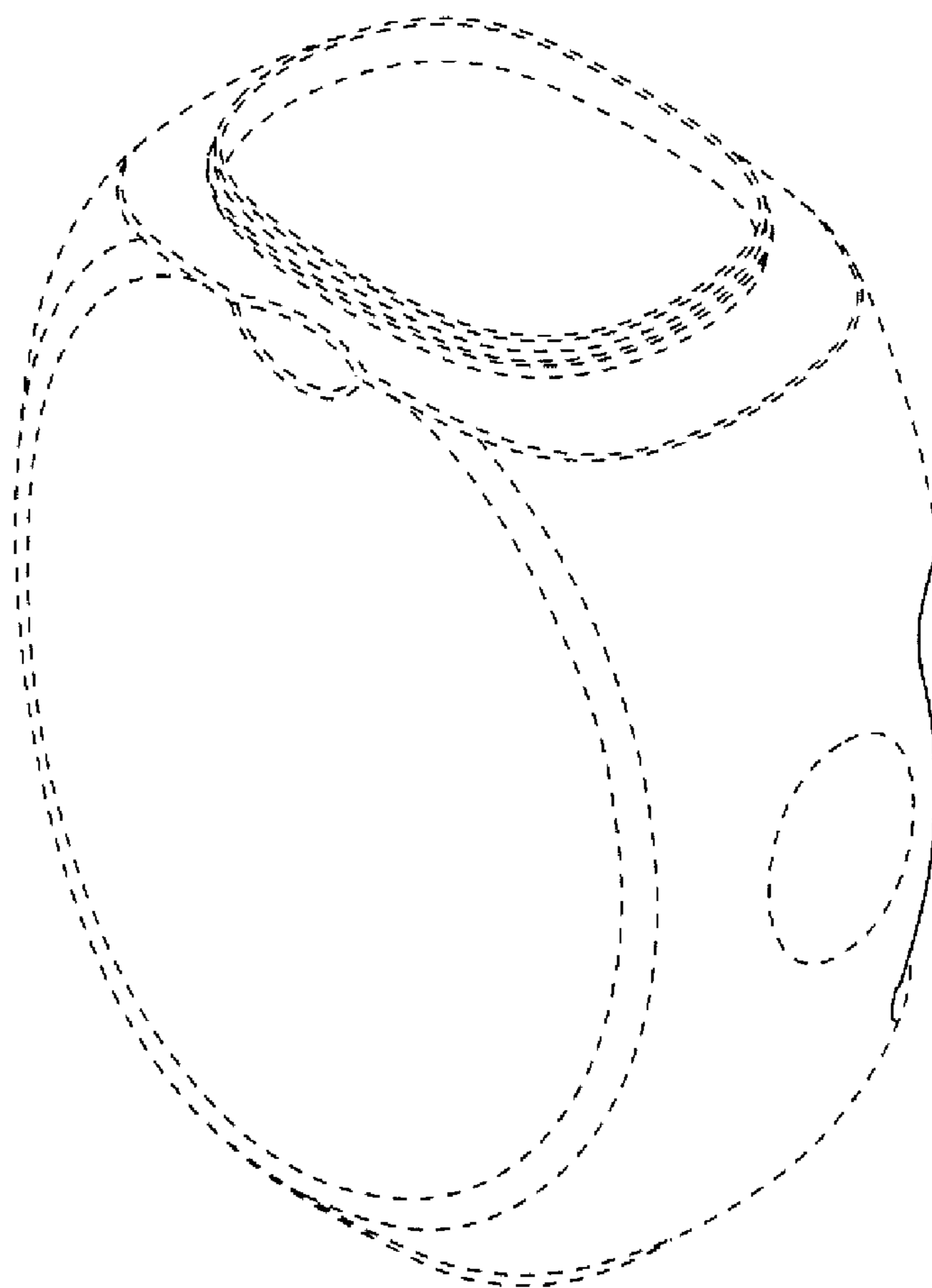


FIG. 1

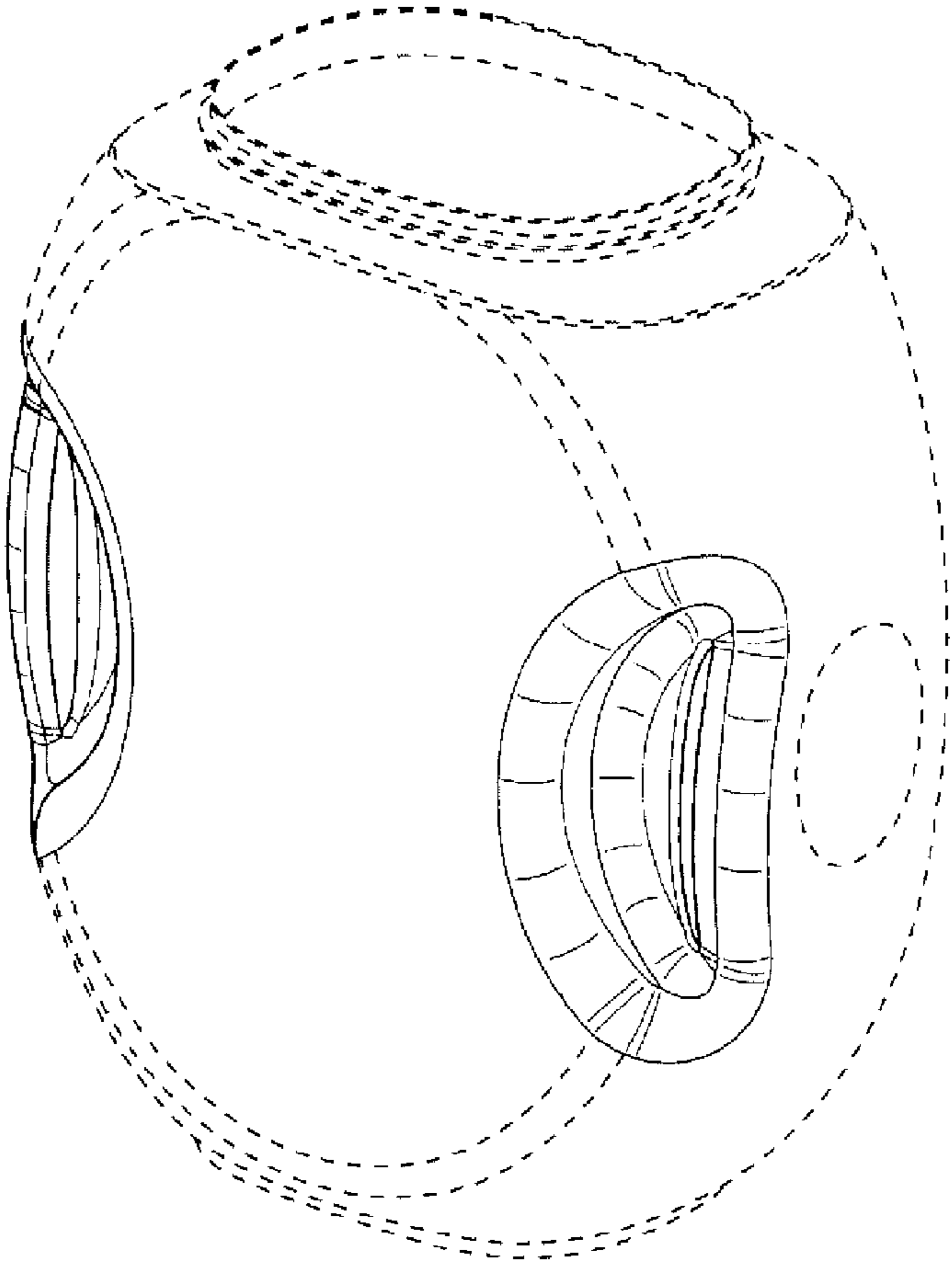


FIG. 2

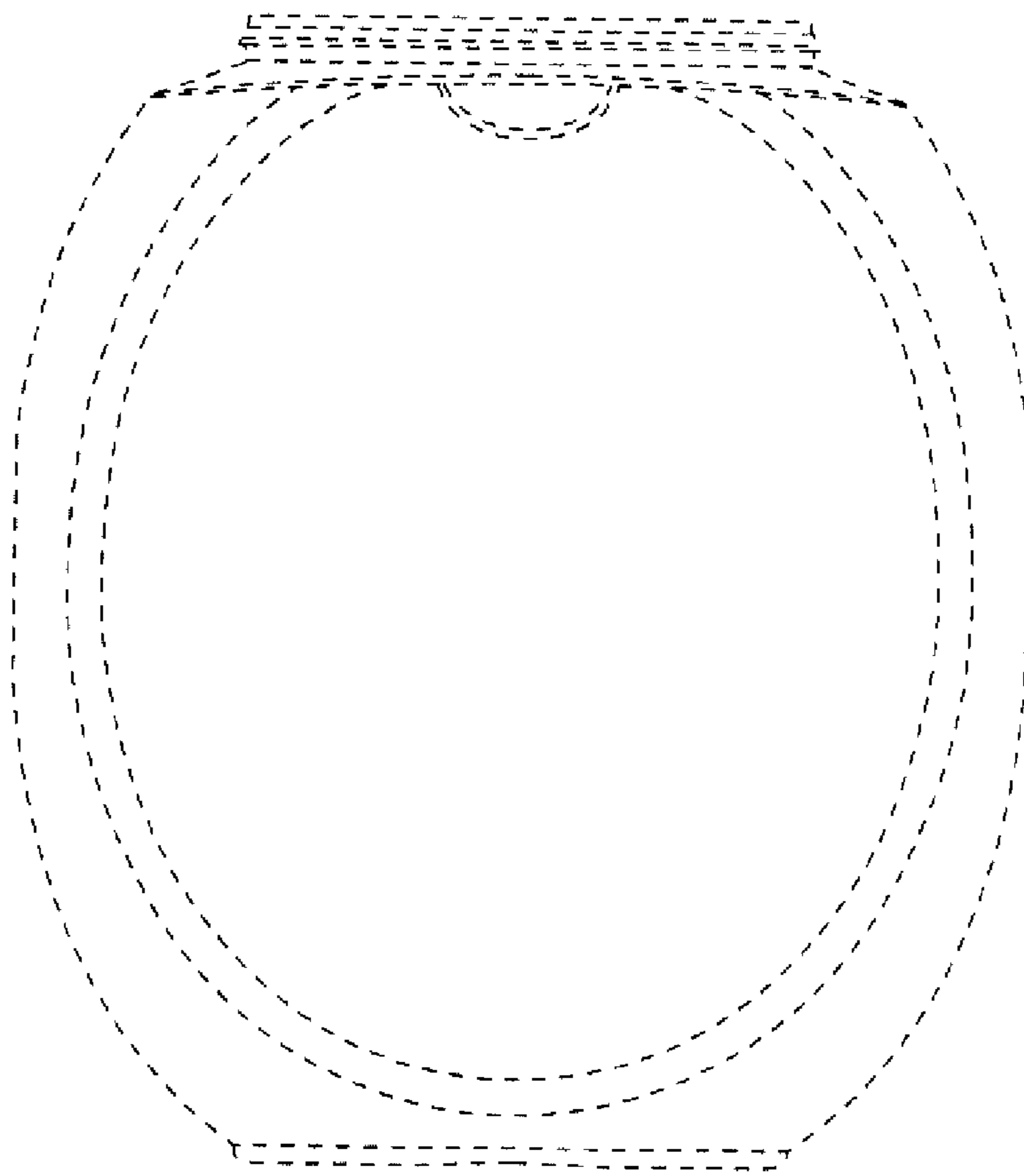


FIG. 3

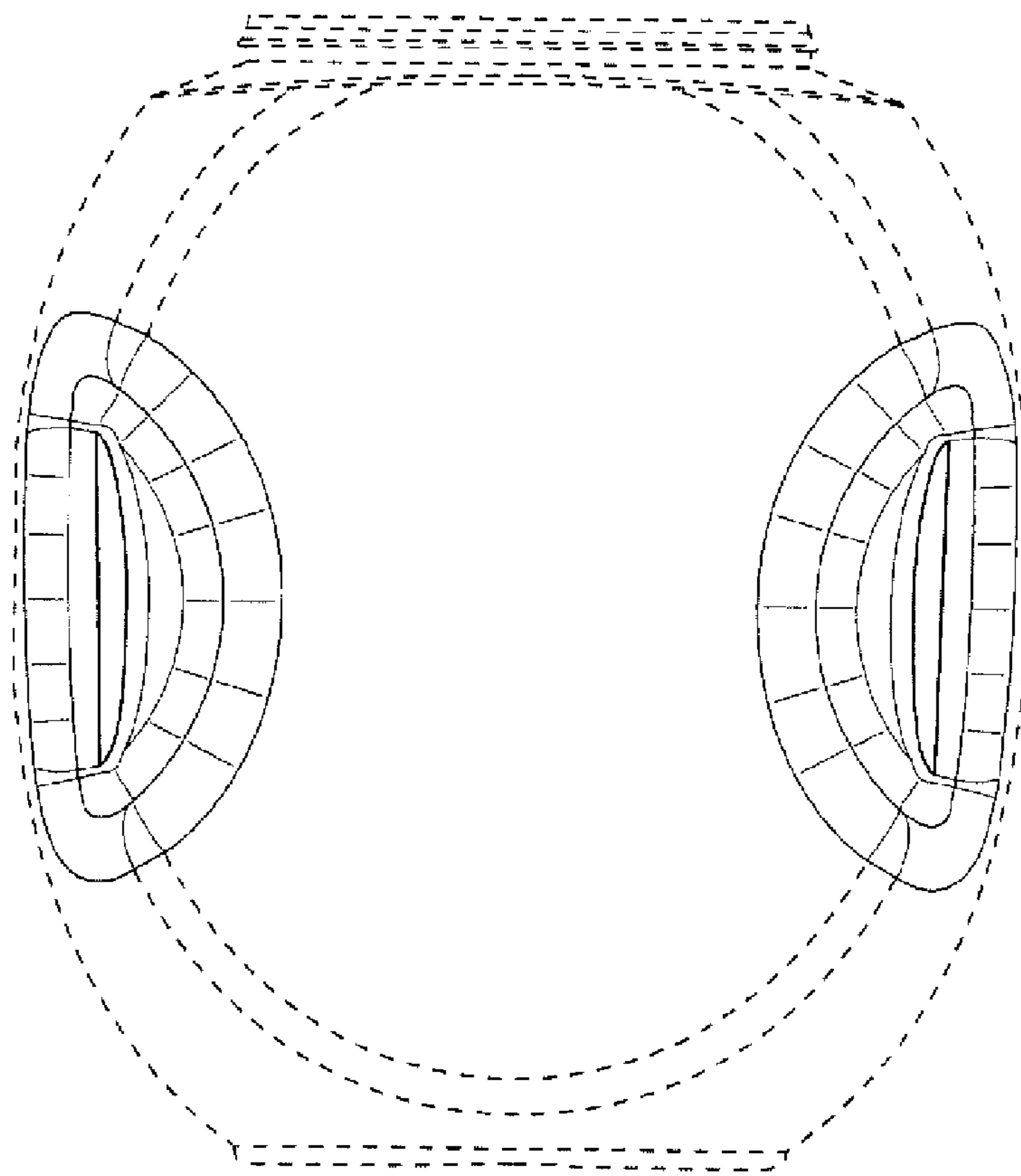


FIG. 4

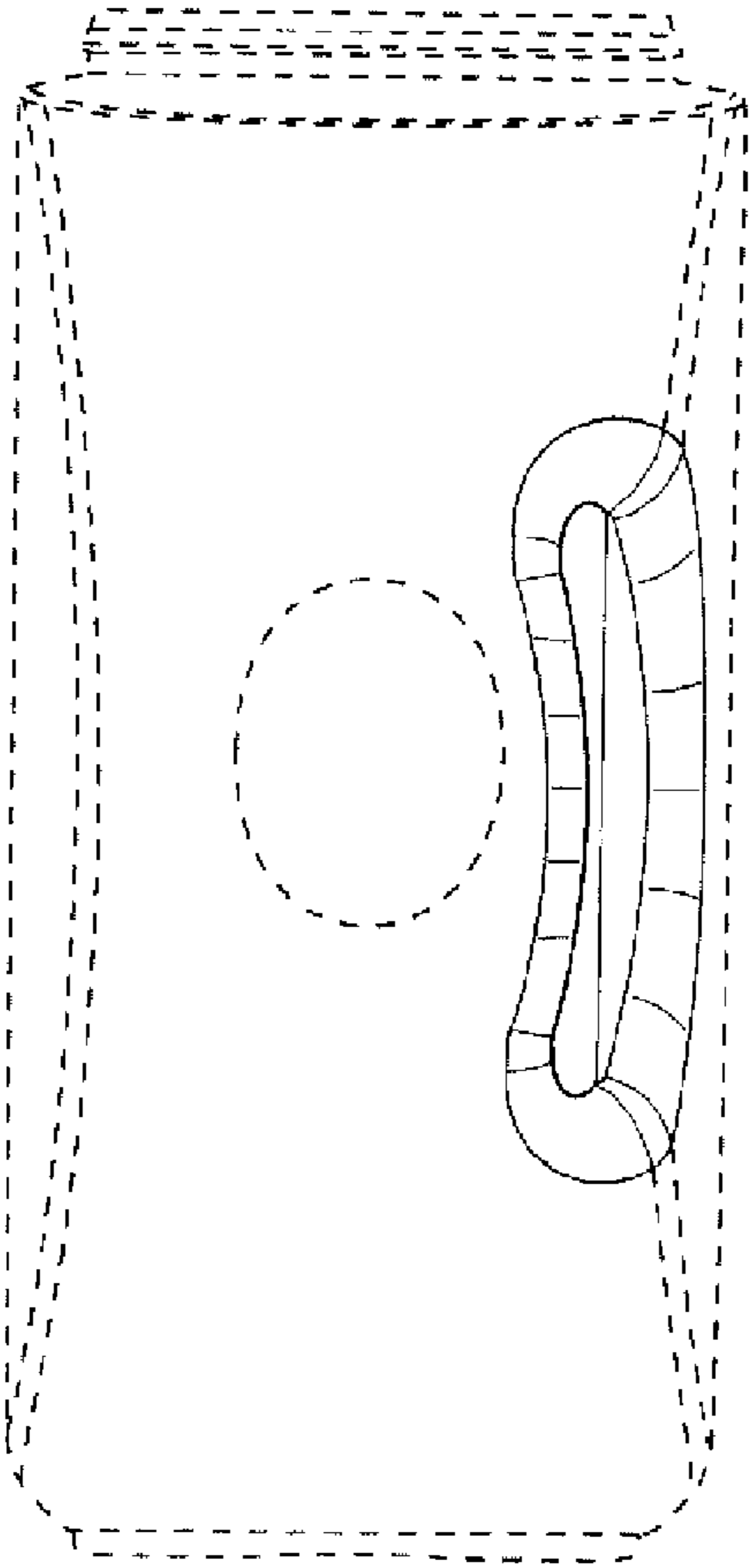


FIG. 5

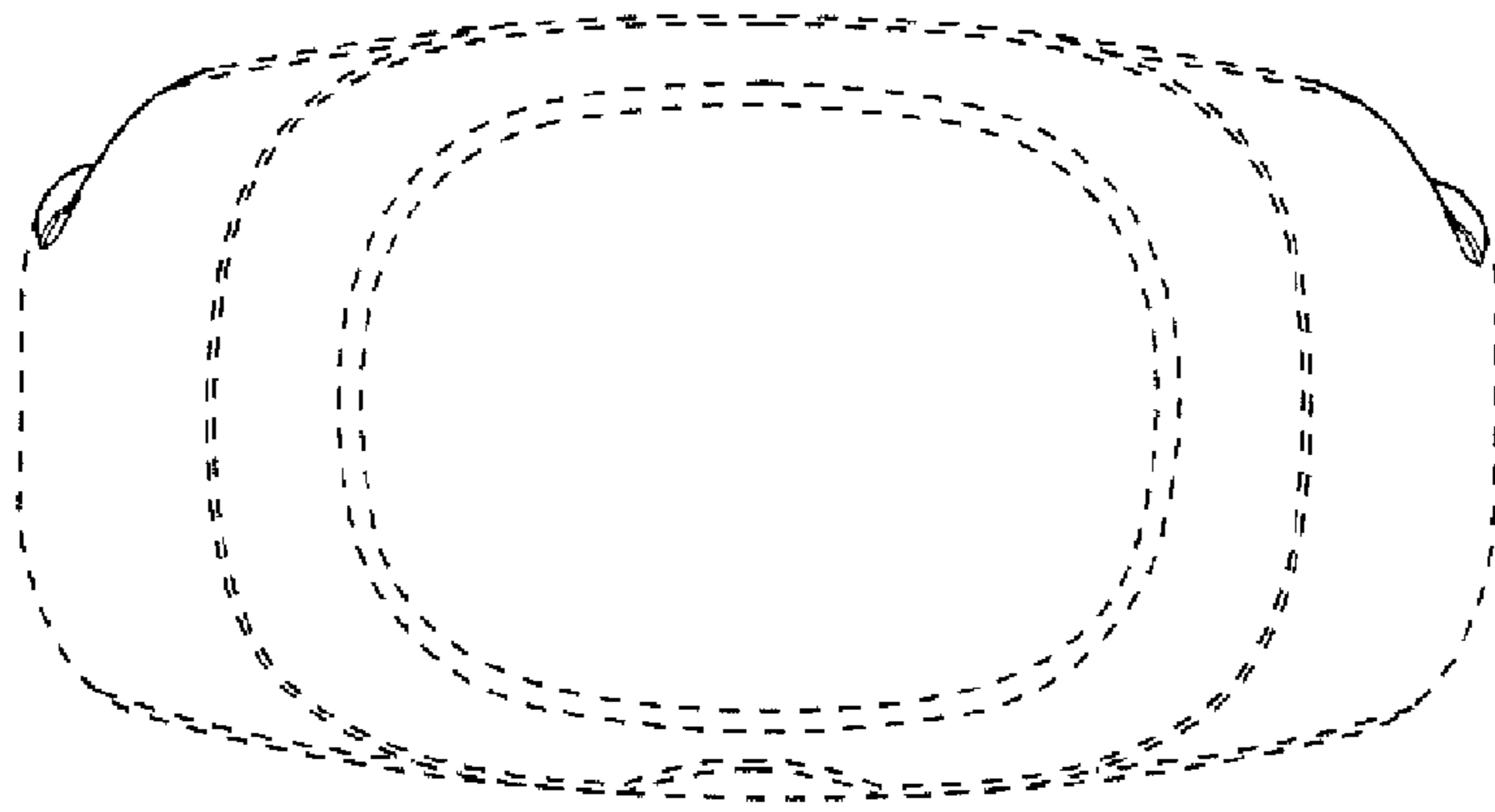


FIG. 6

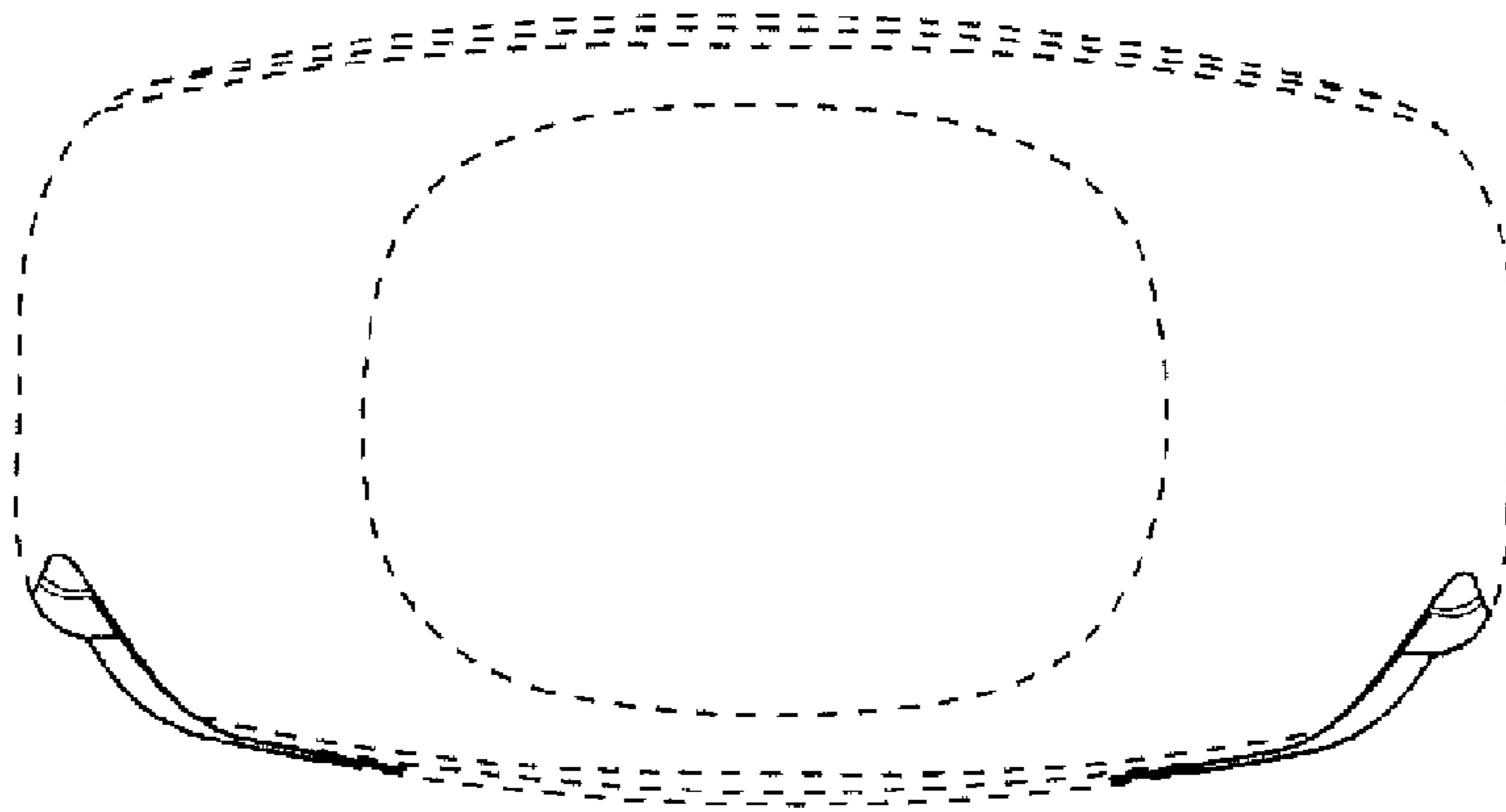


FIG. 7