



US00D666908S

(12) **United States Design Patent**
Dabah et al.

(10) **Patent No.:** **US D666,908 S**

(45) **Date of Patent:** **** Sep. 11, 2012**

(54) **INGREDIENT DISPENSING CAP**

(75) Inventors: **Yaacov Dabah**, Great Neck, NY (US);
Ezra Dabah, Great Neck, NY (US);
Martin Binder, Erie, PA (US); **Coy**
Herald, Erie, PA (US)

(73) Assignee: **Ahhmigo LLC**, New York, NY (US)

(**) Term: **14 Years**

(21) Appl. No.: **29/378,309**

(22) Filed: **Nov. 2, 2010**

(51) **LOC (9) Cl.** **09-07**

(52) **U.S. Cl.** **D9/445**; D9/449; D9/453

(58) **Field of Classification Search** D9/560,
D9/503, 454, 452, 445, 444, 435; D7/393;
220/796, 377, 288, 254.8, 254.7, 254.1, 212;
215/329, 228

See application file for complete search history.

(56) **References Cited**

U.S. PATENT DOCUMENTS

D123,648 S *	11/1940	Holdren	D9/454
D490,315 S *	5/2004	Kiser	D9/445
D547,657 S *	7/2007	Tacchella	D9/454
D589,348 S *	3/2009	Miller et al.	D9/447

* cited by examiner

Primary Examiner — Susan Bennett Hattan

(74) *Attorney, Agent, or Firm* — Dickstein Shapiro LLP

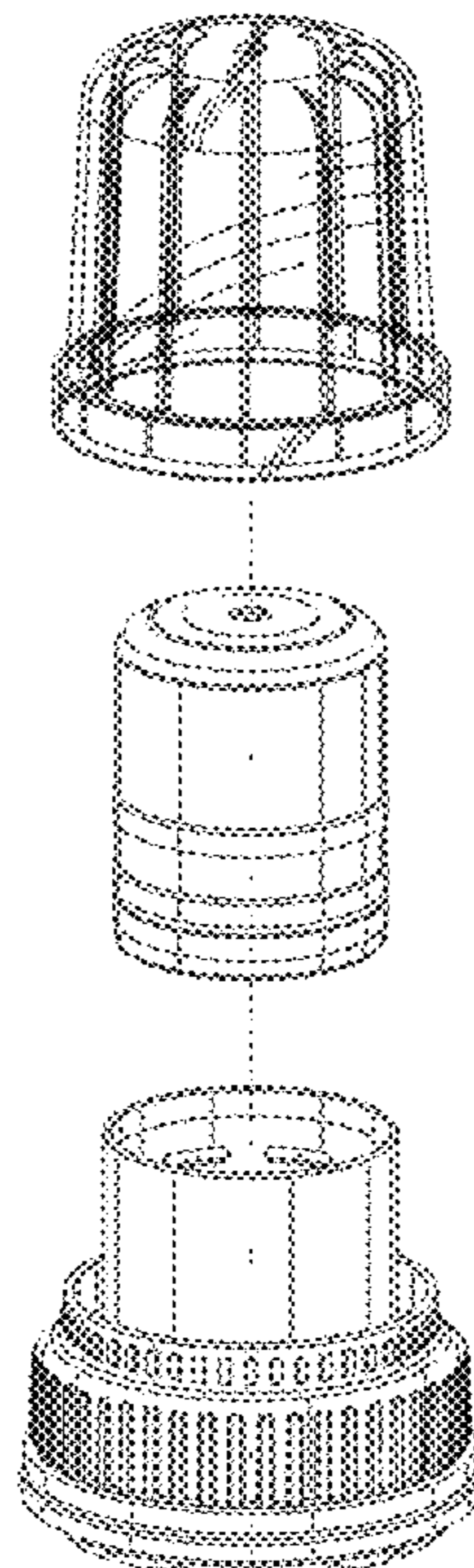
(57) **CLAIM**

The ornamental design for an ingredient dispensing cap, as shown and described.

DESCRIPTION

FIG. 1 is a top and right side perspective view of the COVER, which is one component of the ingredient dispensing cap, showing the new design;
 FIG. 2 is a right side view thereof, wherein the left side view is identical to the right side view;
 FIG. 3 is a top view thereof;
 FIG. 4 is a bottom view thereof;
 FIG. 5 is a bottom and right side perspective view thereof;
 FIG. 6 is a top and right side perspective view of the CHAMBER, which is another component of the ingredient dispensing cap, showing the new design;
 FIG. 7 is a right side view thereof, wherein the left side view is identical to the right side view;
 FIG. 8 is a top view thereof;
 FIG. 9 is a bottom view thereof;
 FIG. 10 is a bottom and right side perspective view thereof;
 FIG. 11 is a top and right side perspective view of the SHELL, which is another component of the ingredient dispensing cap, showing the new design;
 FIG. 12 is a right side view thereof, wherein the left side view is identical to the right side view;
 FIG. 13 is a top view thereof;
 FIG. 14 is a bottom view thereof;
 FIG. 15 is a bottom and right side perspective view thereof;
 FIG. 16 is a top and right side perspective view of the assembled ingredient dispensing cap, including the COVER, the CHAMBER, and the SHELL, showing the new design;
 FIG. 17 is a top and right side exploded perspective view thereof; and,
 FIG. 18 is another bottom and right side perspective view of the SHELL.

1 Claim, 18 Drawing Sheets



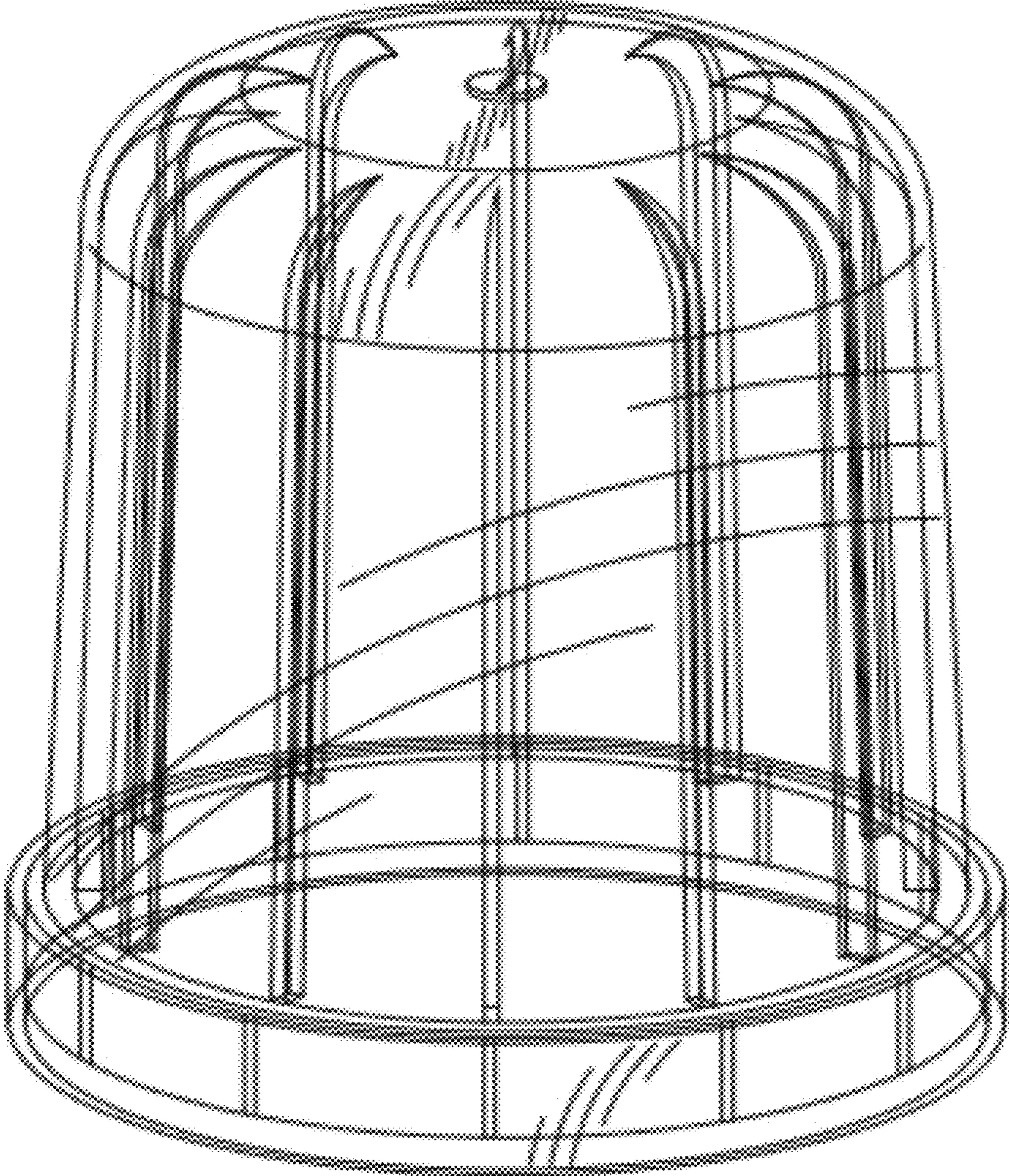


FIG. 1

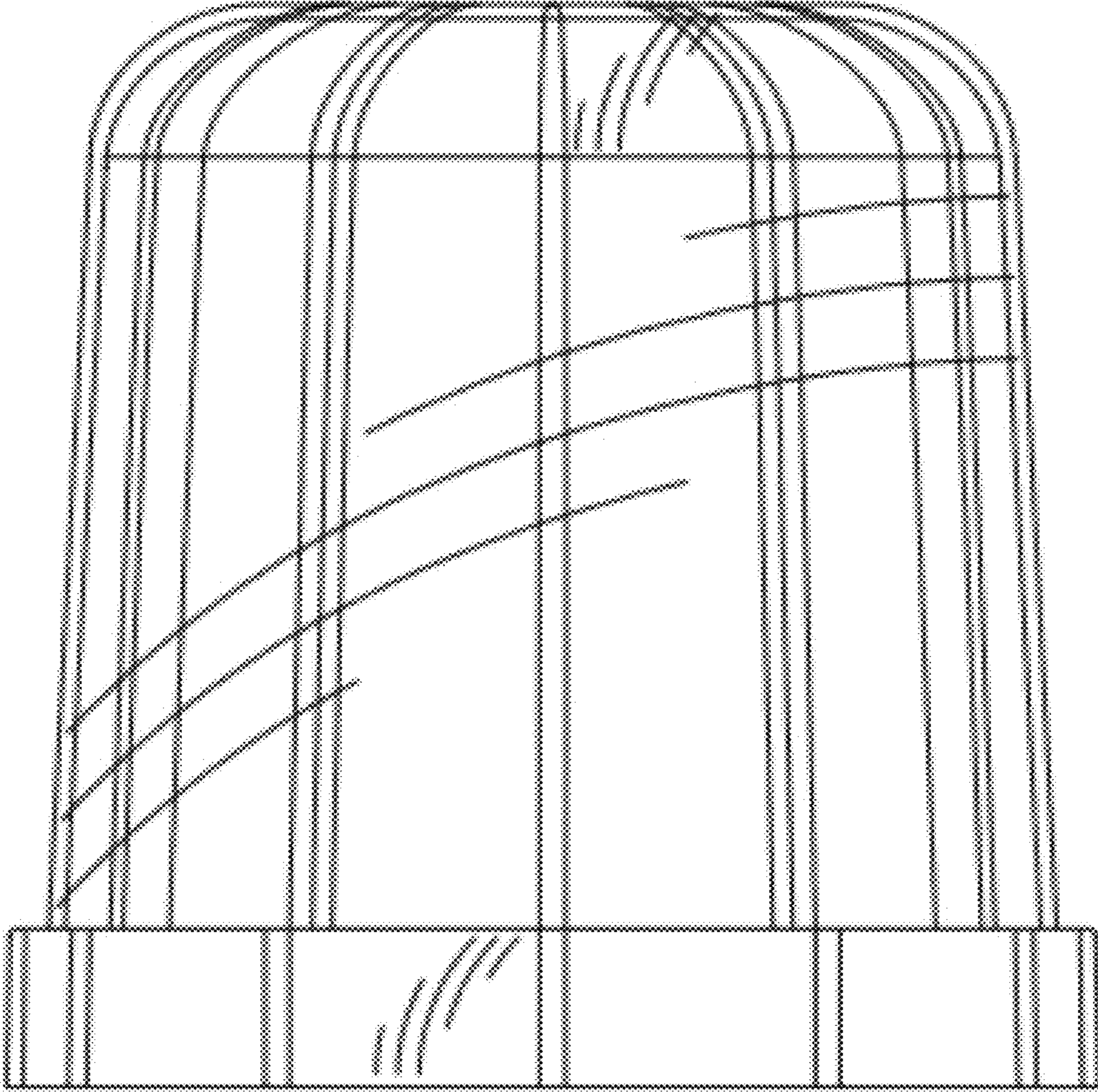


FIG. 2

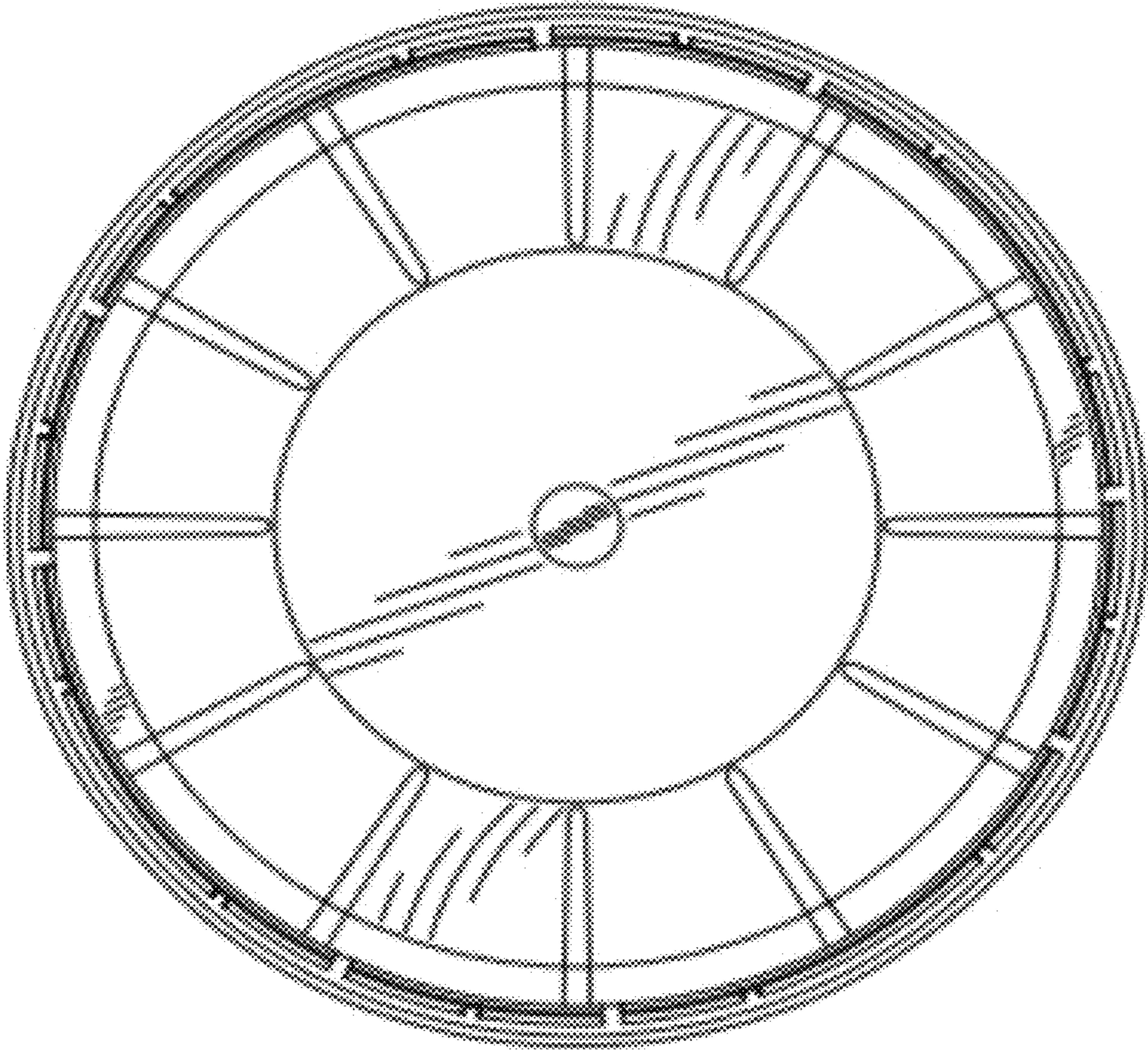


FIG. 3

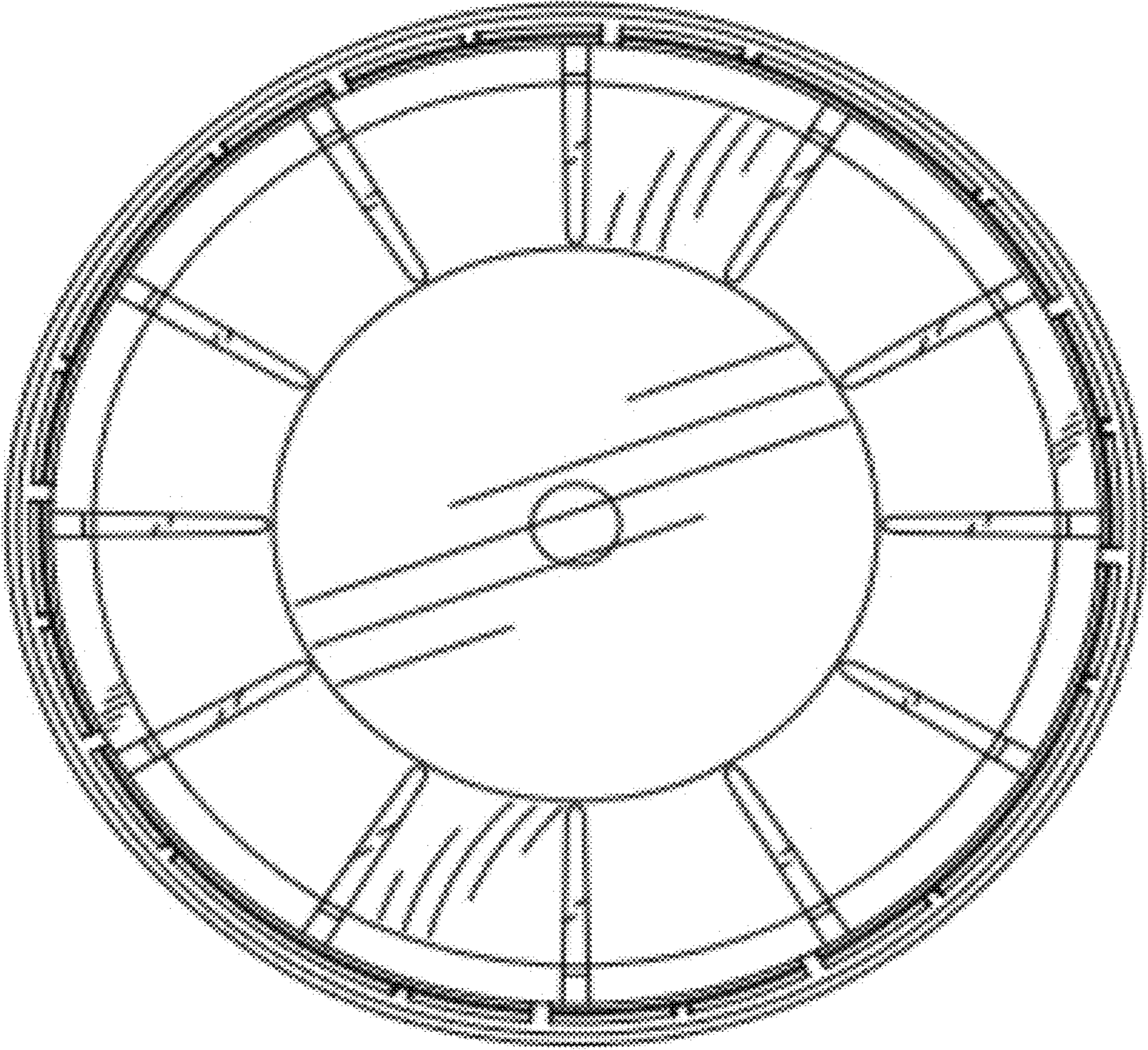


FIG. 4

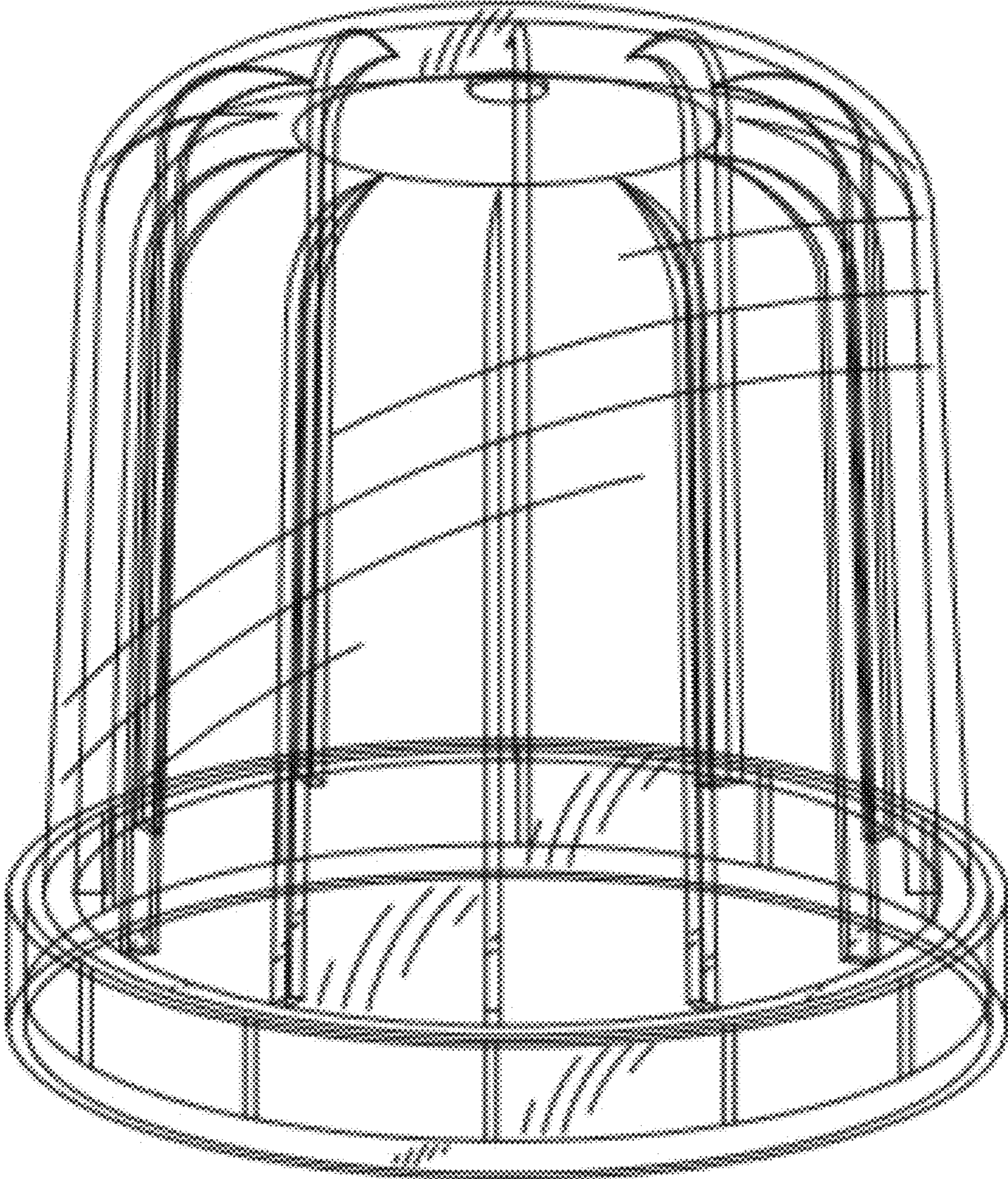


FIG. 5

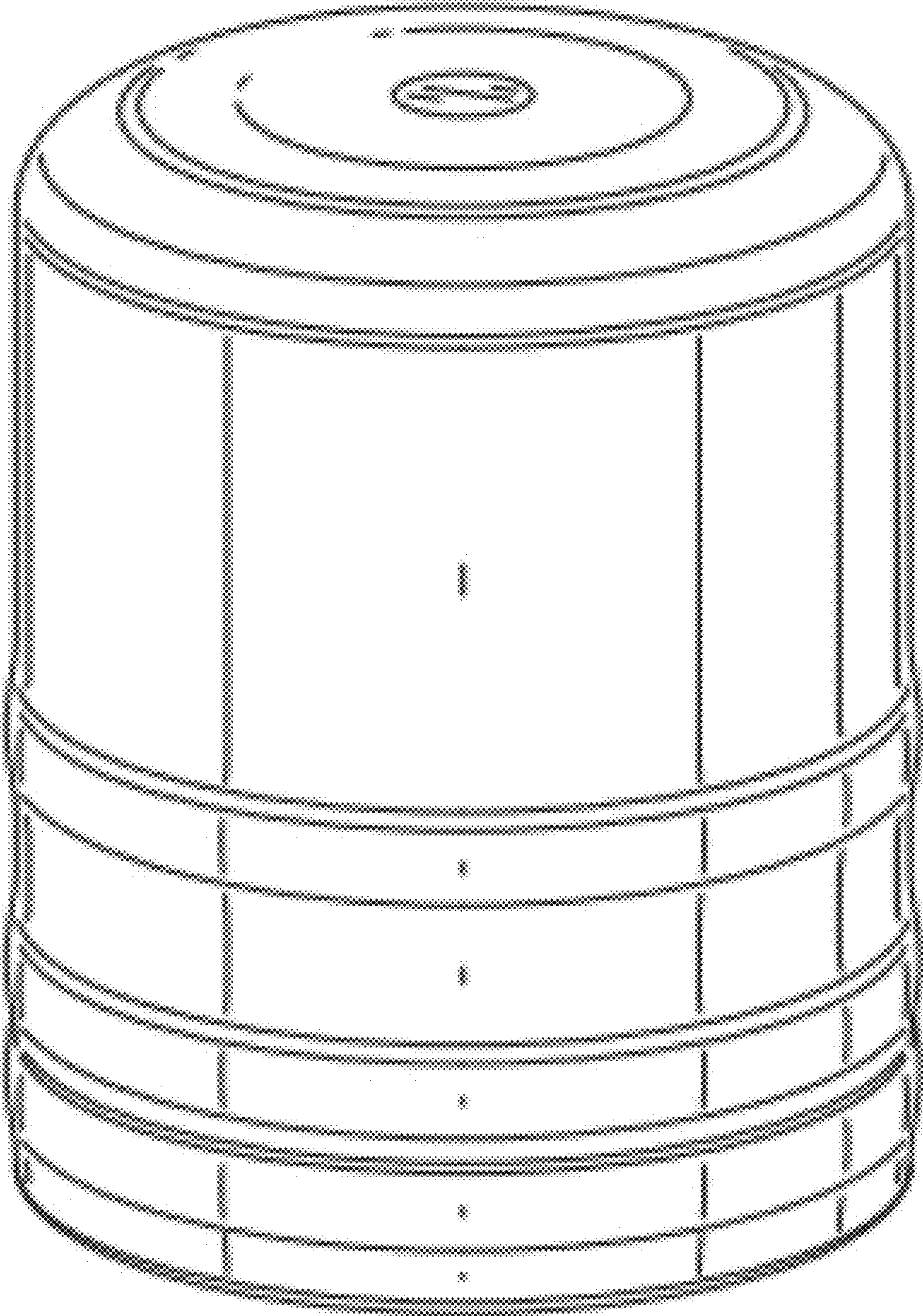


FIG. 6

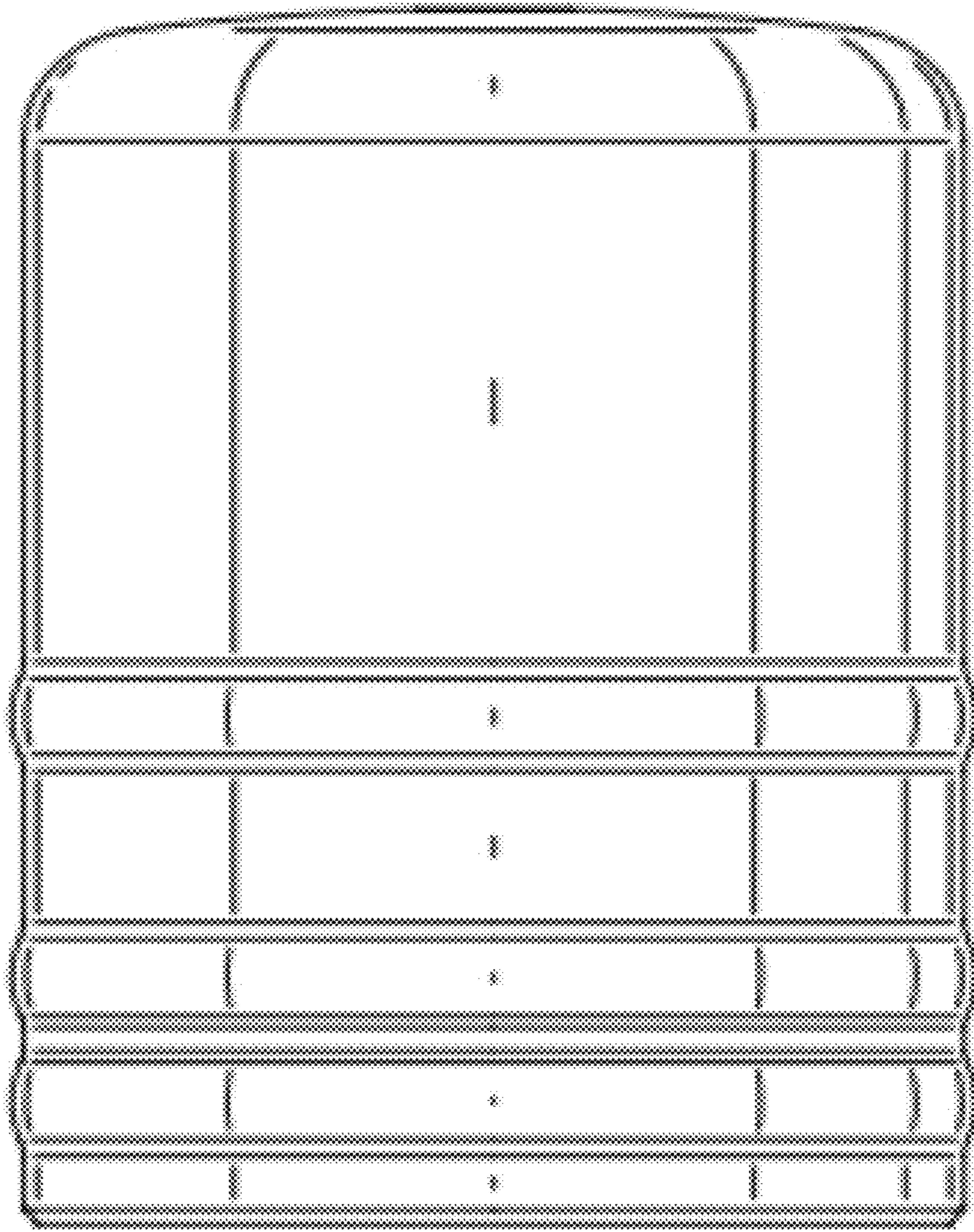


FIG. 7

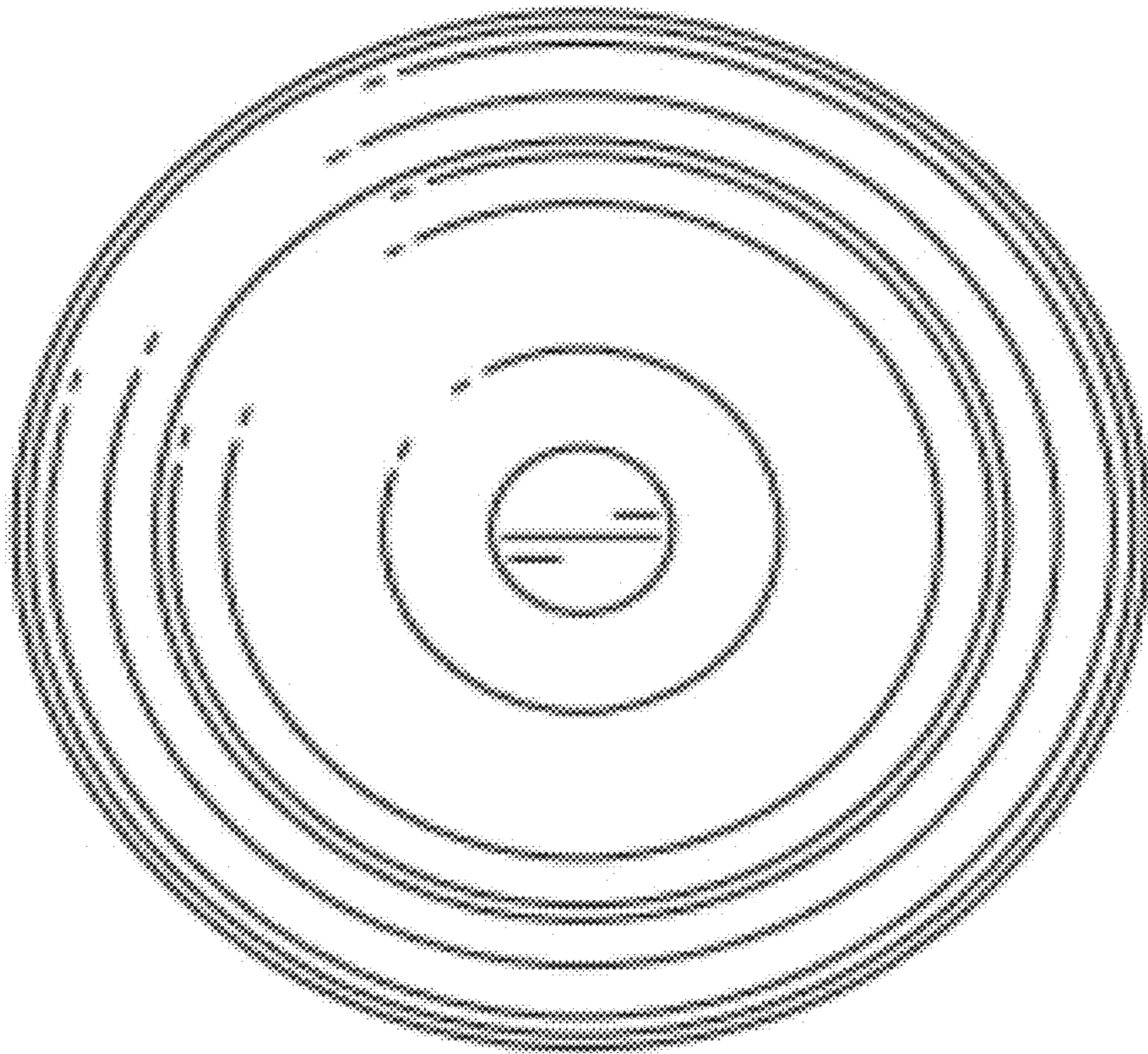


FIG. 8

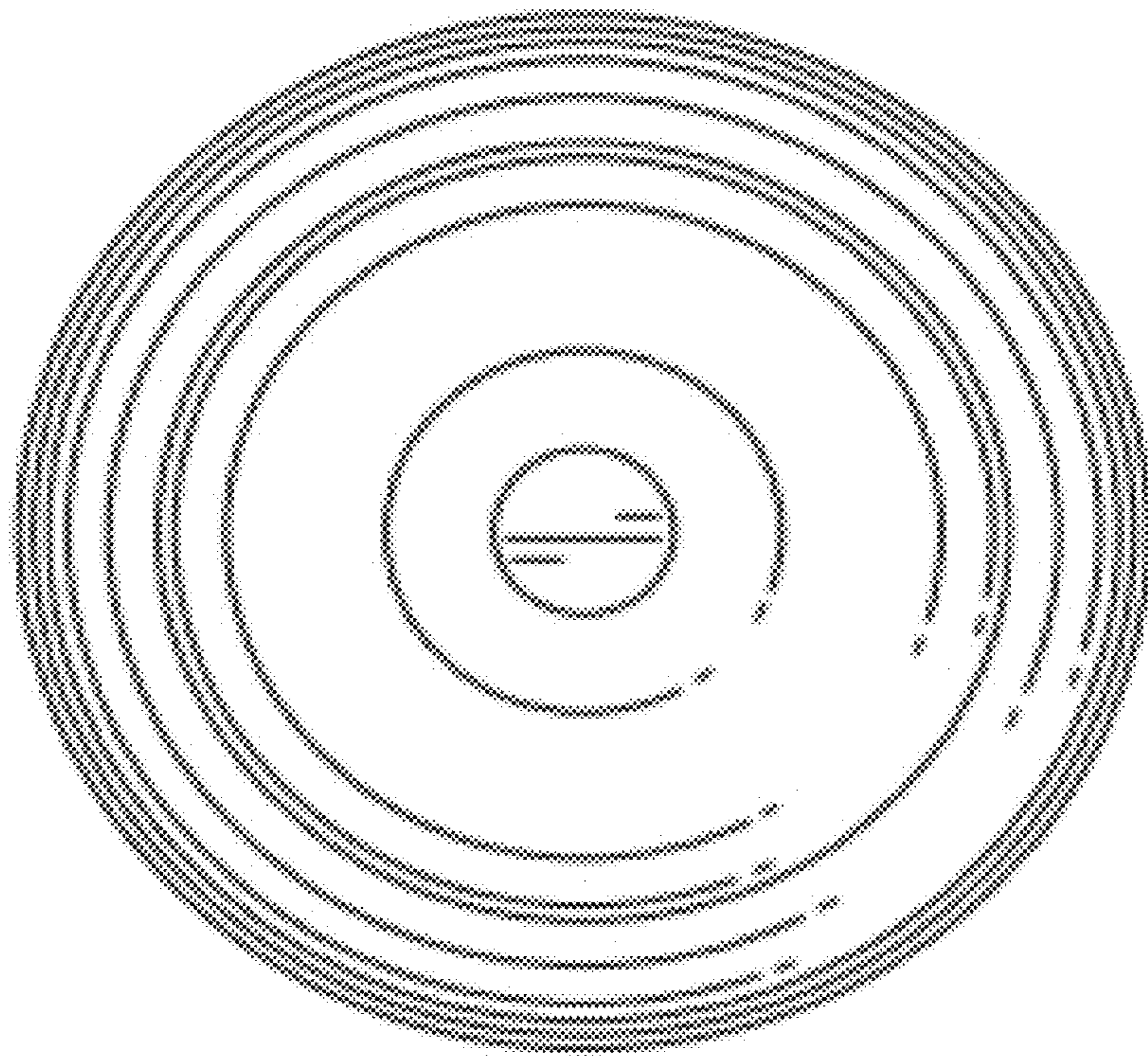


FIG. 9

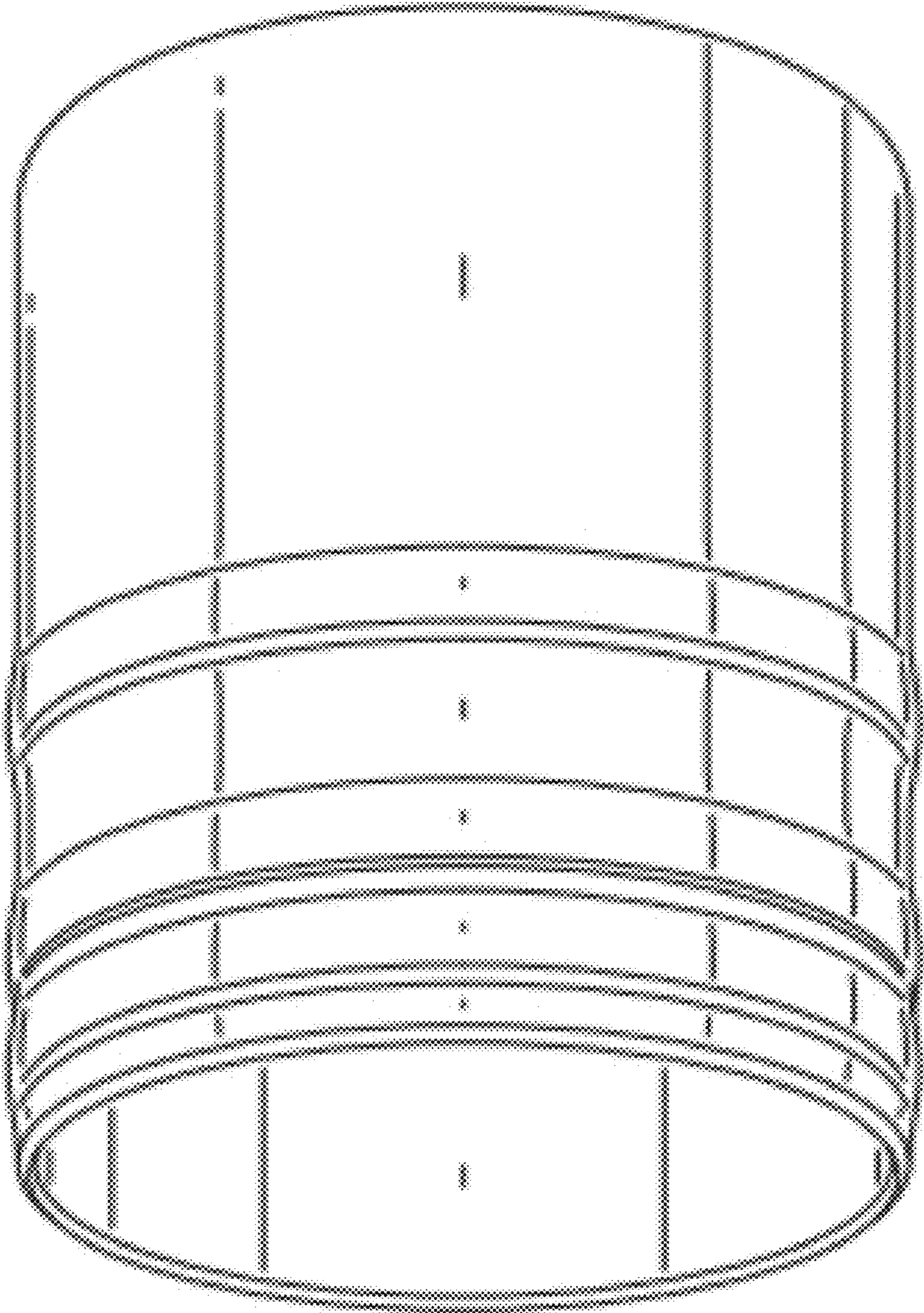


FIG. 10

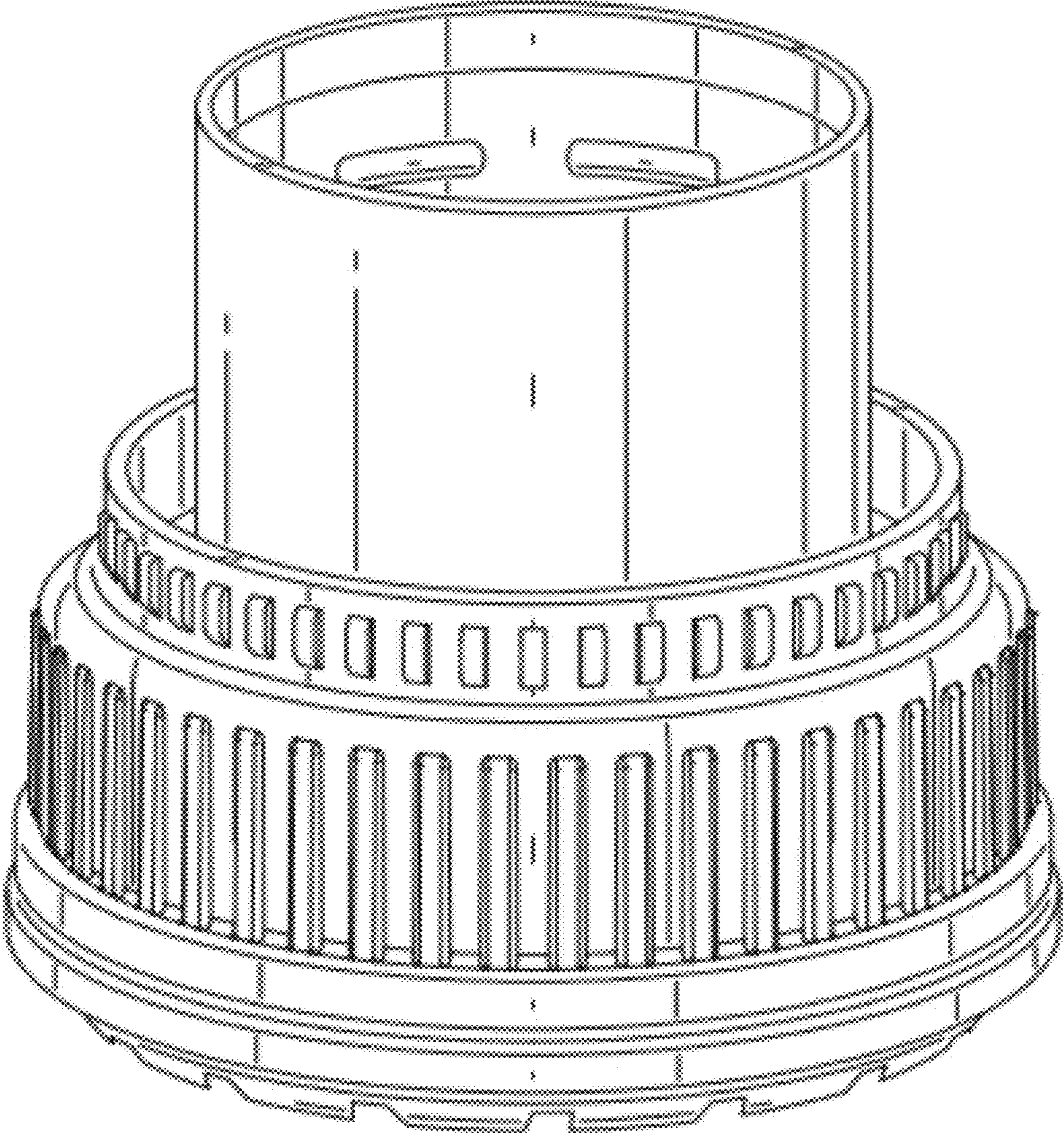


FIG. 11

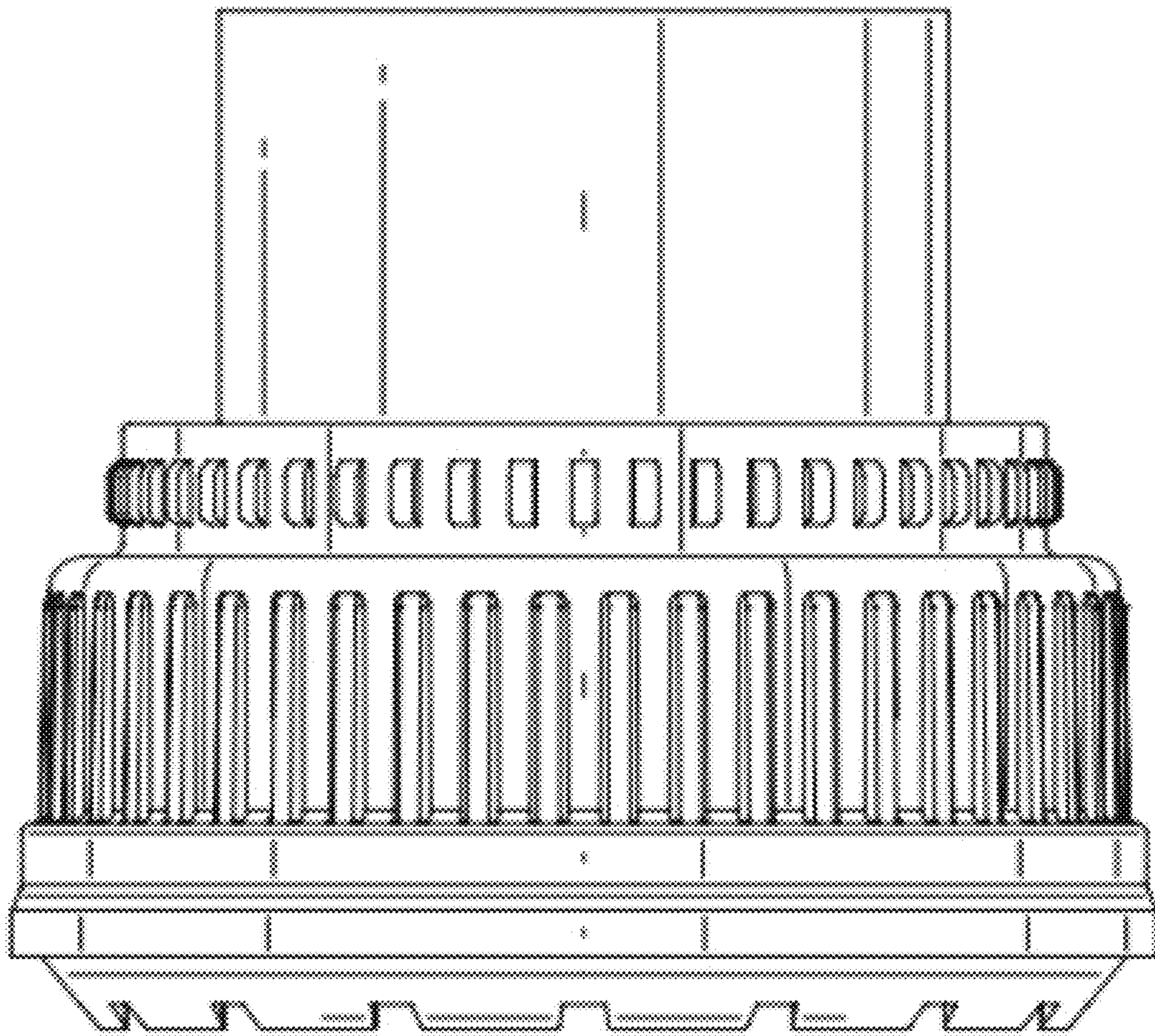


FIG. 12

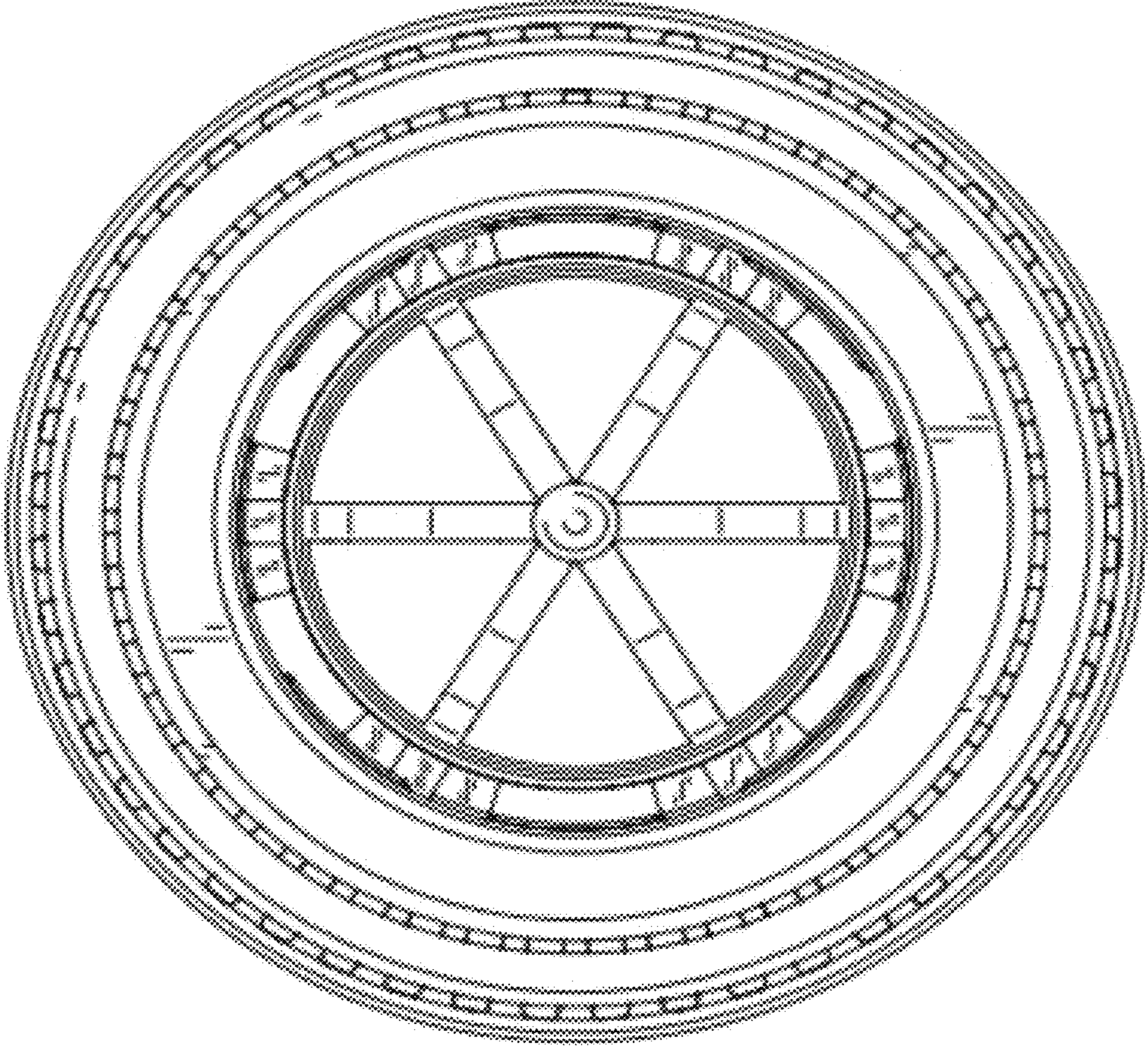


FIG. 13

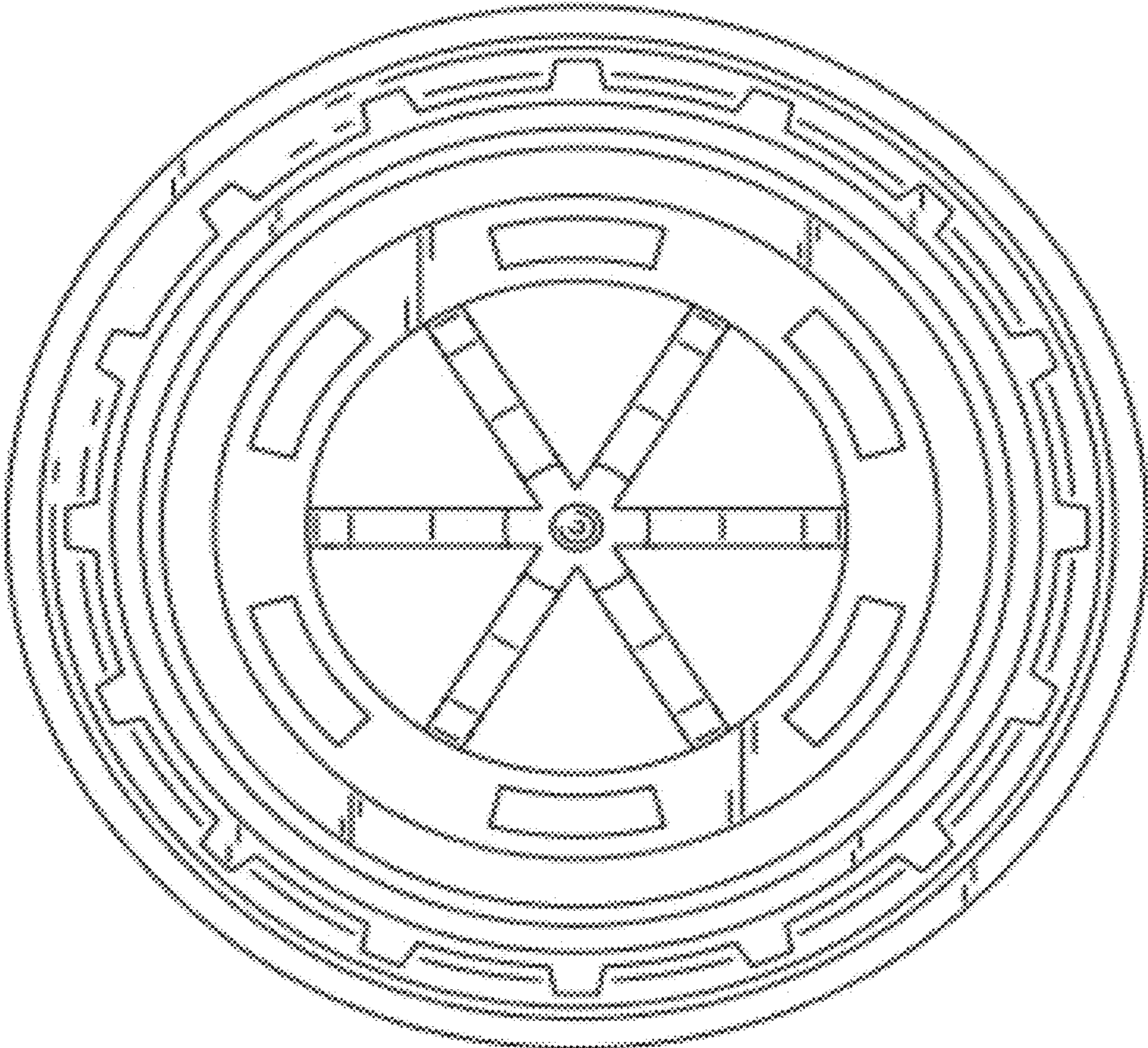


FIG. 14

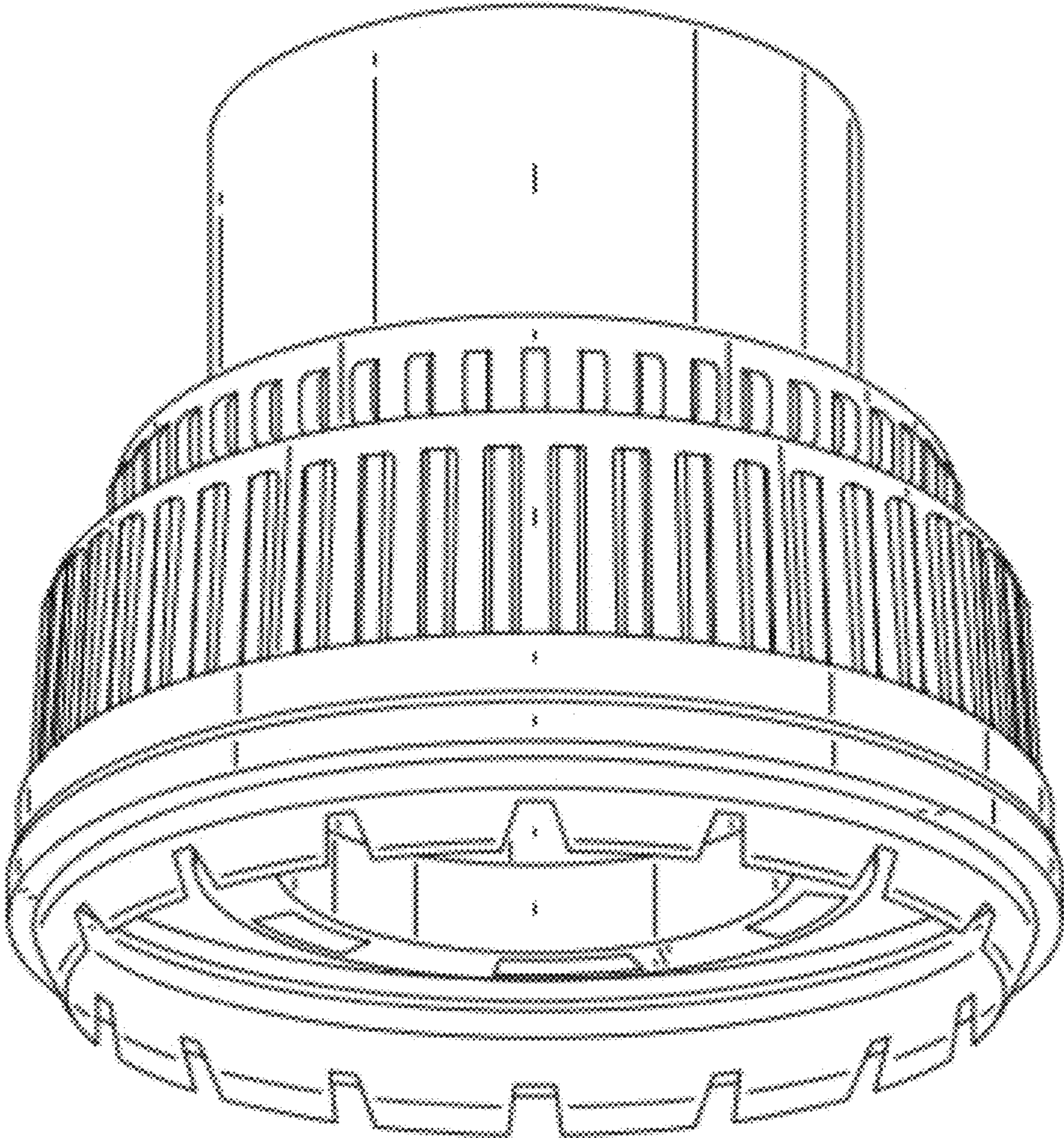


FIG. 15

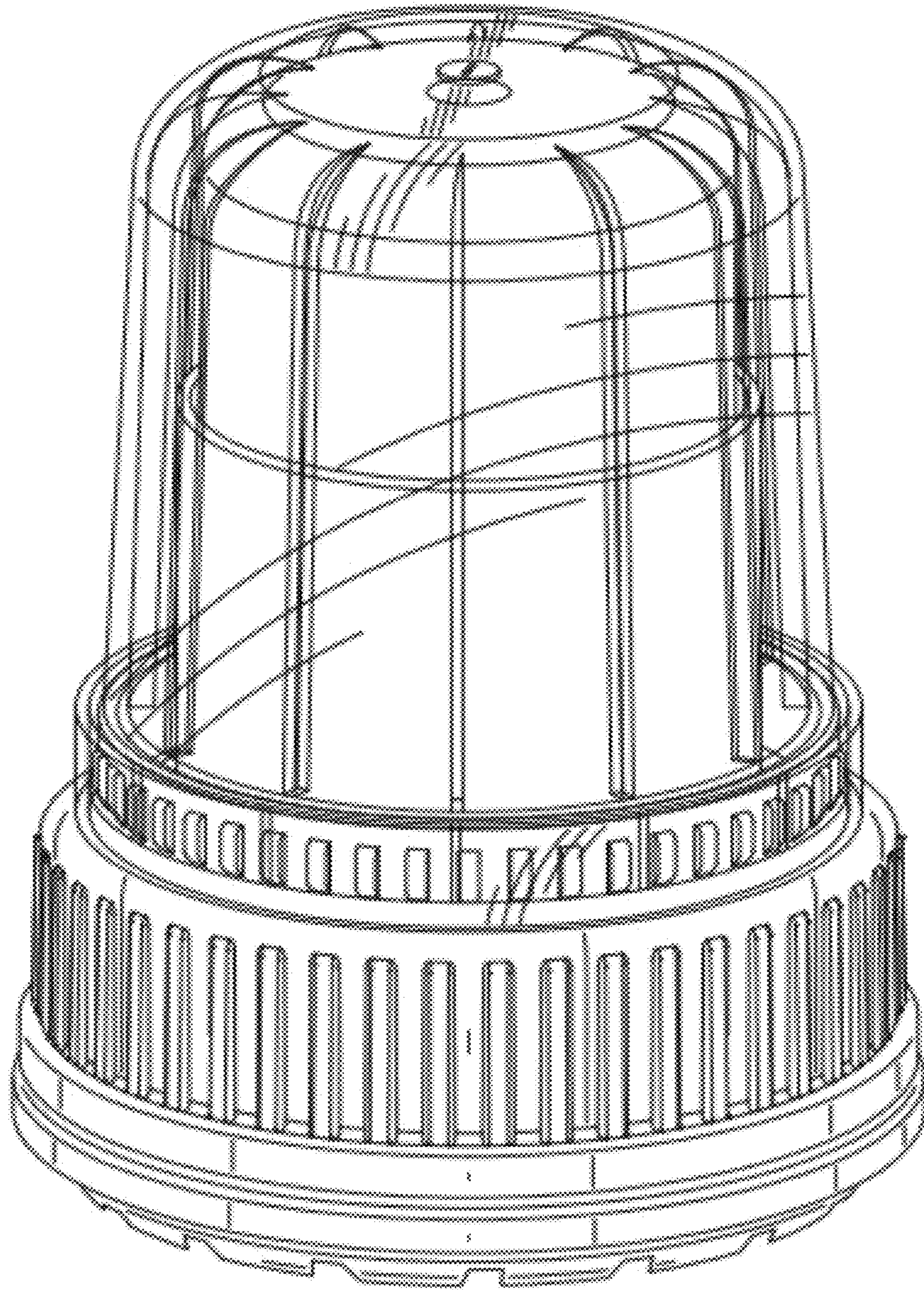


FIG. 16

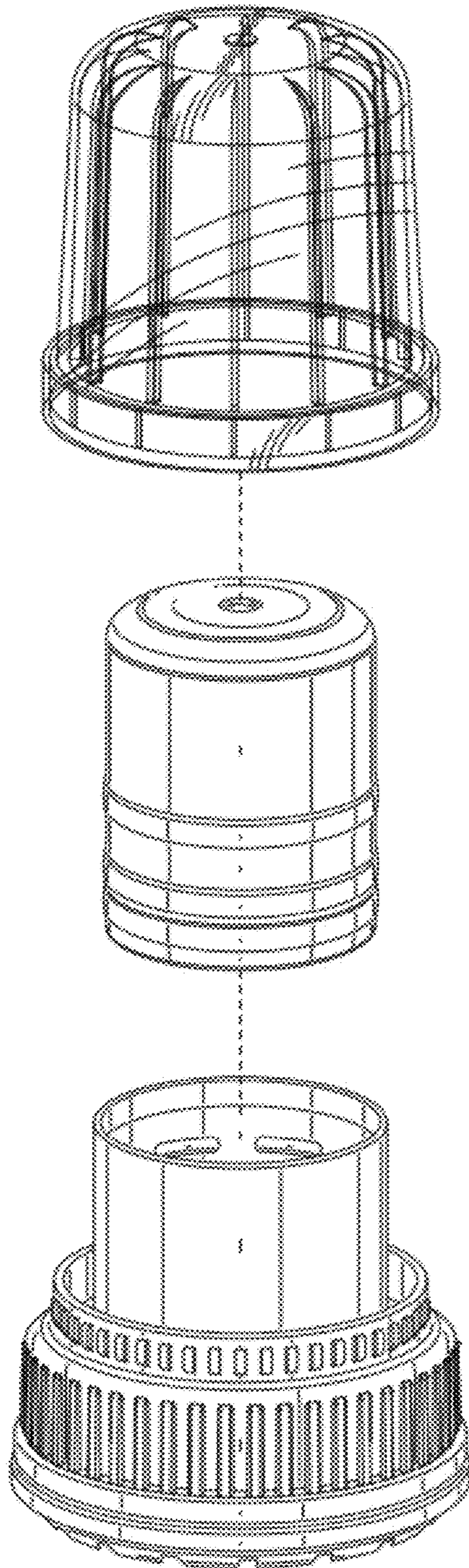


FIG. 17

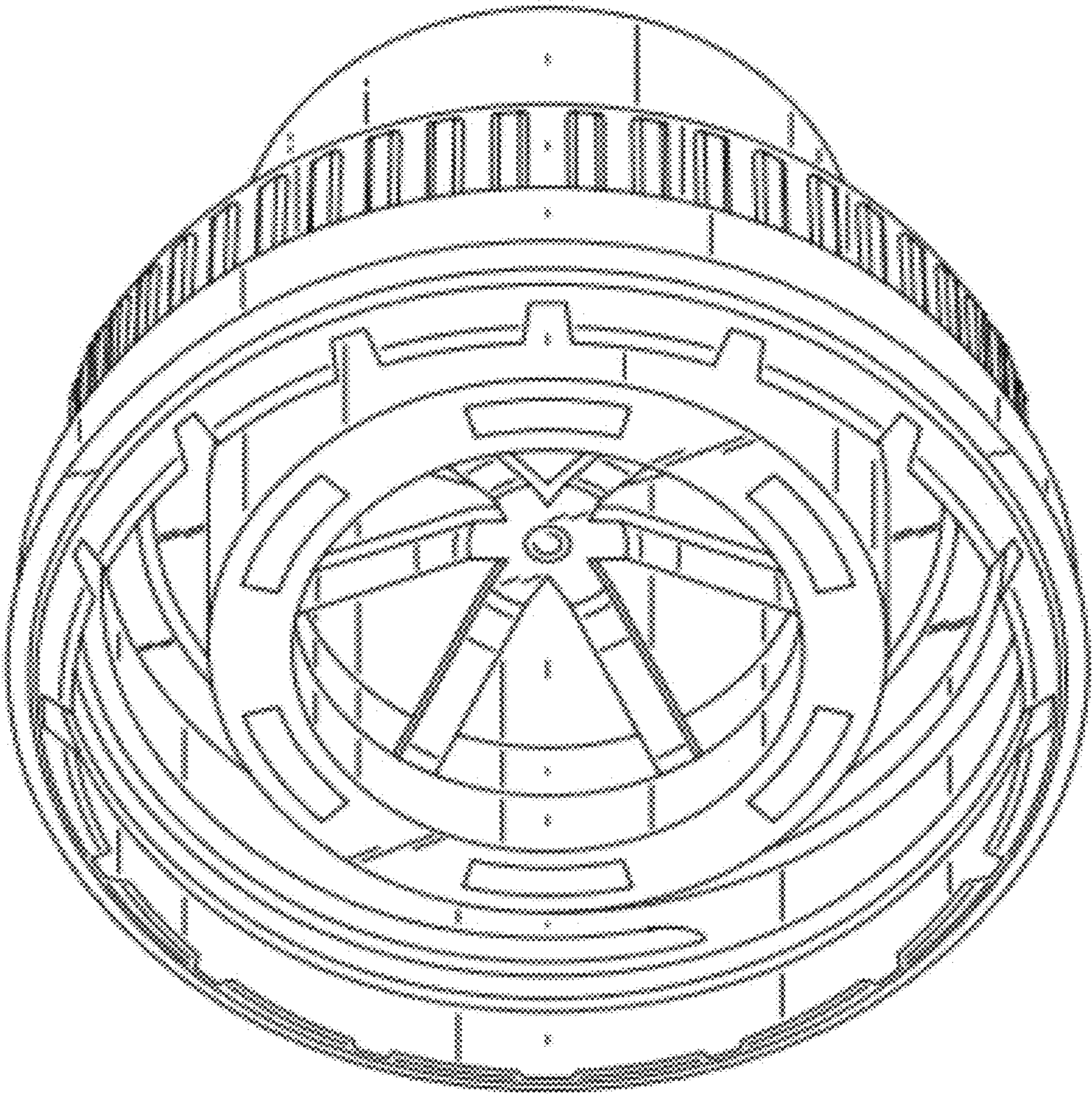


FIG. 18