



US00D666905S

(12) **United States Design Patent**
Ramirez et al.

(10) **Patent No.:** **US D666,905 S**

(45) **Date of Patent:** **** Sep. 11, 2012**

(54) **CONTAINER**

(75) Inventors: **Cesar E. Ramirez**, Los Angeles, CA
(US); **Gandhi B. Sifuentes**, West
Covina, CA (US)

(73) Assignee: **Direct Pack, Inc.**, Sun Valley, CA (US)

(**) Term: **14 Years**

(21) Appl. No.: **29/417,667**

(22) Filed: **Apr. 6, 2012**

(51) **LOC (9) Cl.** **09-03**

(52) **U.S. Cl.** **D9/424**

(58) **Field of Classification Search** D9/424,
D9/414, 418-423, 425, 428-432, 435, 436,
D9/455, 499; D3/202, 273, 328; D7/538,
D7/543, 601, 602, 604, 608, 610, 612, 629;
206/486, 488, 490, 503, 504, 557, 562, 565,
206/521.1, 775, 776, 815, 822; 220/676,
220/781, 786, 789, 790, 793, 912; 229/406,
229/407, 906, 915, 925; 426/120

See application file for complete search history.

(56) **References Cited**

U.S. PATENT DOCUMENTS

D256,650 S * 9/1980 Juster D7/629
D270,619 S * 9/1983 Zimmer D9/424

D299,106 S * 12/1988 Pomroy D7/325
D306,974 S * 4/1990 Tholstrup D9/424
D390,460 S * 2/1998 Schmidt D9/428
D502,870 S * 3/2005 Bennett et al. D9/428
7,118,003 B2 * 10/2006 Sellari et al. 220/266
D610,448 S * 2/2010 Drozek et al. D9/424
D627,218 S * 11/2010 Golota et al. D9/424

* cited by examiner

Primary Examiner — Derrick Holland

(74) *Attorney, Agent, or Firm* — Frost Brown Todd LLC

(57) **CLAIM**

The ornamental design for a container, as shown and described.

DESCRIPTION

FIG. 1 is a top perspective view of a container, showing our new design;

FIG. 2 is a bottom perspective view thereof;

FIG. 3 is a right elevation view thereof;

FIG. 4 is a left elevation view thereof;

FIG. 5 is a front elevation view thereof;

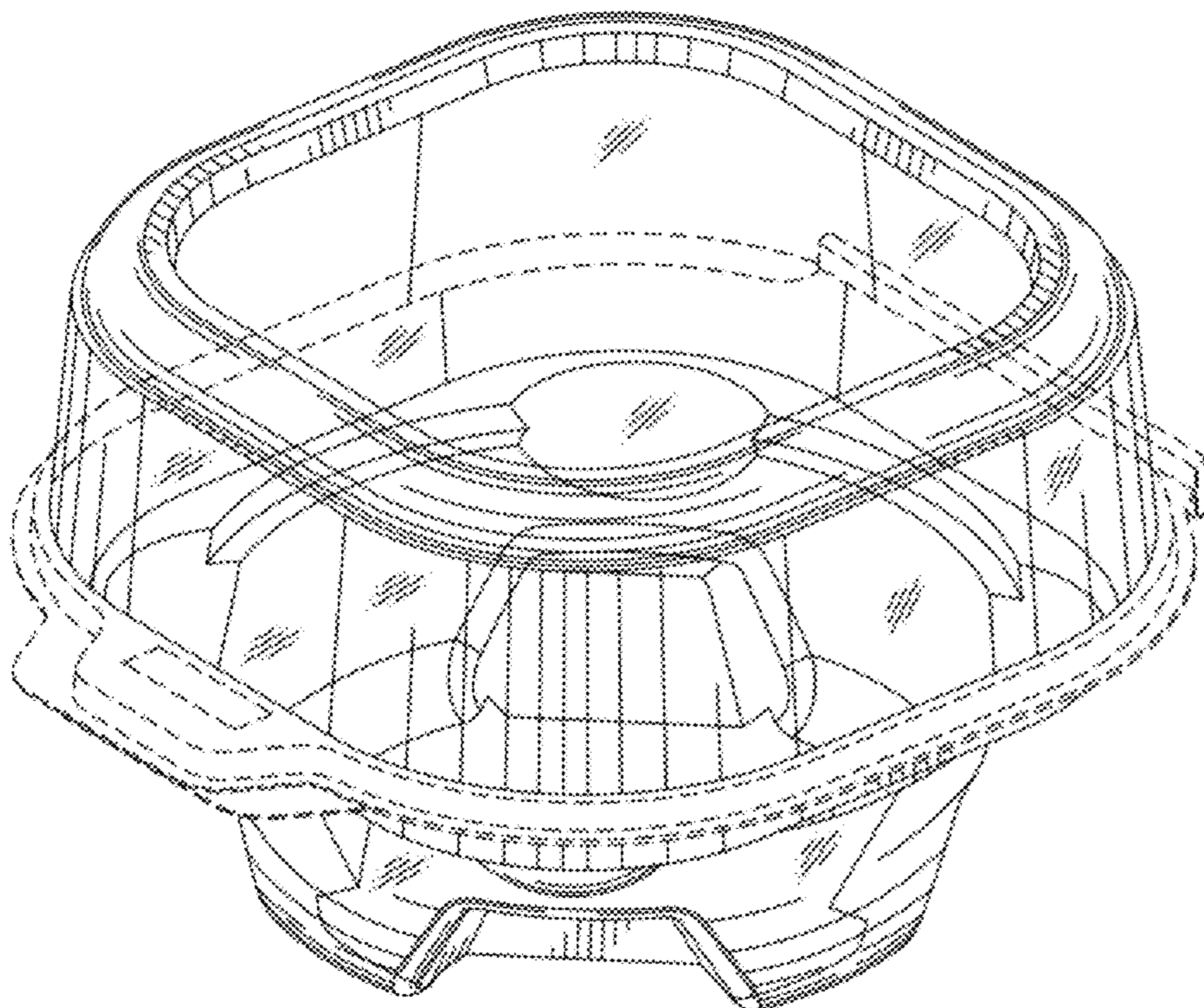
FIG. 6 is a rear elevation view thereof;

FIG. 7 is a top plan view thereof; and,

FIG. 8 is a bottom plan view thereof.

The hinge and lid retention features shown in broken lines are unclaimed environment, and form no part of the claimed design.

1 Claim, 8 Drawing Sheets



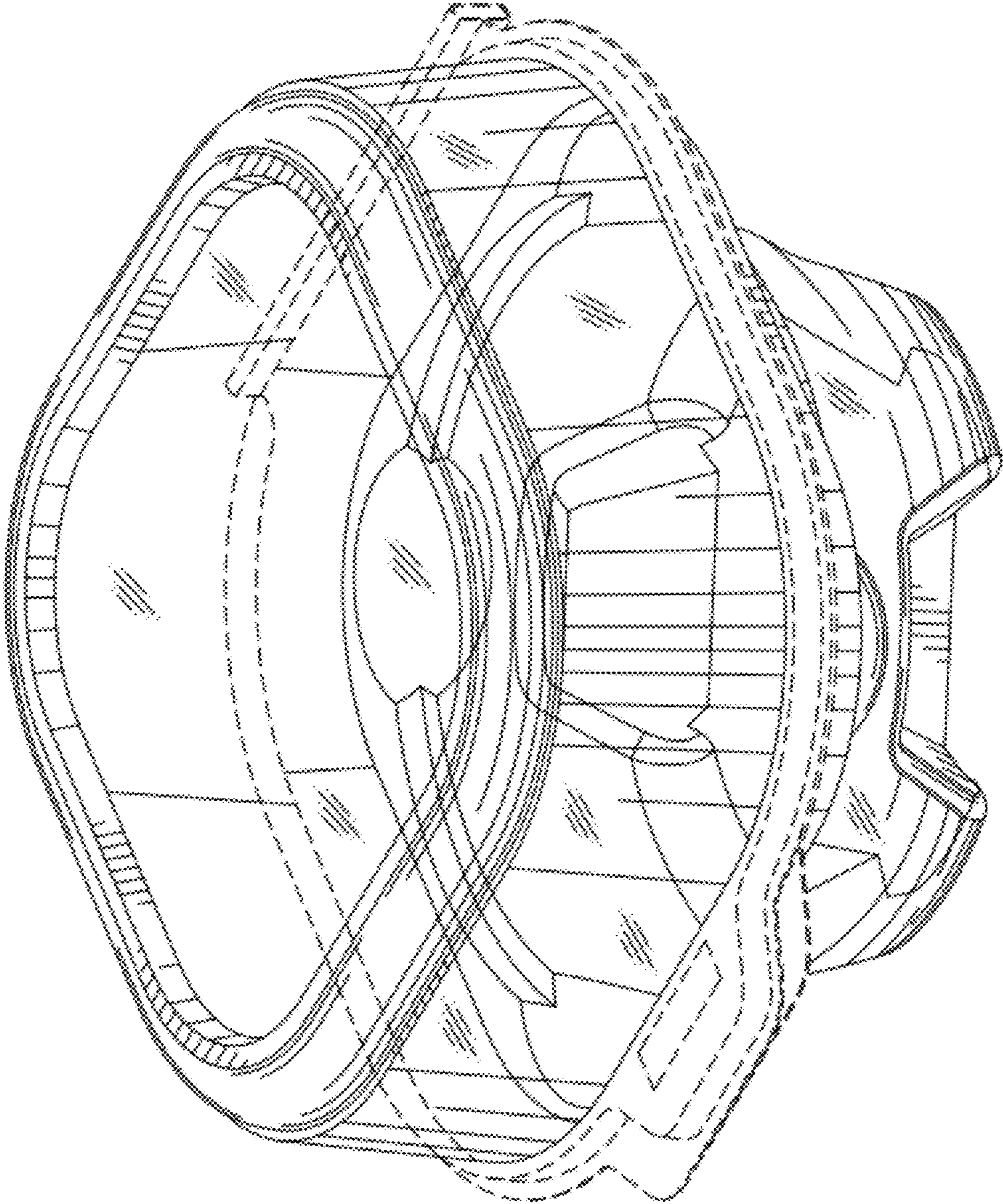


Fig. 1

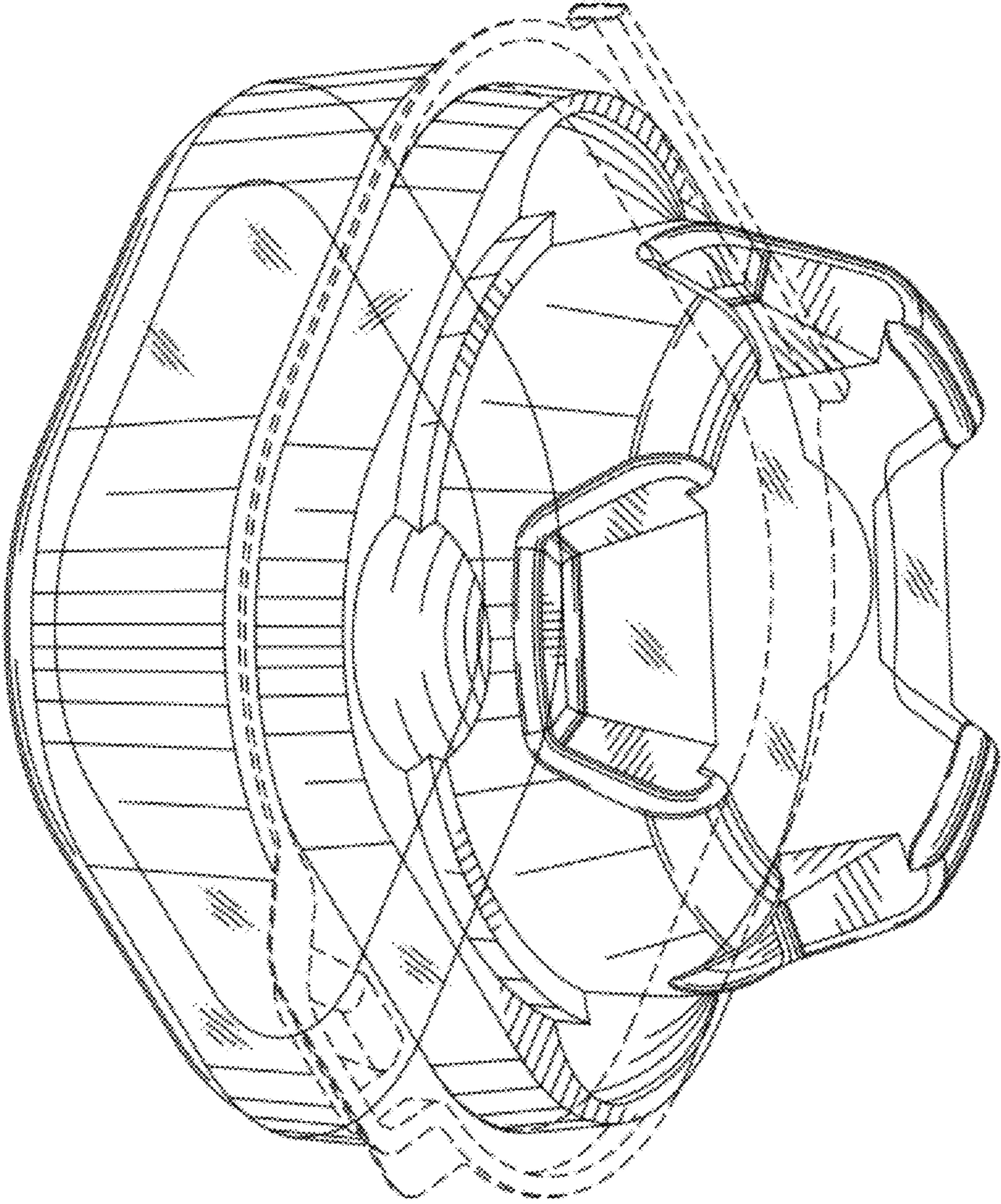


Fig. 2

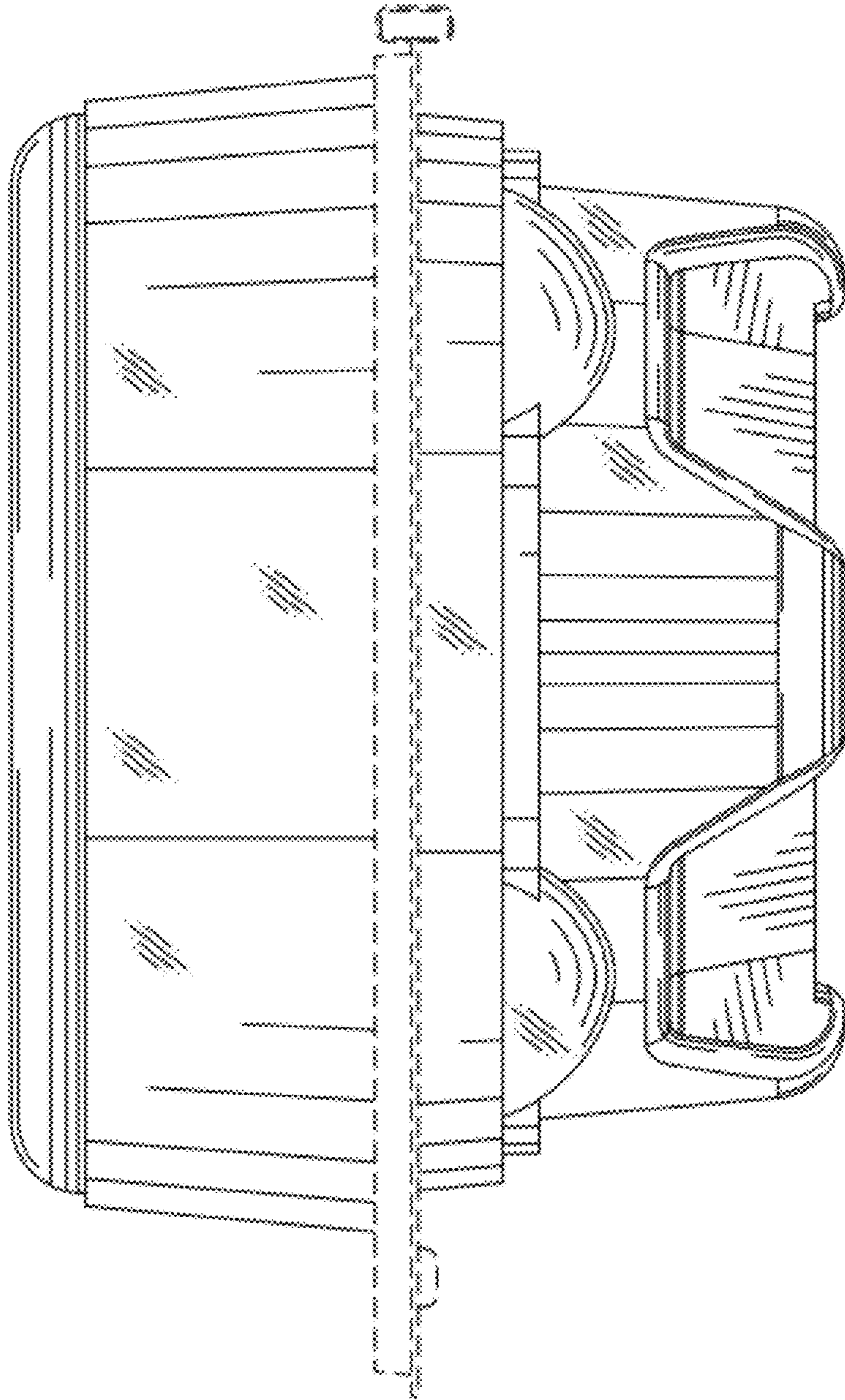


Fig. 3

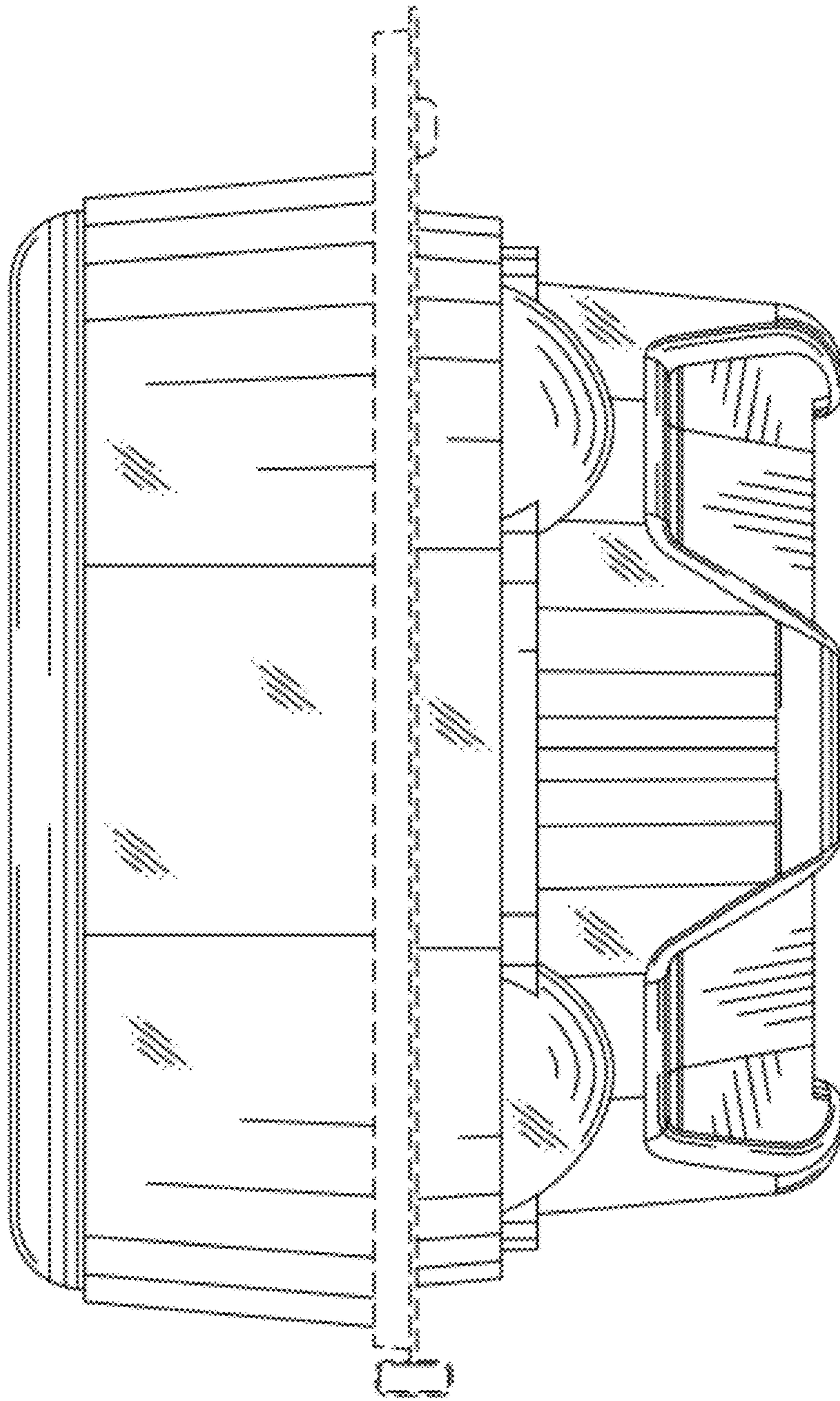


Fig. 4

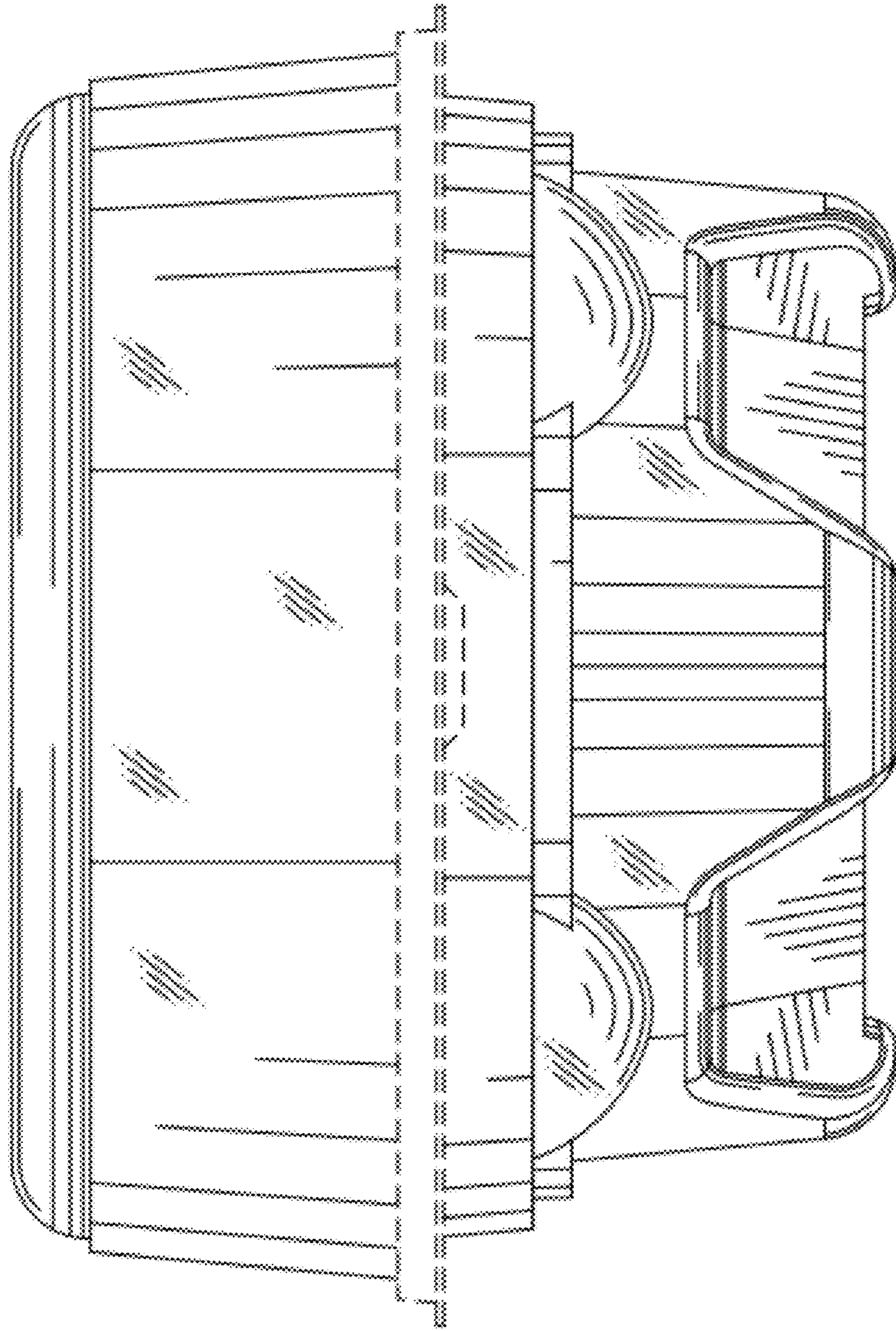


Fig. 5

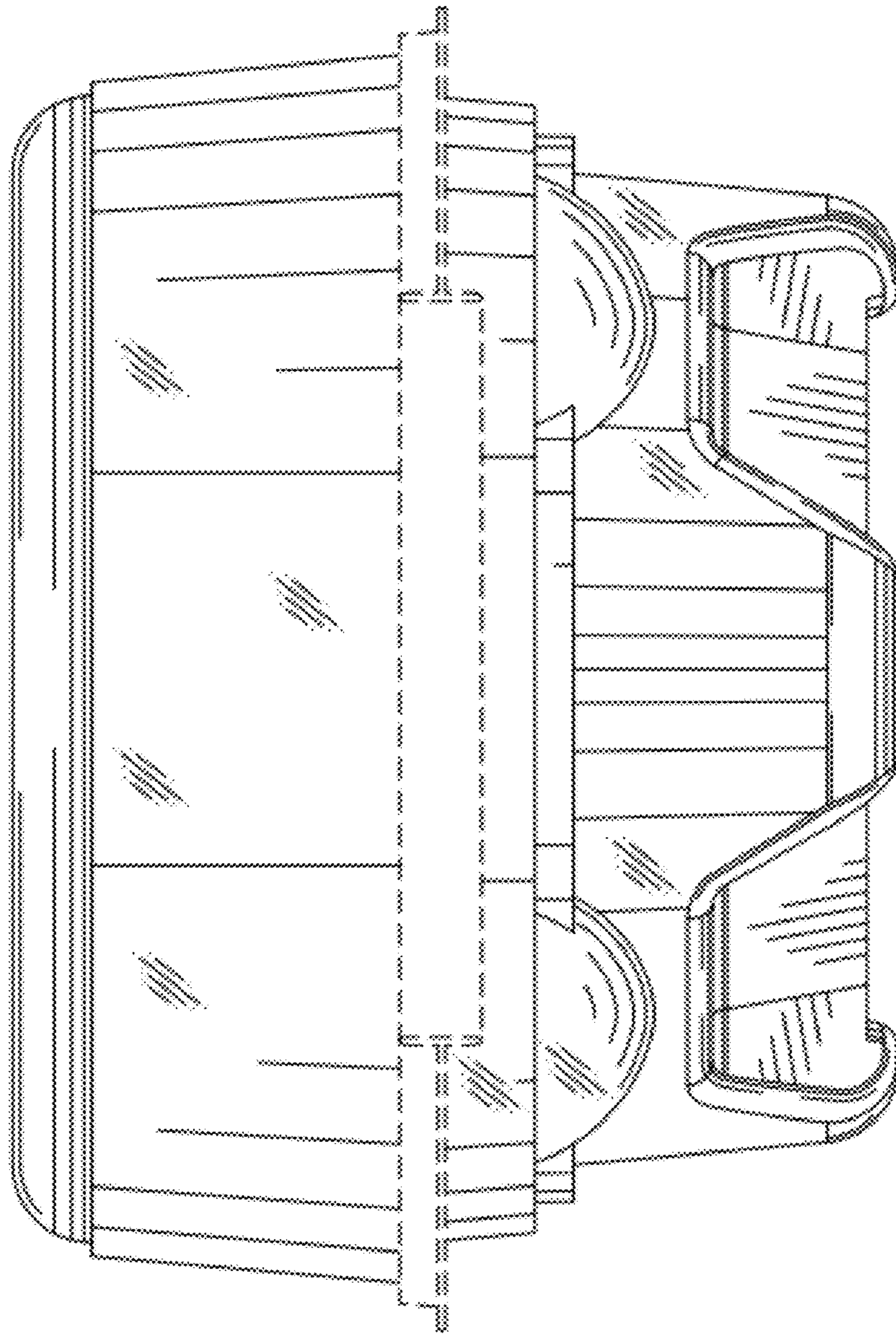


Fig. 6

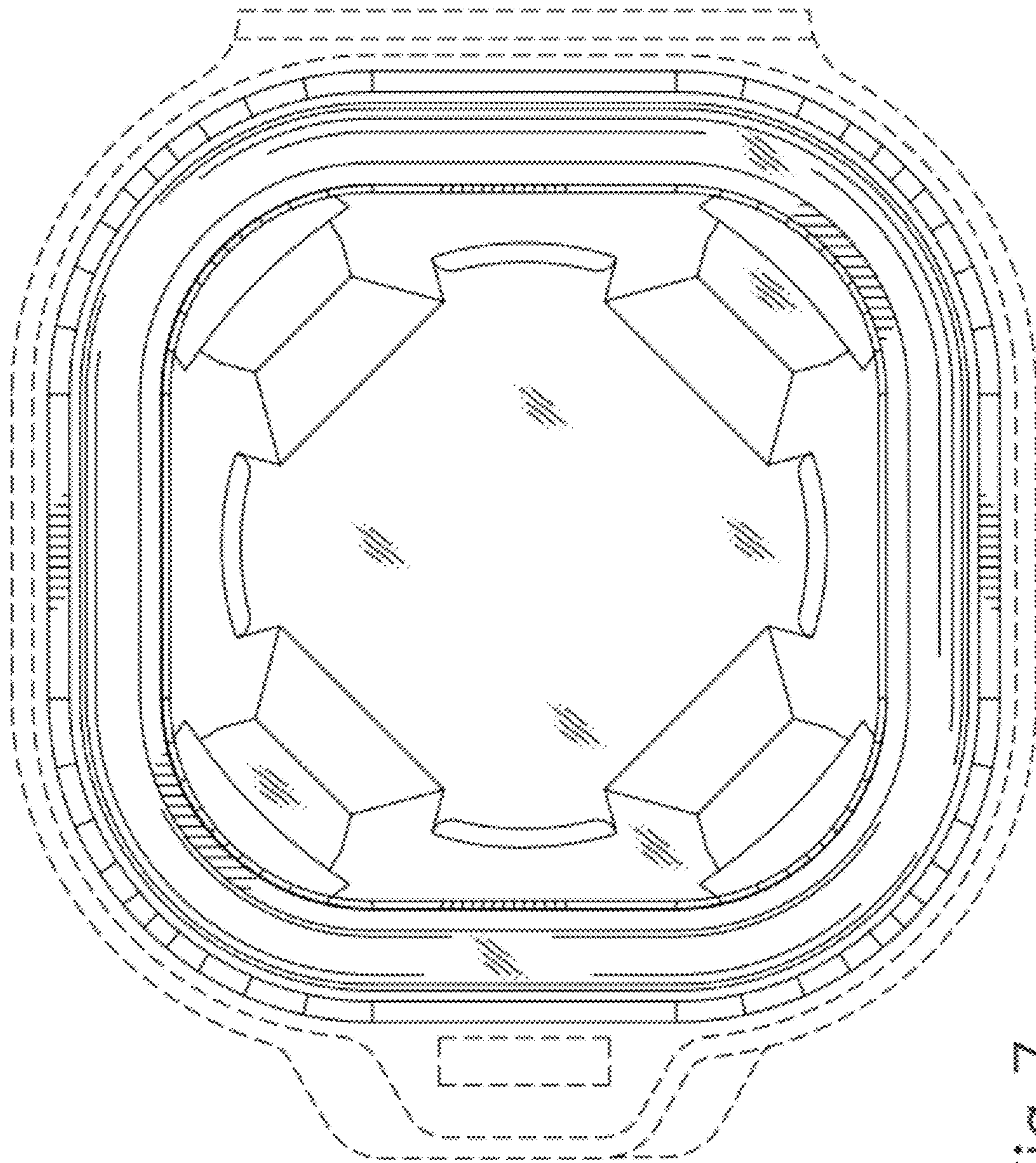


Fig. 7

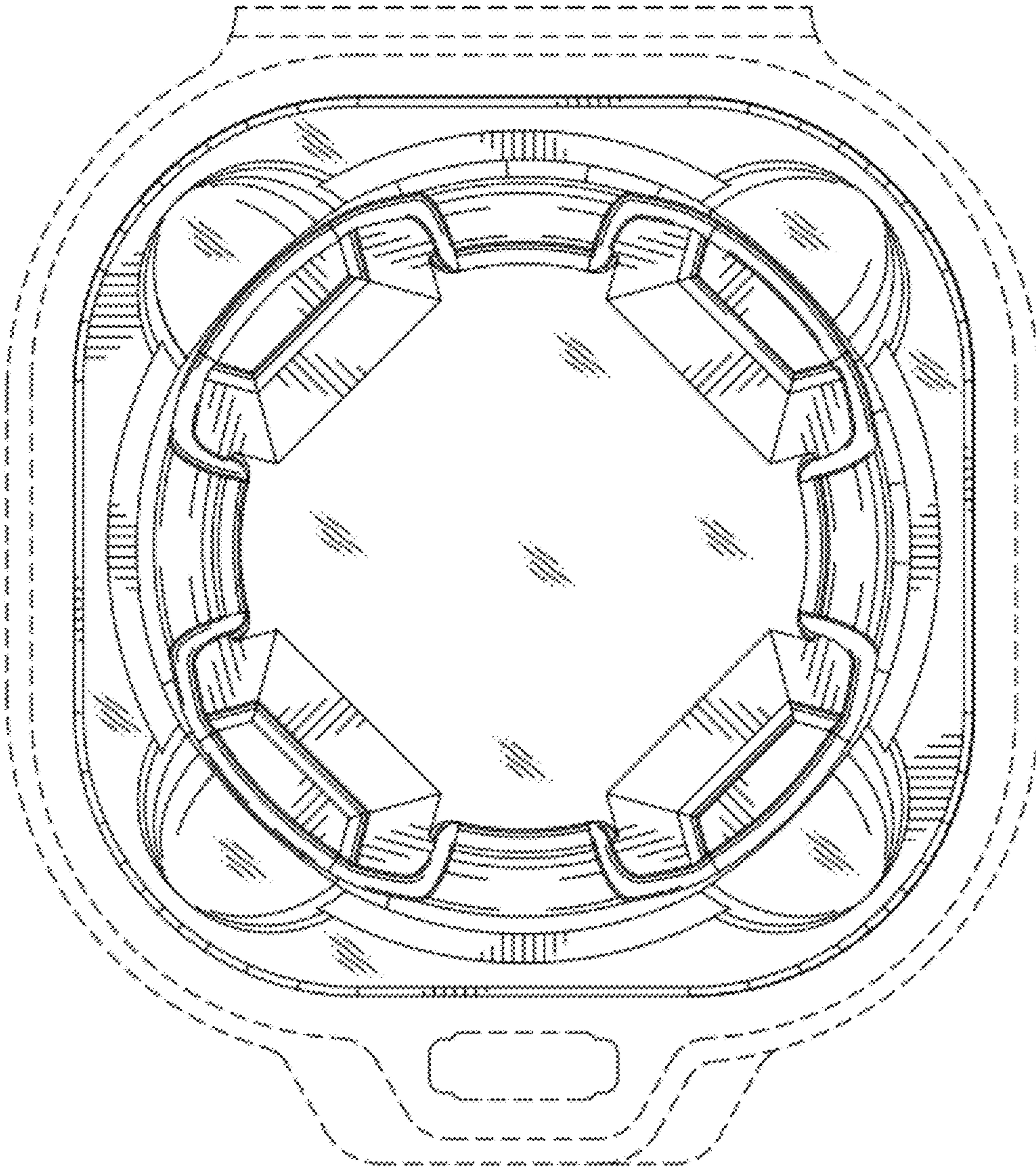


Fig. 8