

US00D666904S

(12) **United States Design Patent**
Snedden et al.

(10) **Patent No.:** **US D666,904 S**
(45) **Date of Patent:** **** Sep. 11, 2012**

- (54) **CONTAINER**
 - (75) Inventors: **Craig R. Snedden**, Culver City, CA (US); **Gandhi B. Sifuentes**, West Covina, CA (US)
 - (73) Assignee: **Direct Pack, Inc.**, Sun Valley, CA (US)
 - (**) Term: **14 Years**
 - (21) Appl. No.: **29/416,425**
 - (22) Filed: **Mar. 22, 2012**
 - (51) **LOC (9) Cl.** **09-03**
 - (52) **U.S. Cl.** **D9/424**
 - (58) **Field of Classification Search** D9/424, D9/414, 418-423, 425, 428-432, 435, 436, D9/455, 499; D3/202, 273, 328; D7/538, D7/601, 602, 604, 610, 612, 629; 206/486, 206/488, 490, 503, 504, 557, 562, 565, 521.1, 206/775, 776, 815, 822; 220/676, 781, 786, 220/789, 790, 793; 229/406, 407, 906, 915, 229/925
- See application file for complete search history.

D512,278 S	12/2005	Schultz et al.	
D512,606 S	12/2005	Lown	
D514,439 S	2/2006	Snedden et al.	
D514,440 S	2/2006	Snedden et al.	
D514,929 S	2/2006	Snedden et al.	
D514,931 S	* 2/2006	Snedden et al. D9/425
D518,958 S	4/2006	Yourist	
D531,802 S	11/2006	Zimmerman	
D548,069 S	8/2007	Sagel et al.	
D548,587 S	8/2007	DuVal et al.	
D555,982 S	11/2007	Tucket et al.	
D559,628 S	1/2008	Chiang et al.	
D562,083 S	2/2008	Lown et al.	
D567,596 S	4/2008	Chiang et al.	
D568,693 S	5/2008	Furlong	
D568,694 S	5/2008	Furlong	
D570,650 S	6/2008	Vovan	
D572,086 S	7/2008	Matsumoto et al.	
D573,846 S	7/2008	Moghavem	
D574,671 S	8/2008	Chiang et al.	
D575,113 S	8/2008	Chiang et al.	
D575,114 S	8/2008	Moghavem	
D589,346 S	3/2009	Hall	

(Continued)

Primary Examiner — Derrick Holland
(74) *Attorney, Agent, or Firm* — Frost Brown Todd LLC

(56) **References Cited**

U.S. PATENT DOCUMENTS

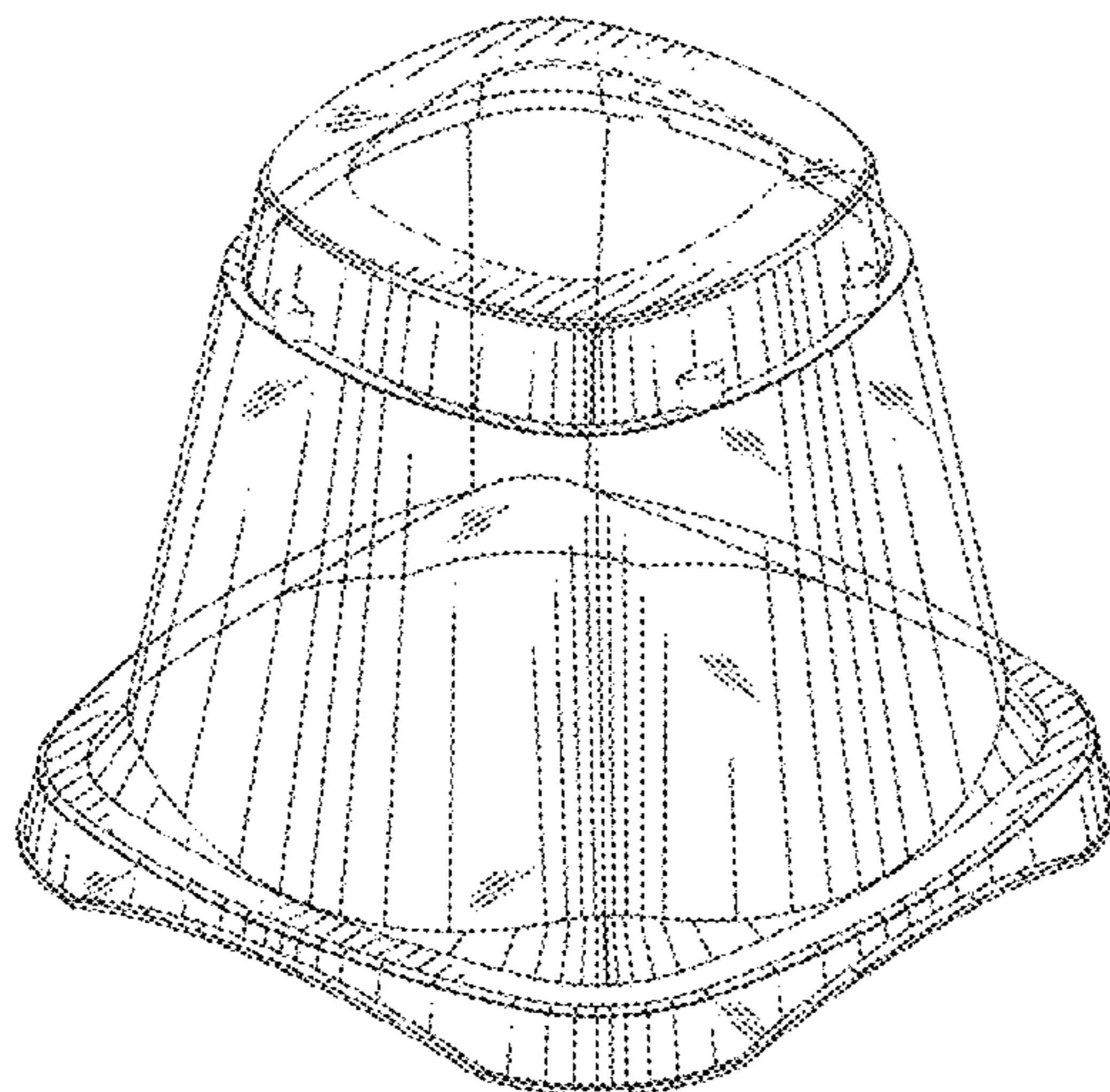
D256,650 S	*	9/1980	Juster	D7/629
4,346,833 A	*	8/1982	Bernhardt	220/257.1
4,750,619 A	*	6/1988	Cohen et al.	206/438
D311,334 S		10/1990	Flynn et al.		
D319,978 S		9/1991	Wolff		
D351,999 S		11/1994	Krupa		
D354,435 S	*	1/1995	Krupa	D9/423
5,511,684 A	*	4/1996	Weaver, Jr.	220/630
D374,155 S		10/1996	Feer		
D388,325 S	*	12/1997	Tucker et al.	D9/425
D418,056 S		12/1999	Johnson		
D498,050 S	*	11/2004	Scribner	D3/273
D501,403 S		2/2005	Wilcock et al.		
D501,764 S		2/2005	Lerner		
D502,096 S		2/2005	Wilcock et al.		
D503,336 S		3/2005	Tucker et al.		
6,874,650 B2		4/2005	Welsh		

(57) **CLAIM**
The ornamental design for a container, as shown and described.

DESCRIPTION

FIG. 1 is a top perspective view of a container, showing our new design;
FIG. 2 is a left elevation view thereof;
FIG. 3 is a right elevation view thereof;
FIG. 4 is a front elevation view thereof;
FIG. 5 is a back elevation view thereof;
FIG. 6 is a top plan view thereof; and,
FIG. 7 is a bottom plan view thereof.
The protrusions and opening shown in broken lines are unclaimed environment, and form no part of the claimed design.

1 Claim, 7 Drawing Sheets



US D666,904 S

Page 2

U.S. PATENT DOCUMENTS

D600,111 S	9/2009	Gerulski et al.	D606,406 S	12/2009	Takata et al.	
D604,605 S	11/2009	Chung et al.	D610,448 S *	2/2010	Drozek et al. D9/424
D605,502 S	12/2009	Honda et al.	D627,218 S *	11/2010	Golota et al. D9/424
D606,402 S	12/2009	Diss	D628,478 S	12/2010	Snedden	
D606,403 S	12/2009	Diss	8,127,961 B2	3/2012	Vovan	
D606,404 S	12/2009	Diss	2009/0173656 A1	7/2009	Furlong	
D606,405 S	12/2009	Takata et al.				

* cited by examiner

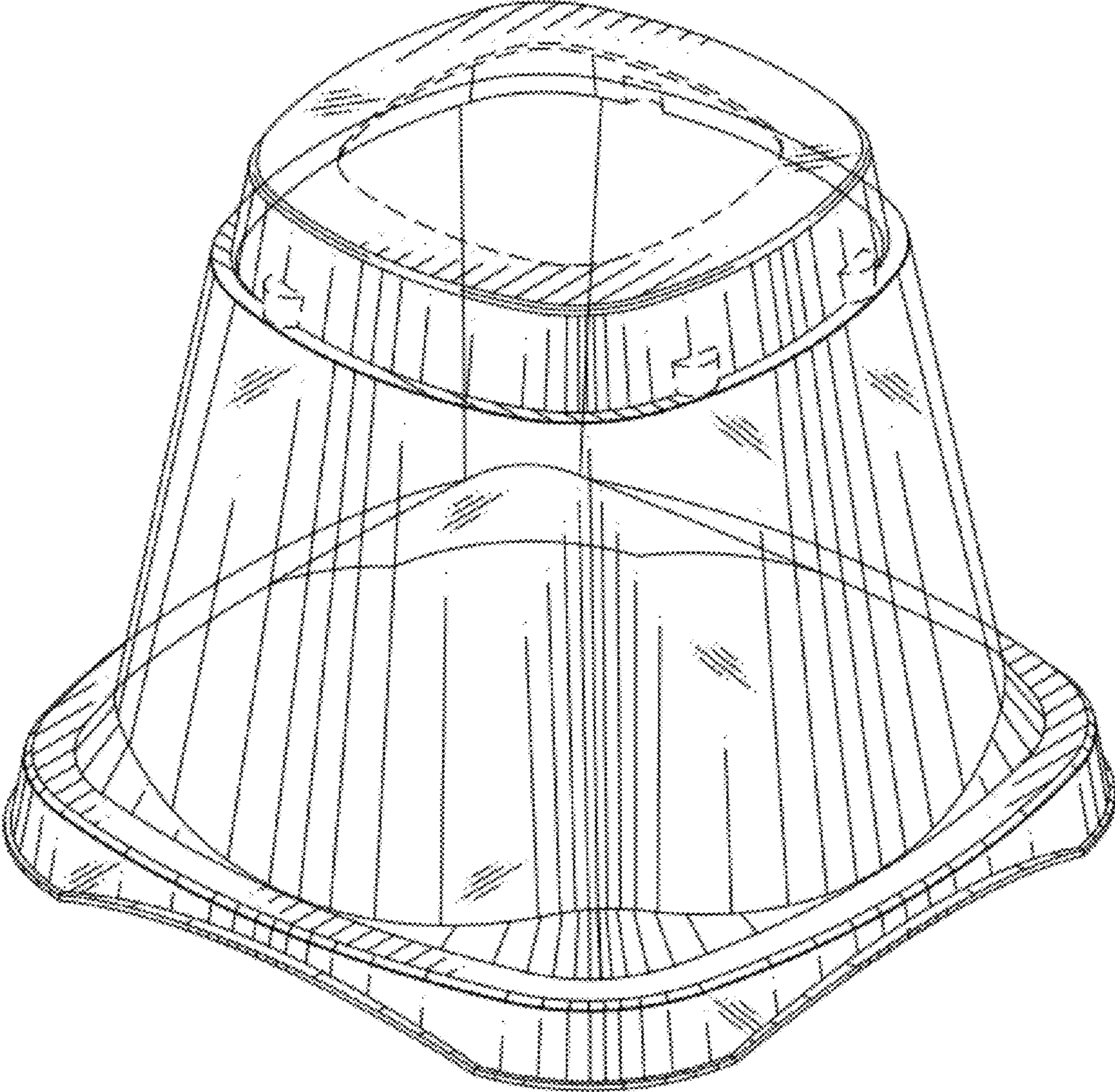


Fig. 1

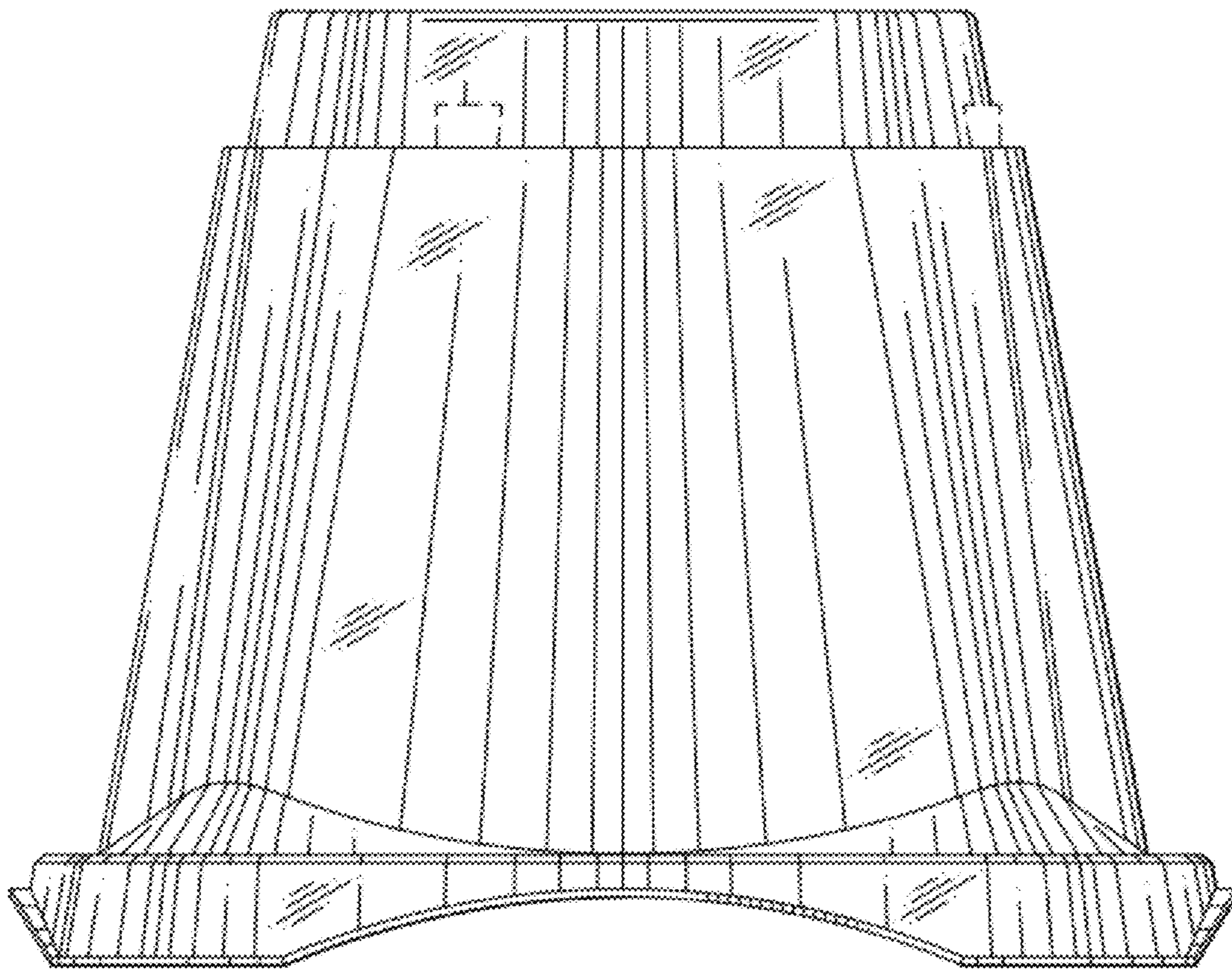


Fig.2

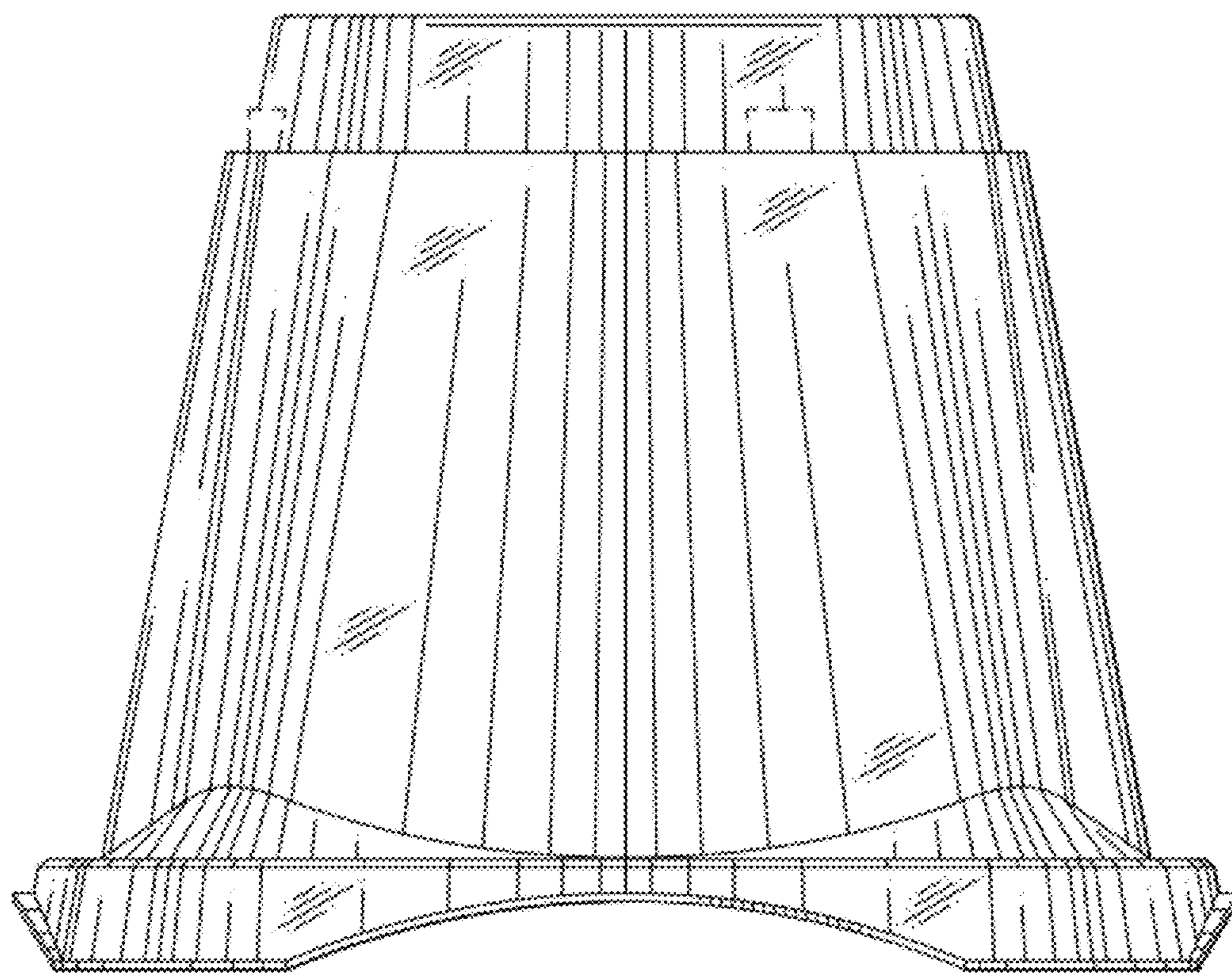


Fig.3

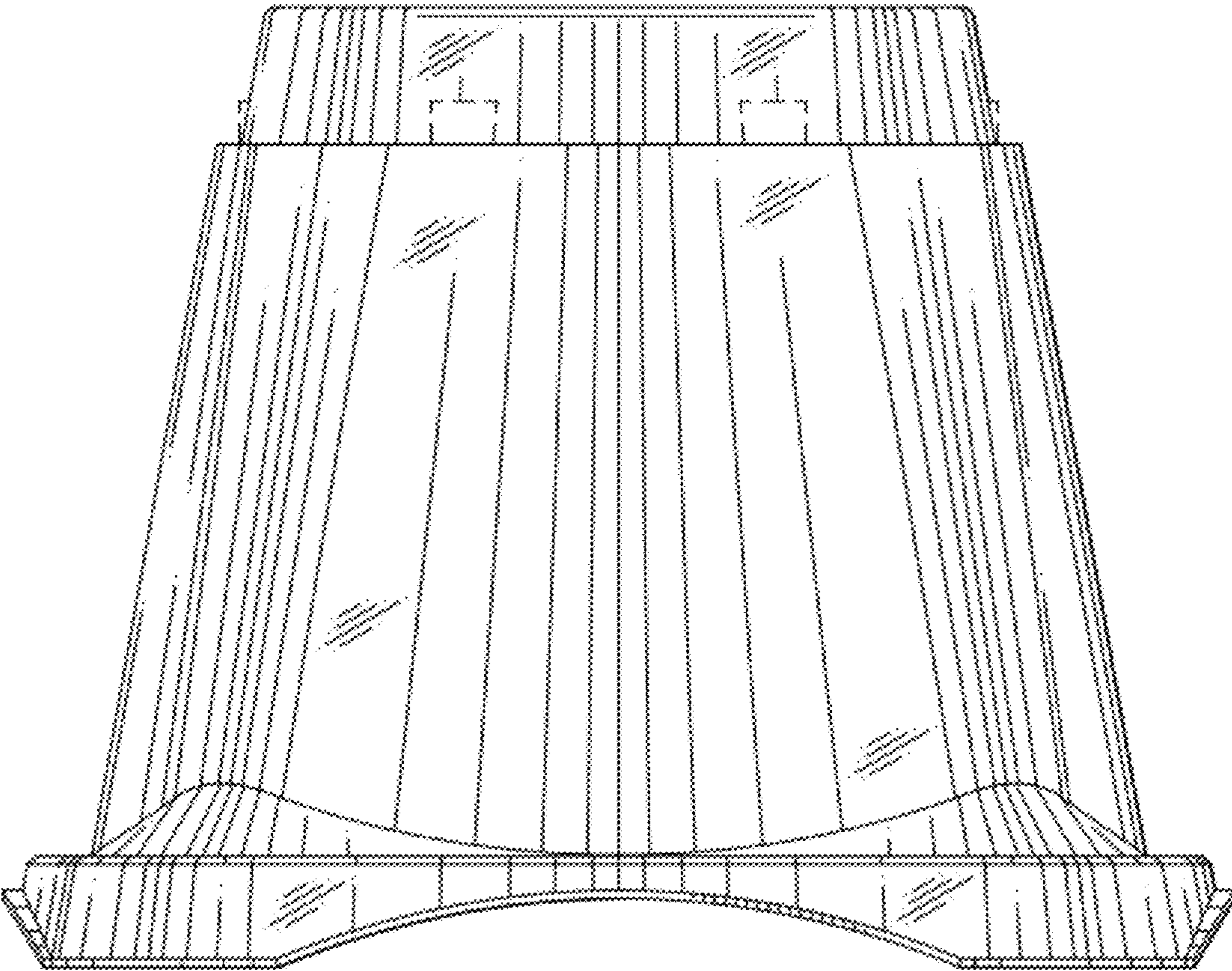


Fig.4

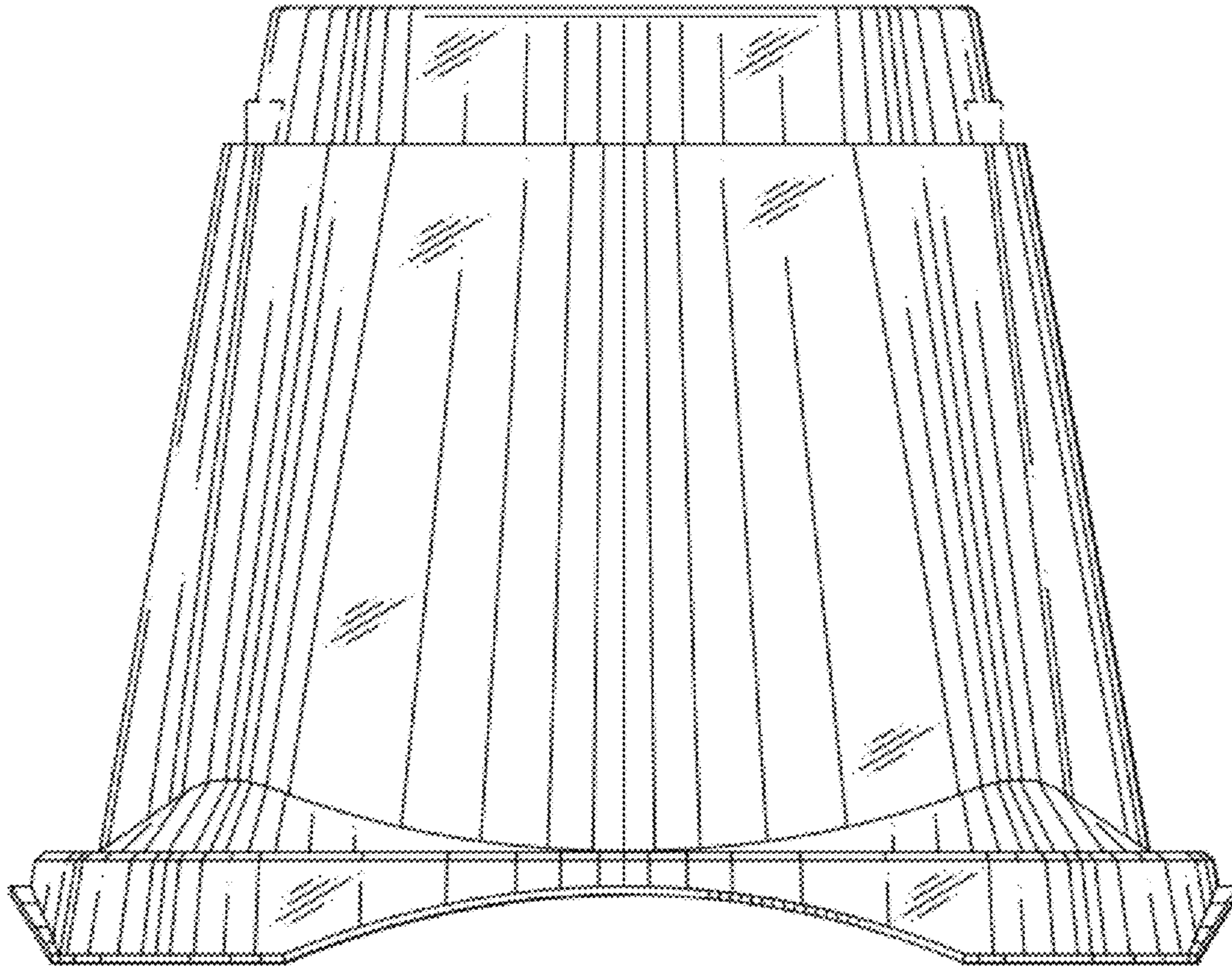


Fig. 5

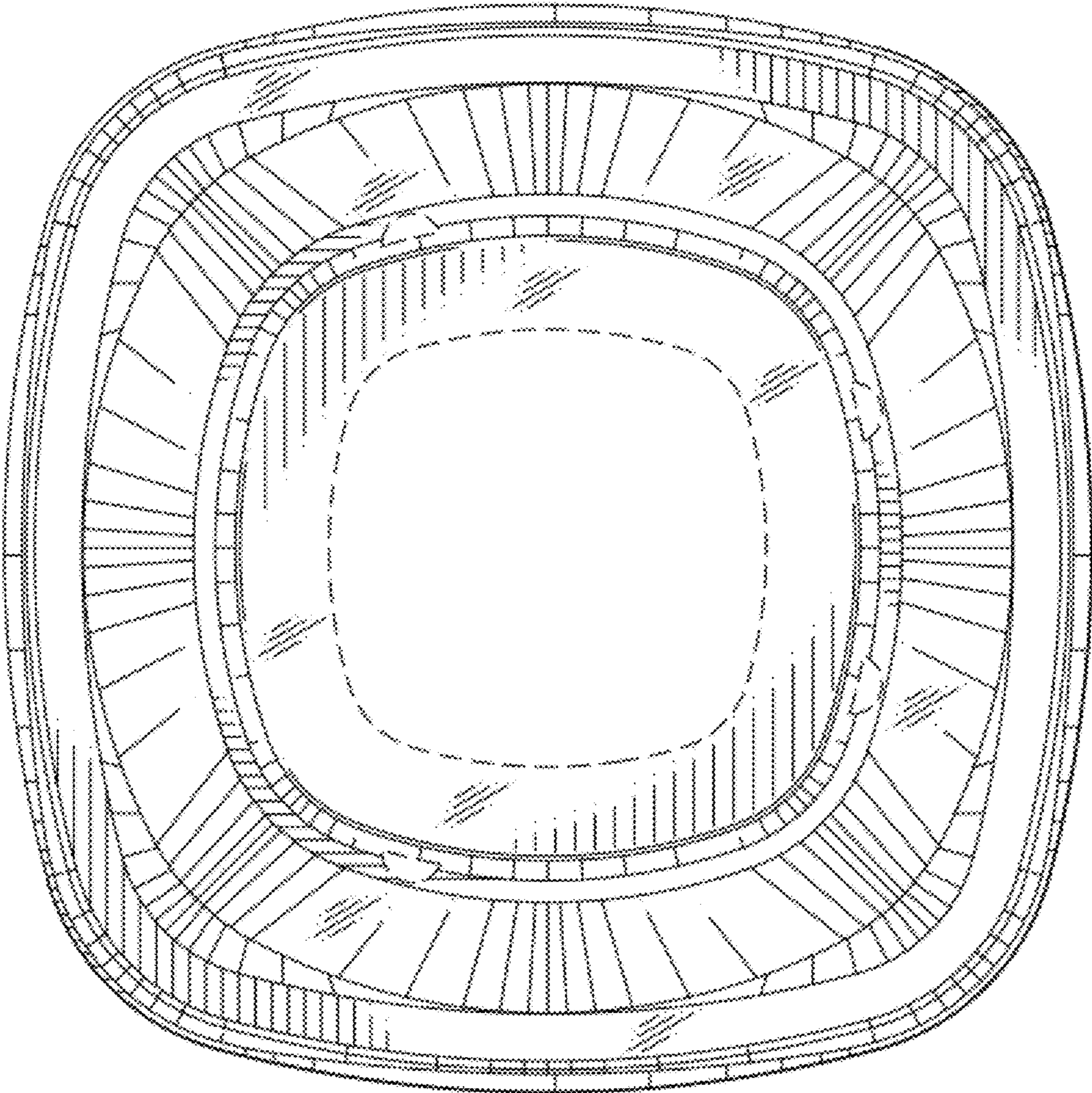


Fig. 6

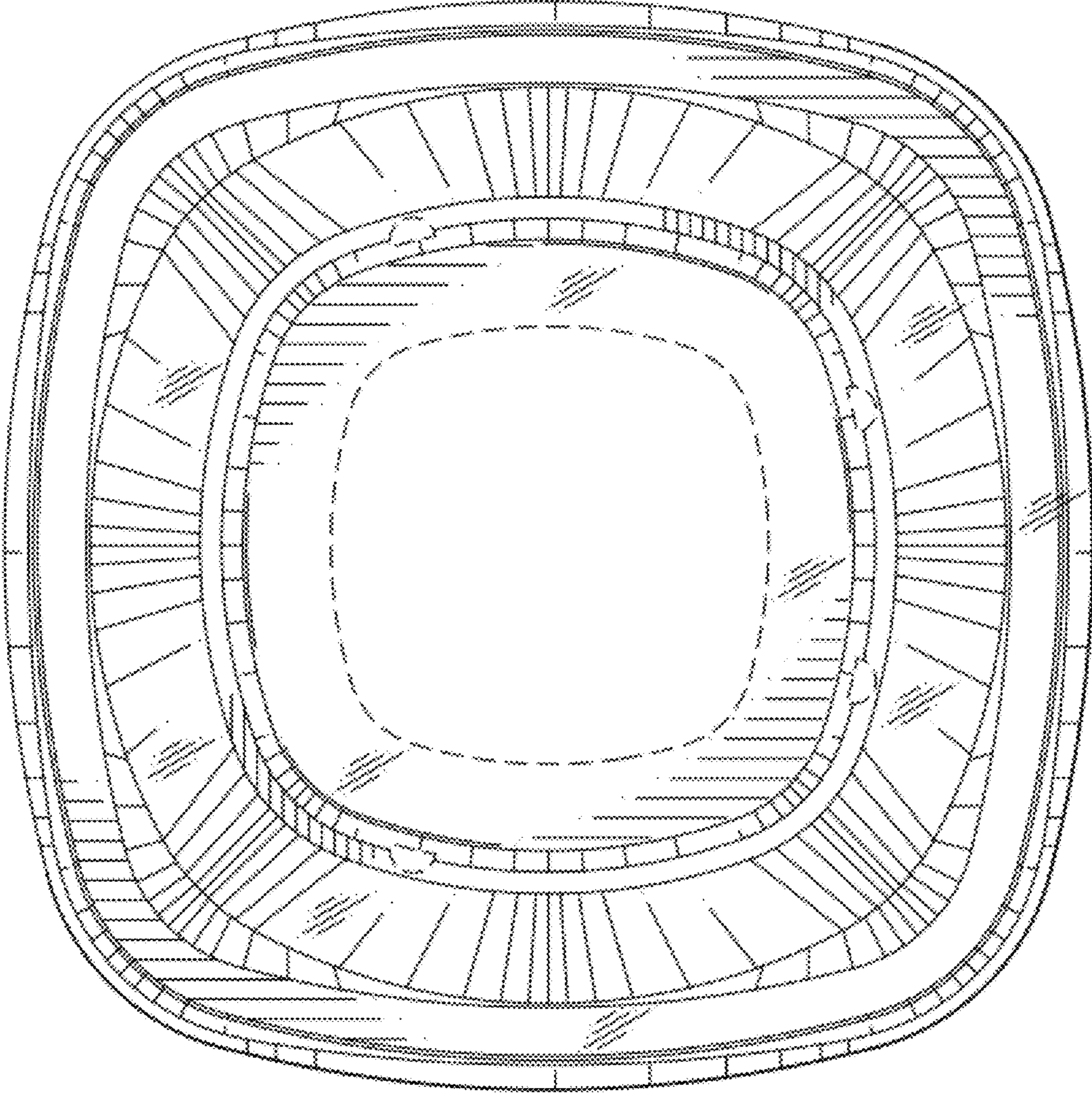


Fig. 7