



US00D666903S

(12) **United States Design Patent**  
**McIntosh et al.**

(10) **Patent No.:** **US D666,903 S**

(45) **Date of Patent:** **\*\* Sep. 11, 2012**

(54) **DISPLAY BOX**

(75) Inventors: **John Ralph McIntosh**, Tulsa, OK (US);  
**Melvin C. Redman**, Bentonville, AR  
(US); **Neal Winston Zahn**, Bixby, OK  
(US)

(73) Assignee: **Winston Company, Inc.**, Tulsa, OK  
(US)

(\*\*) Term: **14 Years**

(21) Appl. No.: **29/393,623**

(22) Filed: **Jun. 7, 2011**

(51) **LOC (9) Cl.** ..... **09-03**

(52) **U.S. Cl.** ..... **D9/418; D9/721; D9/430**

(58) **Field of Classification Search** ..... D9/414,  
D9/418, 430, 431, 432, 433, 499, 721; D3/272;  
206/223, 784, 1.5, 524.1, 525, 527; 229/100,  
229/124, 125.37, 126, 800; D7/392, 397,  
D7/504, 601; 220/62, 890

See application file for complete search history.

(56) **References Cited**

U.S. PATENT DOCUMENTS

2,812,852	A	*	11/1957	Samuels	.....	206/768
2,844,295	A	*	7/1958	Williams	.....	206/525
3,987,893	A	*	10/1976	Hanson	.....	206/779
D244,355	S	*	5/1977	Mazie et al.	.....	D9/432
D244,430	S	*	5/1977	Larkin	.....	D9/432
D246,440	S	*	11/1977	Hanson	.....	D9/418

D263,121	S	*	2/1982	Lowry	.....	D9/432
D294,805	S	*	3/1988	Boyer	.....	D9/415
D320,556	S	*	10/1991	Fairhurst	.....	D9/414
D406,478	S	*	3/1999	Rahman	.....	D6/475
6,681,953	B2	*	1/2004	Au	.....	220/815
D535,193	S	*	1/2007	Rutledge	.....	D9/721
D575,149	S	*	8/2008	Baranowski	.....	D9/432
D622,140	S	*	8/2010	Elhalwani	.....	D9/421
D629,684	S	*	12/2010	Drury	.....	D9/433

\* cited by examiner

*Primary Examiner* — Thomas Johannes

(74) *Attorney, Agent, or Firm* — Fellers, Snider,  
Blankenship, Bailey & Tippens, P.C.

(57) **CLAIM**

The ornamental design for a display box, as shown and described.

**DESCRIPTION**

FIG. 1 is a perspective view of a display box showing my new design;

FIG. 2 is a front view thereof;

FIG. 3 is a back view thereof;

FIG. 4 is a right side view thereof;

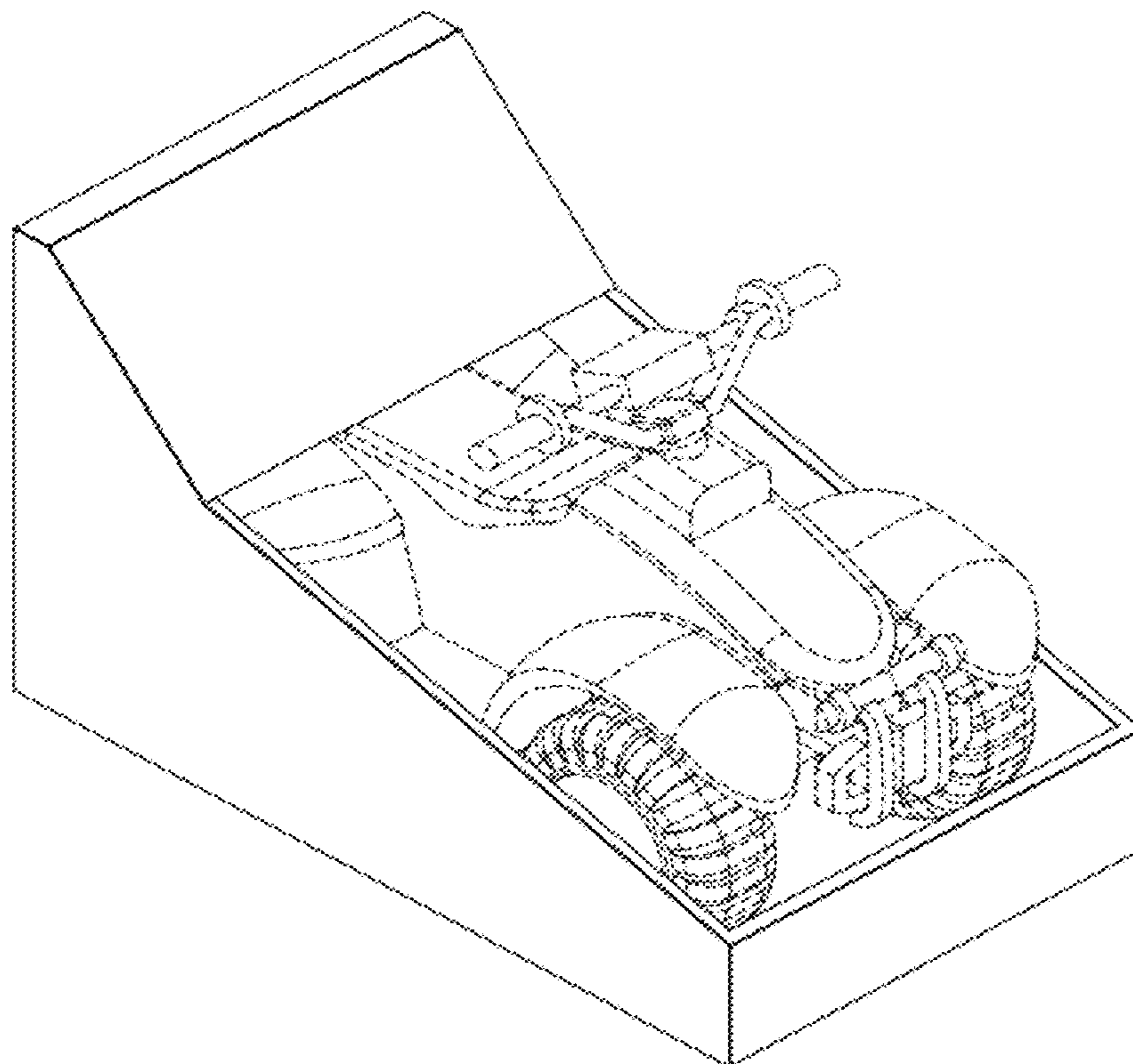
FIG. 5 is a left side view thereof;

FIG. 6 is a top view thereof; and,

FIG. 7 is a bottom view thereof.

The broken line portion of the figure drawings is included to show unclaimed subject matter only and forms no part of the claimed design.

**1 Claim, 5 Drawing Sheets**



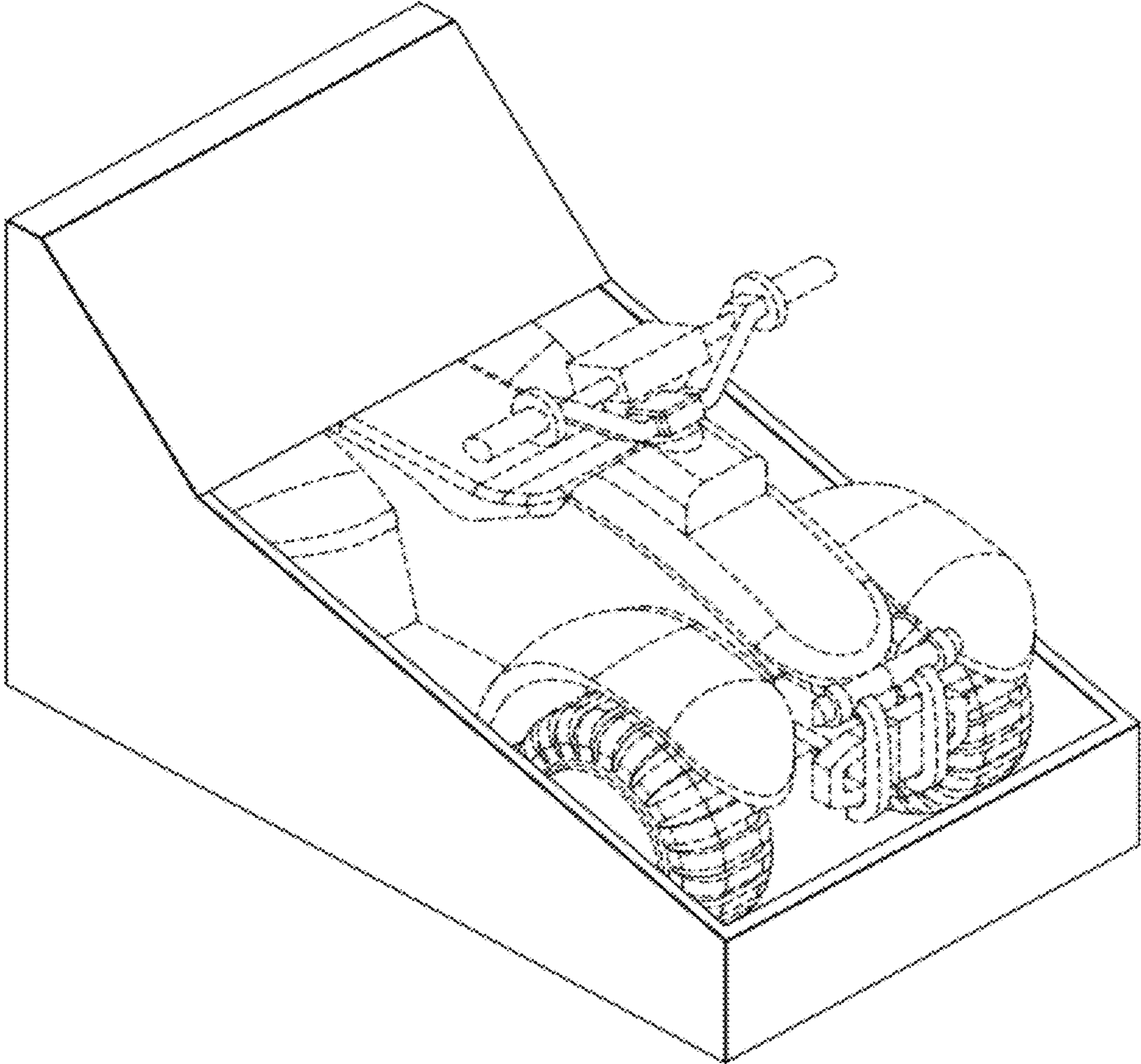


FIG. 1

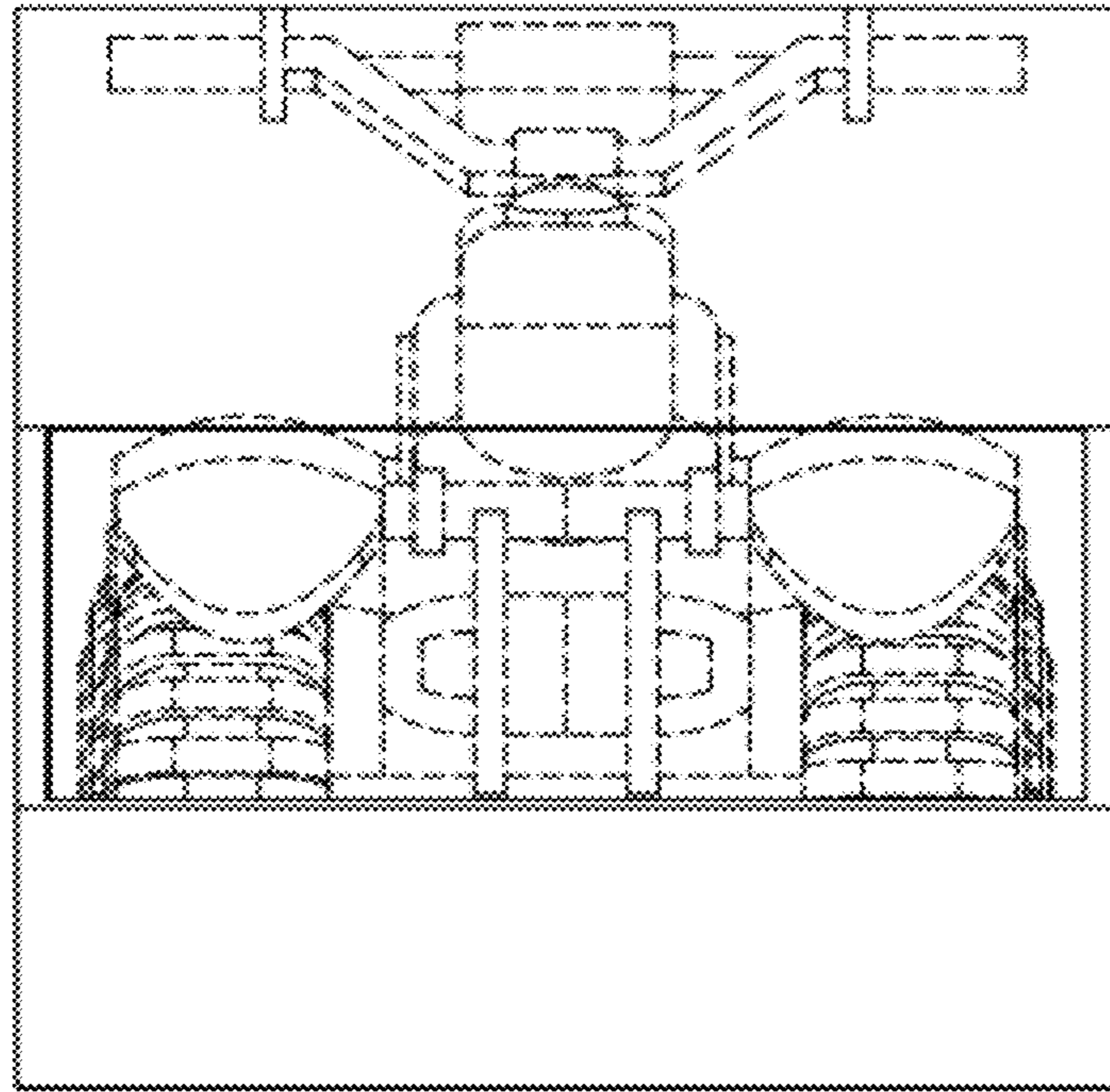


FIG. 2

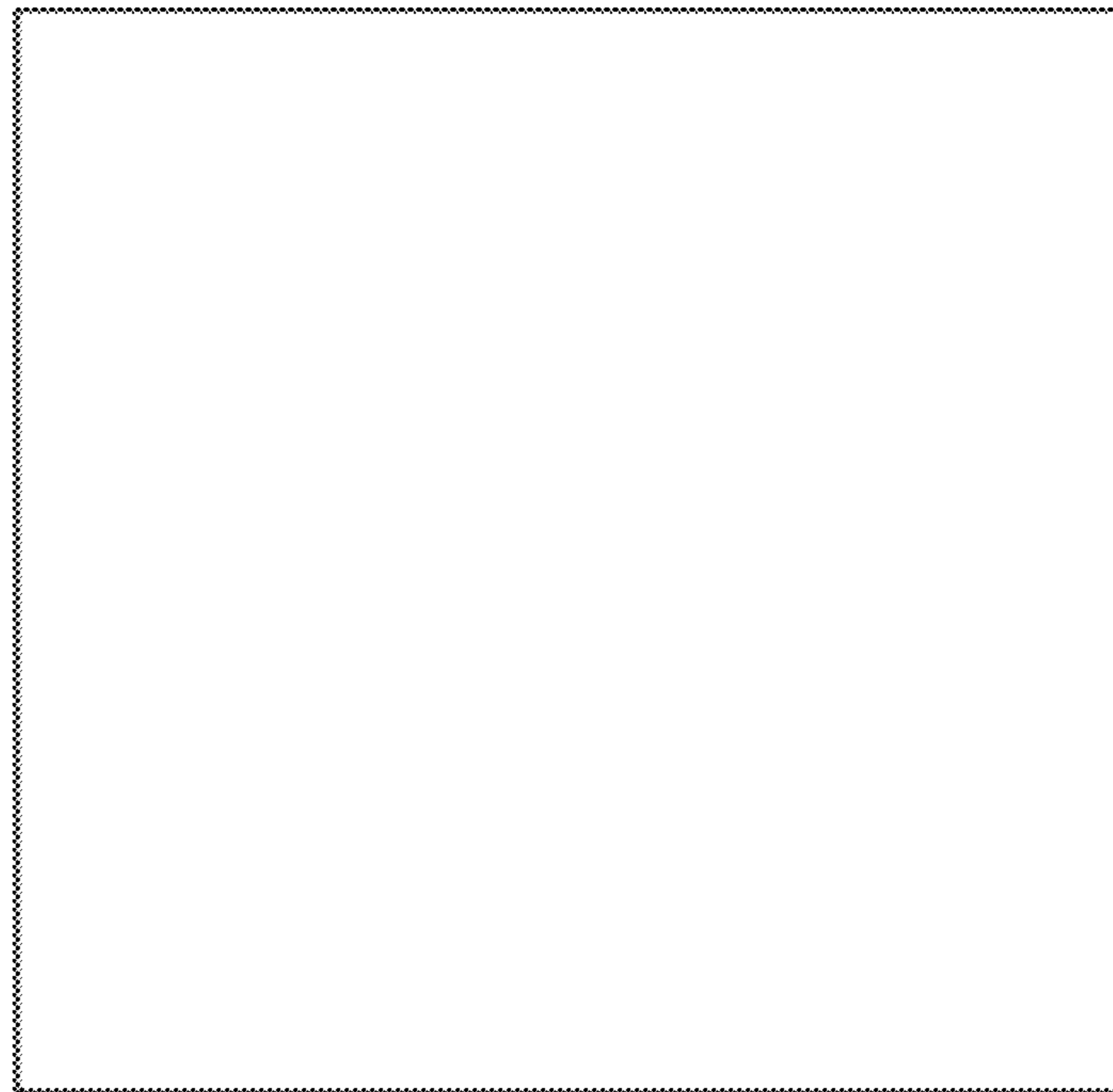


FIG. 3



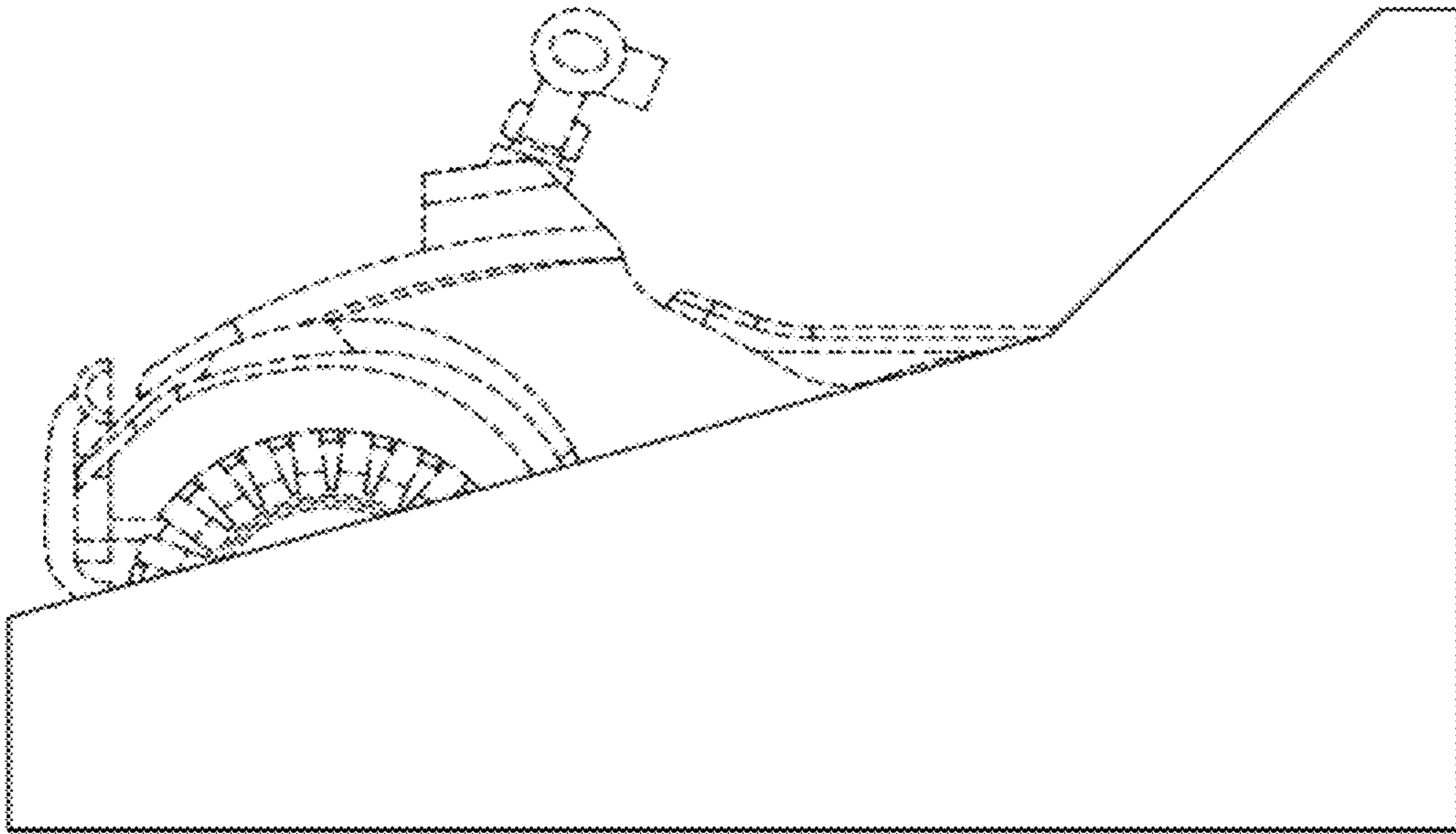


FIG. 4

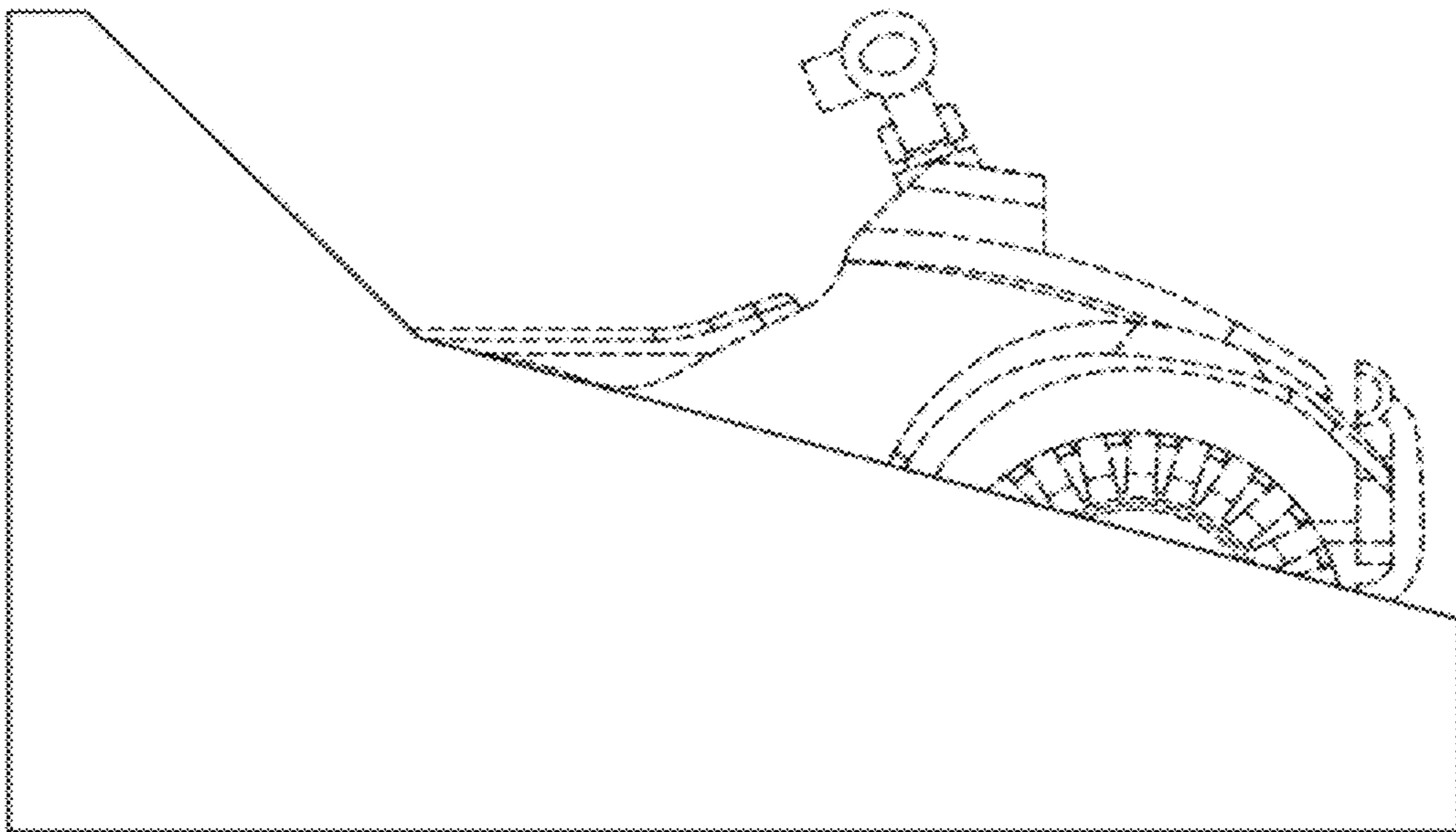


FIG. 5

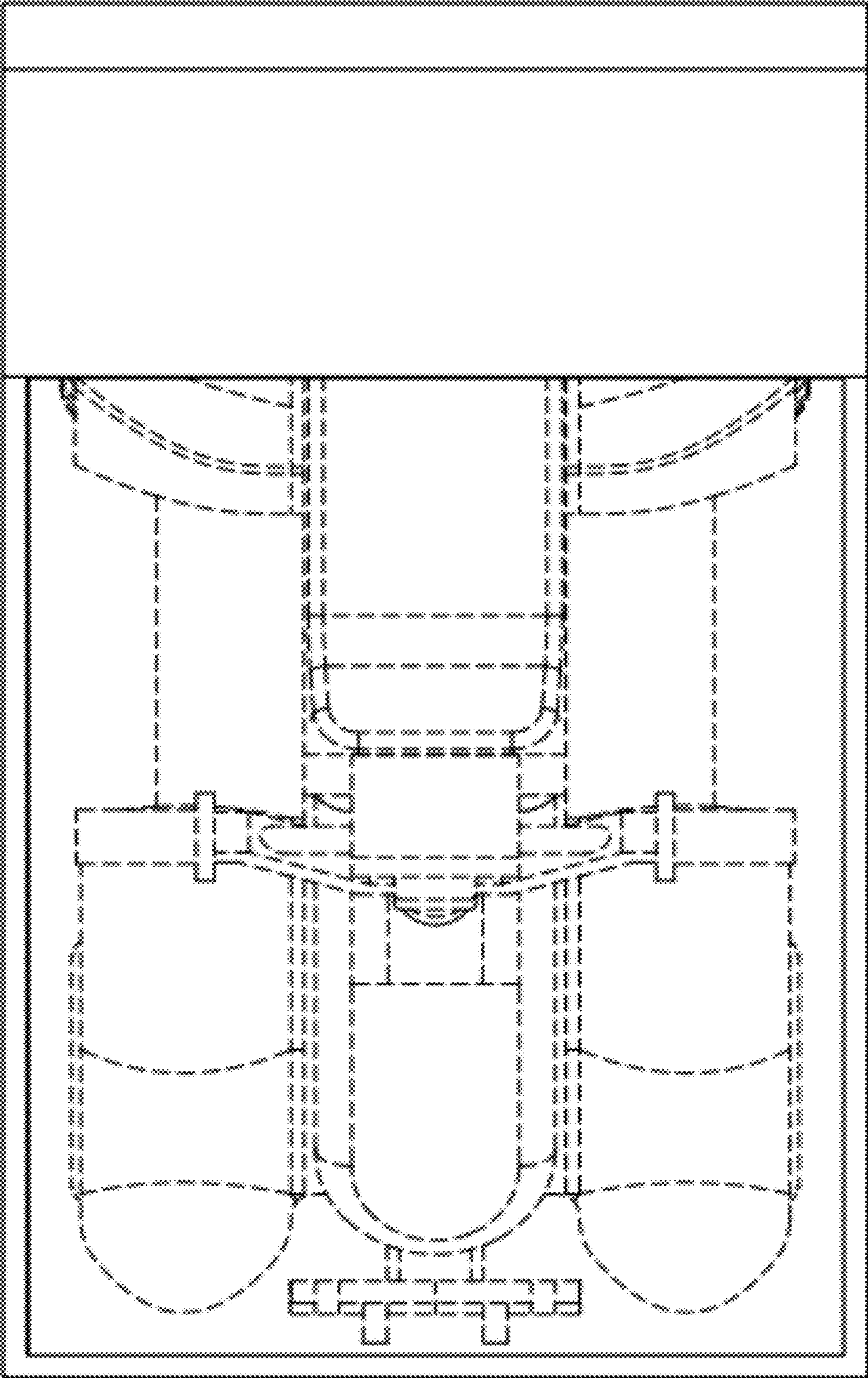


FIG. 6

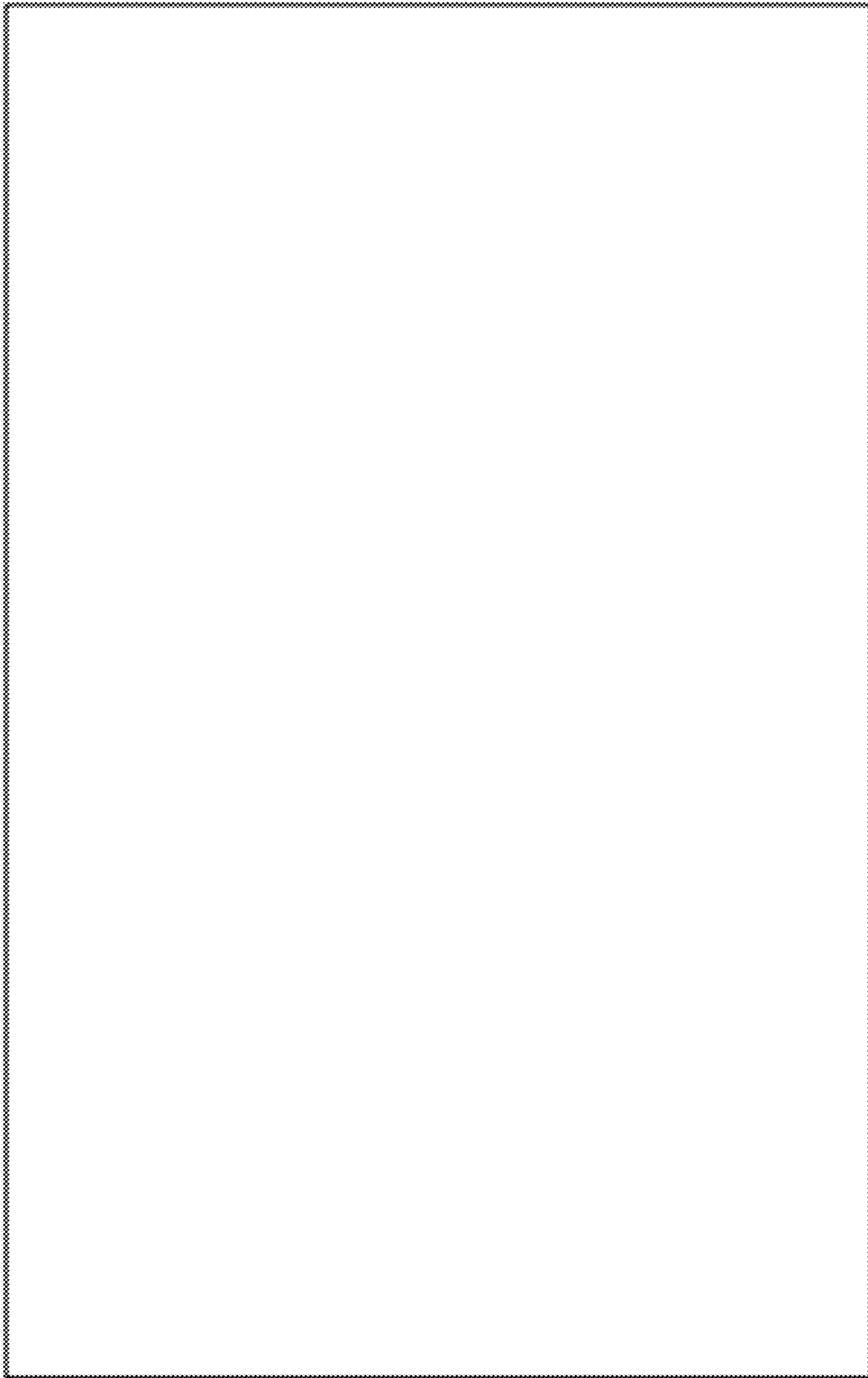


FIG. 7