

US00D666902S

(12) **United States Design Patent**
Berger

(10) **Patent No.:** **US D666,902 S**

(45) **Date of Patent:** **** Sep. 11, 2012**

(54) **DOOR EDGE PLATE**

(75) Inventor: **Simon Berger**, Long Beach, NY (US)

(73) Assignee: **Securitech Group, Inc.**, Maspeth, NY (US)

(**) Term: **14 Years**

(21) Appl. No.: **29/373,763**

(22) Filed: **May 20, 2011**

(51) **LOC (9) Cl.** **08-09**

(52) **U.S. Cl.** **D8/400**

(58) **Field of Classification Search** D8/330,
D8/331, 336, 337, 338, 341, 380, 373, 349,
D8/300, 301, 400-499; 70/89, 137, 141,
70/192, 260, 430, DIG. 20; 292/101, 96,
292/10, 336.3, 196, 241, 137, 344, DIG. 30,
292/DIG. 33, 340; D6/553; 248/298.1, 243,
248/200, 208; 49/73, 85, 87, 215, 218, 291,
49/295, 296, 303-304, 375; D25/52, 60,
D25/119; 52/204

See application file for complete search history.

(56) **References Cited**

U.S. PATENT DOCUMENTS

126,846 A * 5/1872 Spring 292/340
1,374,731 A * 4/1921 Hage 292/341.12
1,380,545 A * 6/1921 Edgerly 292/121

2,065,732 A * 12/1936 Peace 292/341.18
2,312,892 A * 3/1943 Fisher 292/340
3,241,873 A * 3/1966 Russell et al. 292/340
4,065,163 A * 12/1977 Nagase 292/341.15
D396,397 S * 7/1998 Swan D8/331
6,089,627 A * 7/2000 Pearson 292/341.18
D586,204 S * 2/2009 Robbins et al. D8/380
2008/0224486 A1 * 9/2008 Anderson 292/340

* cited by examiner

Primary Examiner — Barbara Fox

(74) *Attorney, Agent, or Firm* — Galgano & Associates, PLLC; Thoms M. Galgano; Jessica G. Bower

(57) **CLAIM**

The ornamental design for door edge plate, as shown and described.

DESCRIPTION

FIG. 1 is a front perspective view of door edge plate showing my new design;

FIG. 2 is a front elevational view thereof;

FIG. 3 is a left side elevational view thereof;

FIG. 4 is a right side elevational view thereof;

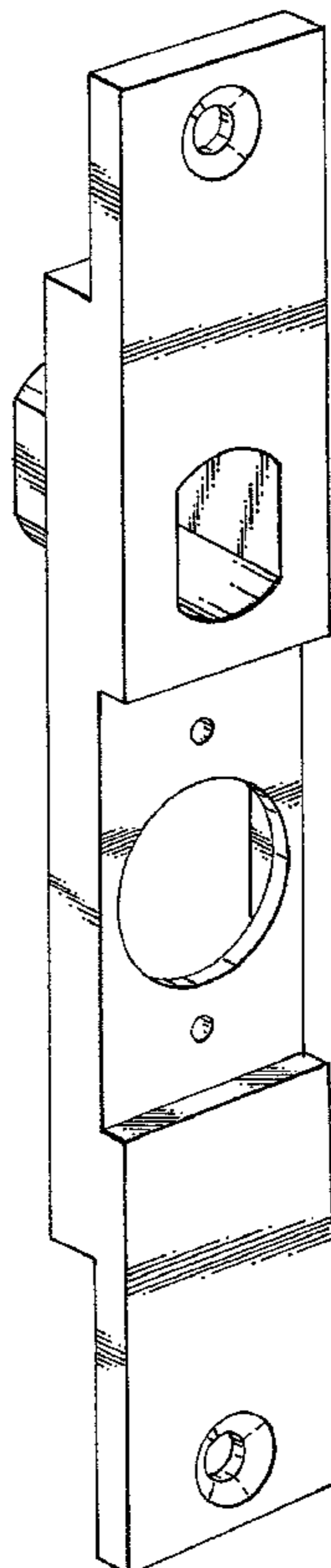
FIG. 5 is a rear elevational view thereof;

FIG. 6 is a bottom view thereof; and,

FIG. 7 is a top view thereof.

The broken lines shown in the drawings represent portions of the door edge plate that form no part of the claimed design.

1 Claim, 2 Drawing Sheets



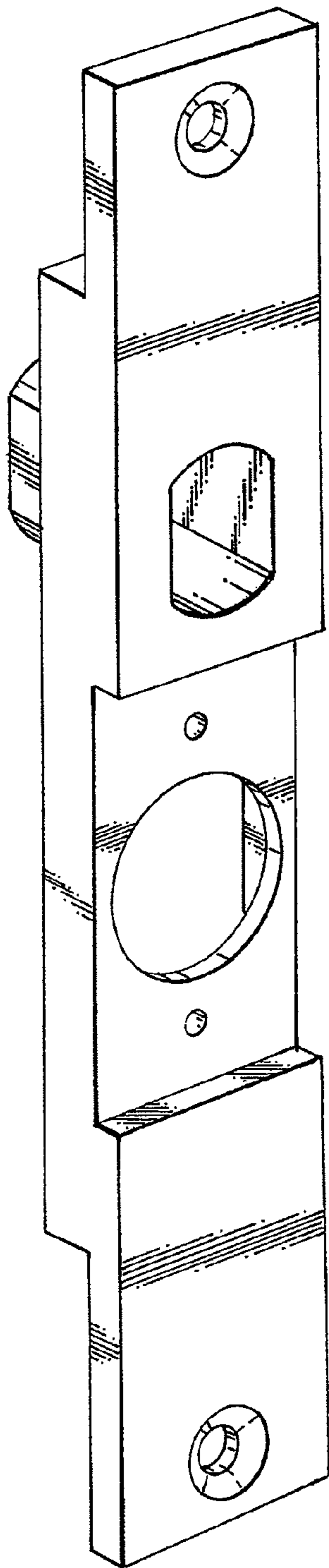


Fig. 1

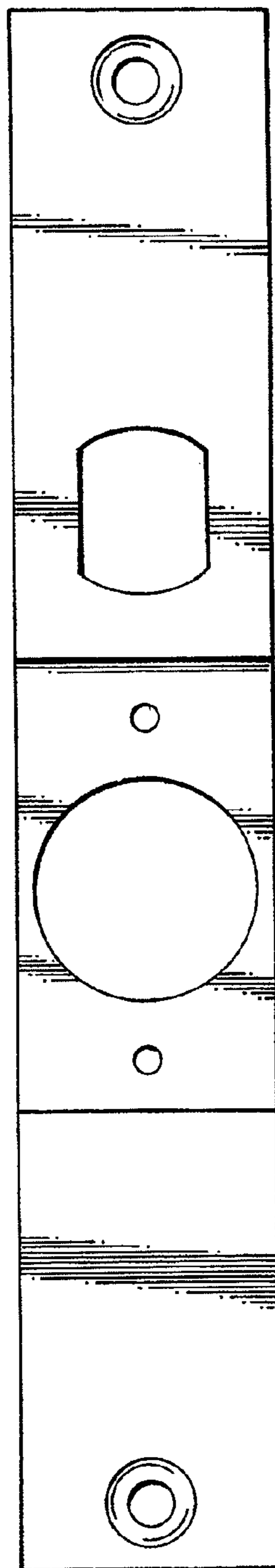


Fig. 2

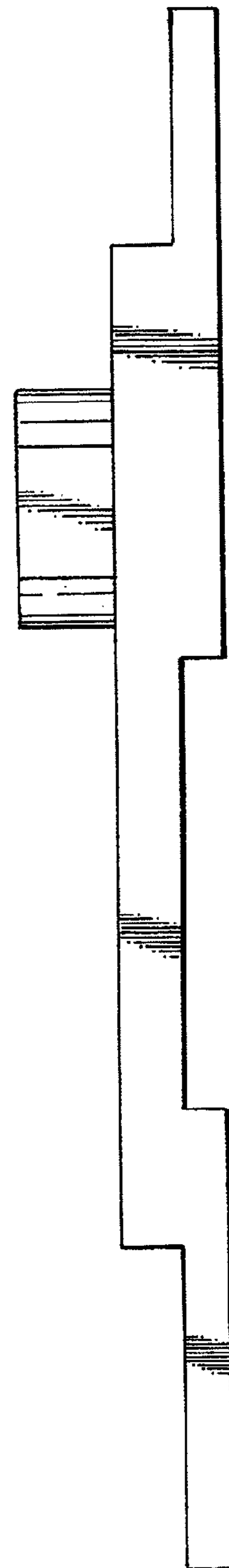


Fig. 3

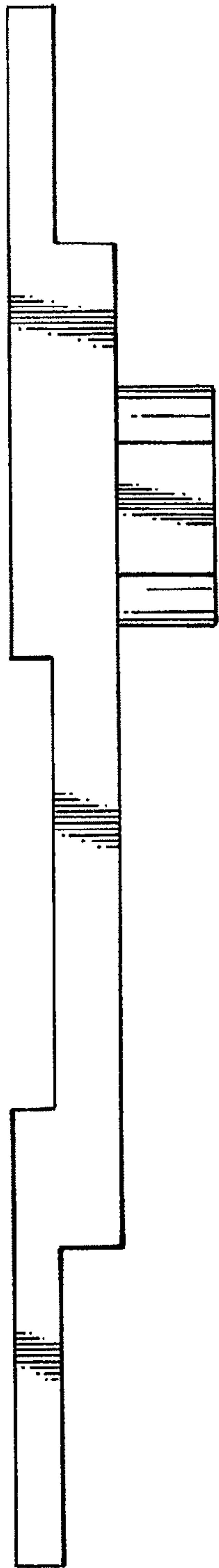


Fig. 4

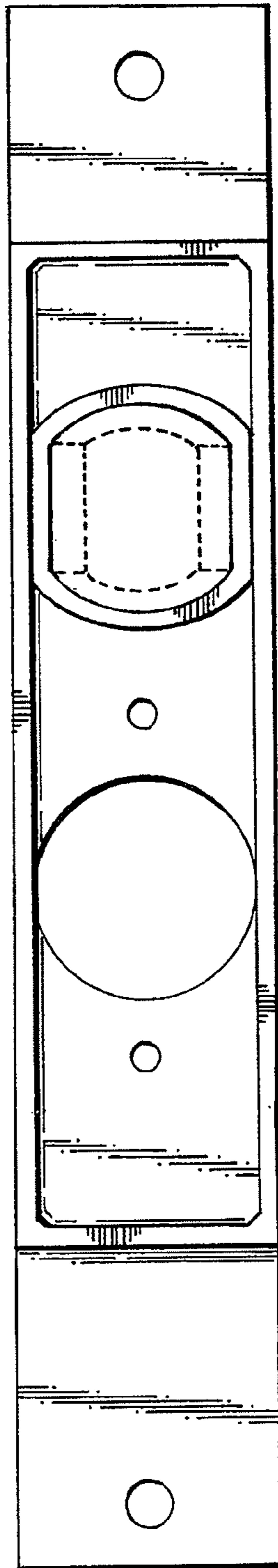


Fig. 5

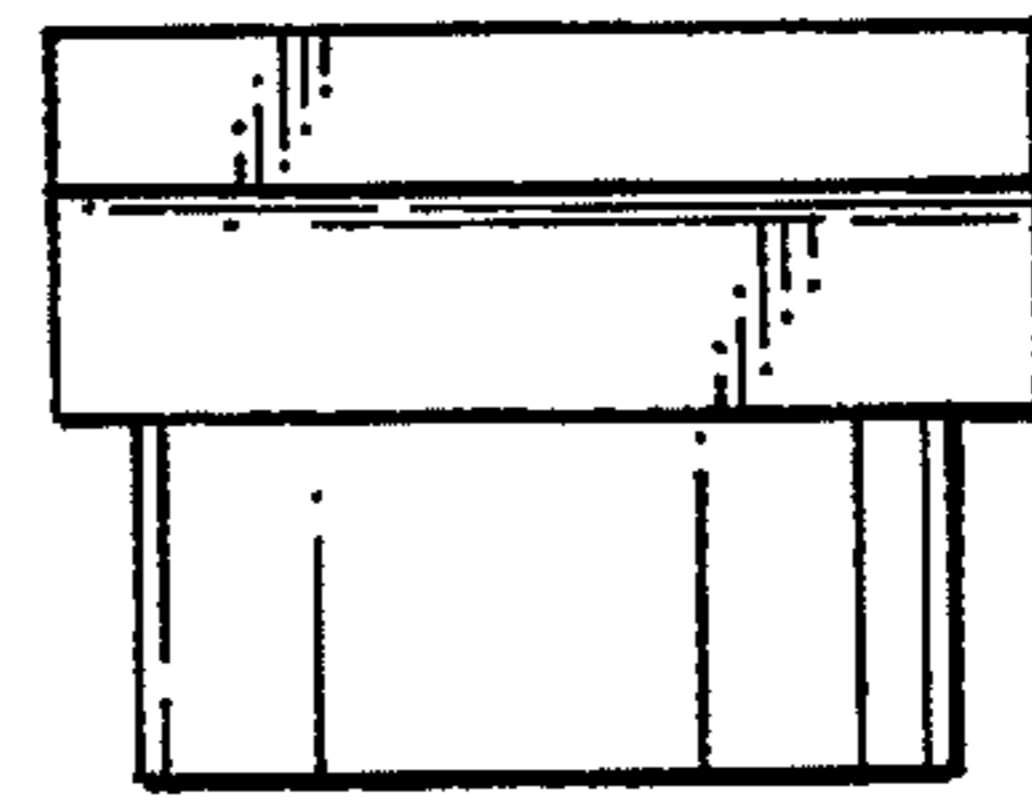


Fig. 6

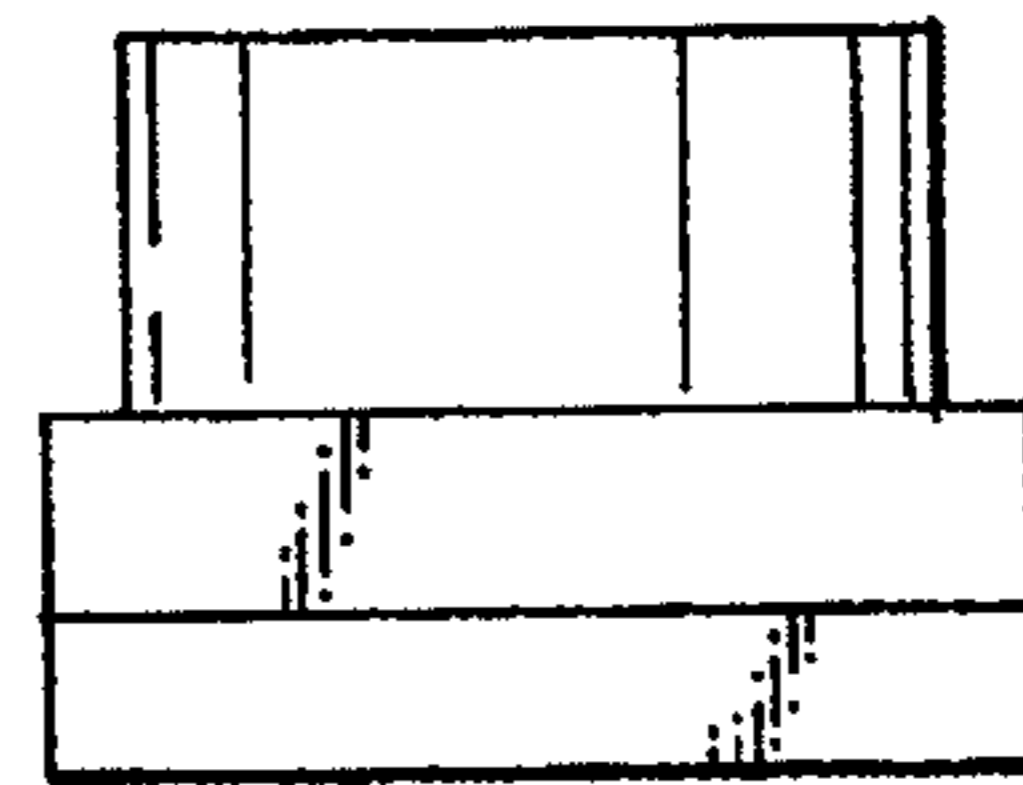


Fig. 7