



US00D666901S

(12) **United States Design Patent**
Surjan

(10) **Patent No.:** **US D666,901 S**

(45) **Date of Patent:** **** Sep. 11, 2012**

(54) **SCREEN TUBE**

(75) Inventor: **James Surjan**, Sherman, CT (US)

(73) Assignee: **Powers Products III, LLC**, Brewster, NY (US)

(**) Term: **14 Years**

(21) Appl. No.: **29/398,260**

(22) Filed: **Jul. 28, 2011**

(51) **LOC (9) Cl.** **08-08**

(52) **U.S. Cl.** **D8/387**

(58) **Field of Classification Search** D8/387,
D8/385, 388; 411/403, 337, 378, 411, 402,
411/410, 393, 405, 388, 404, 419, 387.1
See application file for complete search history.

(56) **References Cited**

U.S. PATENT DOCUMENTS

D170,571 S *	10/1953	Fulop	D8/387
D397,030 S *	8/1998	Lawson	D8/387
D407,302 S *	3/1999	Lawson	D8/387
D483,659 S *	12/2003	Naumoff	D8/387
D532,178 S *	11/2006	Martin	D34/31

D622,582 S *	8/2010	Lottner et al.	D8/387
D631,736 S *	2/2011	You	D8/387
D639,152 S *	6/2011	Watts	D8/387

* cited by examiner

Primary Examiner — Sheryl Lane

(74) *Attorney, Agent, or Firm* — Cantor Colburn LLP

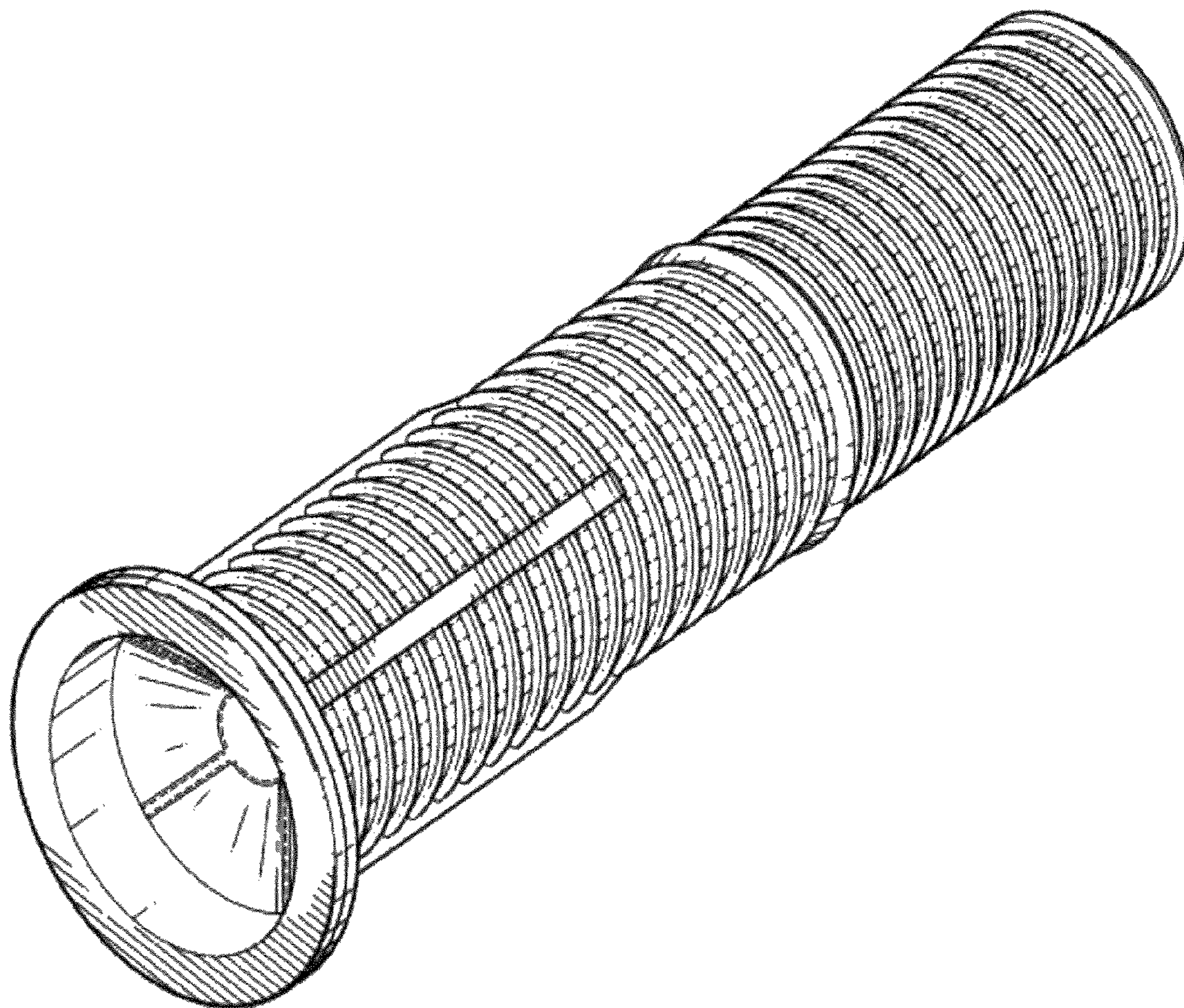
(57) **CLAIM**

I claim, the ornamental design for a screen tube, as shown and described.

DESCRIPTION

FIG. 1 is a perspective view of the screen tube;
FIG. 2 is an end view of the screen tube,
FIG. 3 is another end view opposite the view of FIG. 2 of the
screen tube; and,
FIG. 4 is a side plan view of the screen tube; with views at 90°,
180° and 270° rotation being identical hereto.
The broken line showing of the tube is included for the pur-
pose of illustrating boundaries and forms no part of the
claimed design.
The depth of the interior surface shown in FIG. 3 forms no
part of the claimed design.

1 Claim, 3 Drawing Sheets



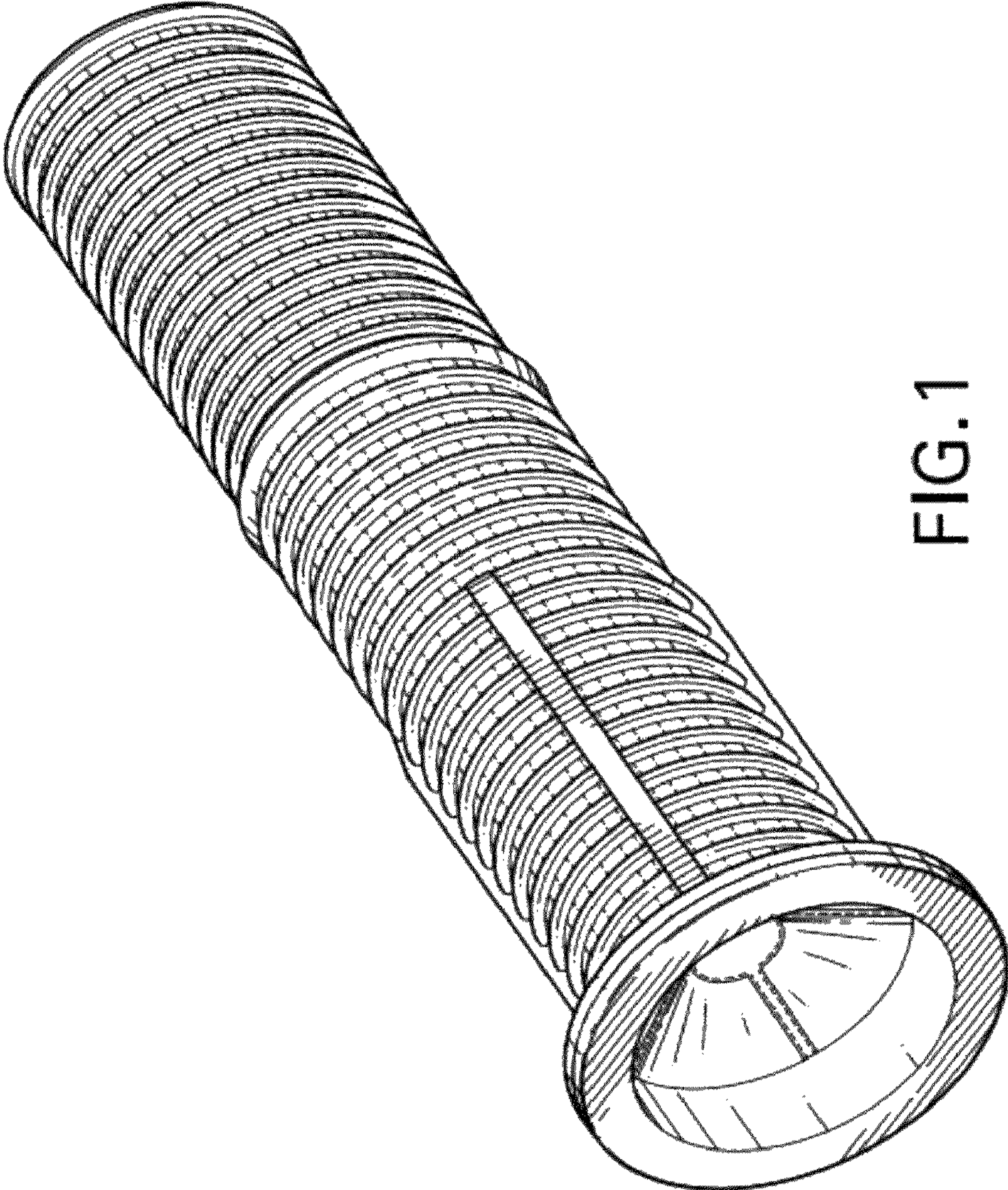


FIG. 1

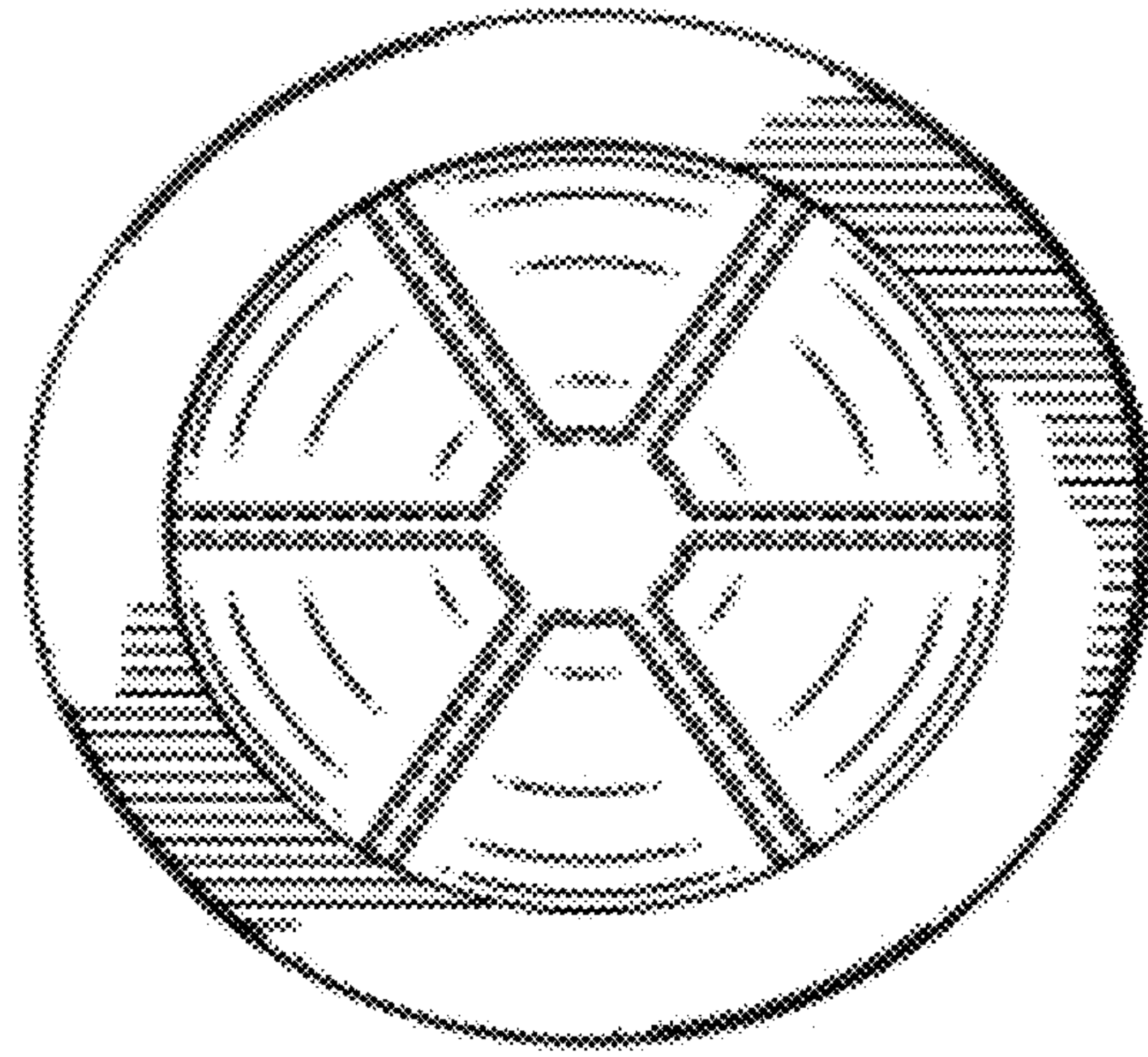


FIG. 2

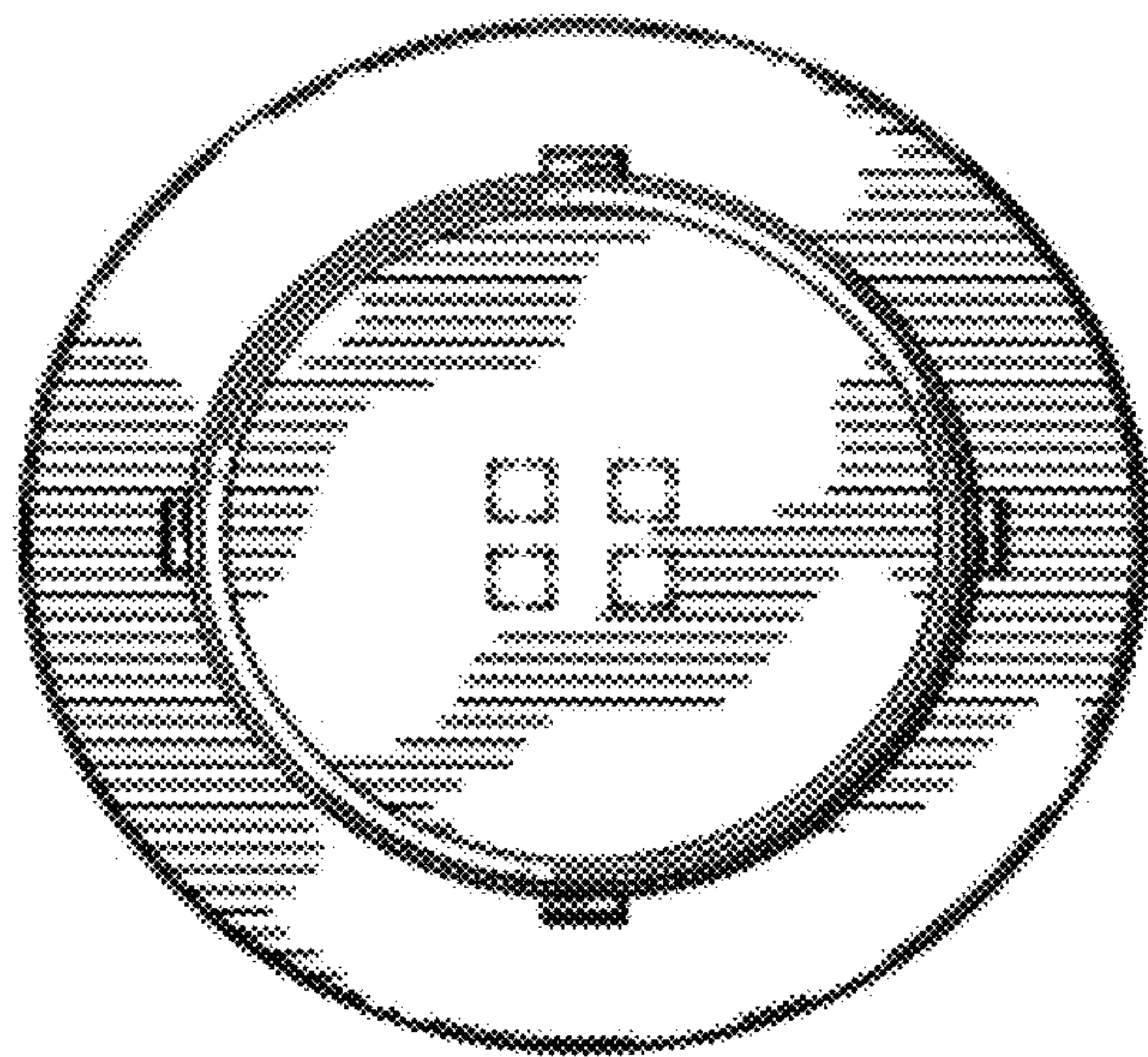


FIG. 3

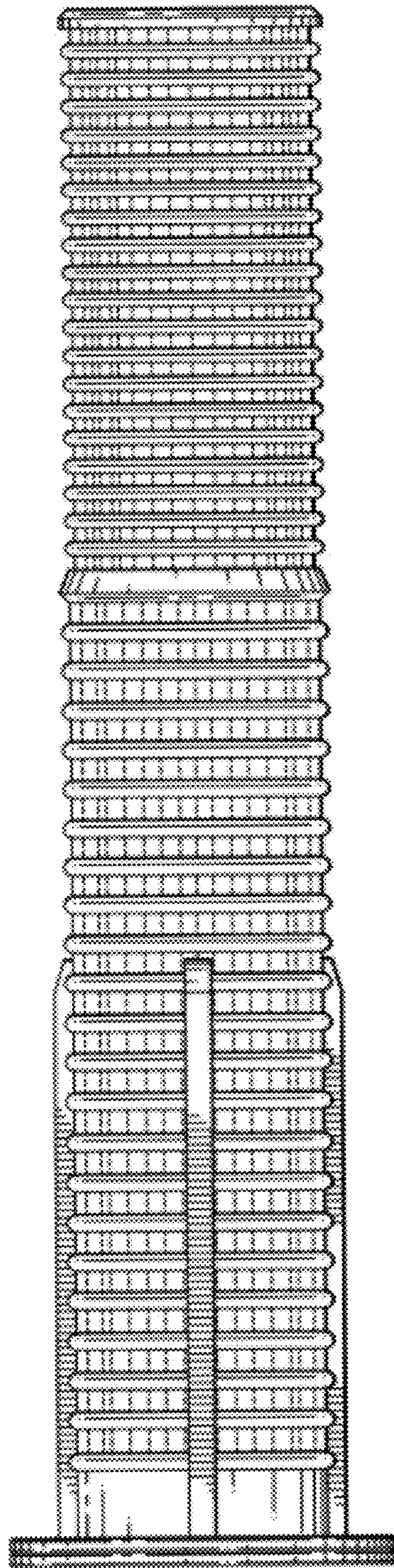


FIG. 4