

US00D666900S

(12) **United States Design Patent**
Ogino et al.

(10) **Patent No.:** **US D666,900 S**

(45) **Date of Patent:** **** Sep. 11, 2012**

(54) **CLIP**

D590,241 S * 4/2009 Kubo et al. D8/382
D617,178 S * 6/2010 Sakai D8/382

(75) Inventors: **Tetsuya Ogino**, Toyota (JP); **Makoto Kato**, Toyota (JP); **Toshio Iwahara**, Okazaki (JP)

* cited by examiner

Primary Examiner — Sheryl Lane

(73) Assignee: **Daiwa Kasei Kogyo Kabushiki Kaisha**, Aichi-ken (JP)

(74) *Attorney, Agent, or Firm* — Dennison, Schultz & MacDonald

(**) Term: **14 Years**

(57) **CLAIM**

We claim the ornamental design for a clip, as shown and described.

(21) Appl. No.: **29/410,638**

DESCRIPTION

(22) Filed: **Jan. 10, 2012**

(30) **Foreign Application Priority Data**

Jul. 11, 2011 (JP) 2011-015795

(51) **LOC (9) Cl.** **08-08**

(52) **U.S. Cl.** **D8/385**

(58) **Field of Classification Search** D8/382,
D8/385, 386; 411/55, 57, 60, 510, 500, 501
See application file for complete search history.

FIG. 1 is a perspective view of a clip showing our new design viewed from an upper direction;

FIG. 2 is a perspective view thereof viewed from a lower direction;

FIG. 3 is a front elevation view thereof;

FIG. 4 is a right side elevation view thereof;

FIG. 5 is a top plan view thereof;

FIG. 6 is a bottom plan view thereof;

FIG. 7 is a sectional view thereof taken along line 7-7 in FIG. 3;

FIG. 8 is a sectional view thereof taken along line 8-8 in FIG. 4;

FIG. 9 is a first reference view thereof showing the state of use; and,

FIG. 10 is a second reference view thereof showing the state of use.

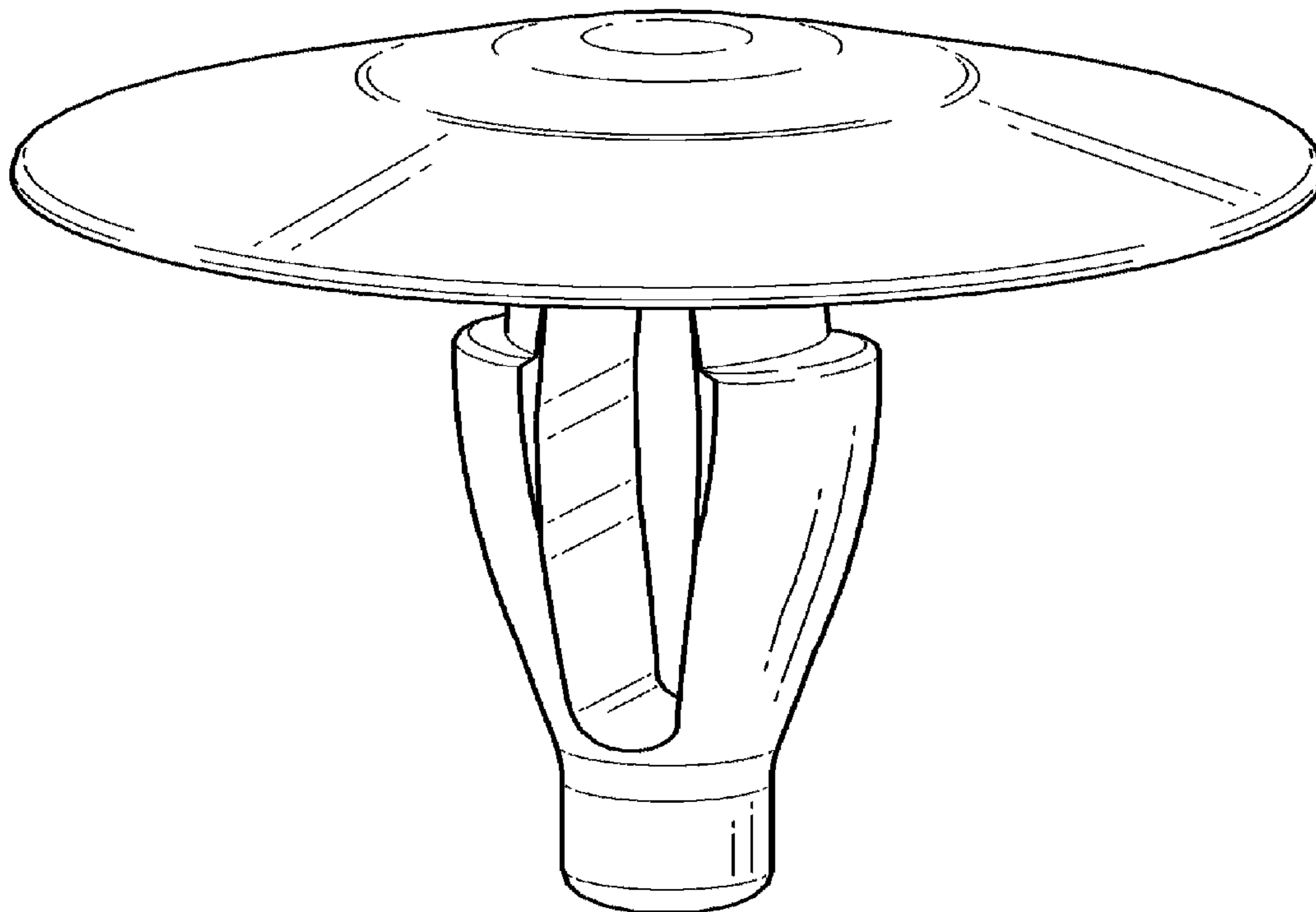
The broken lines in the drawings are included for the purpose of illustrating environment and form no part of the claimed design.

(56) **References Cited**

U.S. PATENT DOCUMENTS

D325,696 S *	4/1992	Kurihara et al.	D8/385
D326,049 S *	5/1992	Kurihara et al.	D8/385
D382,466 S *	8/1997	Hirose	D8/382
D456,699 S *	5/2002	Nakanishi	D8/382
D484,779 S *	1/2004	Shibuya	D8/382
D536,956 S *	2/2007	Huang	D8/385
7,222,398 B2 *	5/2007	Koike	24/297
D589,333 S *	3/2009	Nakazato	D8/382

1 Claim, 6 Drawing Sheets



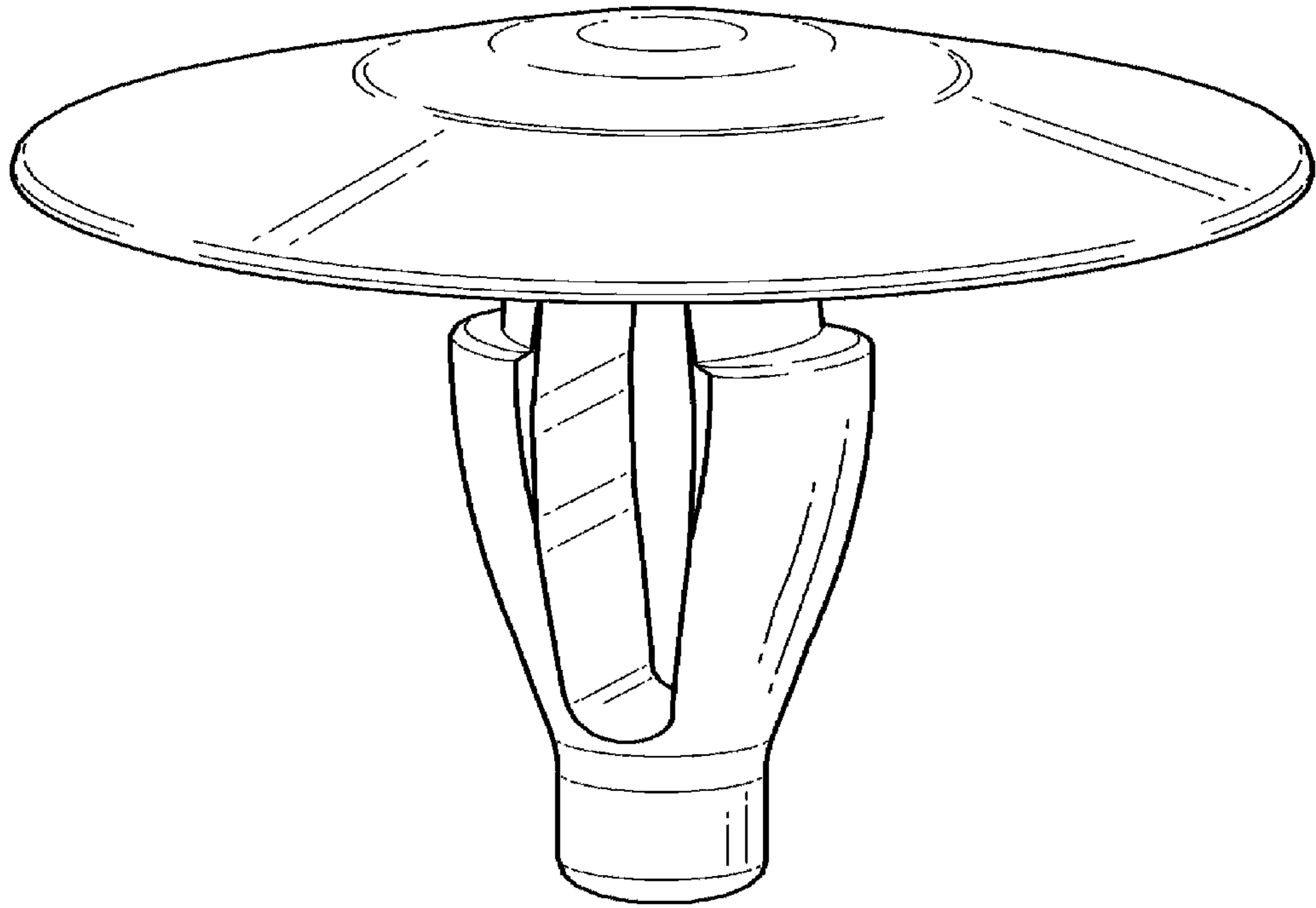


FIG. 1

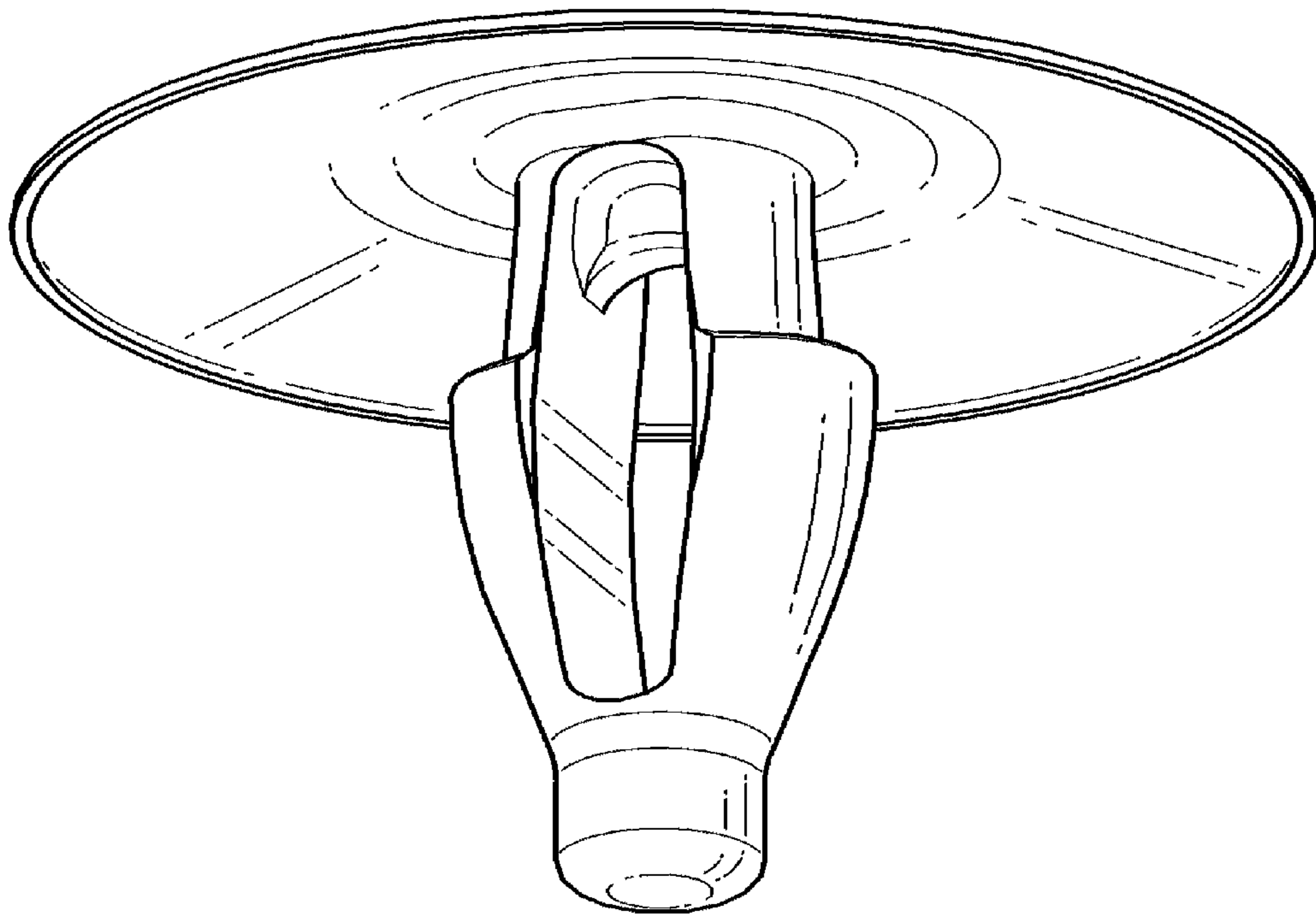


FIG. 2

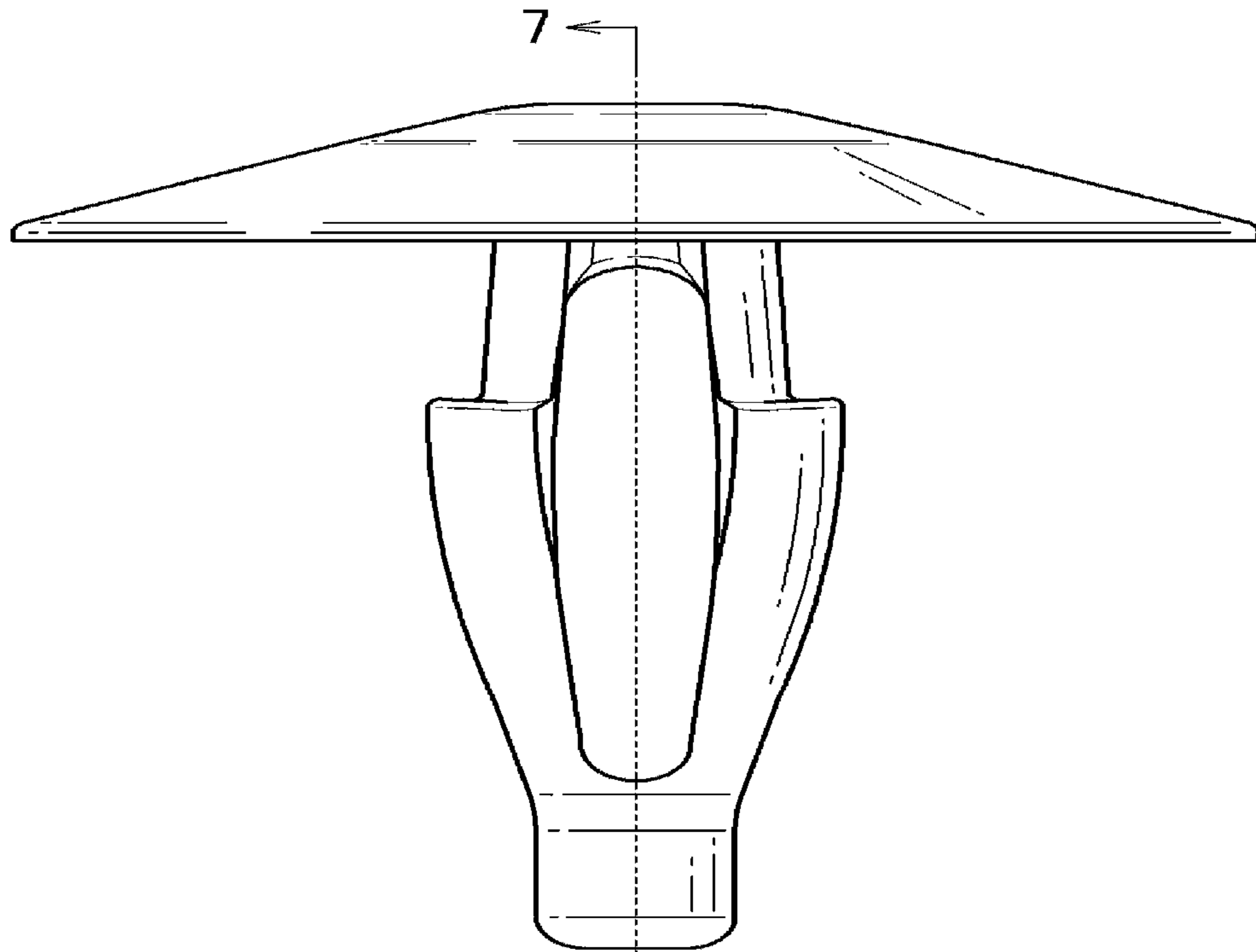


FIG. 3

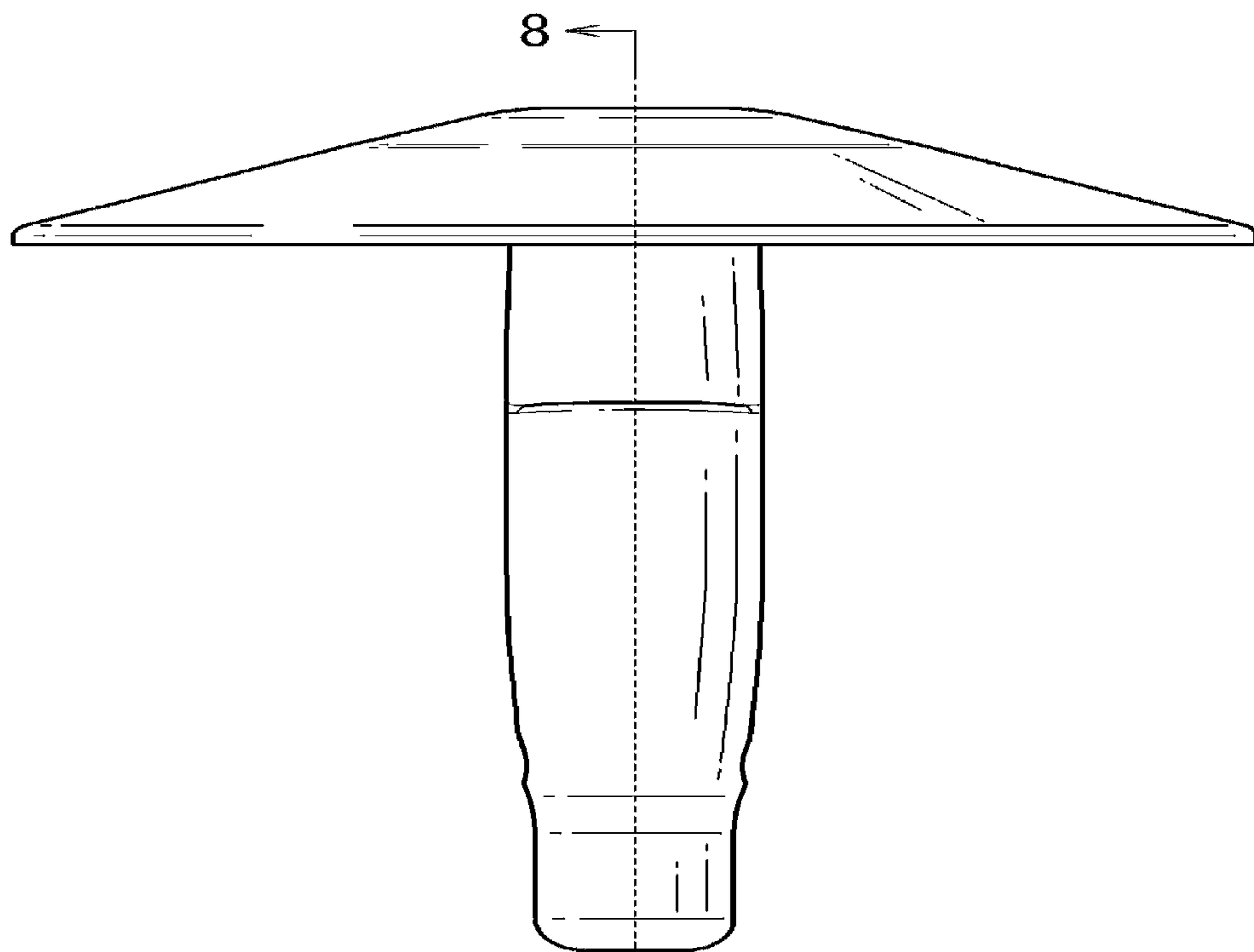


FIG. 4

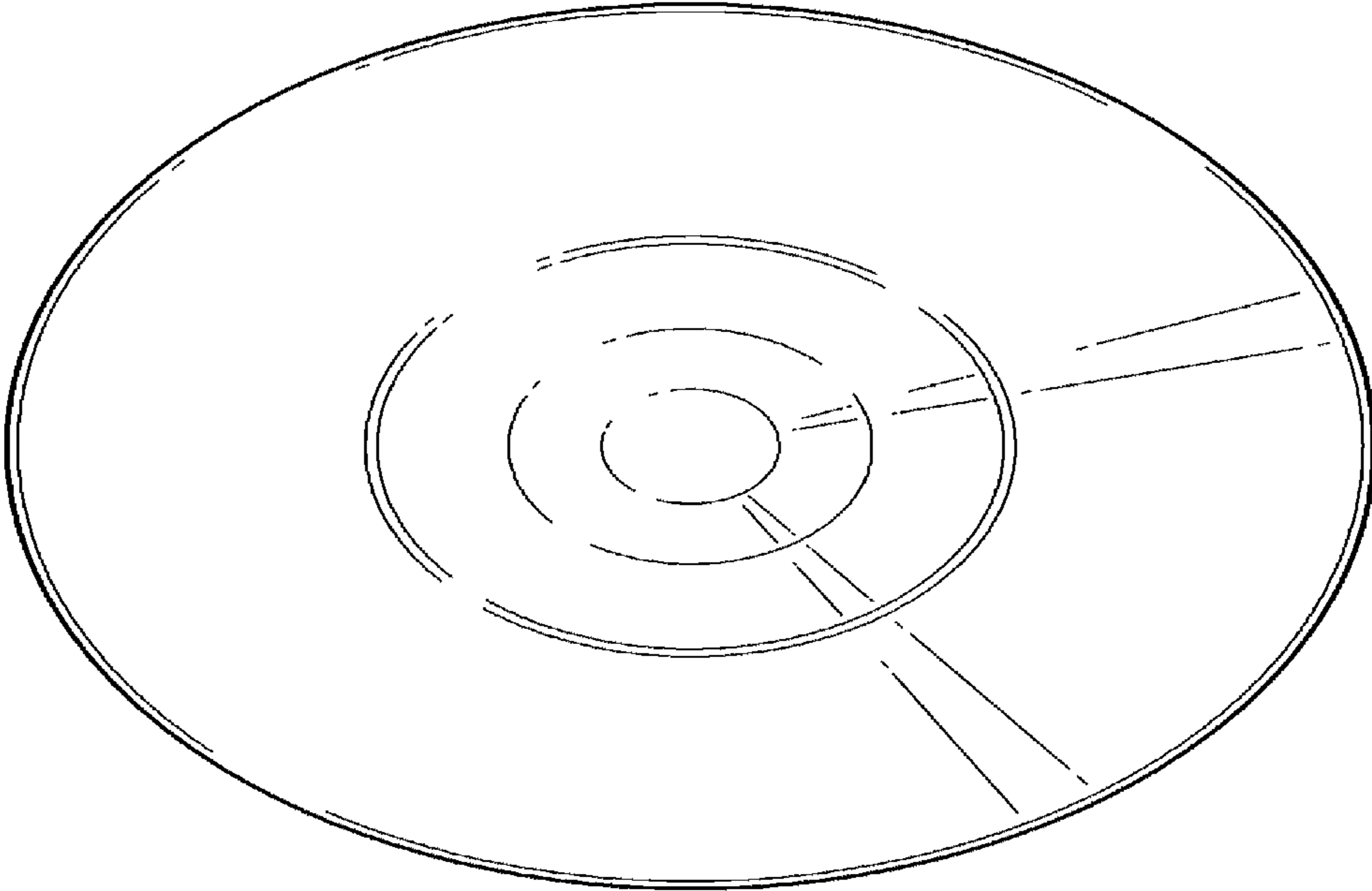


FIG. 5

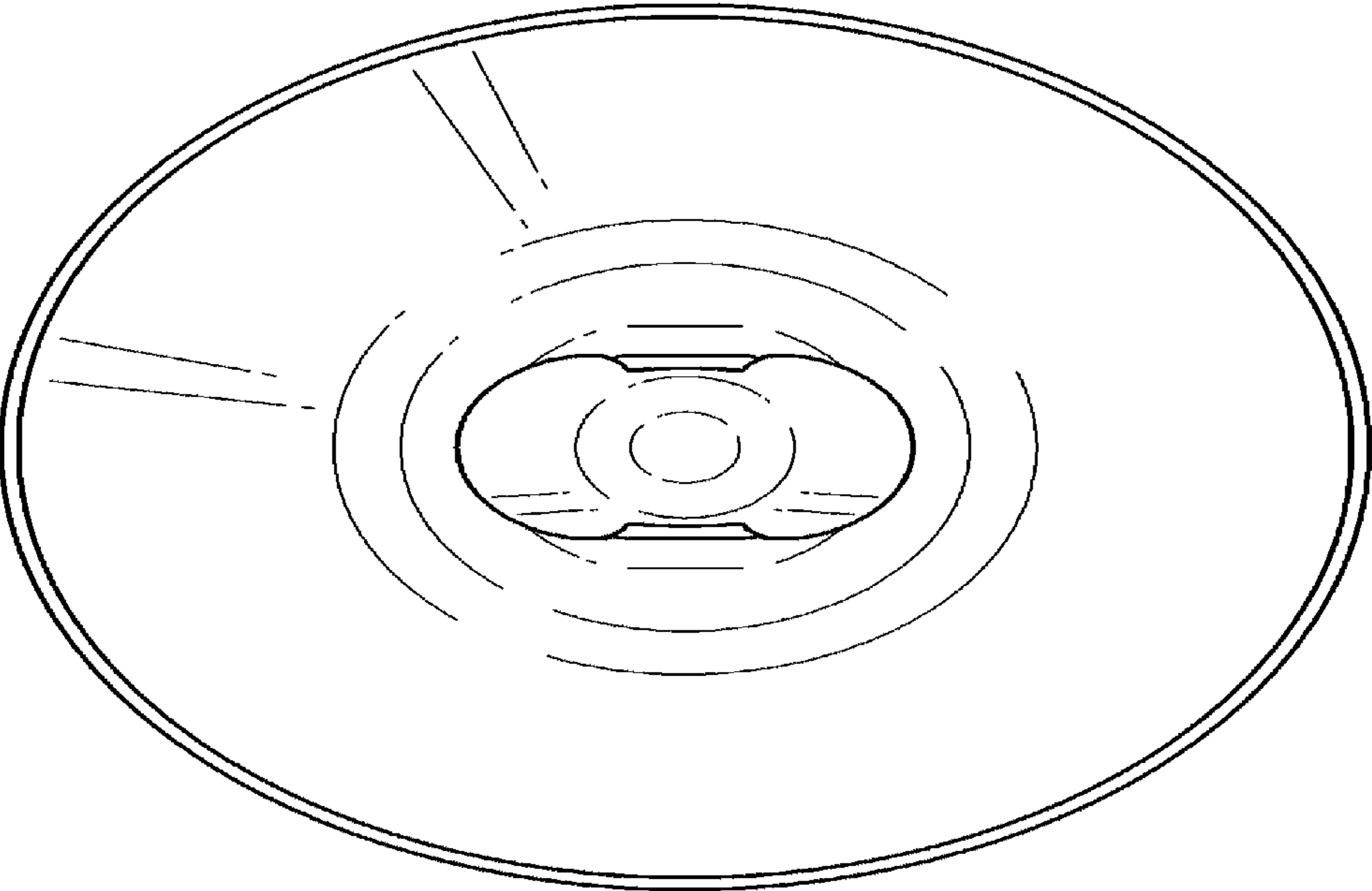


FIG. 6

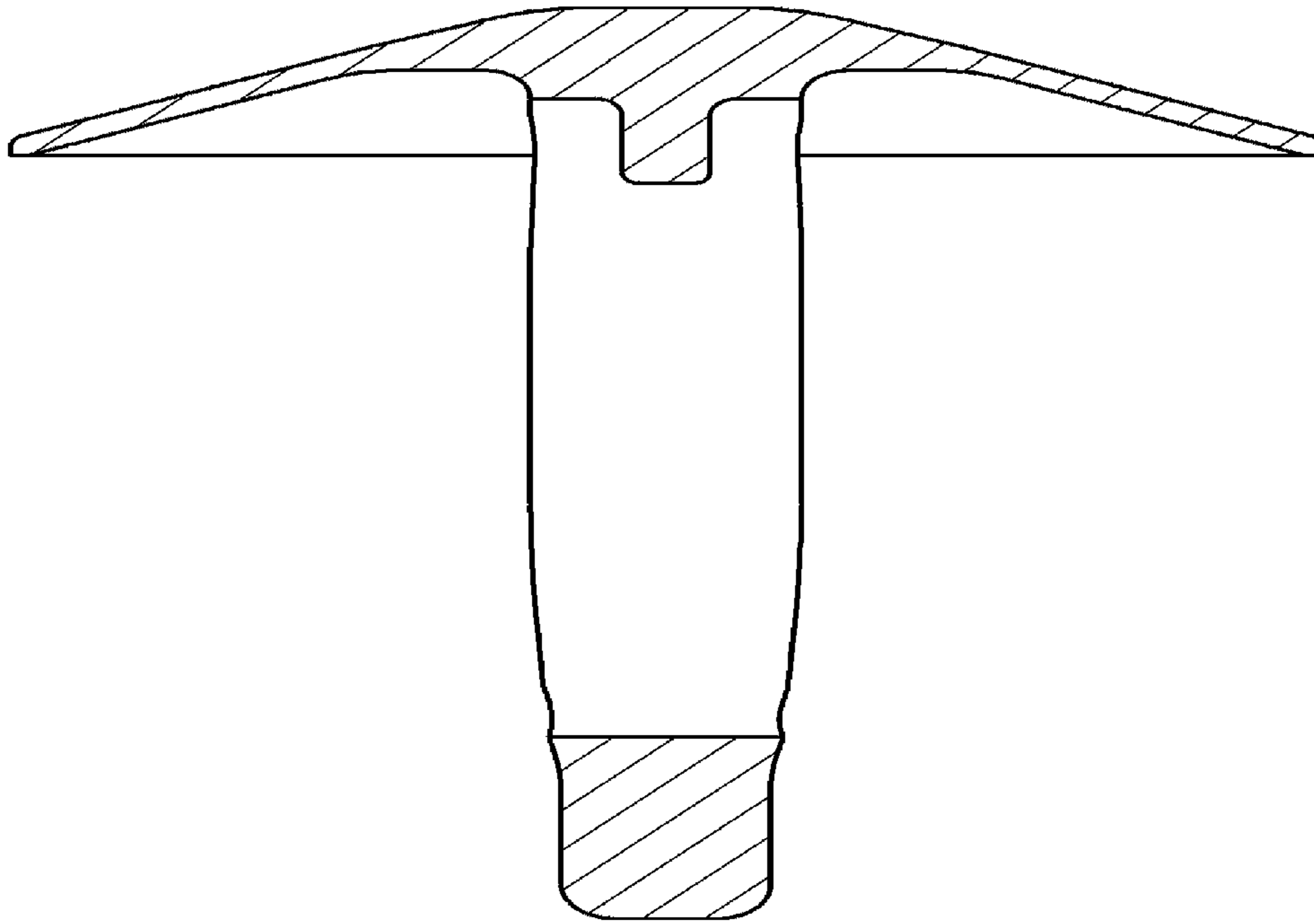


FIG. 7

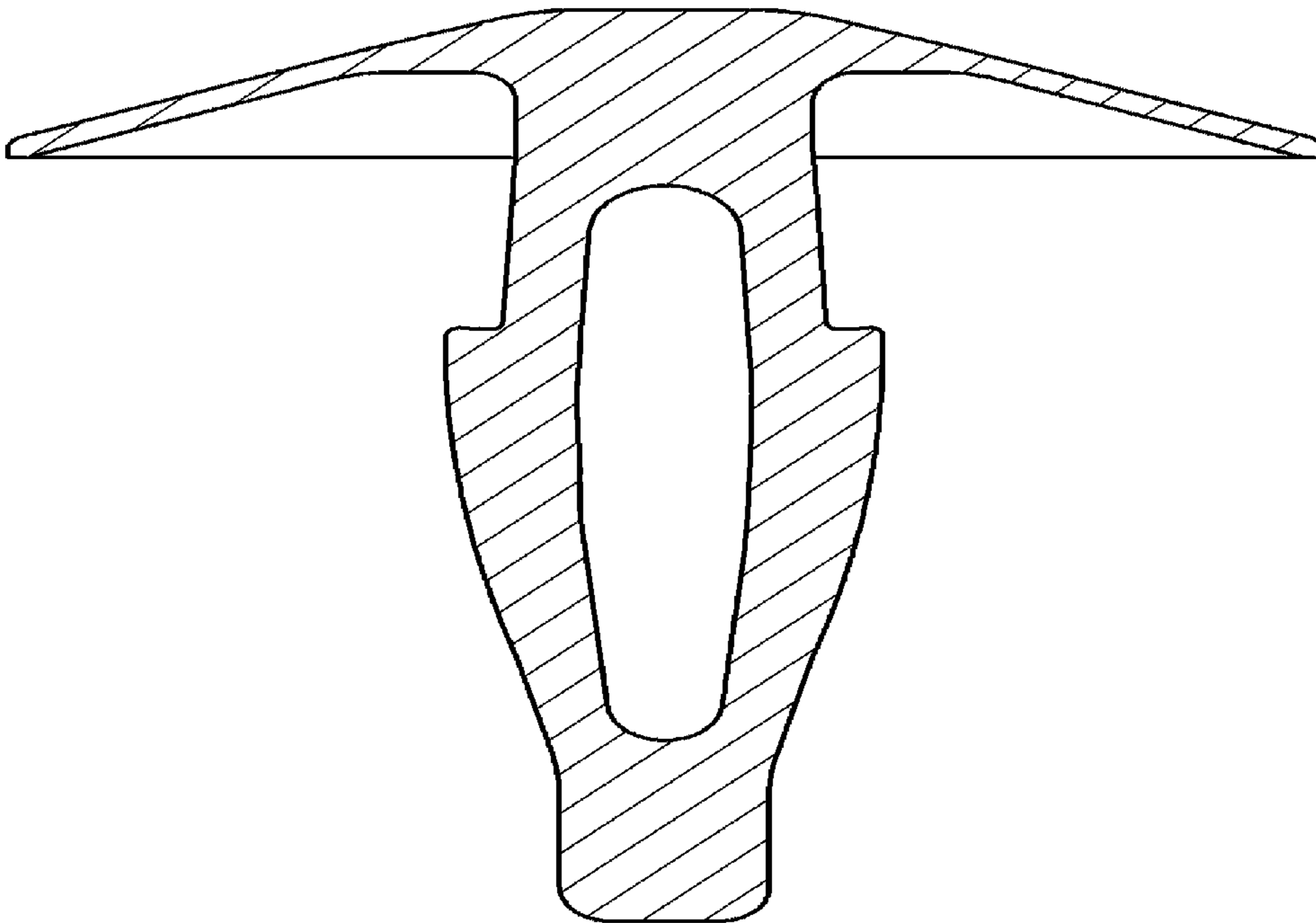


FIG. 8

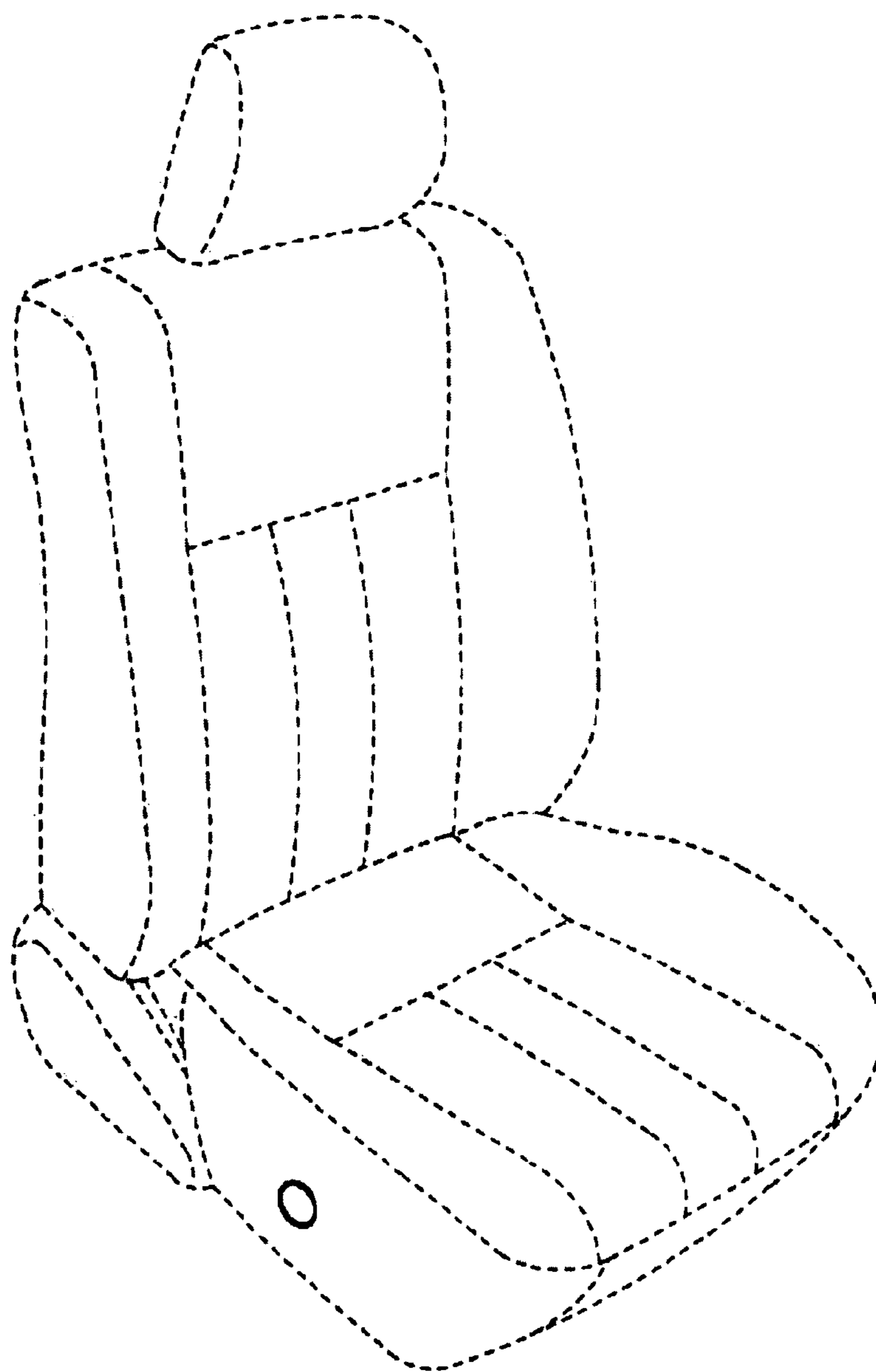


FIG. 9

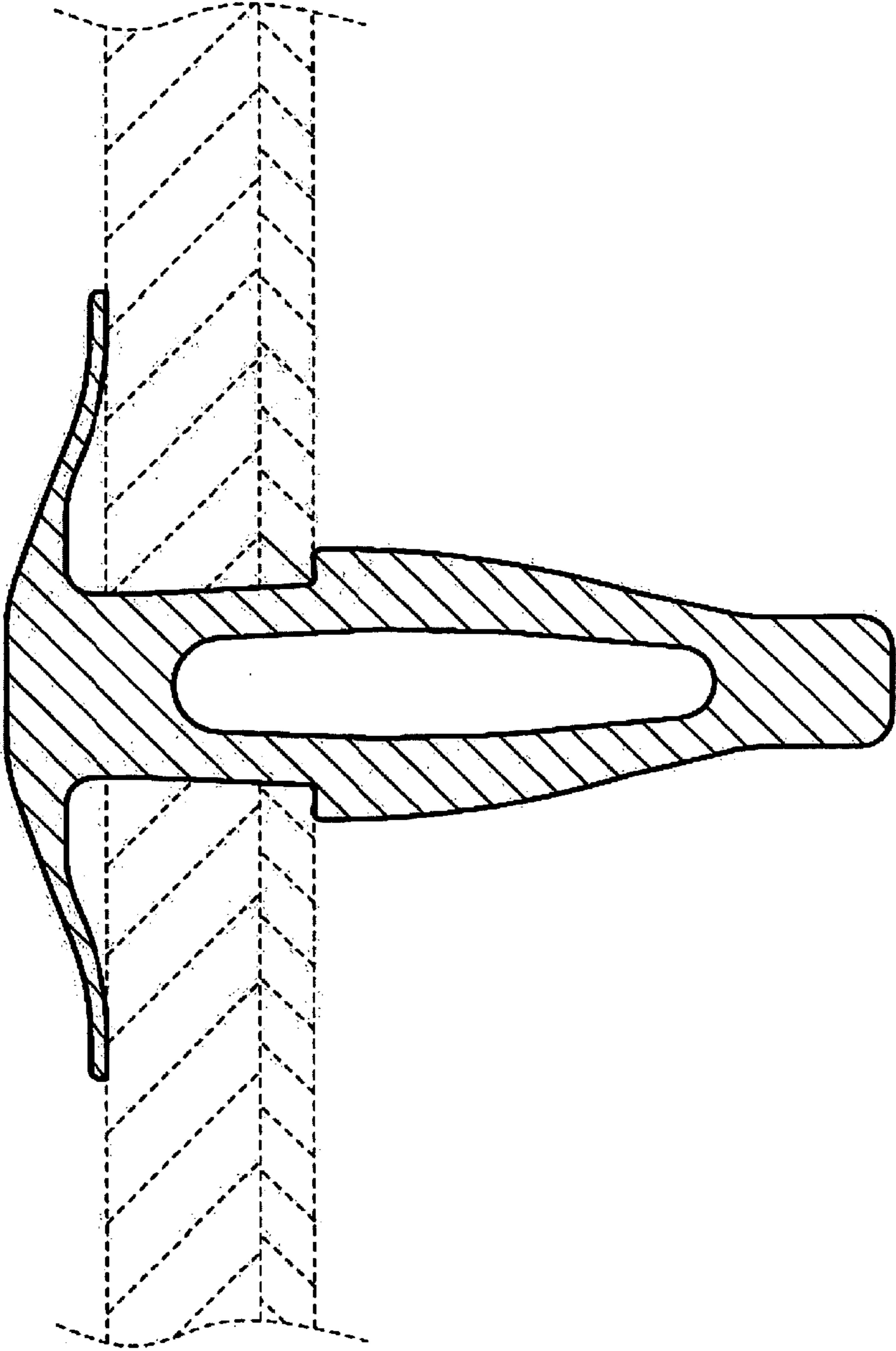


FIG. 10