



US00D666899S

(12) **United States Design Patent**  
**Eichner et al.**

(10) **Patent No.:** **US D666,899 S**

(45) **Date of Patent:** **\*\* Sep. 11, 2012**

(54) **CROWN MOUNTING BLOCK**

(75) Inventors: **Josh Eichner**, Stony Brook, NY (US);  
**David Rosner**, Stony Brook, NY (US)

(73) Assignee: **Framerica Corporation**, Yaphank, NY  
(US)

(\*\*) Term: **14 Years**

(21) Appl. No.: **29/390,990**

(22) Filed: **May 2, 2011**

(51) **LOC (9) Cl.** ..... **08-05**

(52) **U.S. Cl.** ..... **D8/380**

(58) **Field of Classification Search** ..... D8/349,  
D8/354, 358, 359, 380, 381, 382; D3/24;  
D15/5, 138, 147, 199; 474/7, 29, 47-53,  
474/161, 196, 198; 315/15; 248/200, 235,  
248/250, 636; 242/118.6, 476.6

See application file for complete search history.

(56) **References Cited**

U.S. PATENT DOCUMENTS

D615,853 S \* 5/2010 Sullivan ..... D8/380  
D619,882 S \* 7/2010 Estok ..... D8/380  
D627,212 S \* 11/2010 Hikoyama ..... D8/380

\* cited by examiner

*Primary Examiner* — Susan Bennett Hattan

*Assistant Examiner* — Barbara B Lohr

(74) *Attorney, Agent, or Firm* — Brad M. Behar &  
Associates, PLLC

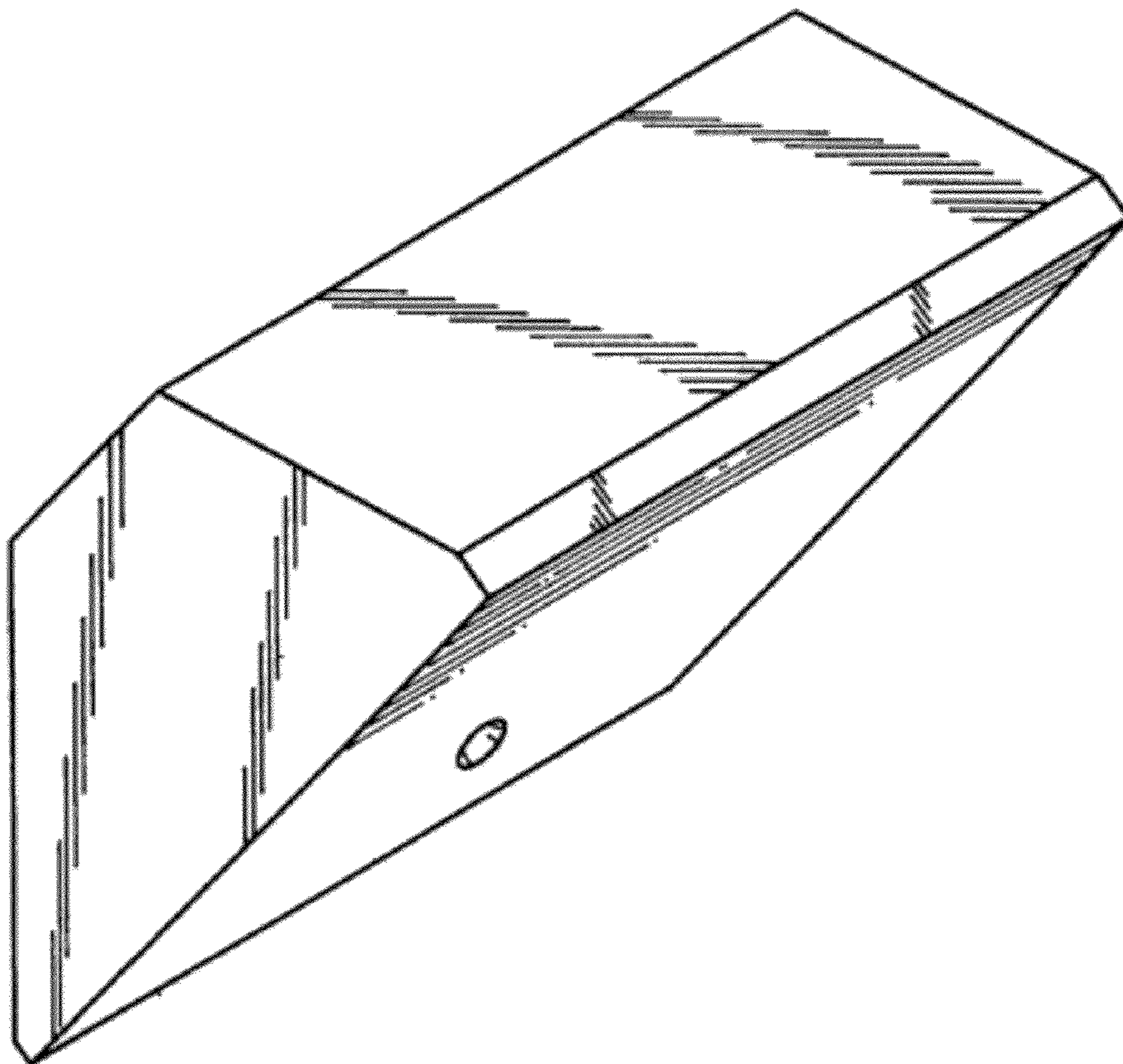
(57) **CLAIM**

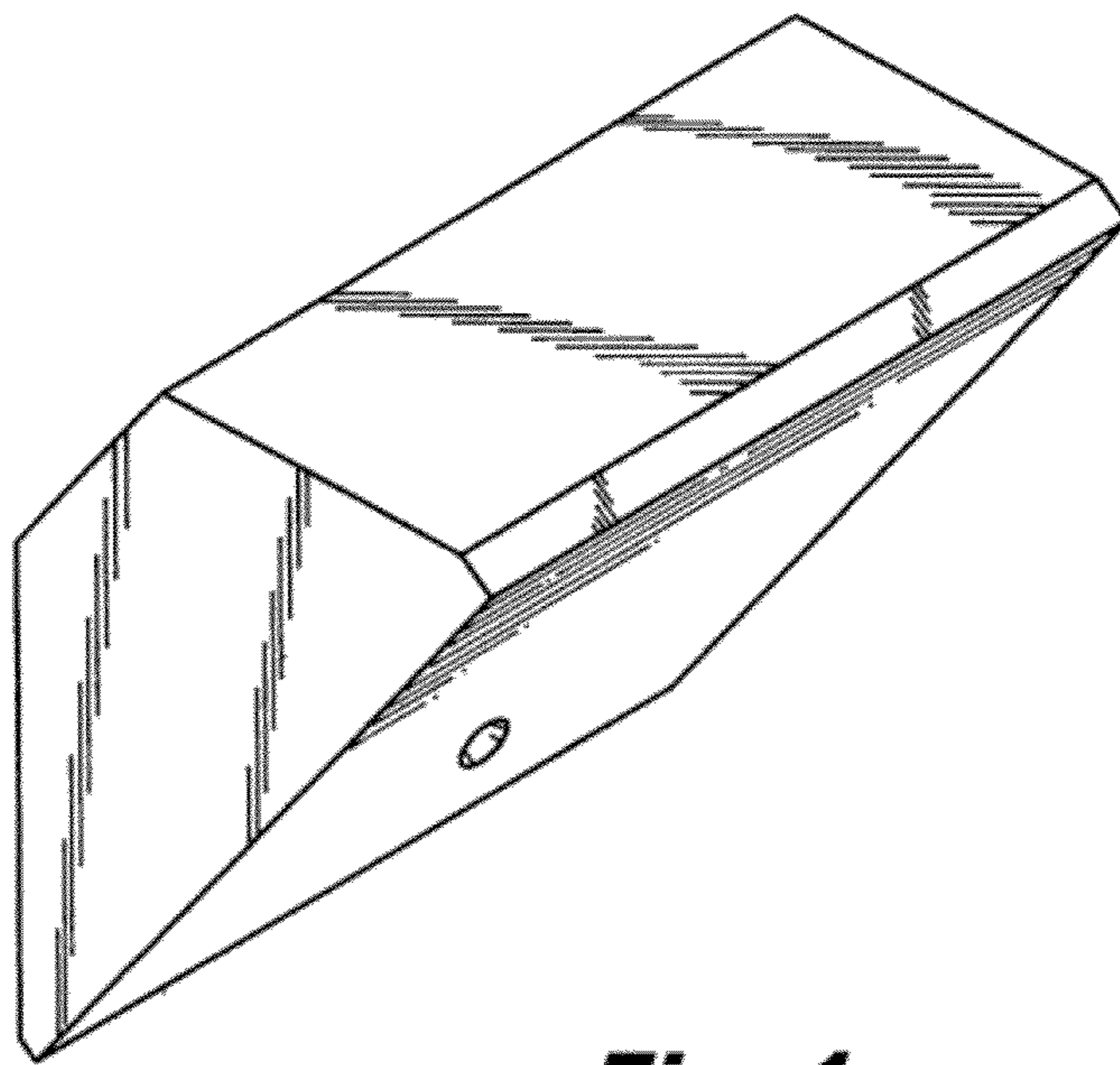
The ornamental design for a crown mounting block, as shown  
and described.

**DESCRIPTION**

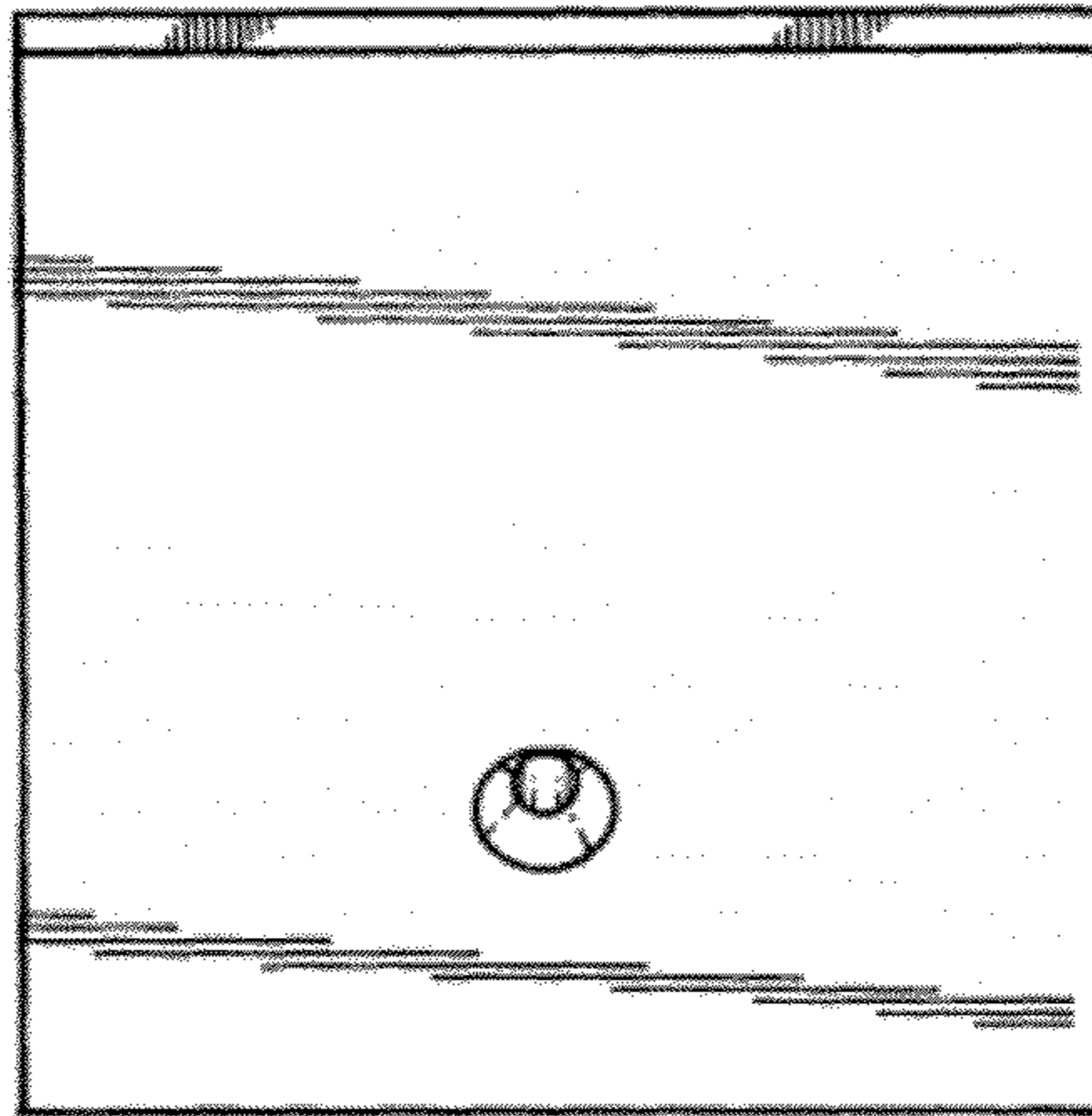
FIG. 1 is a front perspective view of a crown mounting block  
showing my new design;  
FIG. 2 is a front elevation view thereof;  
FIG. 3 is a back elevation view thereof,  
FIG. 4 is a left side view thereof;  
FIG. 5 is a right side view thereof;  
FIG. 6 is a top plan view thereof; and,  
FIG. 7 is a bottom plan view thereof.

**1 Claim, 7 Drawing Sheets**

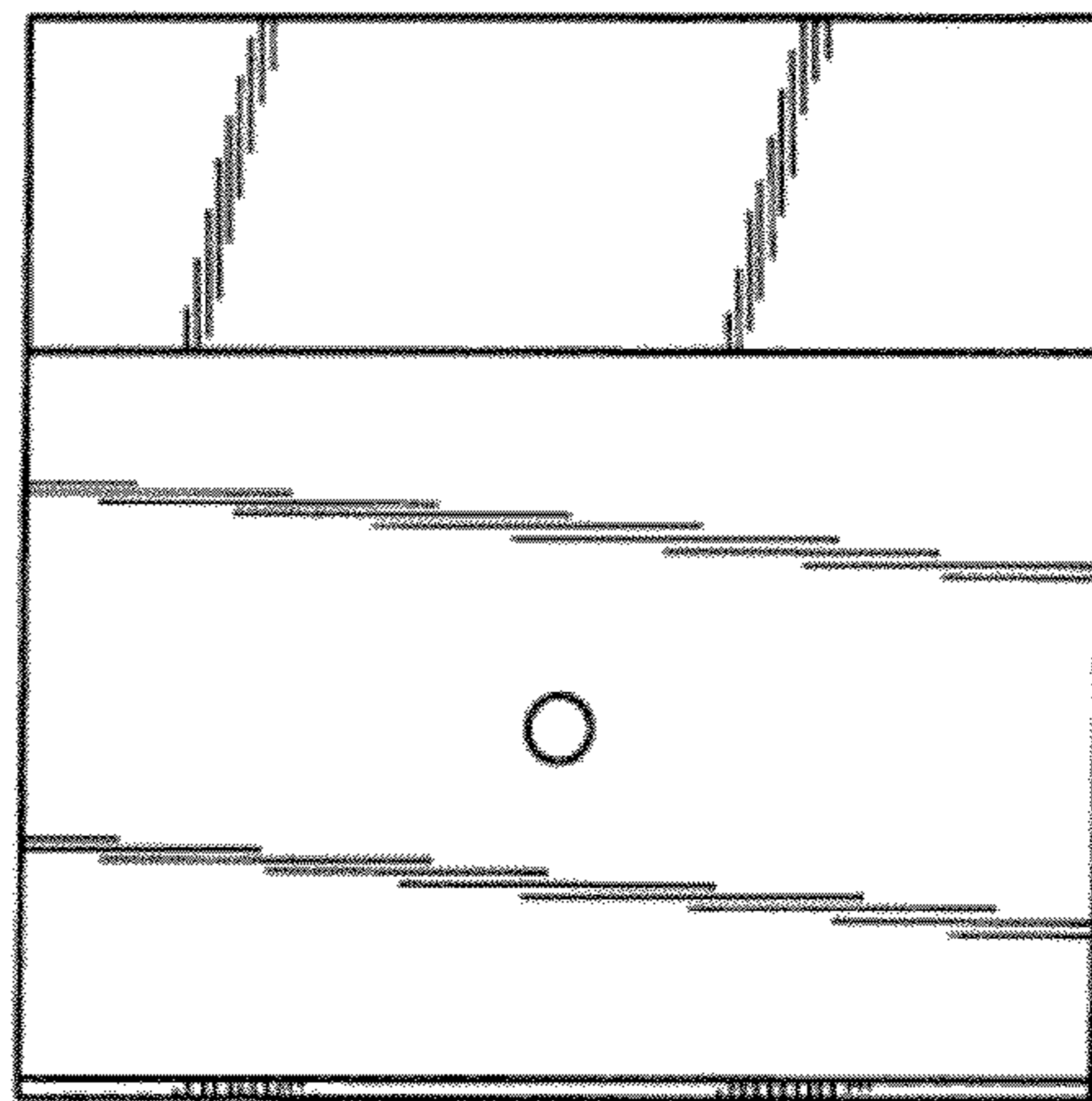




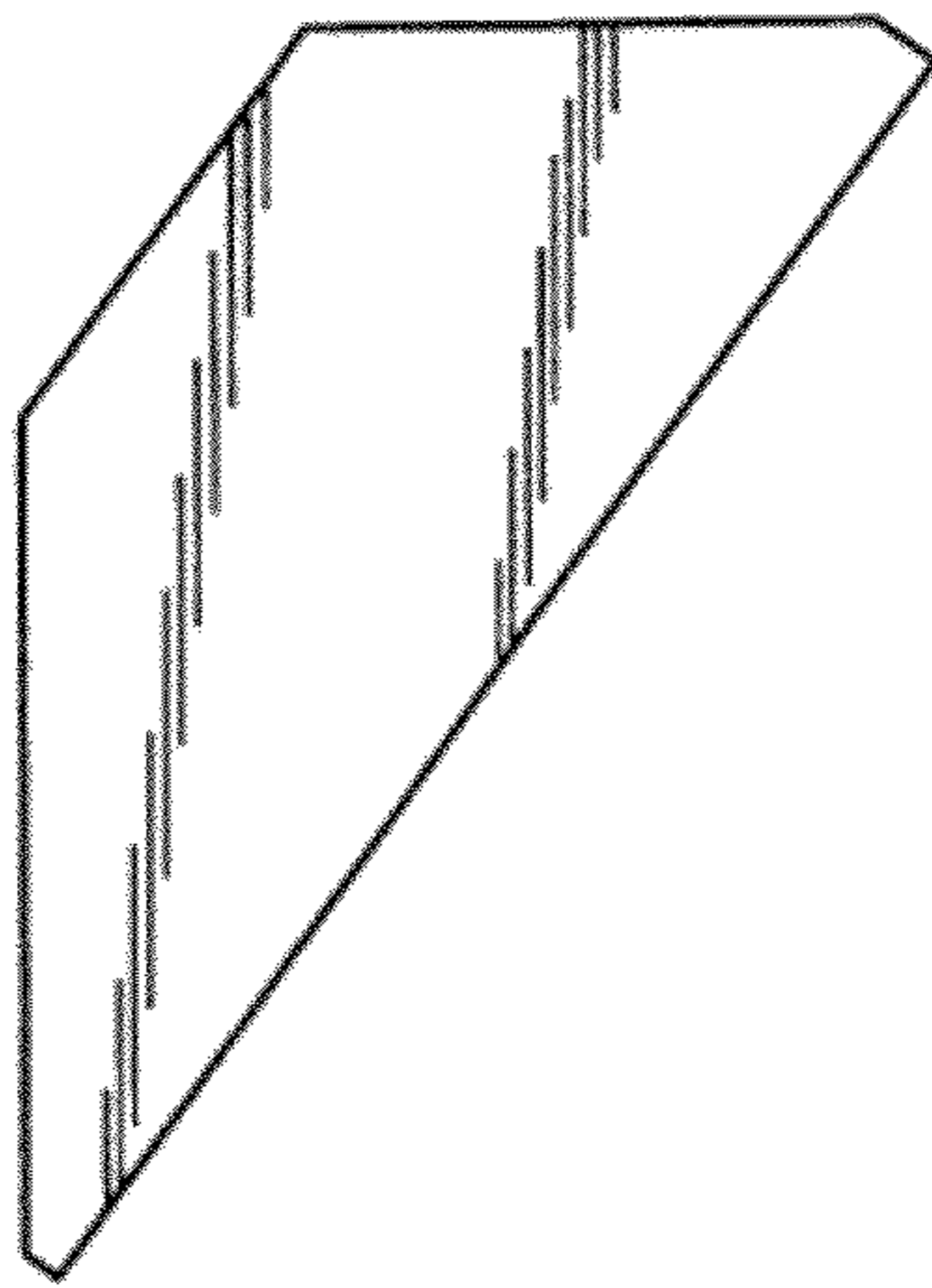
**Fig. 1**



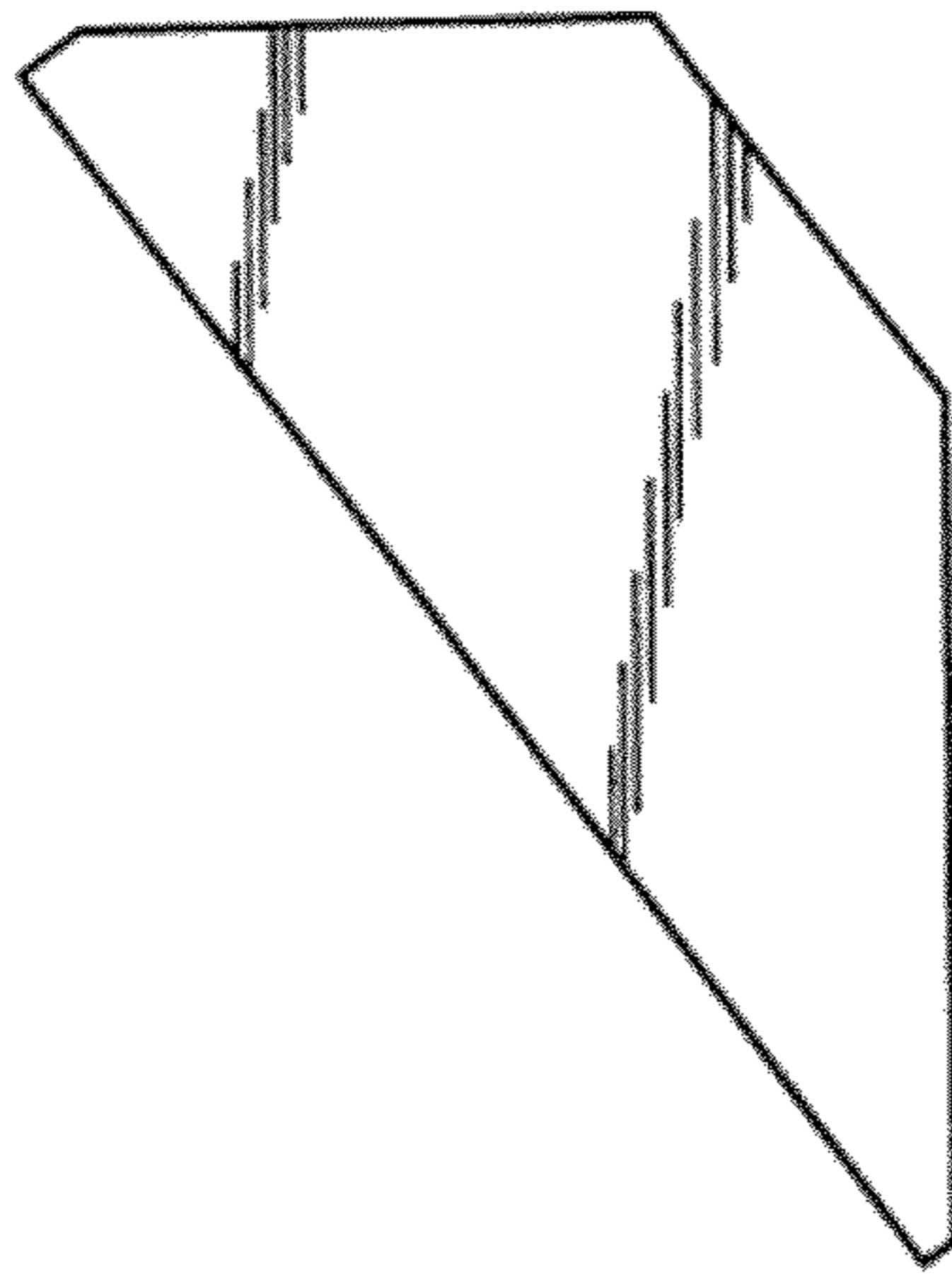
**Fig. 2**



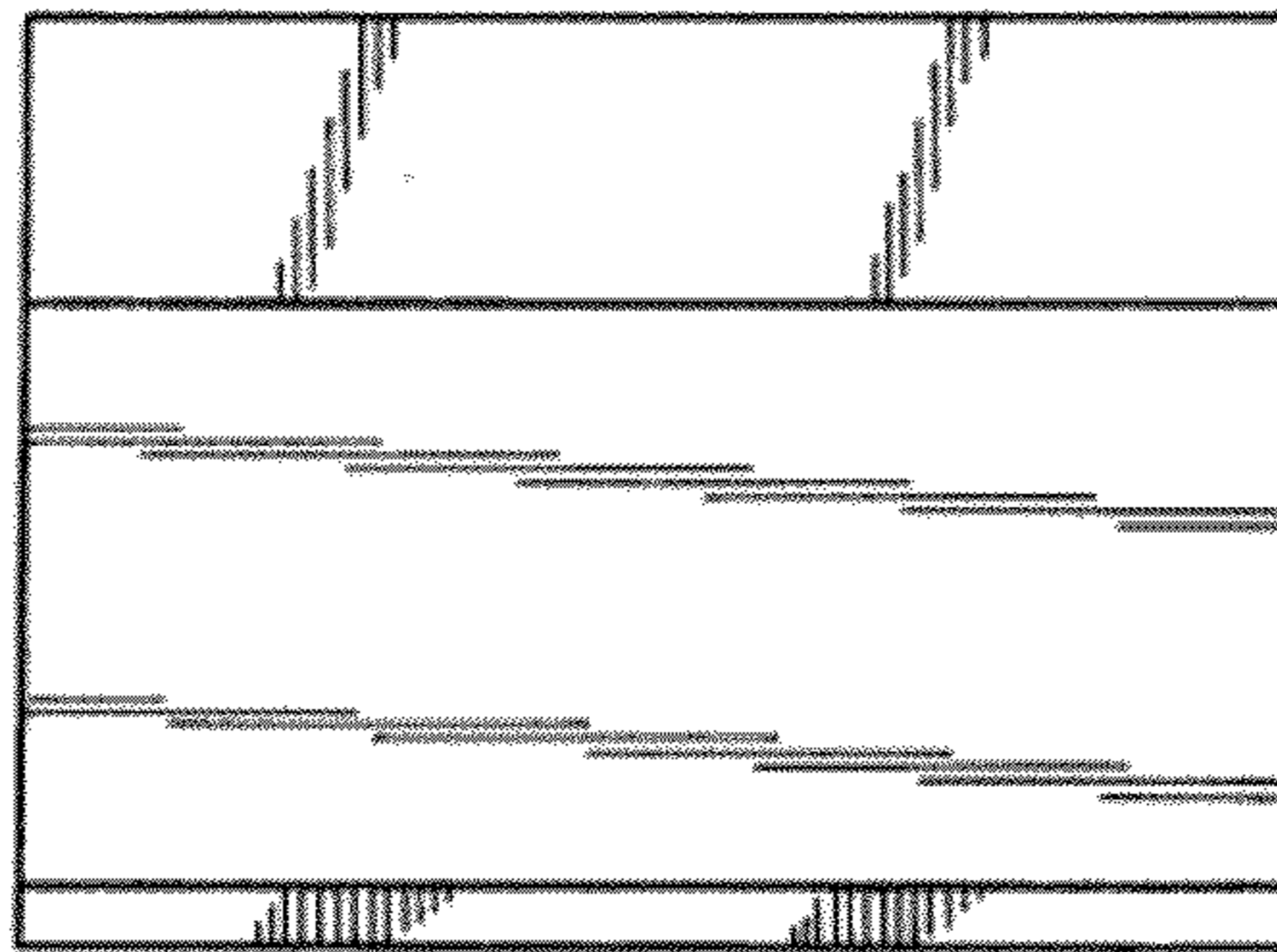
**Fig. 3**



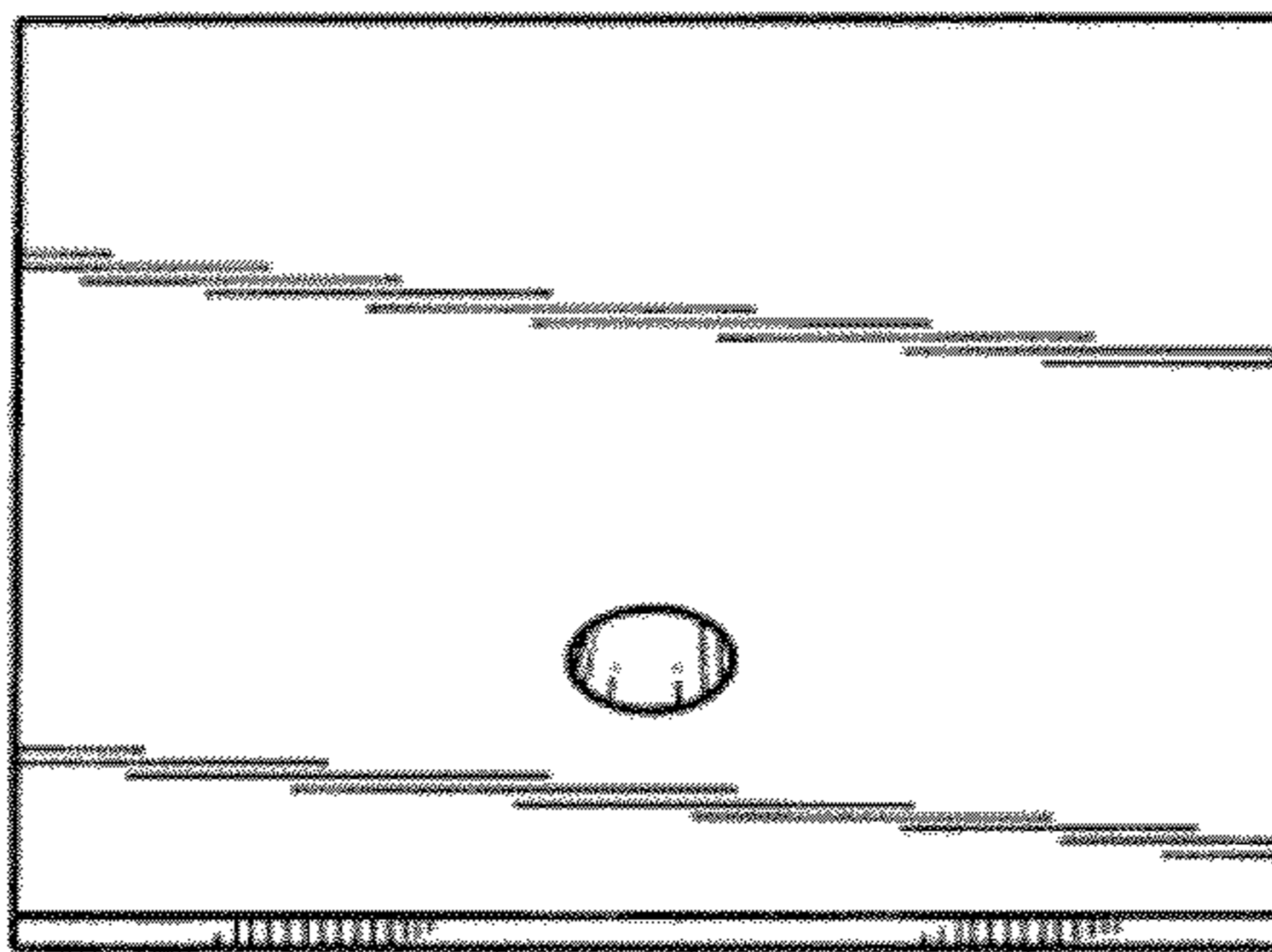
***Fig. 4***



***Fig. 5***



**Fig. 6**



***Fig. 7***