



US00D666894S

(12) **United States Design Patent**  
**Bombino et al.**

(10) **Patent No.:** **US D666,894 S**  
(45) **Date of Patent:** **\*\* Sep. 11, 2012**

(54) **GIRT SPACER**

(75) Inventors: **Roberto Bombino**, Seattle, WA (US);  
**Kevin Joseph Michael Ganzert**,  
Coquitlam (CA); **Warren Samuel**  
**Knowles**, Coquitlam (CA); **Edward**  
**Peter Thiessen**, Coquitlam (CA);  
**Michael James Wilson**, North Saanich  
(CA)

(73) Assignee: **Cascadia Windows, Ltd.** (CA)

(\*\*) Term: **14 Years**

(21) Appl. No.: **29/389,785**

(22) Filed: **Apr. 15, 2011**

(51) **LOC (9) Cl.** ..... **08-05**

(52) **U.S. Cl.** ..... **D8/354**

(58) **Field of Classification Search** ..... D8/354;  
52/345, 395, 402, 407.1, 781.3, 764, 583.1,  
52/786.13, 649.7, 651.3, 651.08, 649.8, 677  
See application file for complete search history.

(56) **References Cited**

U.S. PATENT DOCUMENTS

3,343,329	A *	9/1967	Pohutsky	.....	52/677
4,333,290	A	6/1982	Koberstein		
4,434,601	A *	3/1984	Zellmer	.....	52/745.13
5,062,250	A	11/1991	Buzzella		
D340,856	S *	11/1993	McHugh	.....	D8/354
5,724,780	A *	3/1998	Bolich	.....	52/407.4
6,367,219	B1	4/2002	Quinlan		
6,672,014	B1 *	1/2004	Jones	.....	52/92.2
6,886,790	B2 *	5/2005	Soyris	.....	248/200
D587,099	S *	2/2009	Brizendine	.....	D8/354
7,827,756	B2 *	11/2010	Kester	.....	52/653.1
7,870,703	B1 *	1/2011	Sorkin	.....	52/687
2010/0199585	A1	8/2010	Stevens et al.		

\* cited by examiner

Primary Examiner — Doris Clark

(74) *Attorney, Agent, or Firm* — Morris O'Bryant Compagni

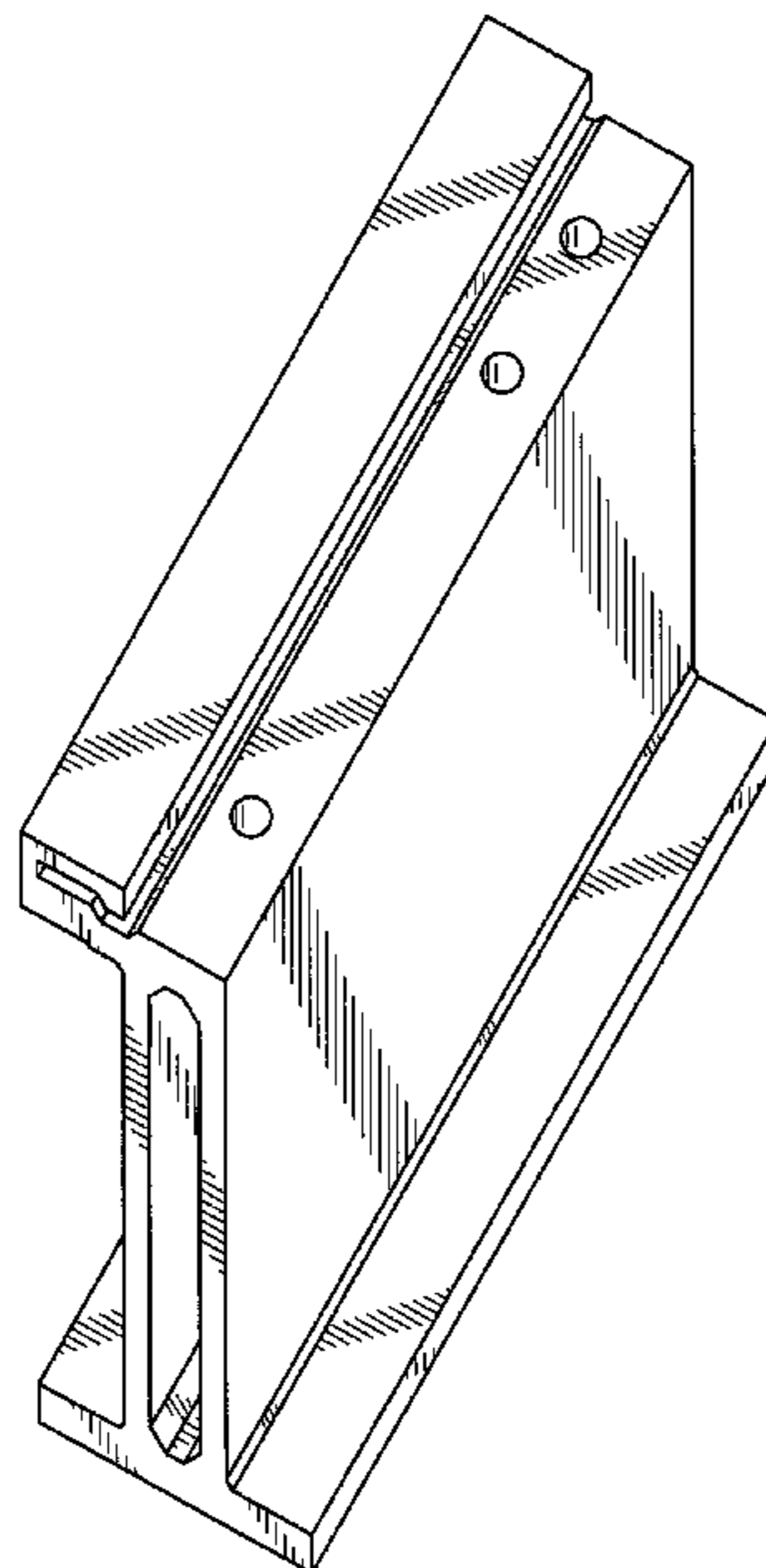
(57) **CLAIM**

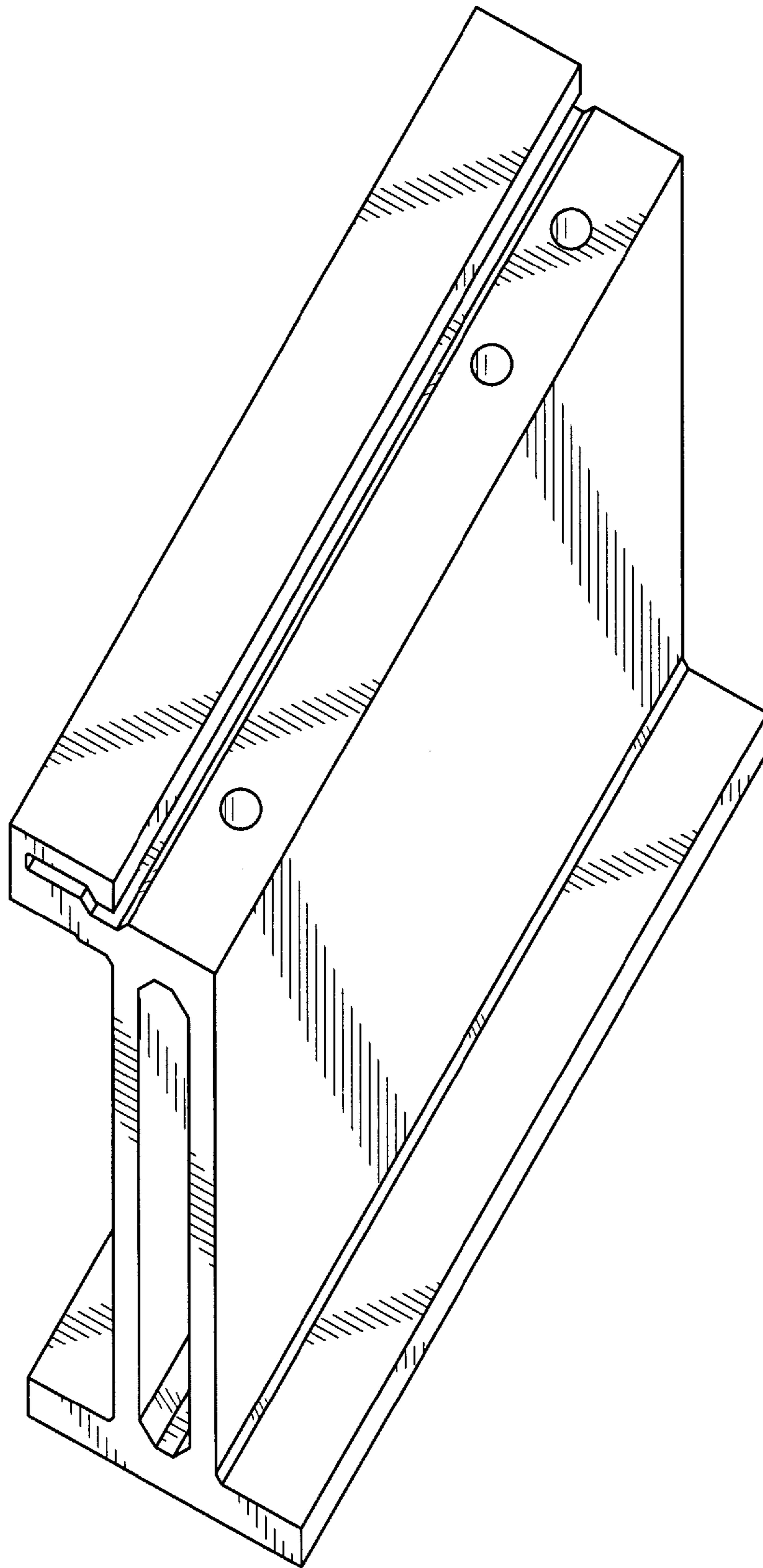
The ornamental design for the girt spacer, as shown and described.

**DESCRIPTION**

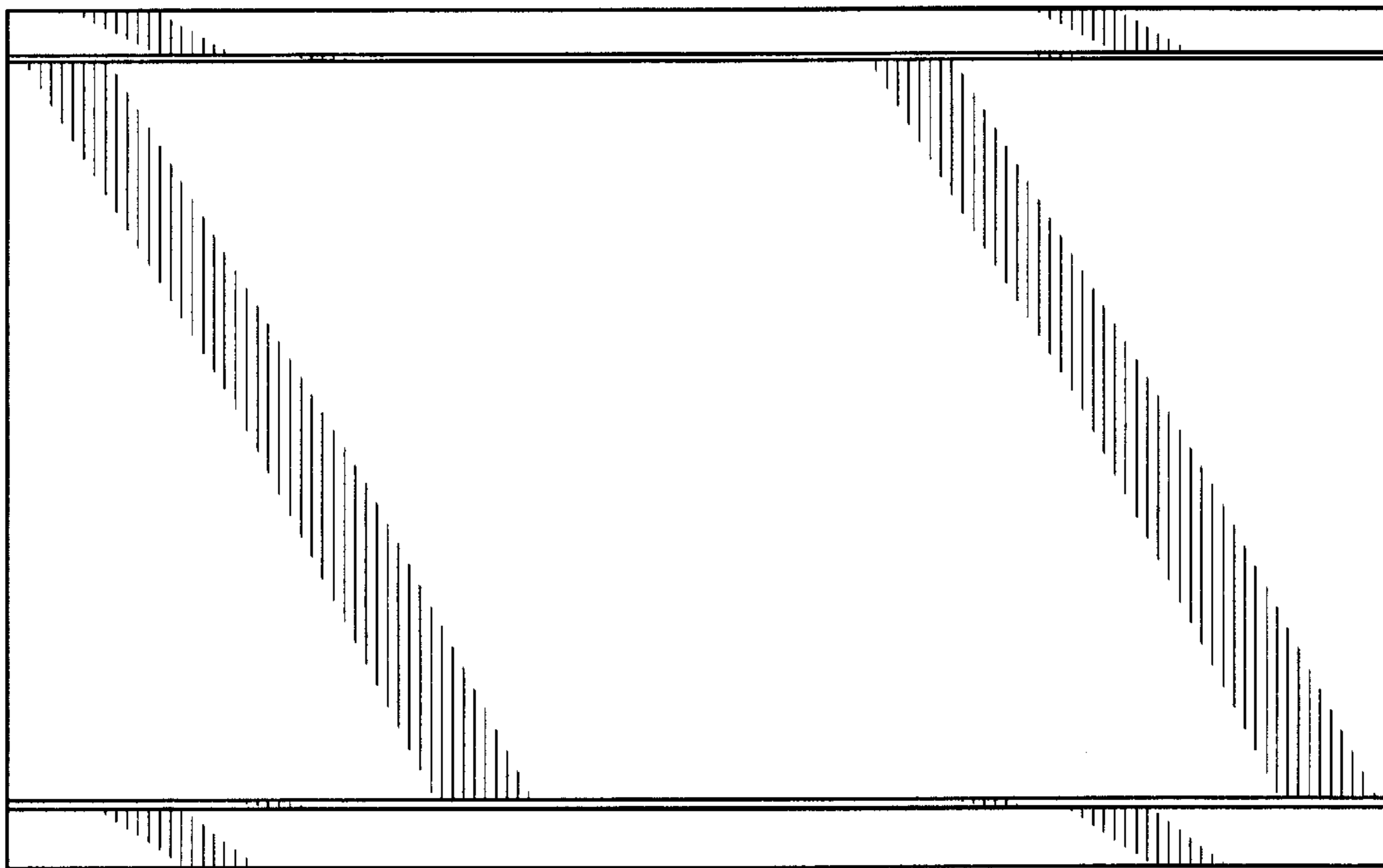
FIG. 1 is an isometric view of a first embodiment of a girt spacer in accordance with the present invention;  
 FIG. 2 is a front view in elevation of the girt spacer shown in FIG. 1, depicting the right side of the girt spacer as shown in FIG. 1;  
 FIG. 3 is a back view in elevation of the girt spacer shown in FIG. 1;  
 FIG. 4 is a top plan view of the girt spacer as shown in FIG. 1;  
 FIG. 5 is a bottom view of the girt spacer as shown in FIG. 1;  
 FIG. 6 is a left side view in elevation of the girt spacer as shown in FIG. 1;  
 FIG. 7 is a right side view in elevation of the girt spacer as shown in FIG. 1;  
 FIG. 8 is an isometric view of a second embodiment of a girt spacer in accordance with the present invention;  
 FIG. 9 is a front view in elevation of the girt spacer shown in FIG. 8, depicting the right side of the girt spacer as shown in FIG. 8;  
 FIG. 10 is a back view in elevation of the girt spacer shown in FIG. 8;  
 FIG. 11 is a top plan view of the girt spacer as shown in FIG. 8;  
 FIG. 12 is a bottom view of the girt spacer as shown in FIG. 8;  
 FIG. 13 is a left side view in elevation of the girt spacer as shown in FIG. 8; and,  
 FIG. 14 is a right side view in elevation of the girt spacer as shown in FIG. 8.

**1 Claim, 11 Drawing Sheets**

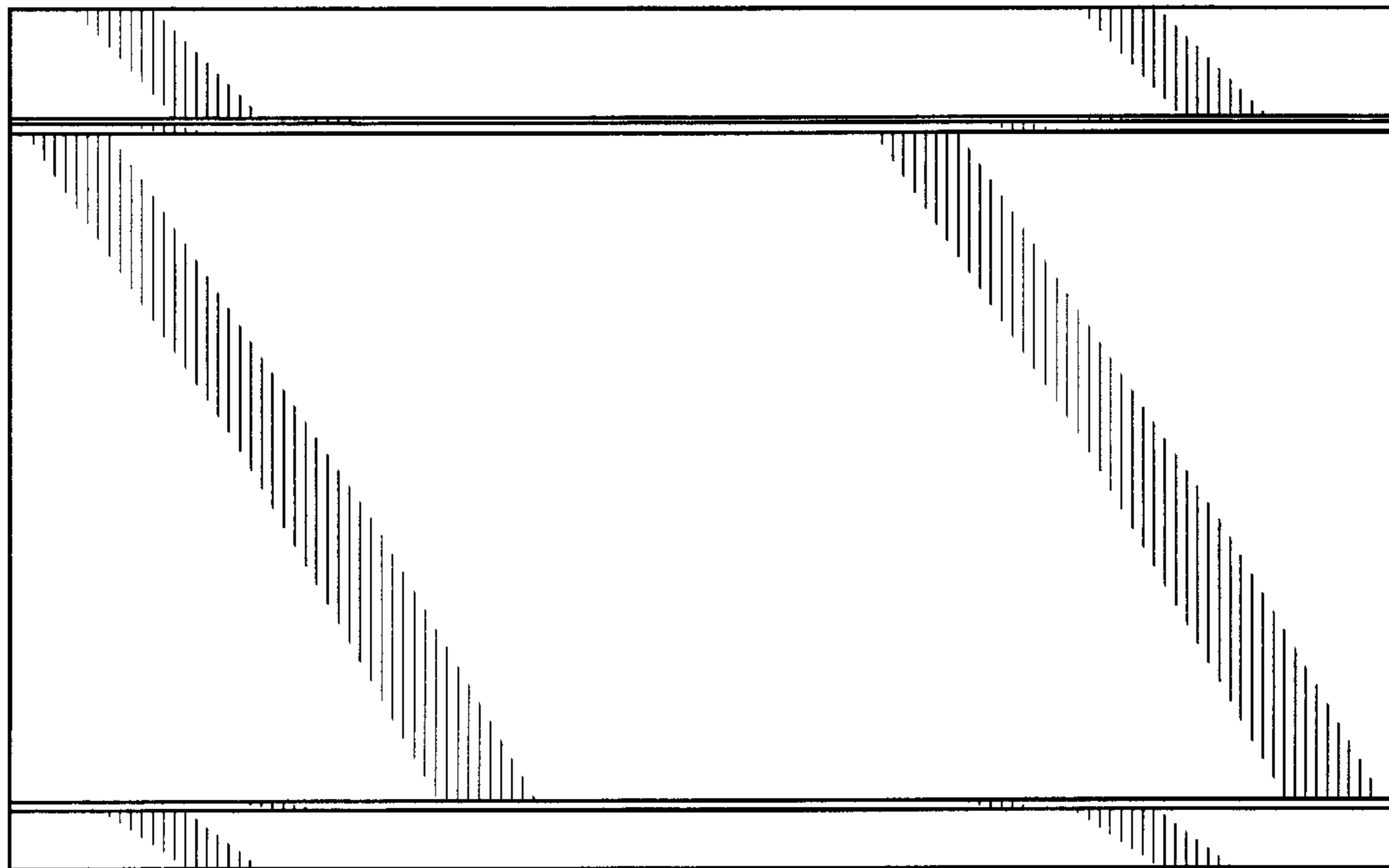




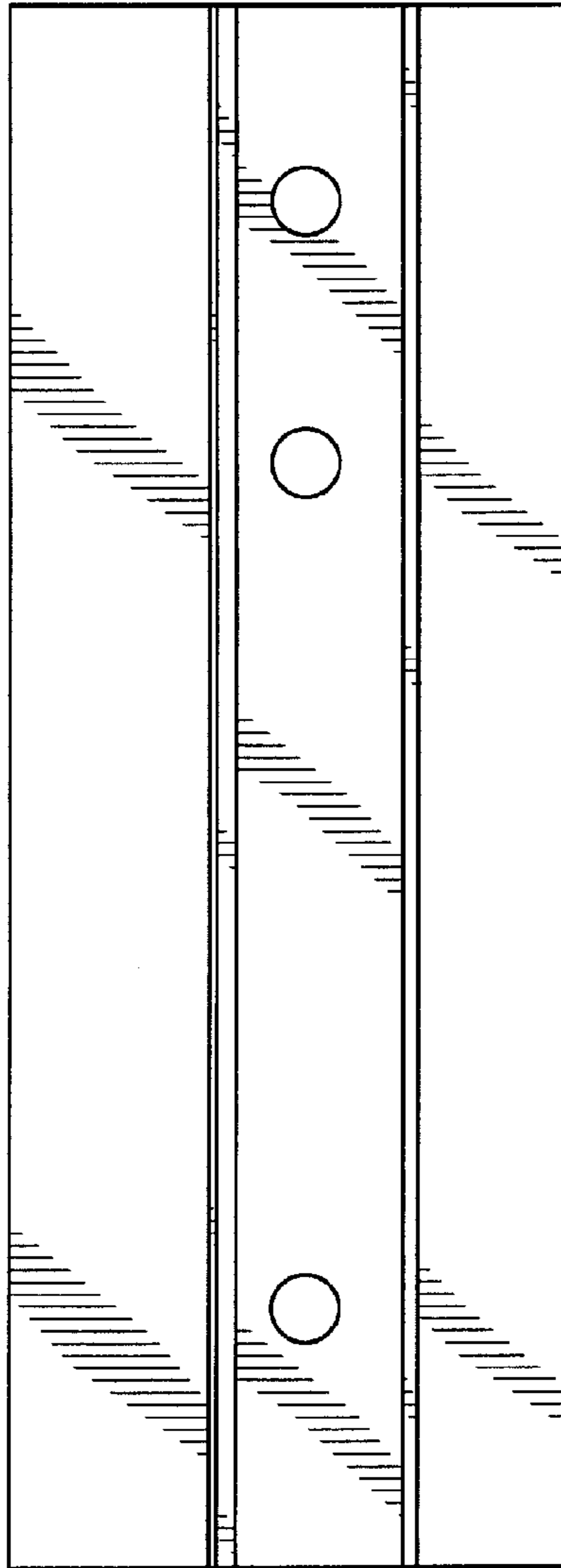
**FIG. 1**



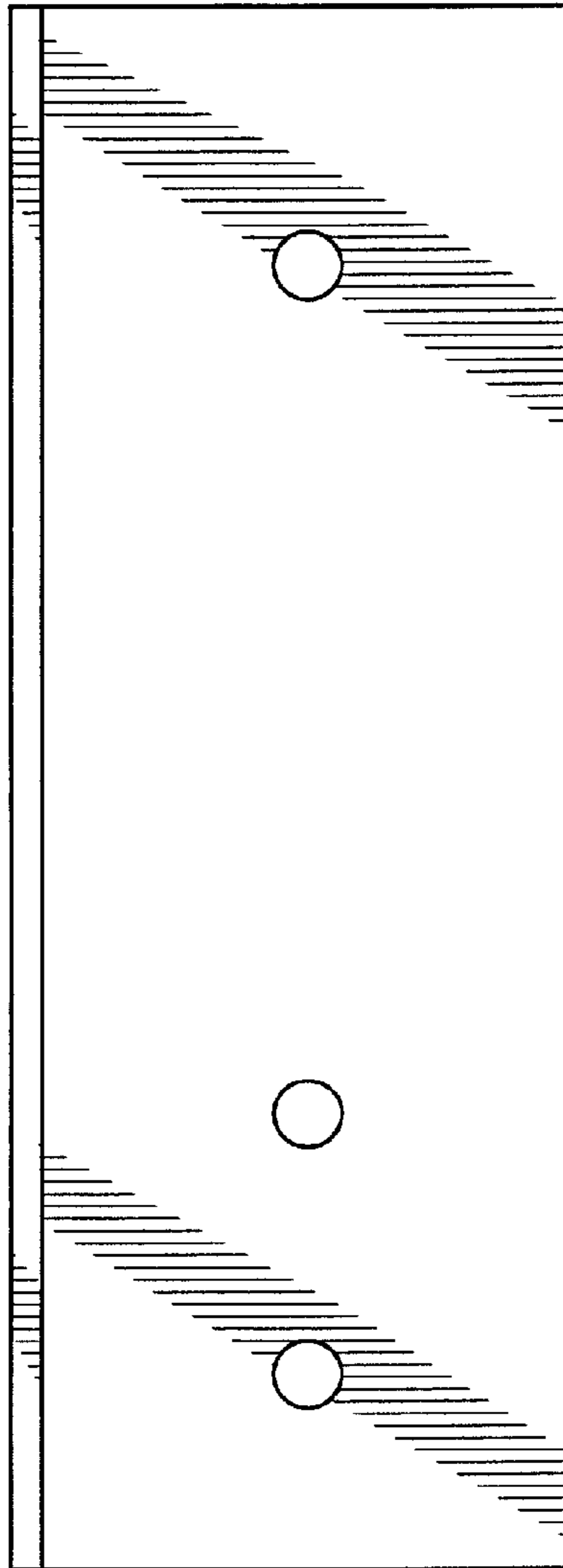
**FIG. 2**



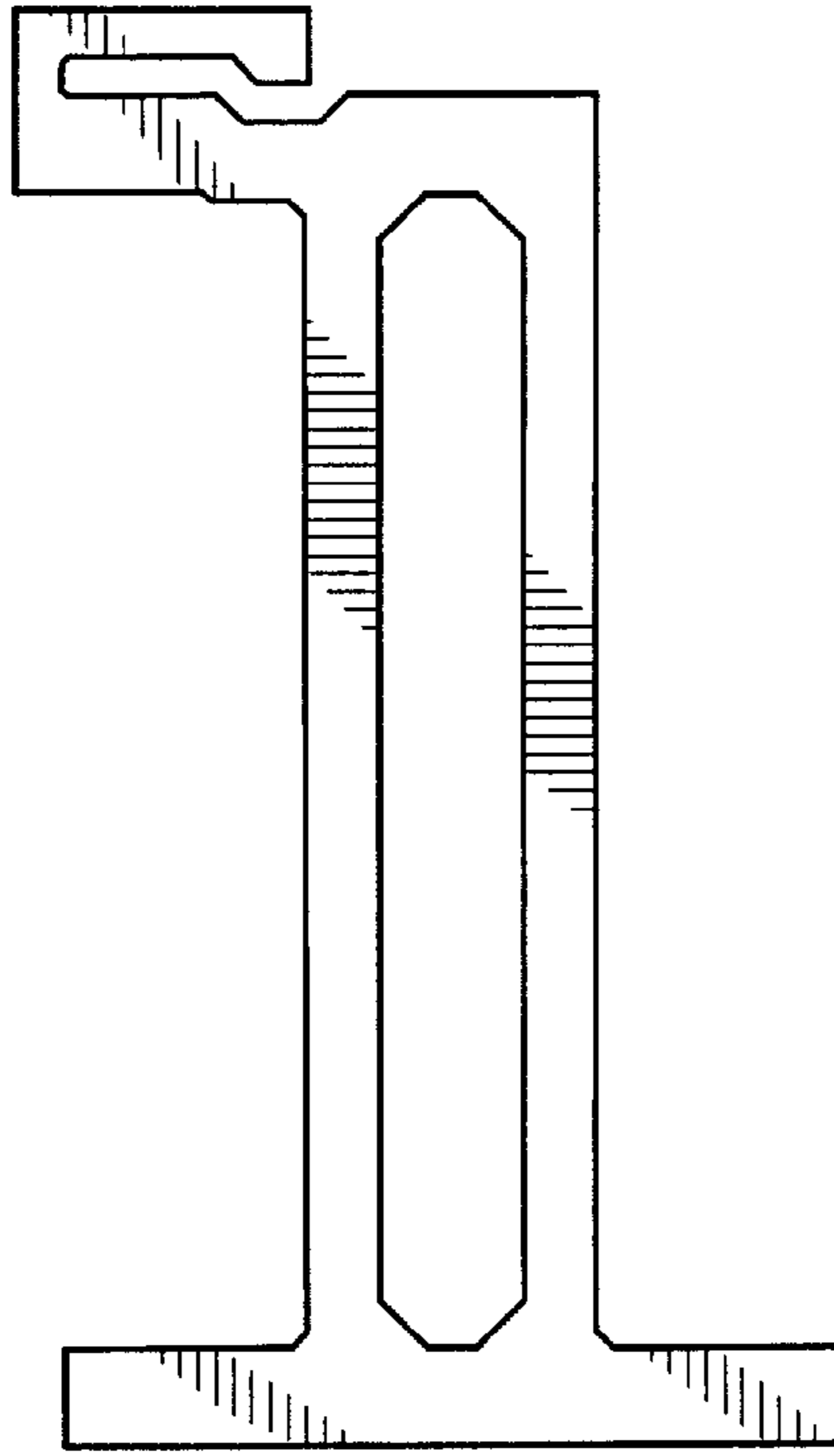
**FIG. 3**



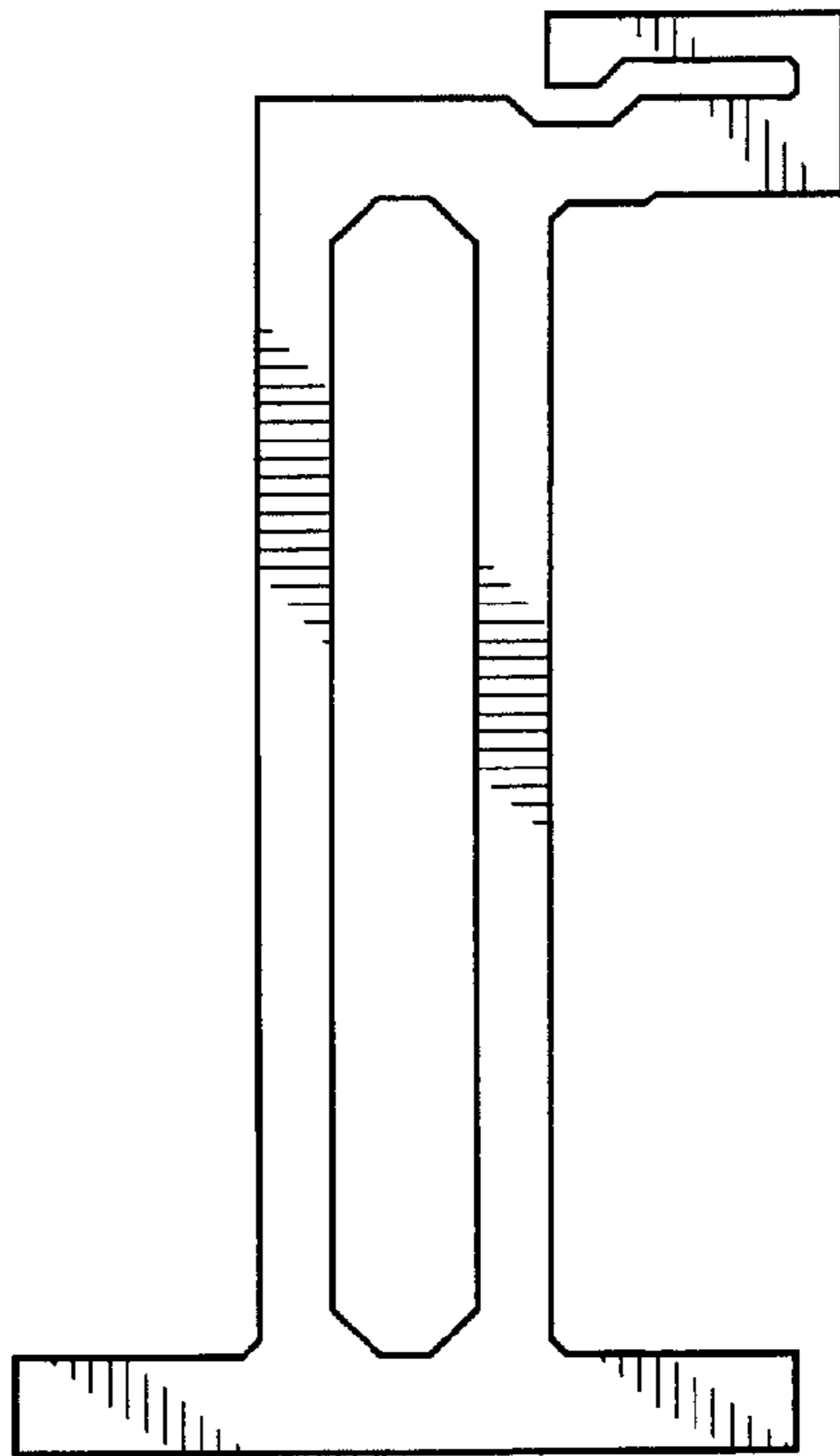
**FIG. 4**



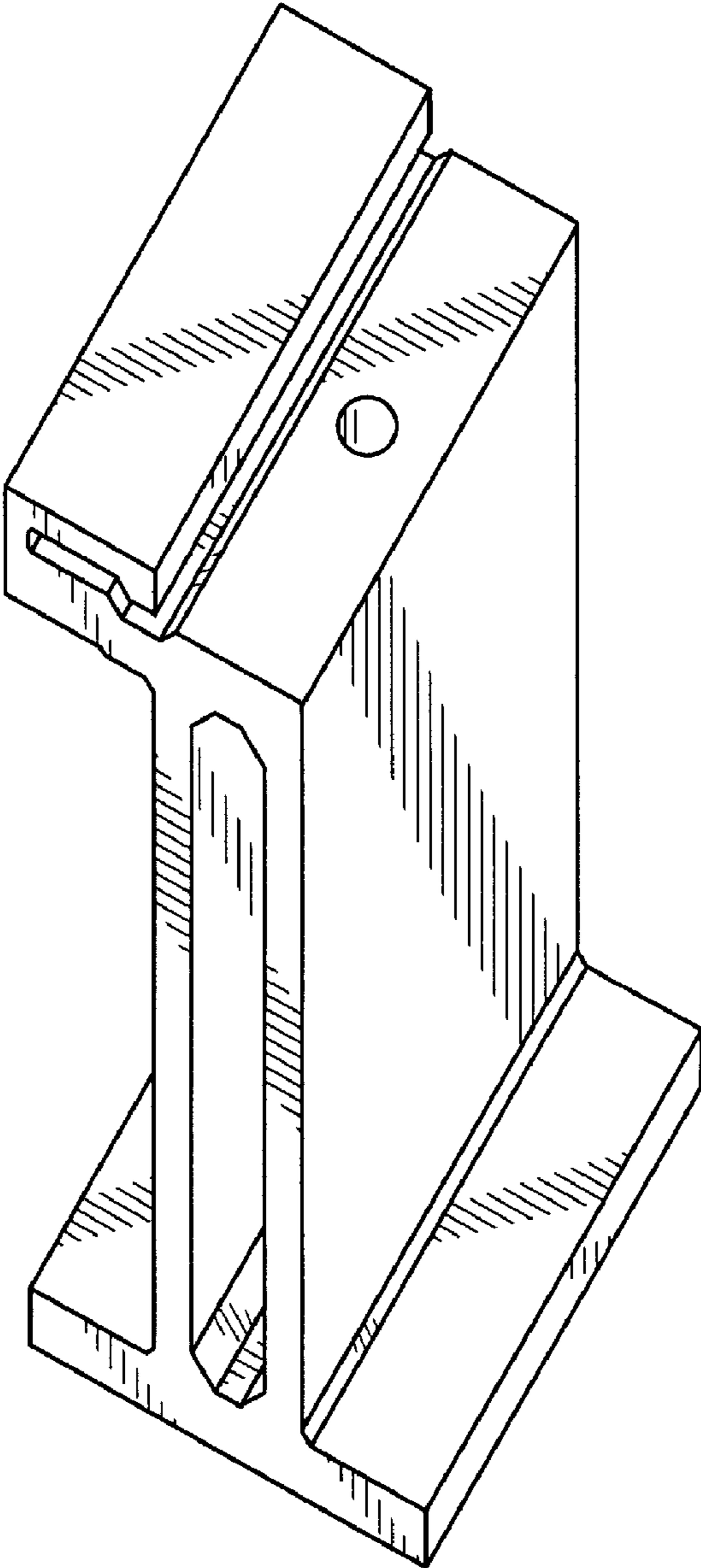
**FIG. 5**



**FIG. 6**

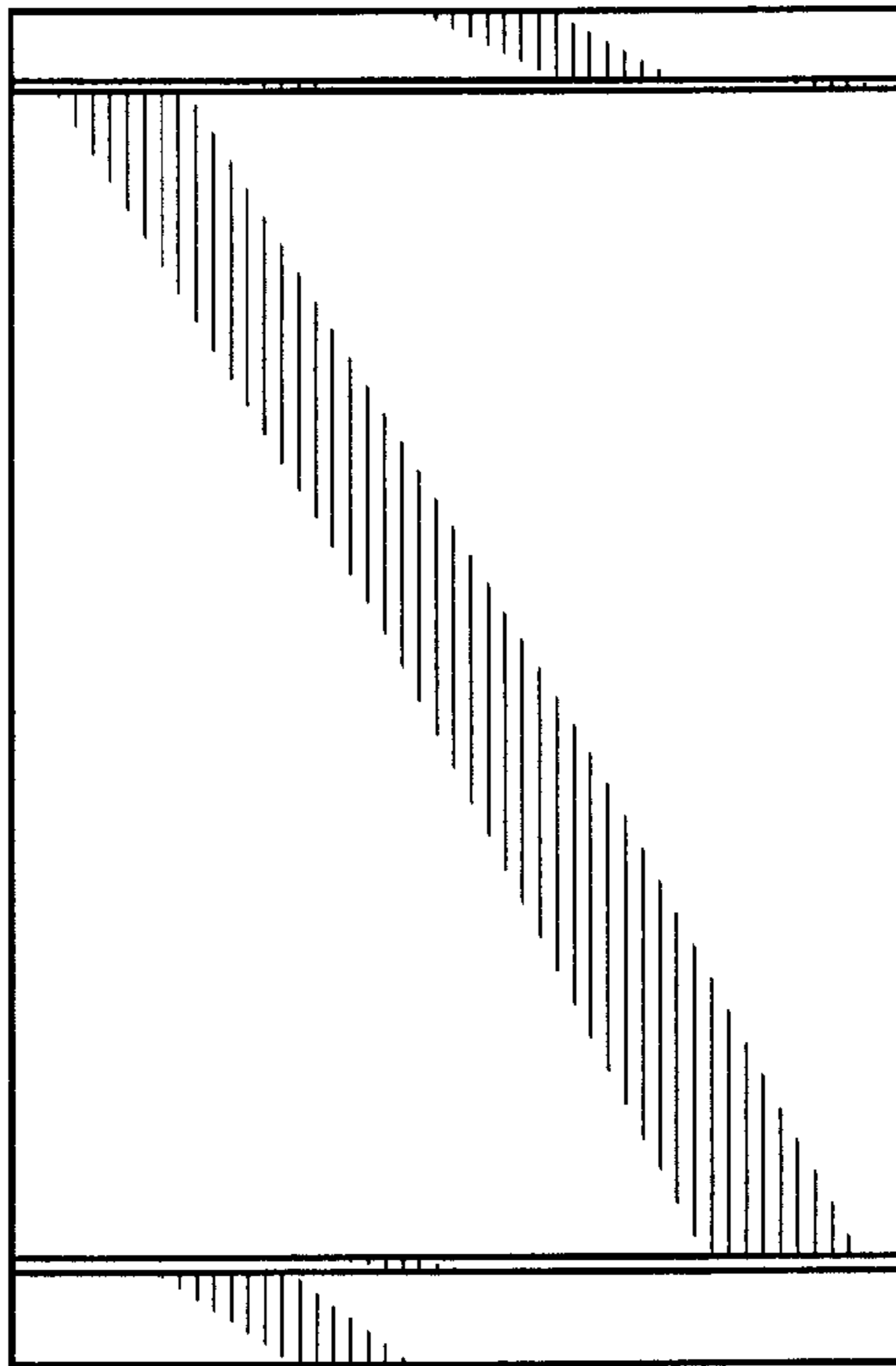


**FIG. 7**

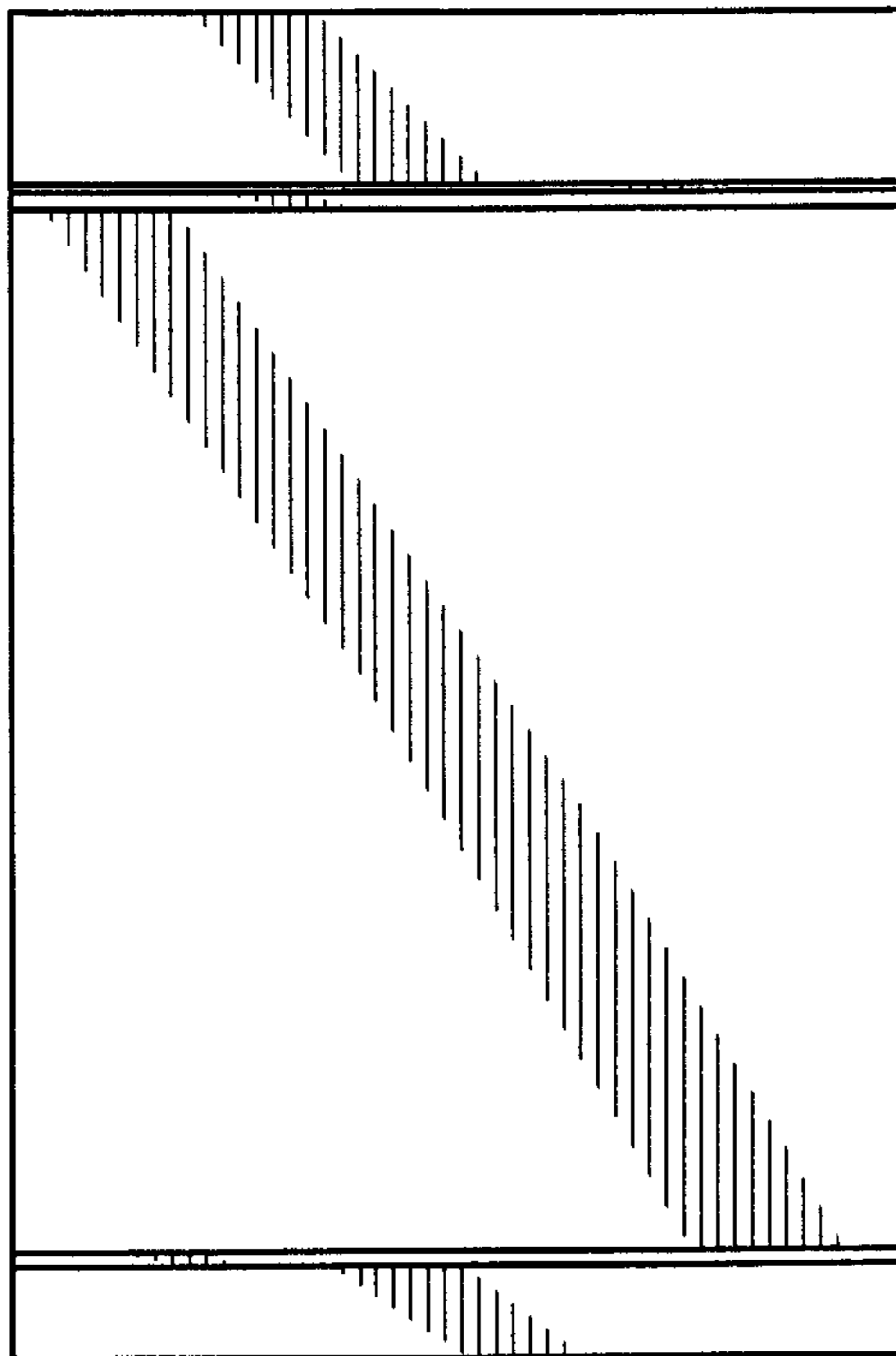


**FIG. 8**

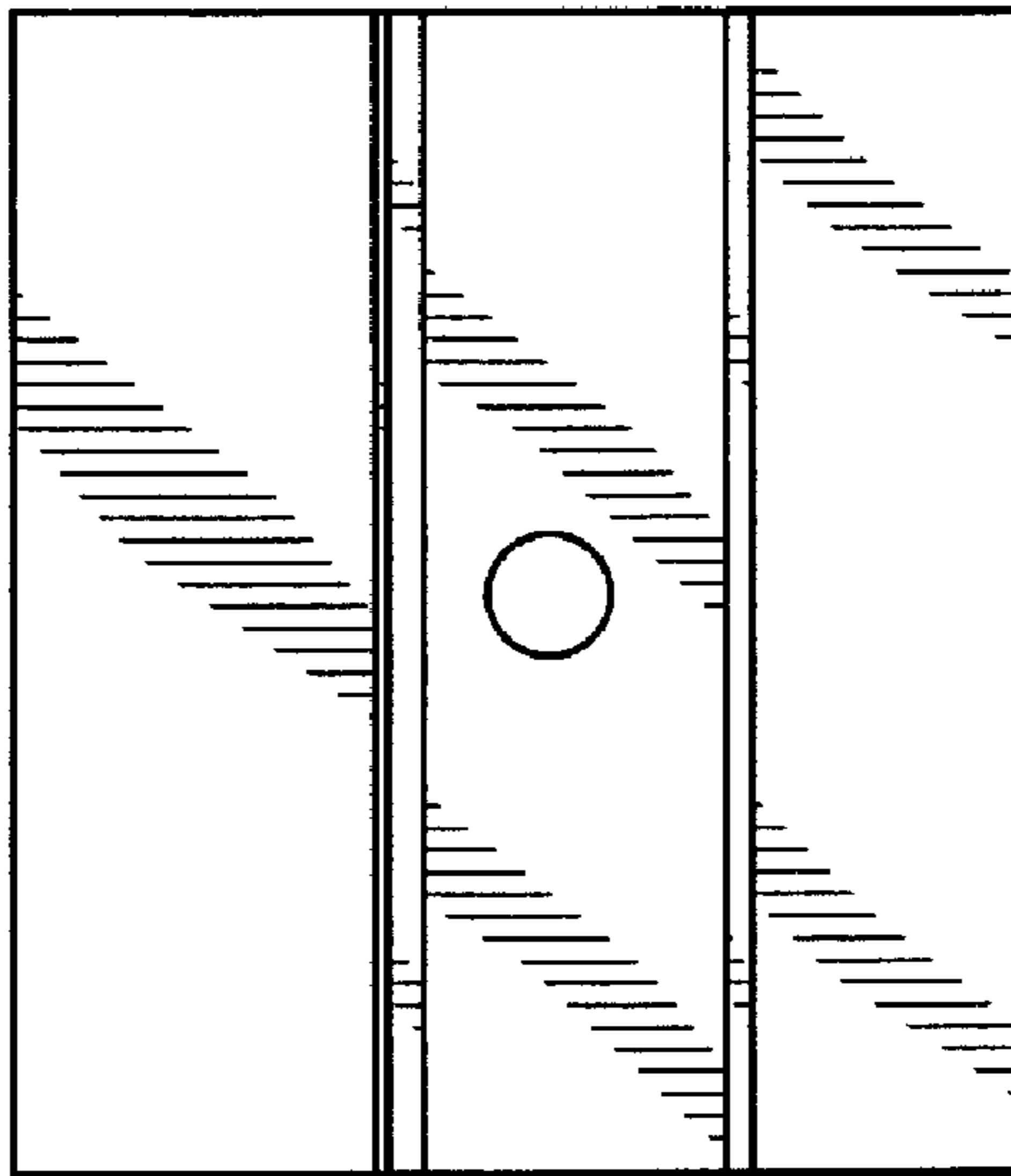




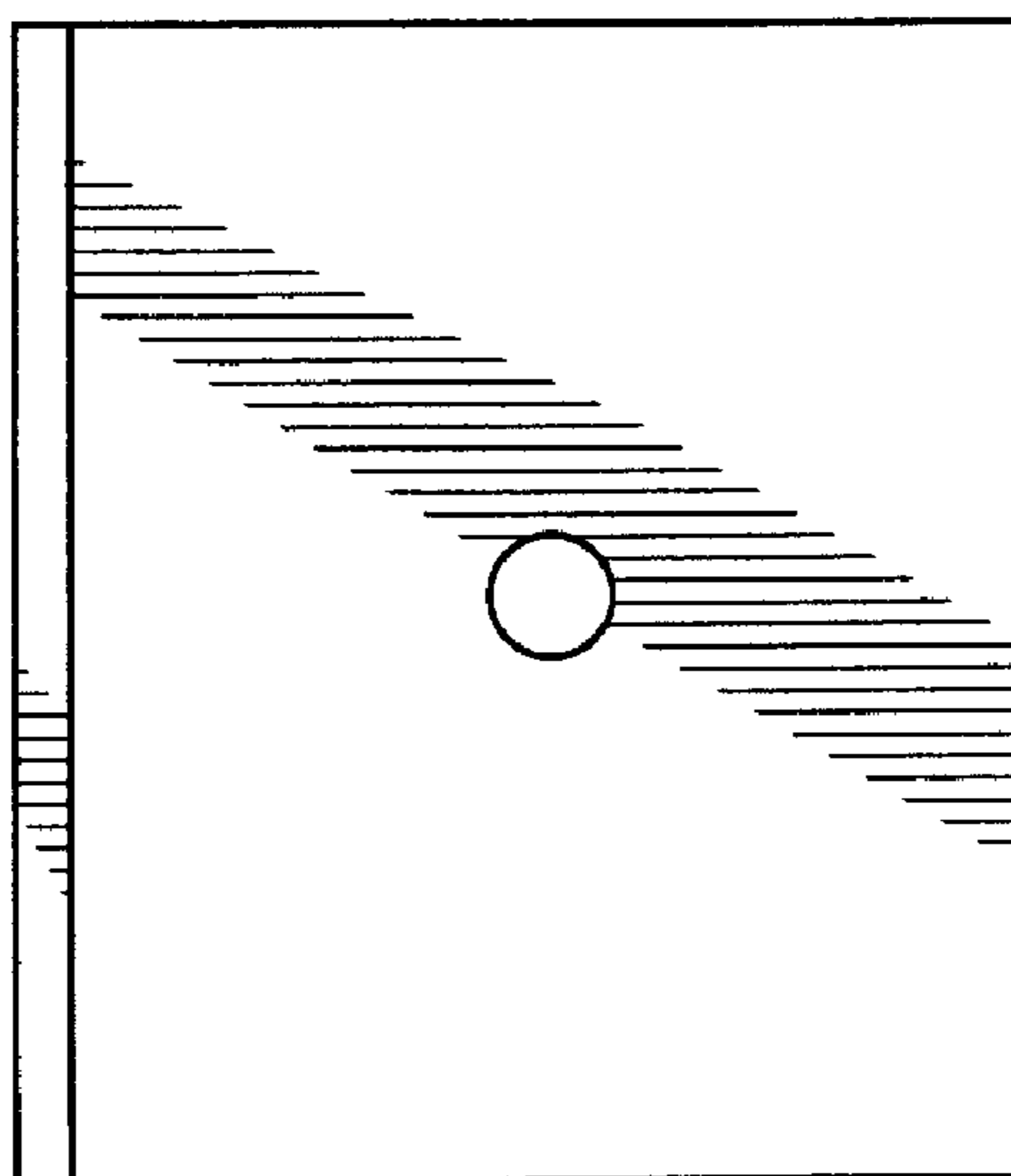
**FIG. 9**



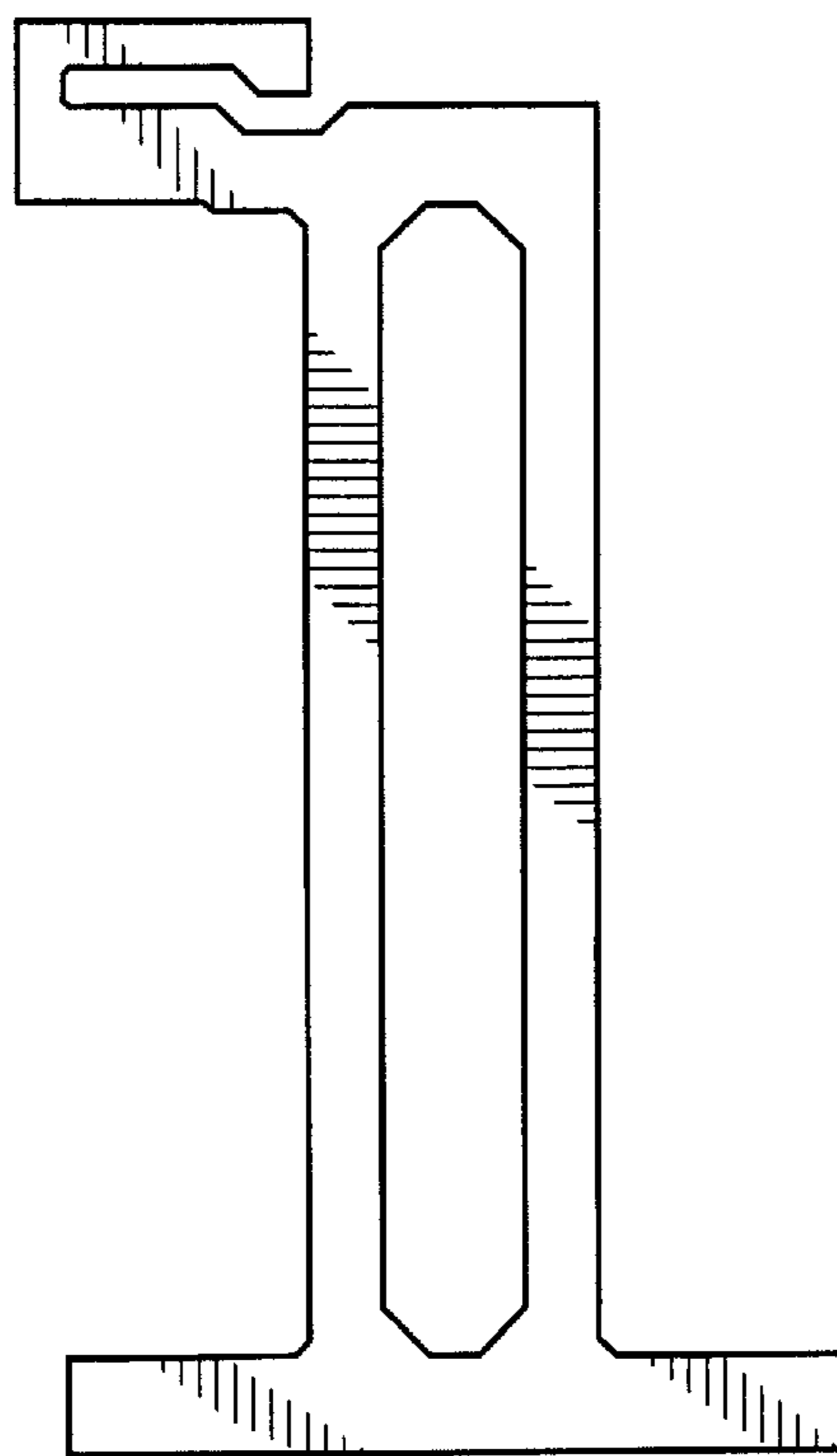
**FIG. 10**



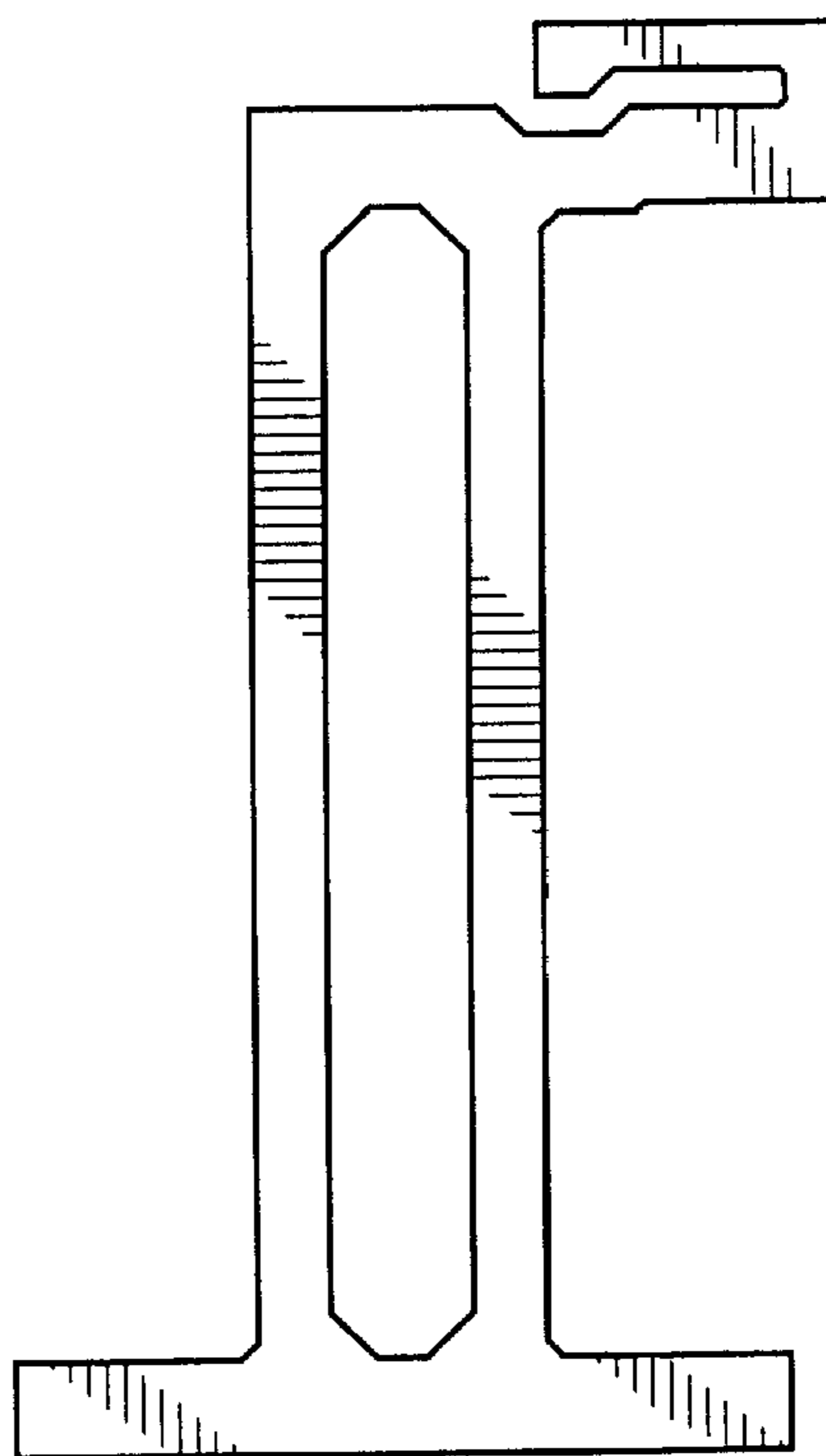
**FIG. 11**



**FIG. 12**



**FIG. 13**



**FIG. 14**