



US00D666893S

(12) **United States Design Patent**  
**Maclean**

(10) **Patent No.:** **US D666,893 S**

(45) **Date of Patent:** **\*\* \*Sep. 11, 2012**

(54) **WEBBING SYSTEM WITH SUPPORTS**

(76) Inventor: **Colin Maclean**, Parker, CO (US)

(\*) Notice: This patent is subject to a terminal disclaimer.

(\*\*) Term: **14 Years**

(21) Appl. No.: **29/388,520**

(22) Filed: **Mar. 30, 2011**

(51) **LOC (9) Cl.** ..... **08-05**

(52) **U.S. Cl.** ..... **D8/354**

(58) **Field of Classification Search** ..... D8/373,  
D8/356, 370; 248/499; 24/16 R, 16 PB,  
24/298, 300-302

See application file for complete search history.

(56) **References Cited**

U.S. PATENT DOCUMENTS

D237,356 S *	10/1975	Andrews	.....	D8/363
D248,730 S *	8/1978	Blann	.....	D8/363
D324,490 S *	3/1992	Ricketts	.....	D8/373
5,325,568 A *	7/1994	Bruhm	.....	24/301
D634,185 S *	3/2011	Klein et al.	.....	D8/376

\* cited by examiner

*Primary Examiner* — Holly Baynham

(74) *Attorney, Agent, or Firm* — Margaret Polson; Oppedahl Patent Law Firm LLC

(57) **CLAIM**

The ornamental design for a webbing system with supports, as shown and described.

**DESCRIPTION**

FIG. 1 is a bottom perspective view of a webbing system with supports with the evenly spaced broken lines representing stitching and forming part of the claimed design.

FIG. 2 is a front elevation view of FIG. 1.

FIG. 3 is a back elevation view of FIG. 1.

FIG. 4 is a top plan view of FIG. 1.

FIG. 5 is a bottom plan view of FIG. 1.

FIG. 6 is a right side plan view of FIG. 1.

FIG. 7 is a left side plan view of FIG. 1.

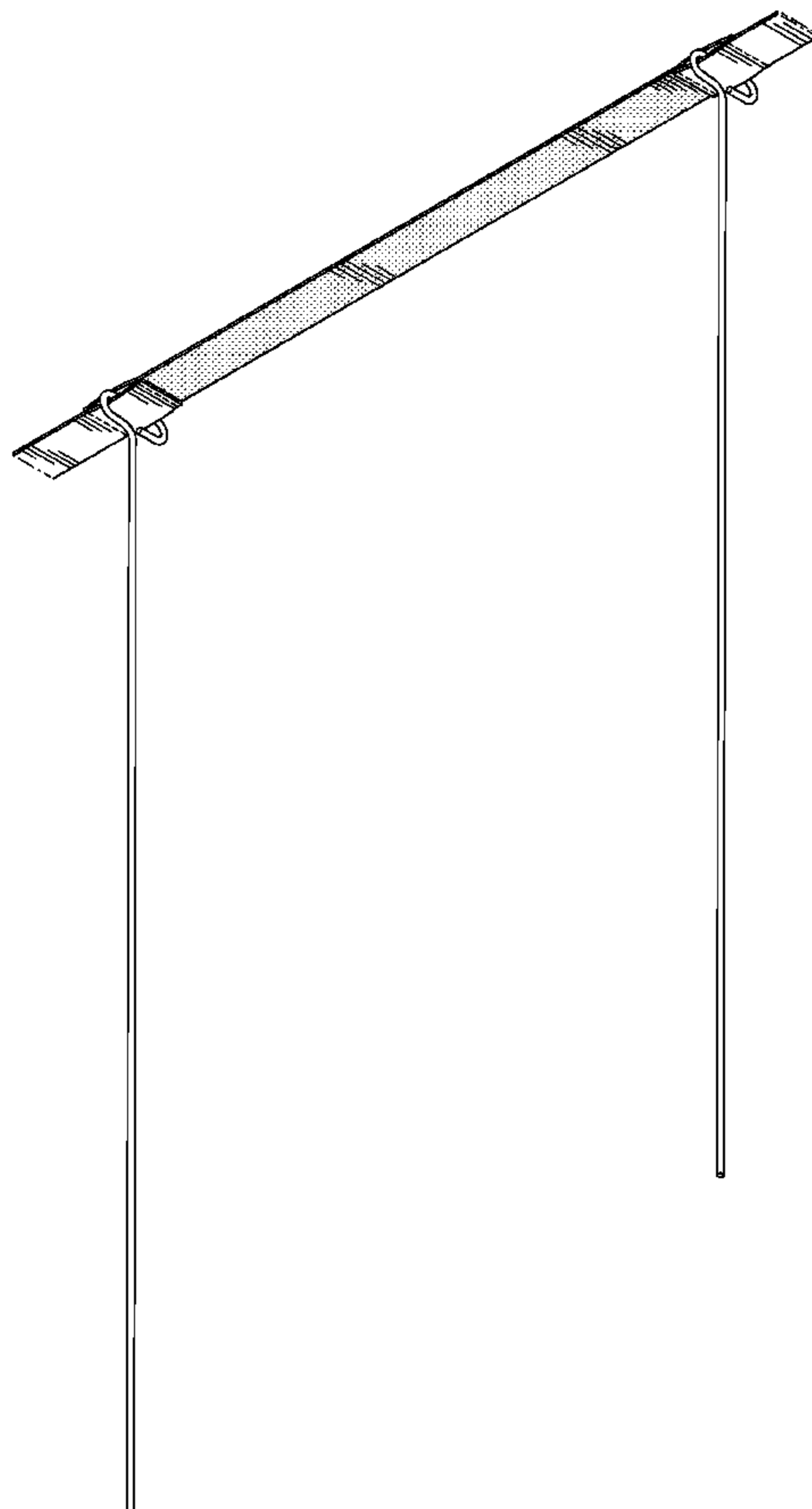
FIG. 8 is a detailed bottom perspective view of the webbing connected to the support, shown twice the size of FIG. 1 for clarity of illustration.

FIG. 9 is a front and back side elevation view thereof shown twice the size of FIG. 2 for clarity of illustration.

FIG. 10 top plan view thereof shown twice the size of FIG. 4 for clarity of illustration; and,

FIG. 11 is a right side elevation view thereof shown twice the size of FIG. 6 for clarity of illustration.

**1 Claim, 4 Drawing Sheets**



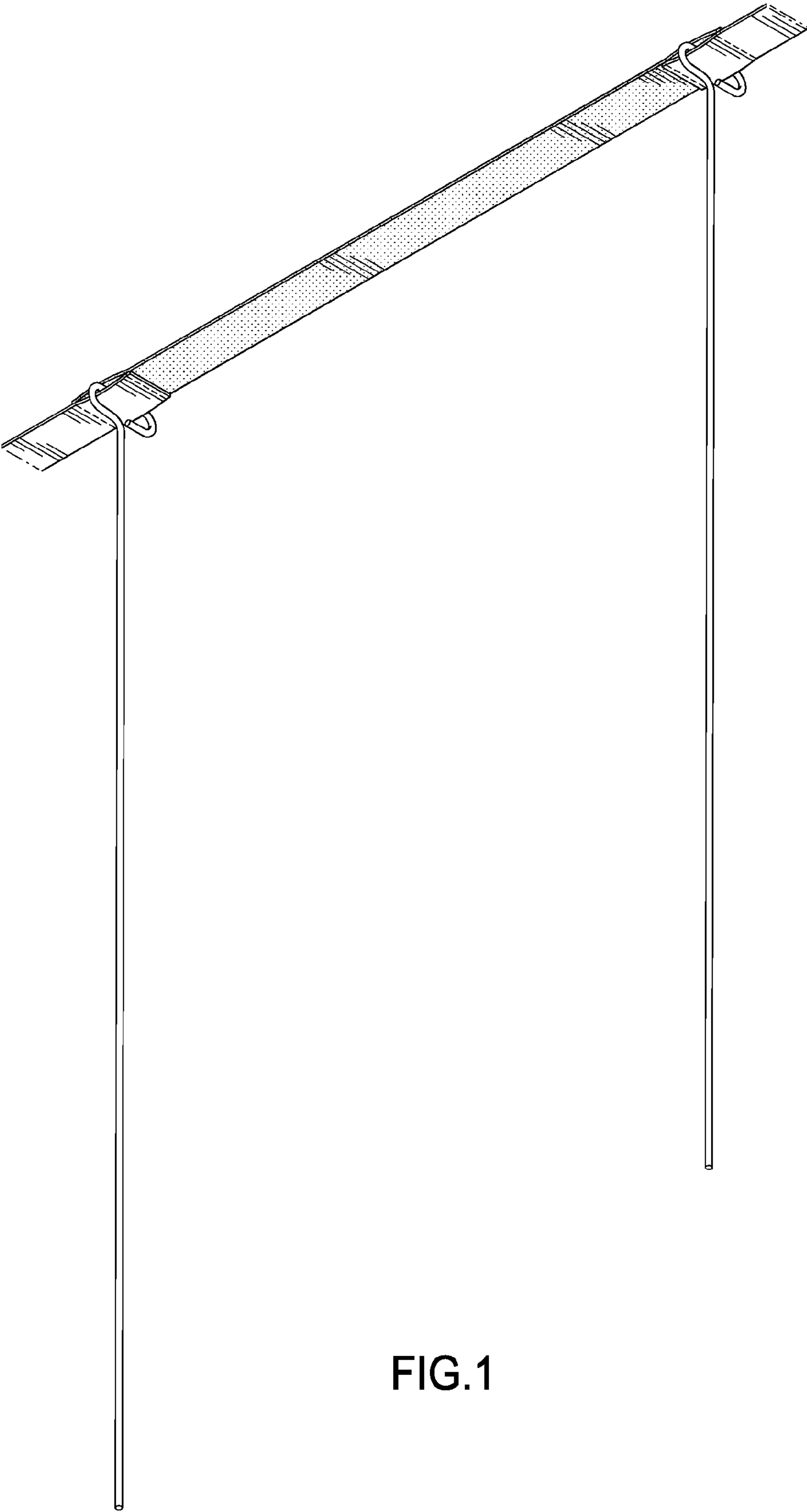


FIG.1

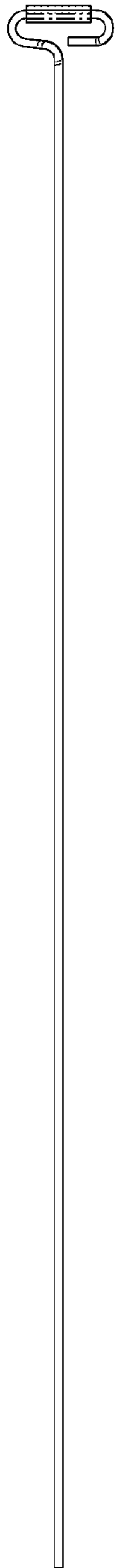


FIG. 2

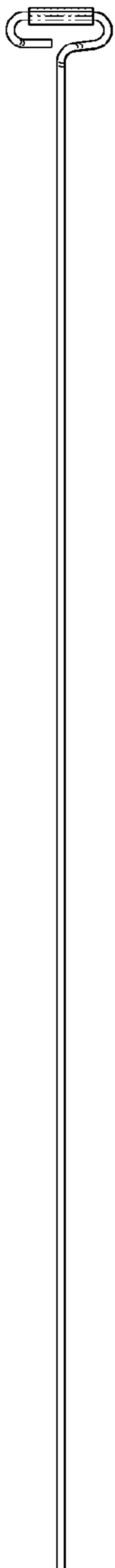


FIG. 3

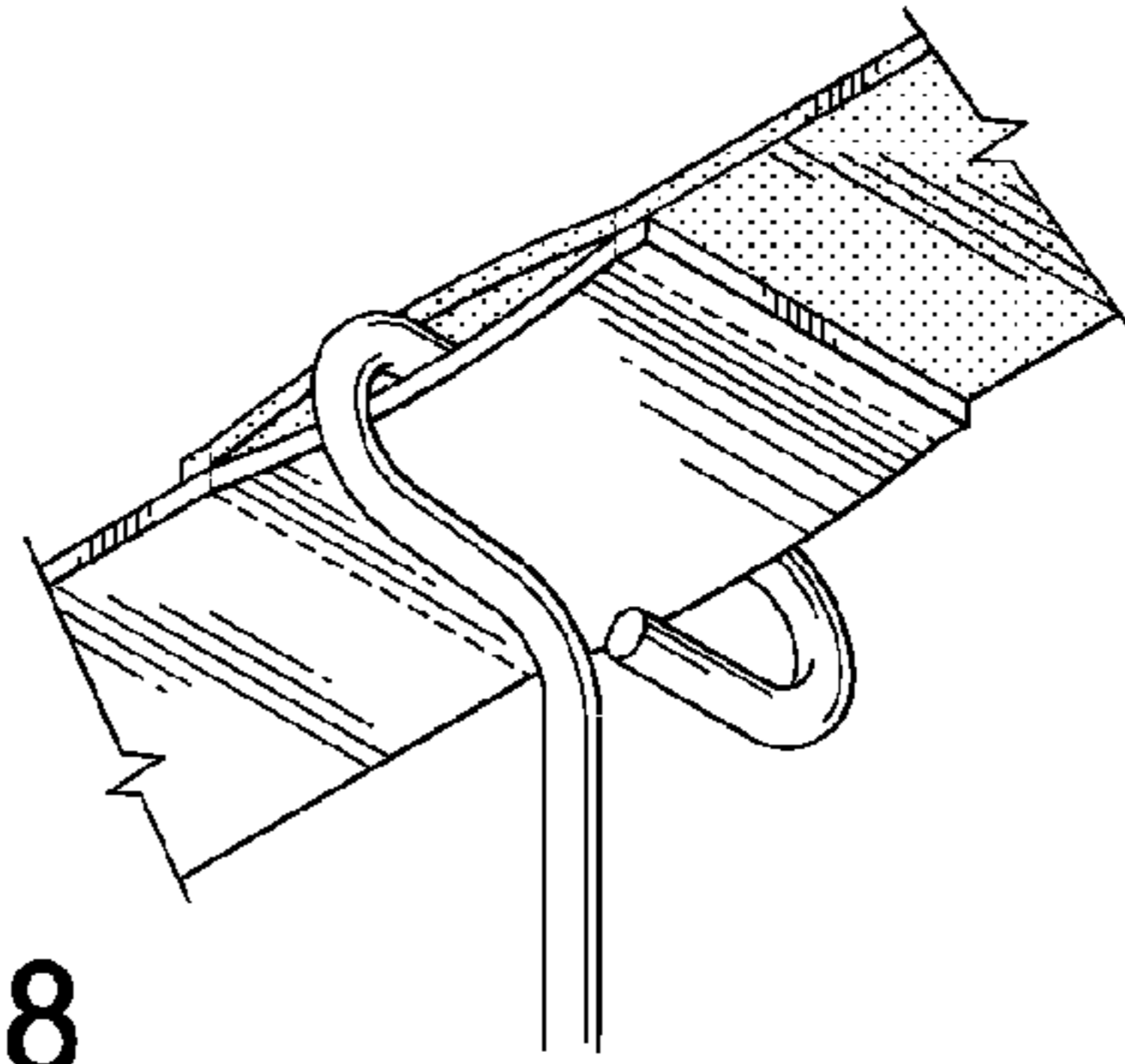


FIG. 8

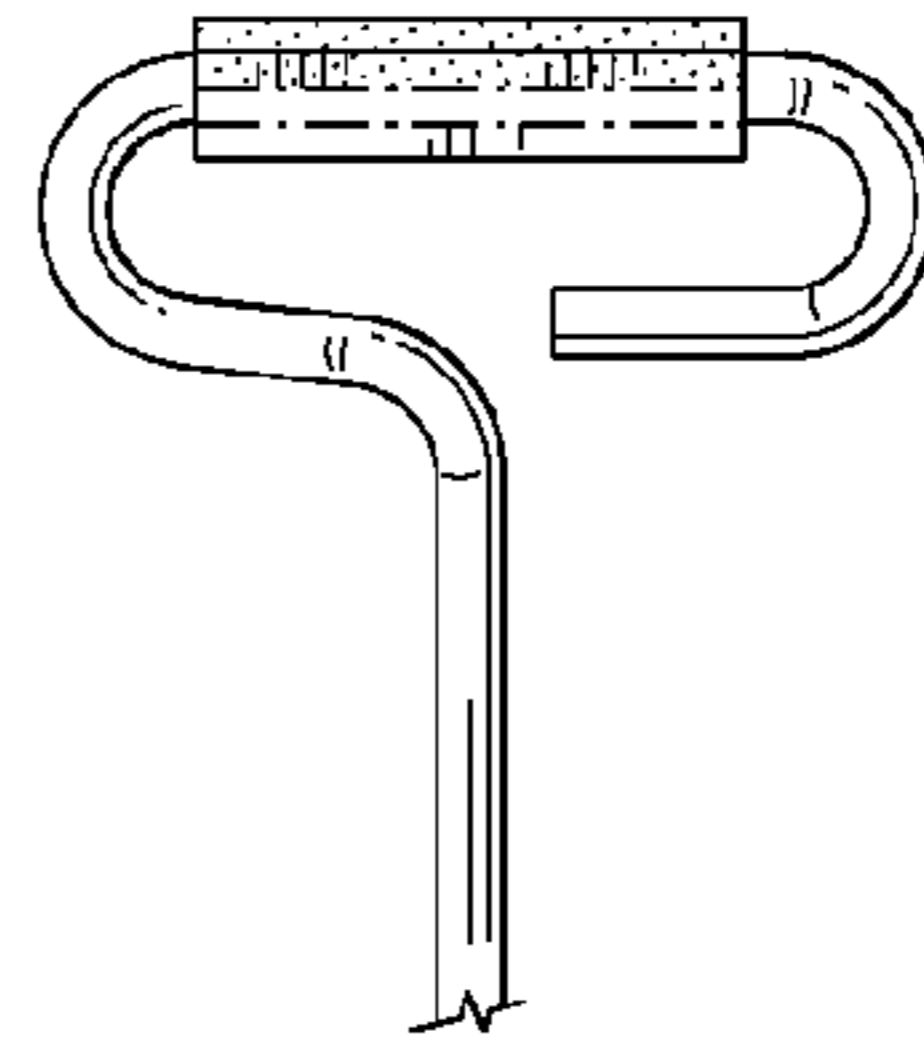


FIG. 9

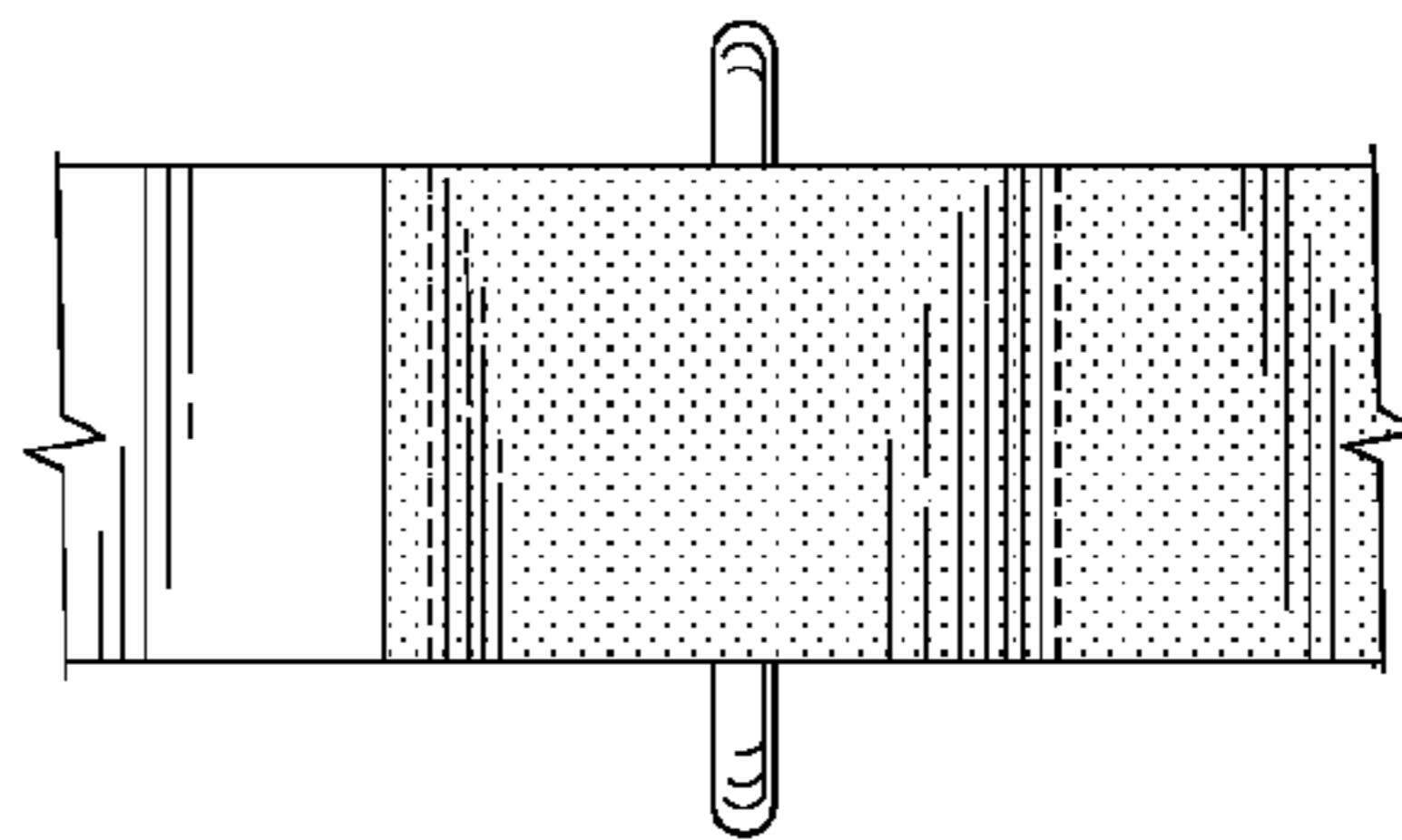


FIG. 10

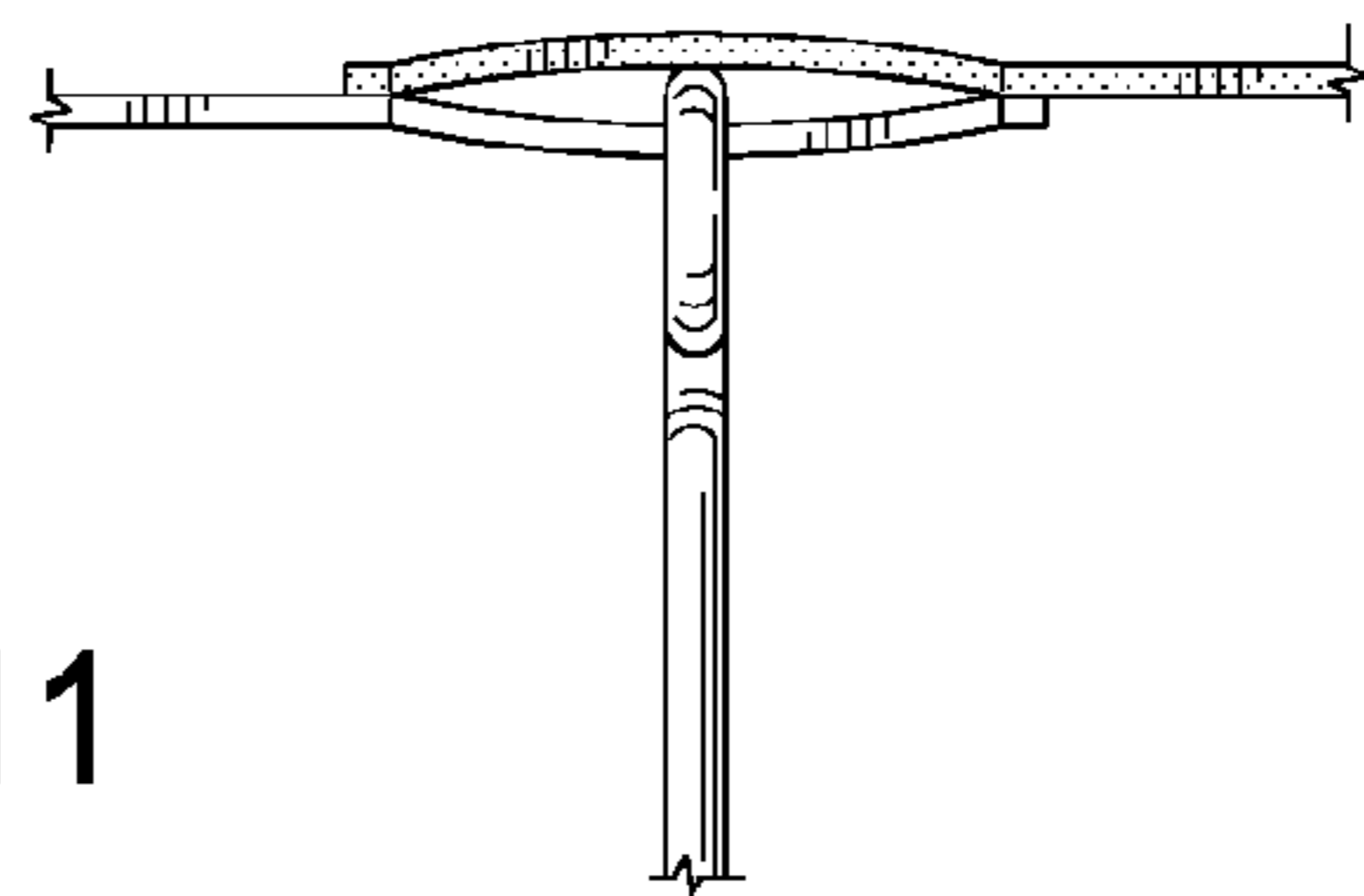


FIG. 11

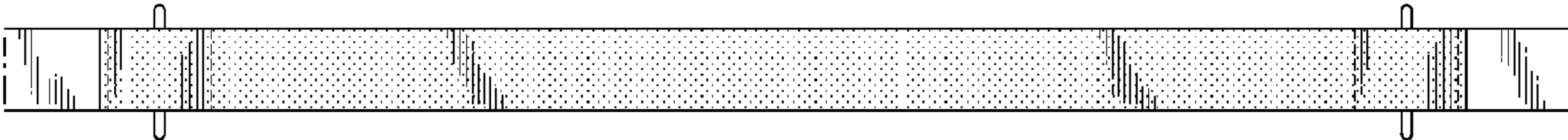


FIG. 4

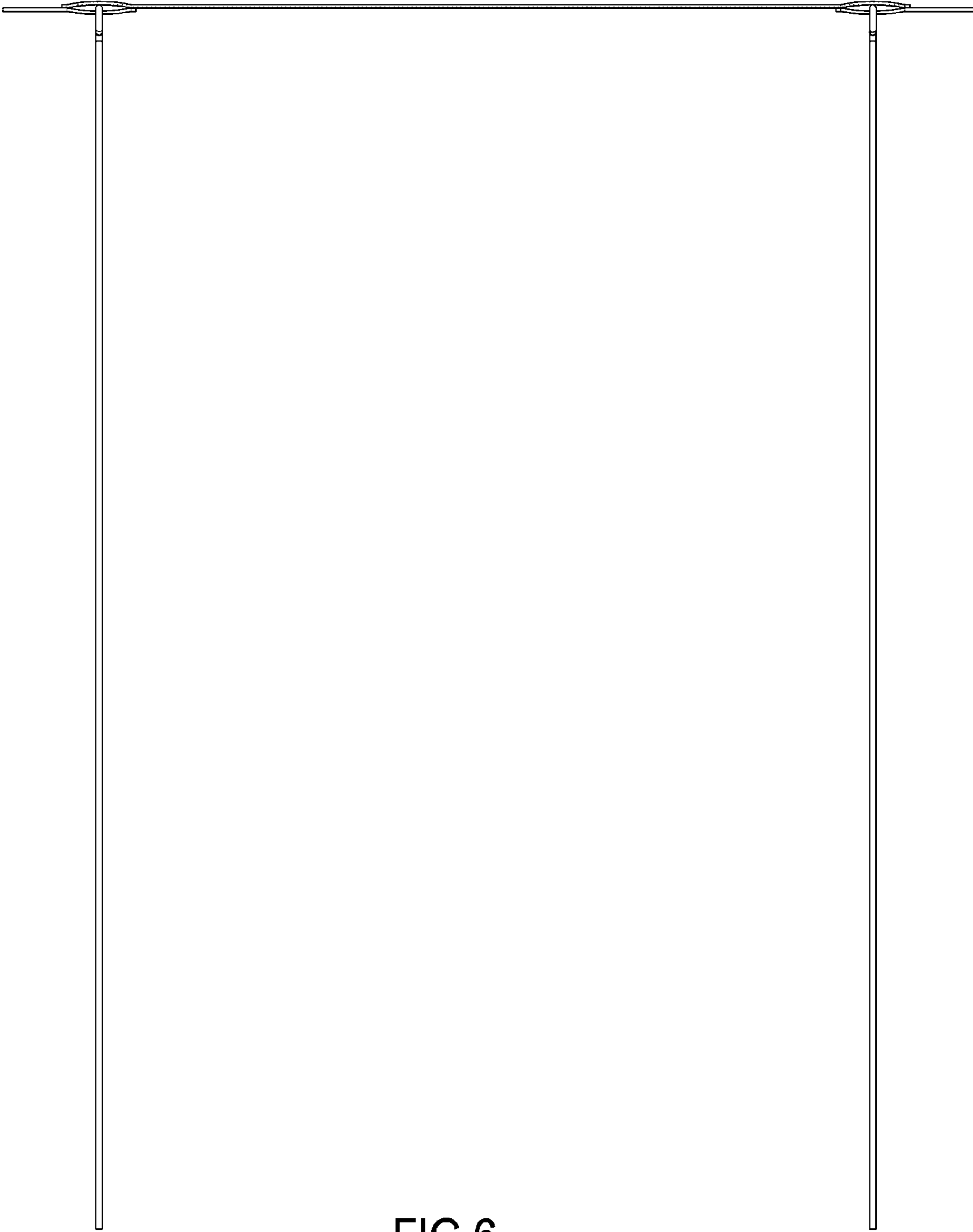


FIG. 6

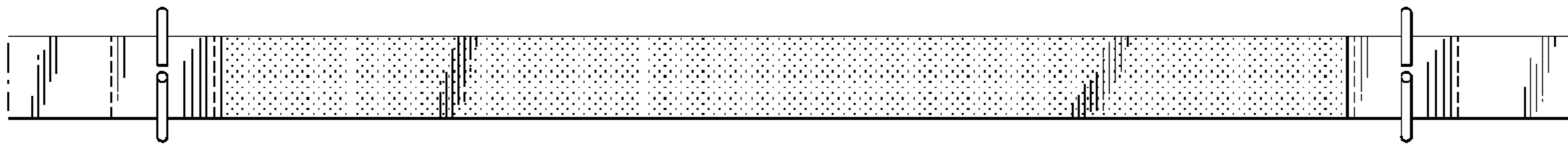


FIG. 5

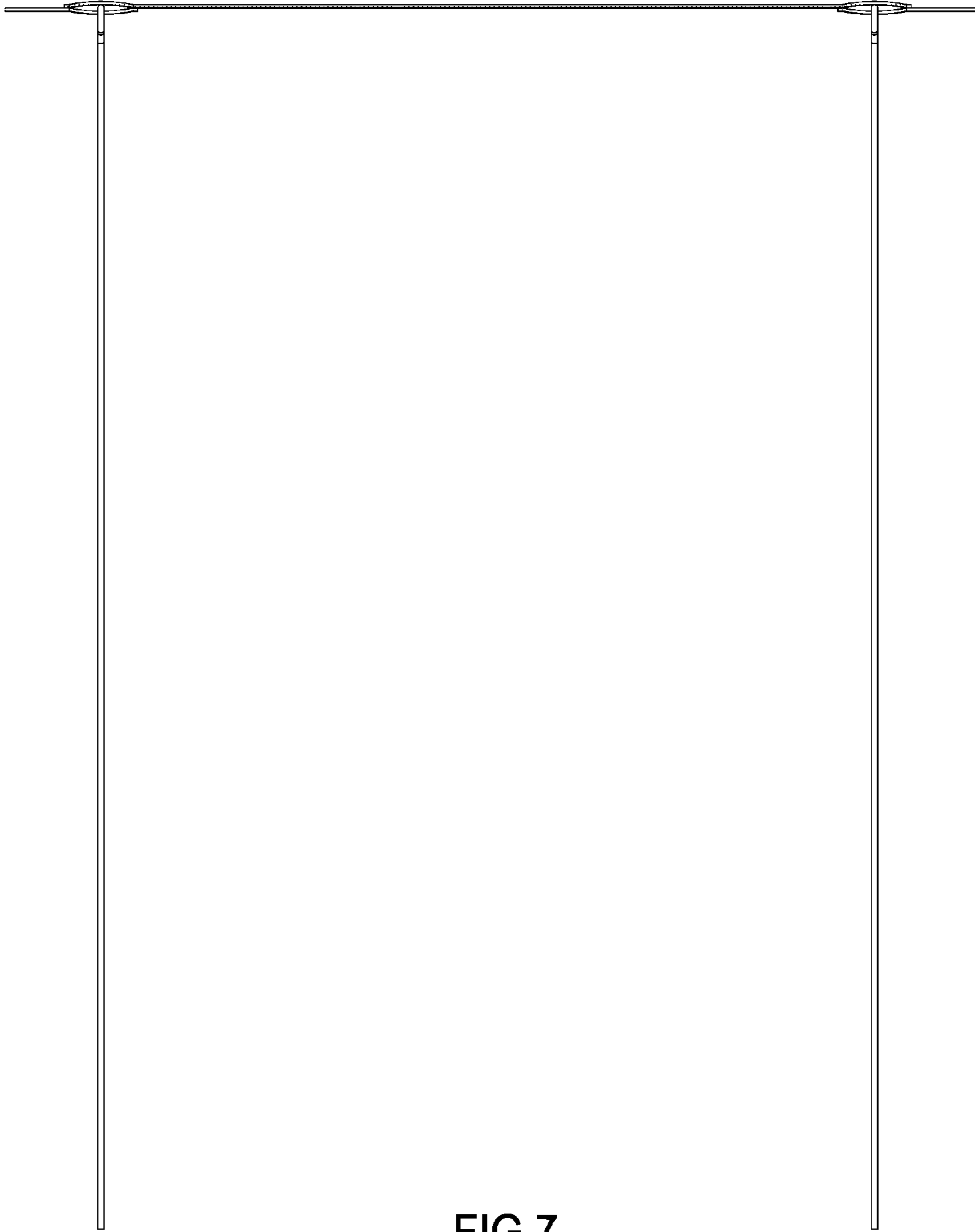


FIG. 7