

US00D666892S

(12) **United States Design Patent**
Marrero

(10) **Patent No.:** **US D666,892 S**
(45) **Date of Patent:** **** Sep. 11, 2012**

(54) **SWITCH PLATE WITH ADAPTER ASSEMBLY**

(76) Inventor: **Alex Marrero**, Woodbridge (CA)

(**) Term: **14 Years**

(21) Appl. No.: **29/381,605**

(22) Filed: **Dec. 21, 2010**

(51) **LOC (9) Cl.** **11-05**

(52) **U.S. Cl.** **D8/353**

(58) **Field of Classification Search** D8/350-353;
D13/139.1-139.8, 146, 147, 152, 154, 156,
D13/158, 169, 171, 173, 177, 184; D14/159;
D25/60; 174/55, 58, 66, 67, 535; 220/241,
220/3.92, 3.5-3.9, 242, 3.2, 3.3, 244, 315;
439/535, 536, 892, 367, 373, 537, 541, 938;
200/303; 248/273; 292/357

See application file for complete search history.

(56) **References Cited**

U.S. PATENT DOCUMENTS

D327,212	S *	6/1992	Hubben et al.	D8/353
5,895,888	A *	4/1999	Arenas et al.	174/66
D484,392	S *	12/2003	Mayo et al.	D8/353
D493,695	S *	8/2004	Wengrower	D8/353
6,943,297	B2 *	9/2005	Capella	174/66
6,974,910	B2 *	12/2005	Rohmer	174/66

7,071,414	B2 *	7/2006	Kim	174/66
7,250,580	B2 *	7/2007	Kurek et al.	200/339
D550,076	S *	9/2007	Ni	D8/353
D583,220	S *	12/2008	Ni	D8/353
7,947,903	B2 *	5/2011	Peck	174/66
D639,637	S *	6/2011	Marrero	D8/353
D642,894	S *	8/2011	Soper et al.	D8/353
D644,914	S *	9/2011	Hoffman et al.	D8/353

* cited by examiner

Primary Examiner — Mark Goodwin

(74) *Attorney, Agent, or Firm* — Young Basile Hanlon & MacFarlane PC

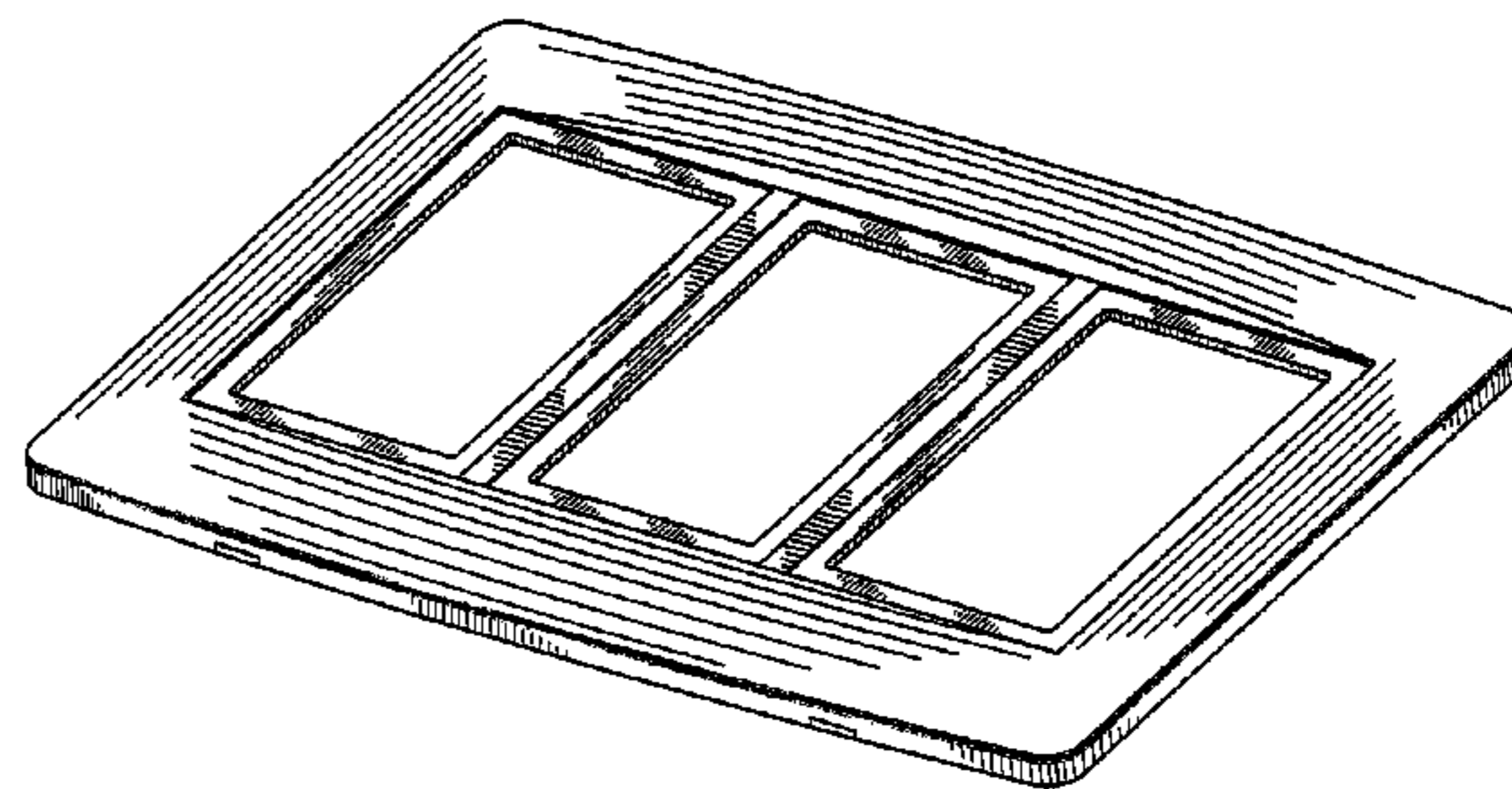
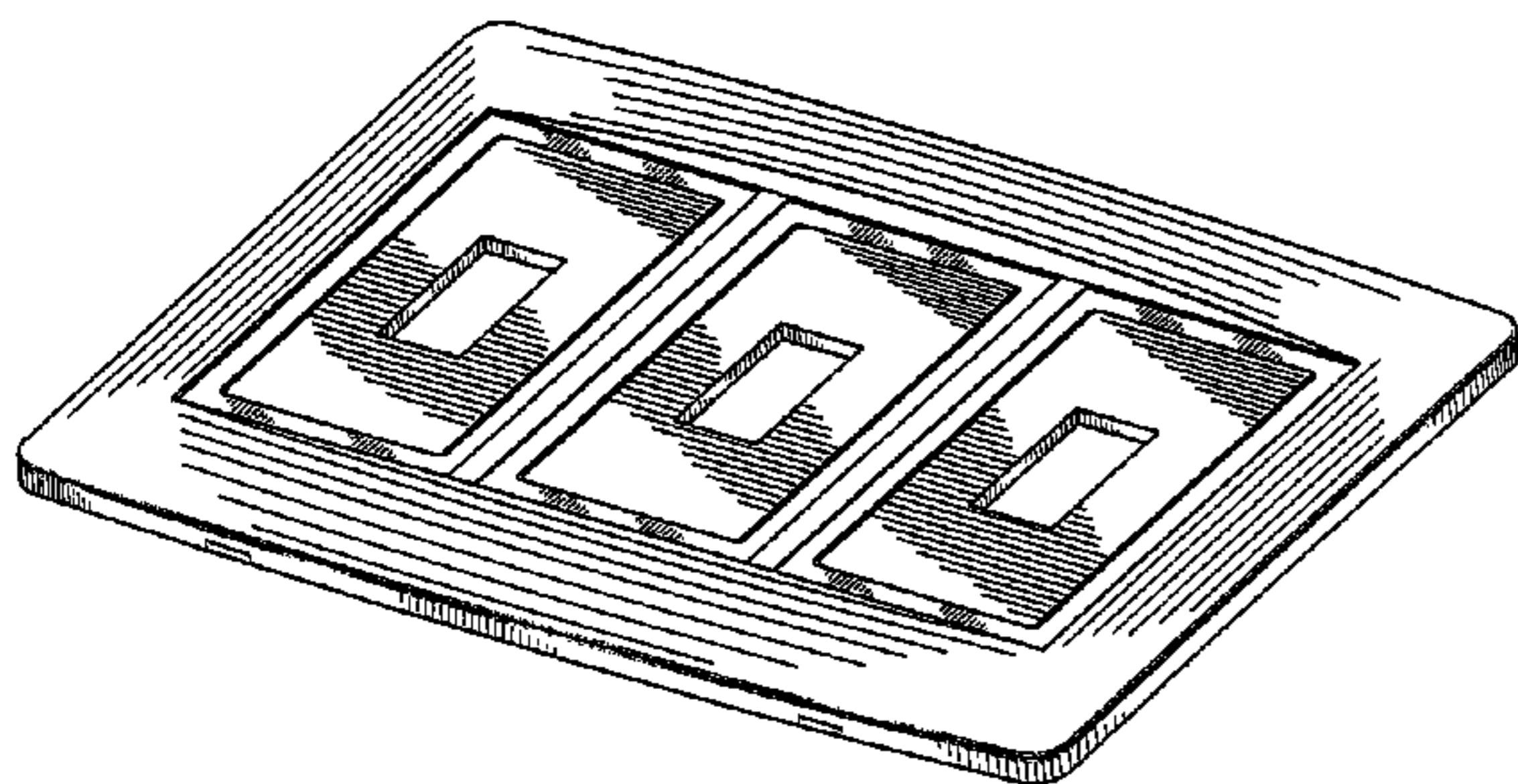
(57) **CLAIM**

The ornamental design for a switch plate with adapter assembly, as shown and described.

DESCRIPTION

FIG. 1 is a perspective view of the back and two side edges of a first embodiment of the invention;
FIG. 2 is a perspective view of the front and two side edges of the first embodiment;
FIG. 3 is a perspective view of the back and two side edges of a second embodiment of the invention; and,
FIG. 4 is a perspective view of the front and two side edges of the second embodiment.

1 Claim, 4 Drawing Sheets



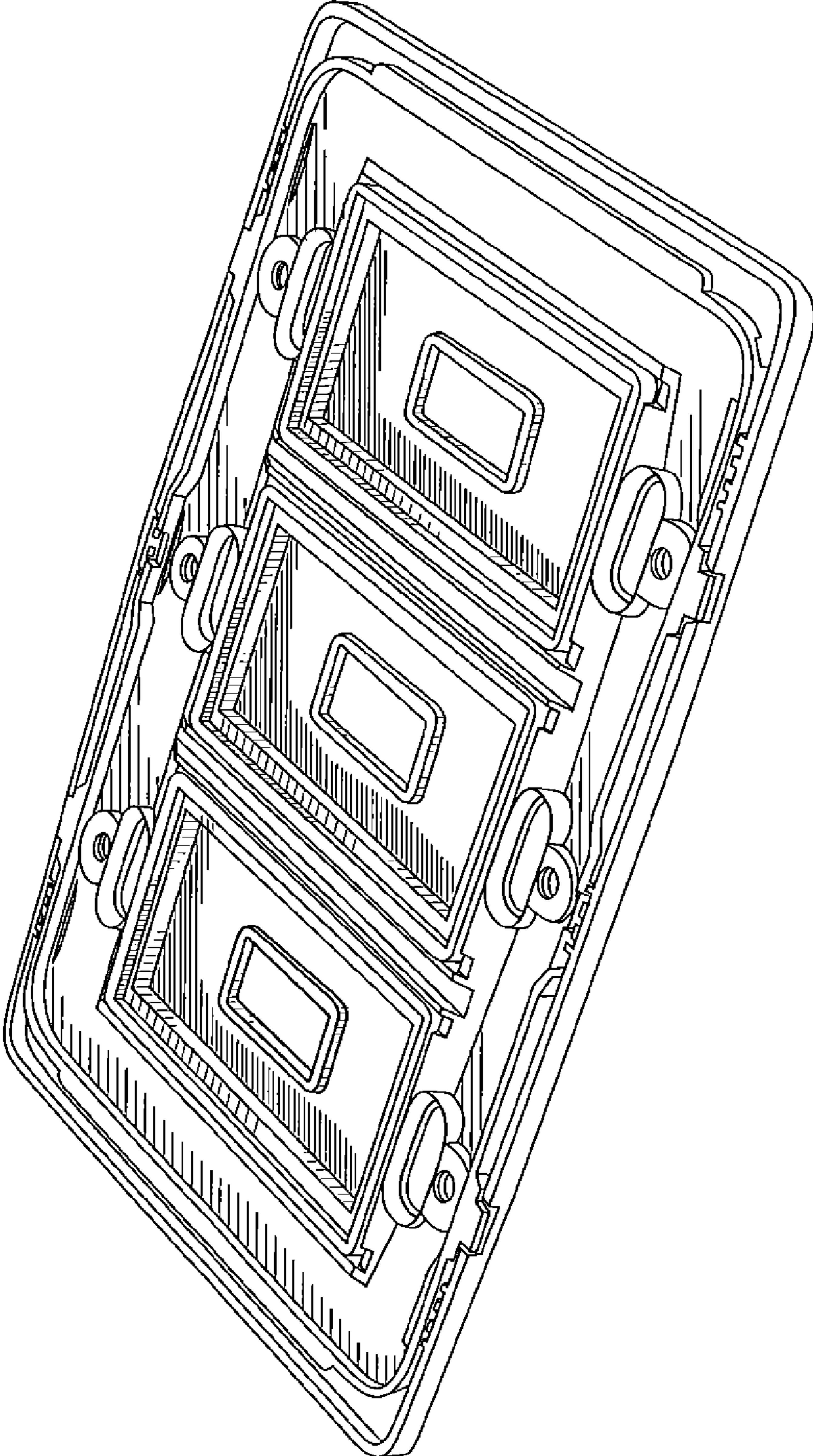


FIG.1

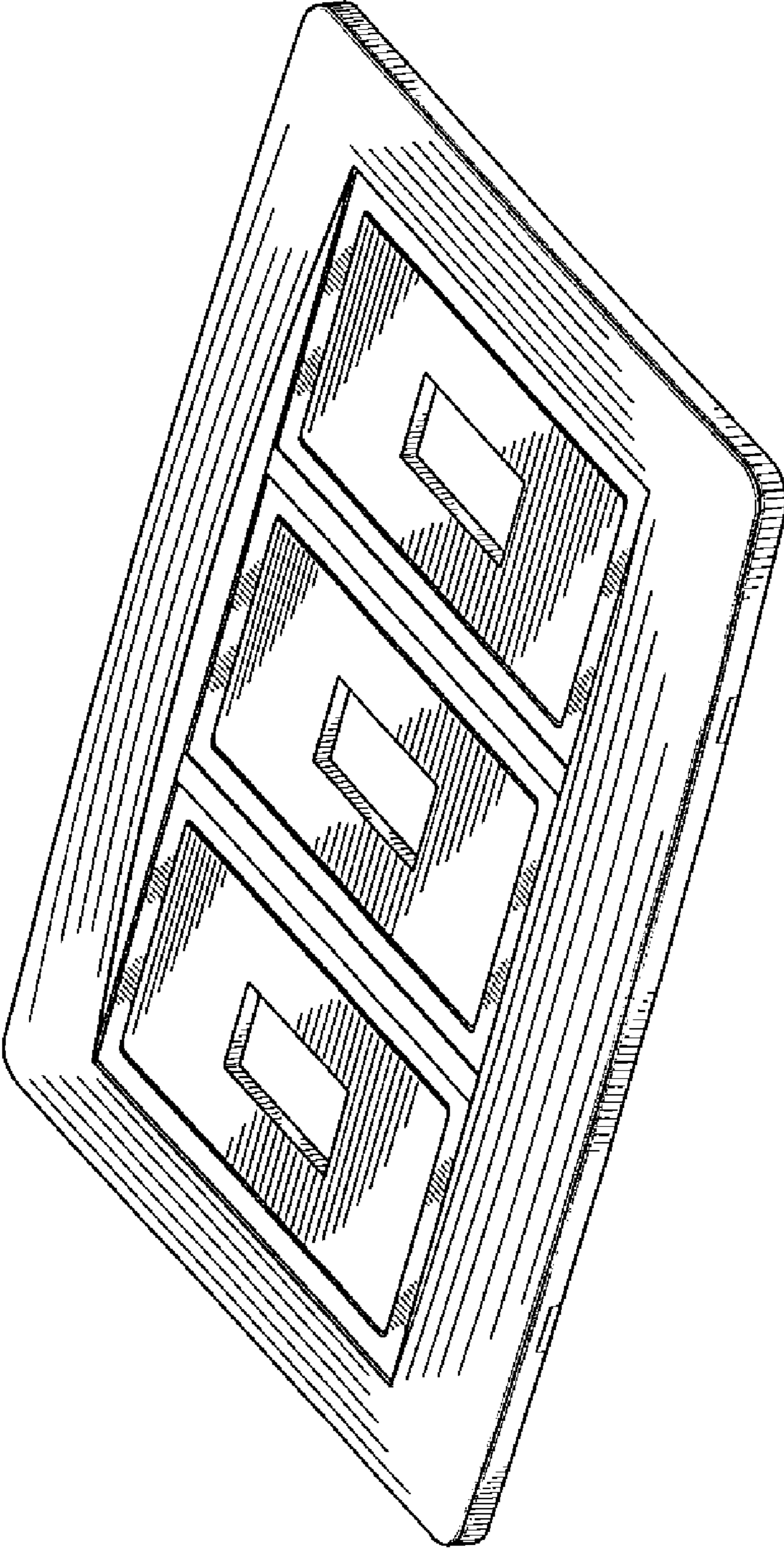


FIG.2

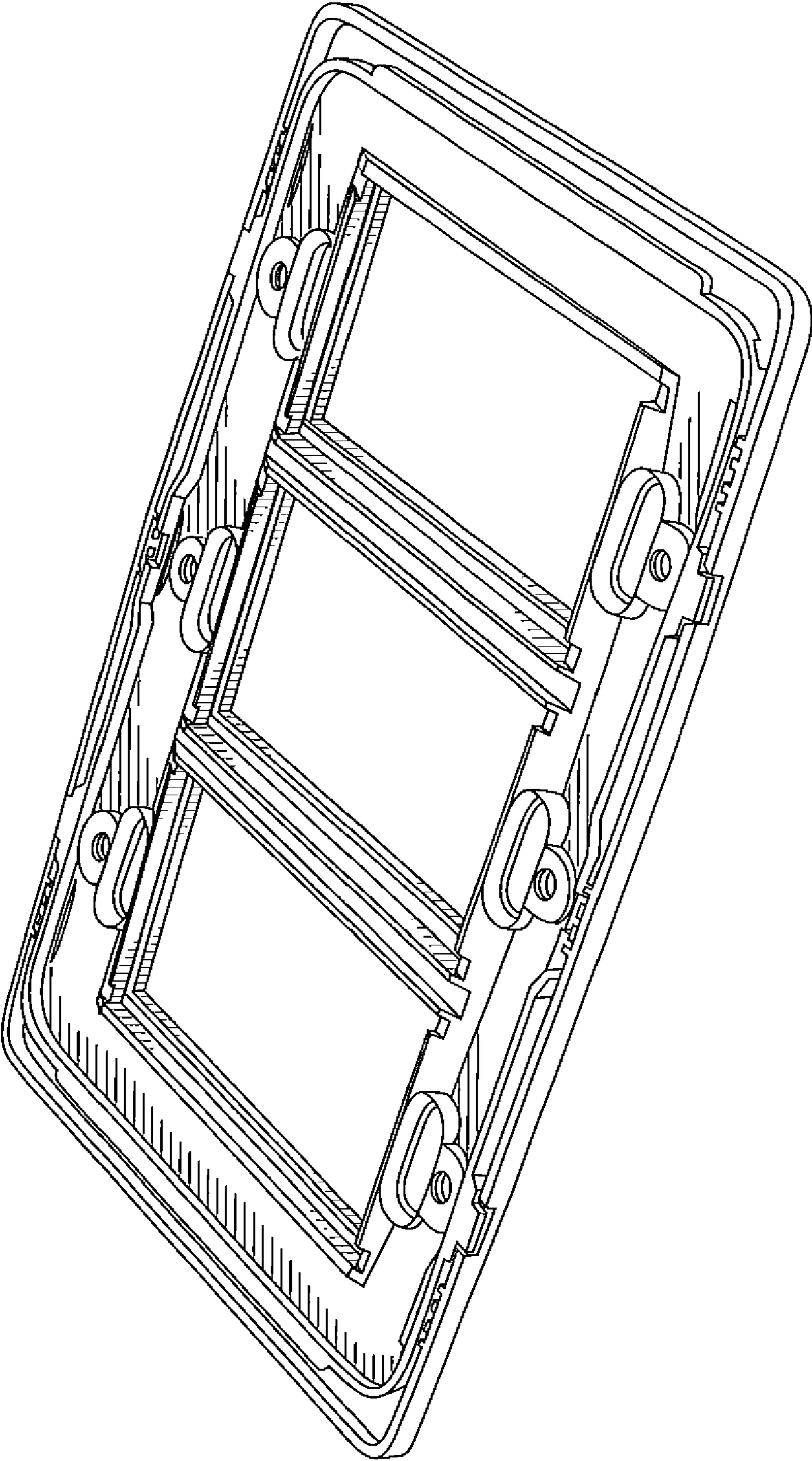


FIG.3

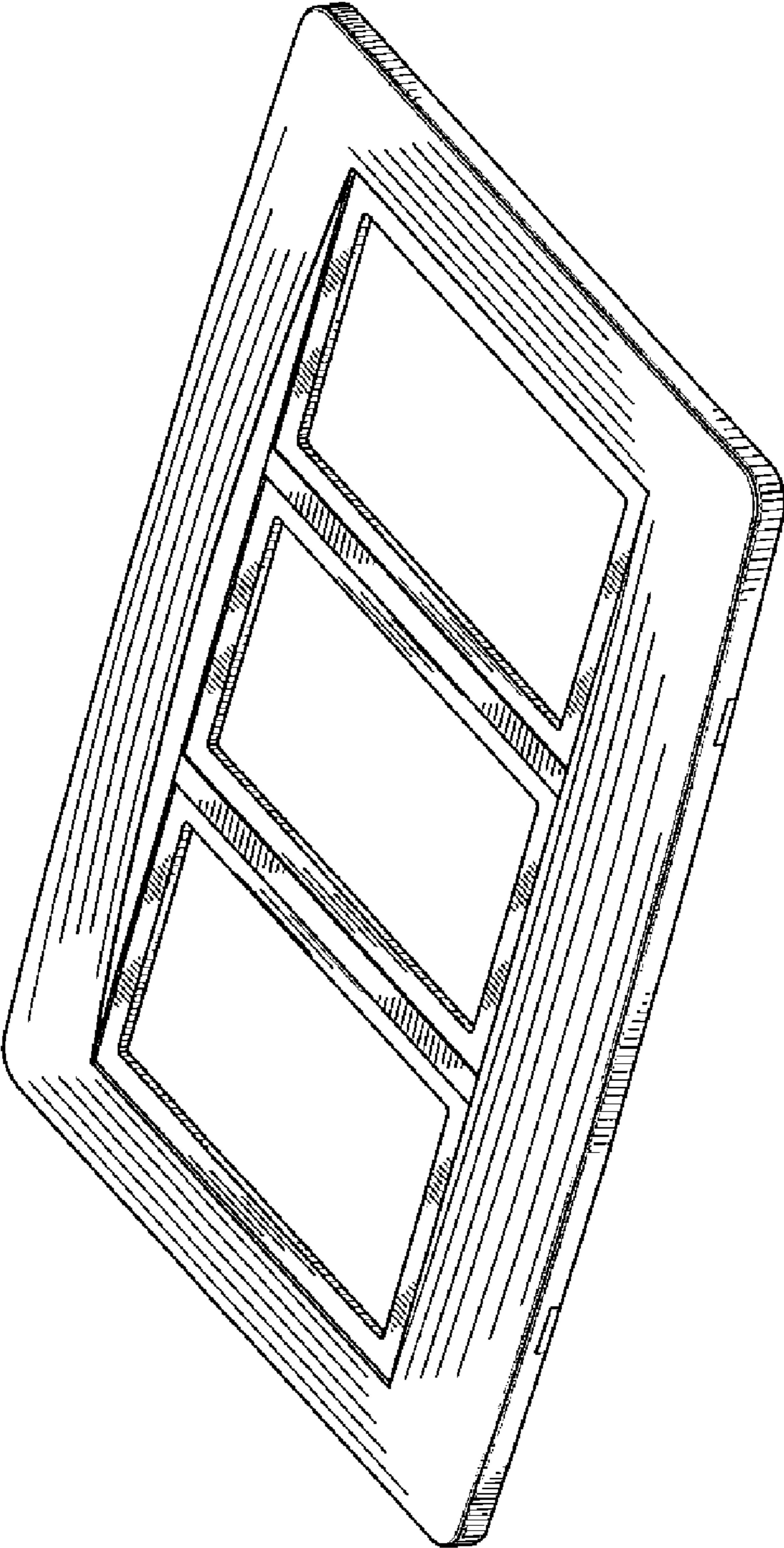


FIG.4