

US00D666890S

(12) **United States Design Patent**
Poston

(10) **Patent No.:** **US D666,890 S**

(45) **Date of Patent:** **** Sep. 11, 2012**

(54) **TOILET SEAT LIFTING HANDLE**

(76) Inventor: **Margaret Poston**, Germantown, TN
(US)

(**) Term: **14 Years**

(21) Appl. No.: **29/386,068**

(22) Filed: **Feb. 24, 2011**

(51) **LOC (9) Cl.** **08-06**

(52) **U.S. Cl.** **D8/307**

(58) **Field of Classification Search** D8/300,
D8/307, 14, 47, 48; 16/443, 903, 905; D30/161,
D30/162; 4/246.1, 661; D23/303, 311; D16/135;
D19/34; 294/1.5; 119/161; D32/34
See application file for complete search history.

(56) **References Cited**

U.S. PATENT DOCUMENTS

2,318,518	A *	5/1943	Opperer	4/246.1
D141,210	S *	5/1945	Kay	D8/104
D191,497	S *	10/1961	Hottle	D8/300
D212,507	S *	10/1968	Alaska	D16/135
D216,741	S *	3/1970	Bosma	D16/135
3,739,418	A *	6/1973	Yonaites et al.	294/1.3
4,252,356	A *	2/1981	Tokuzumi	294/1.3
4,512,046	A *	4/1985	Riggle	4/661
4,519,105	A *	5/1985	Blanck	4/246.1

D296,658	S *	7/1988	Mead et al.	D8/305
D326,599	S *	6/1992	Callahan	D8/307
D363,344	S *	10/1995	Hazard	D8/307
D363,976	S *	11/1995	Vinal	D8/307
D440,642	S *	4/2001	English et al.	D8/307
D507,168	S *	7/2005	Richard, Jr.	D8/307
D535,175	S *	1/2007	Pido et al.	D8/307
D630,928	S *	1/2011	Pavese	D8/307
D644,798	S *	9/2011	Sendra	D30/162

* cited by examiner

Primary Examiner — Paula Greene

(57) **CLAIM**

I claim the ornamental design for a toilet seat lifting handle, as shown and described.

DESCRIPTION

FIG. 1 is a top plan view of a toilet seat lifting handle, showing my new design;
FIG. 2 is a right side elevational view thereof, the right side being a mirror image of the left side;
FIG. 3 is a bottom plan view thereof;
FIG. 4 is a front elevational view thereof;
FIG. 5 is a back elevational view thereof;
FIG. 6 is right front perspective view thereof; and,
FIG. 7 is left back perspective view thereof.

1 Claim, 2 Drawing Sheets

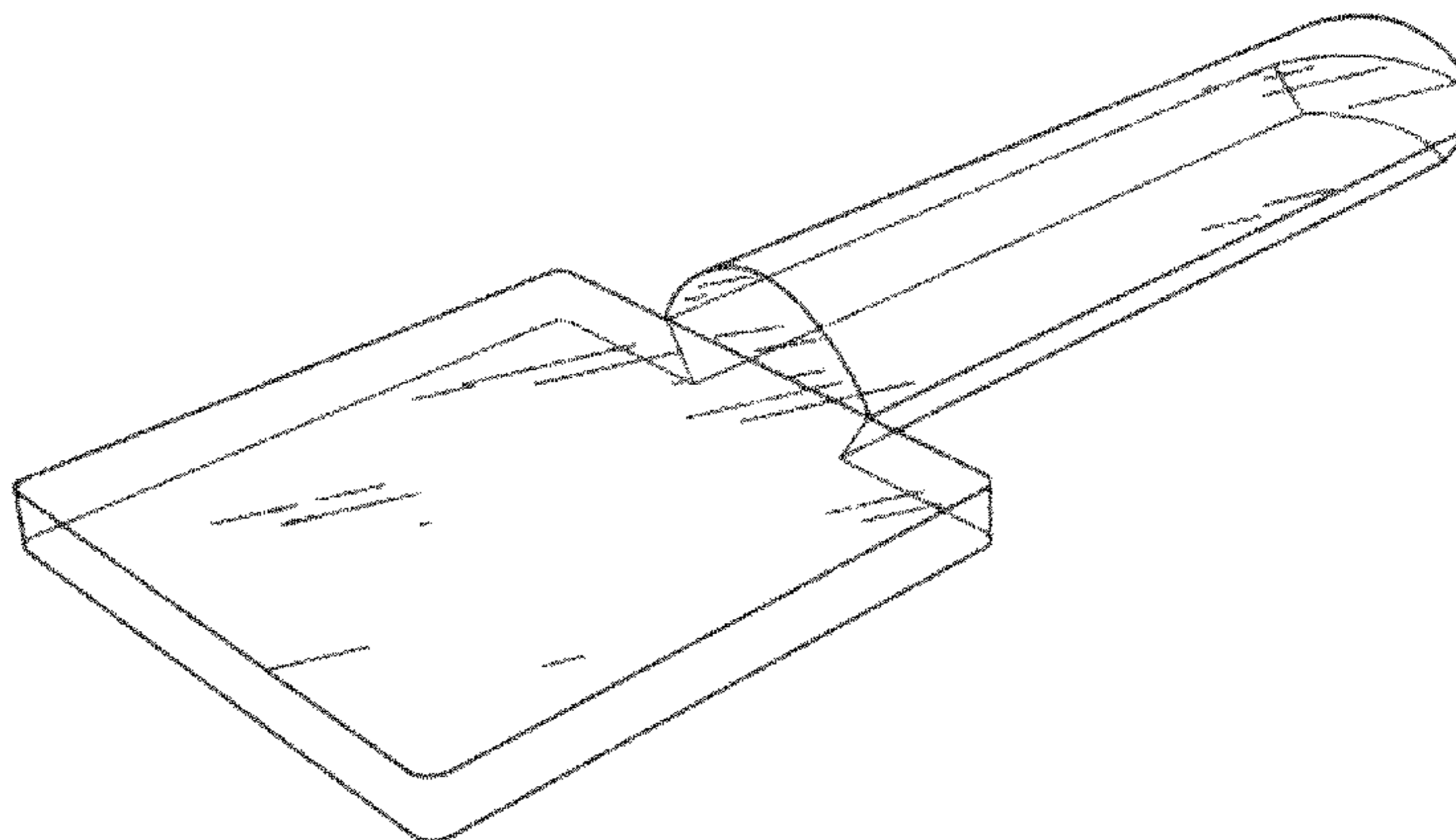
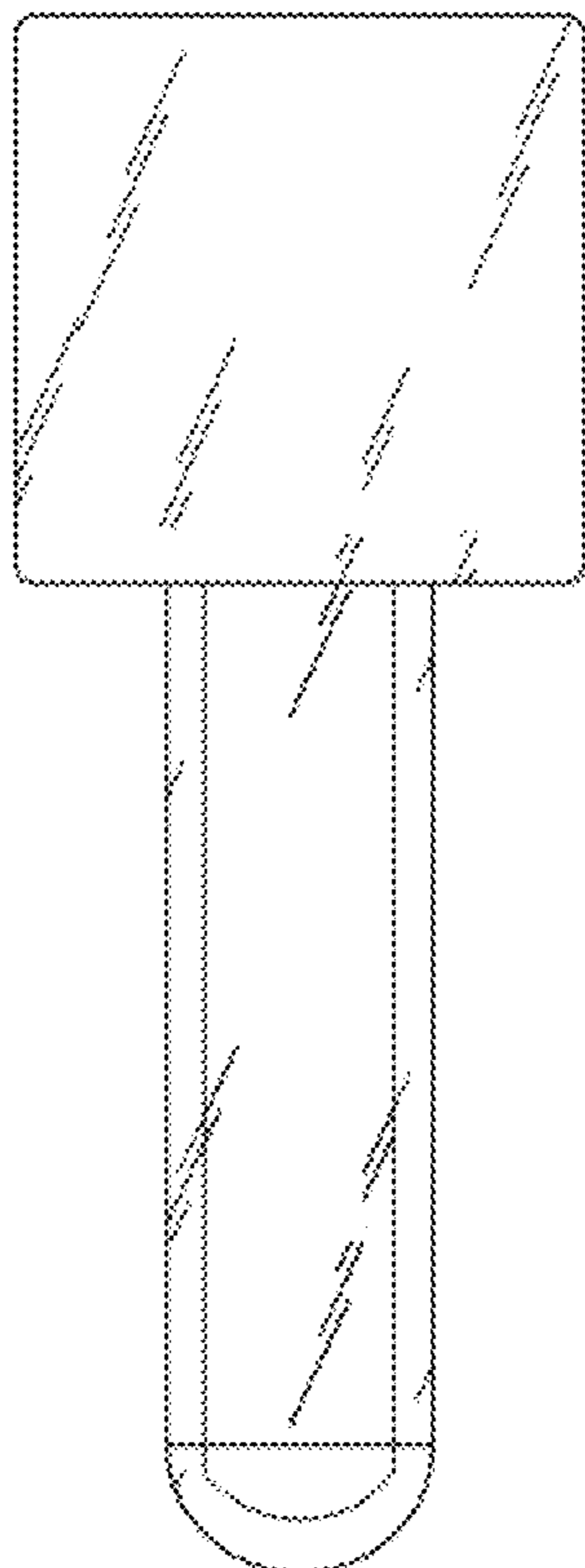


Fig. 1

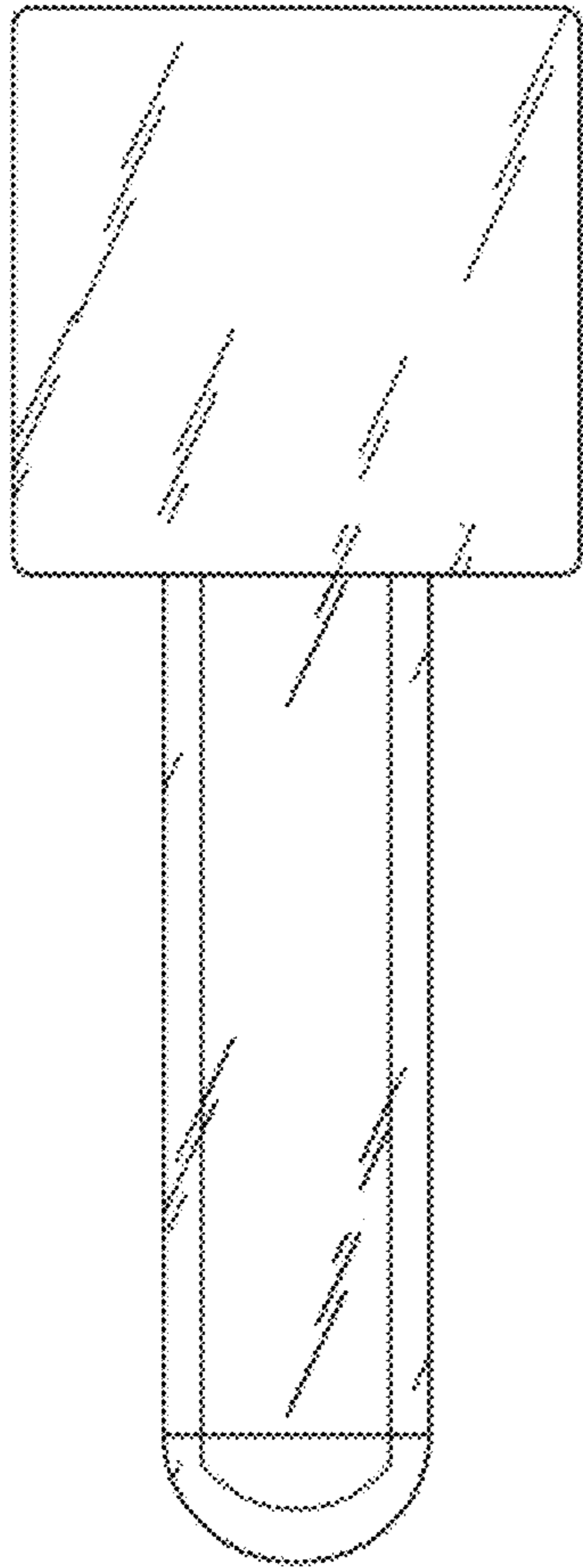


Fig. 2

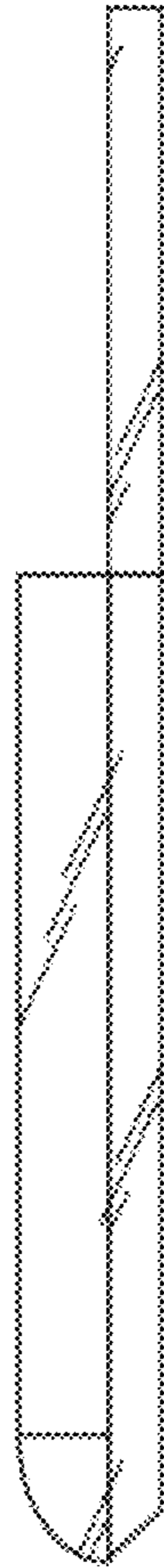


Fig. 3

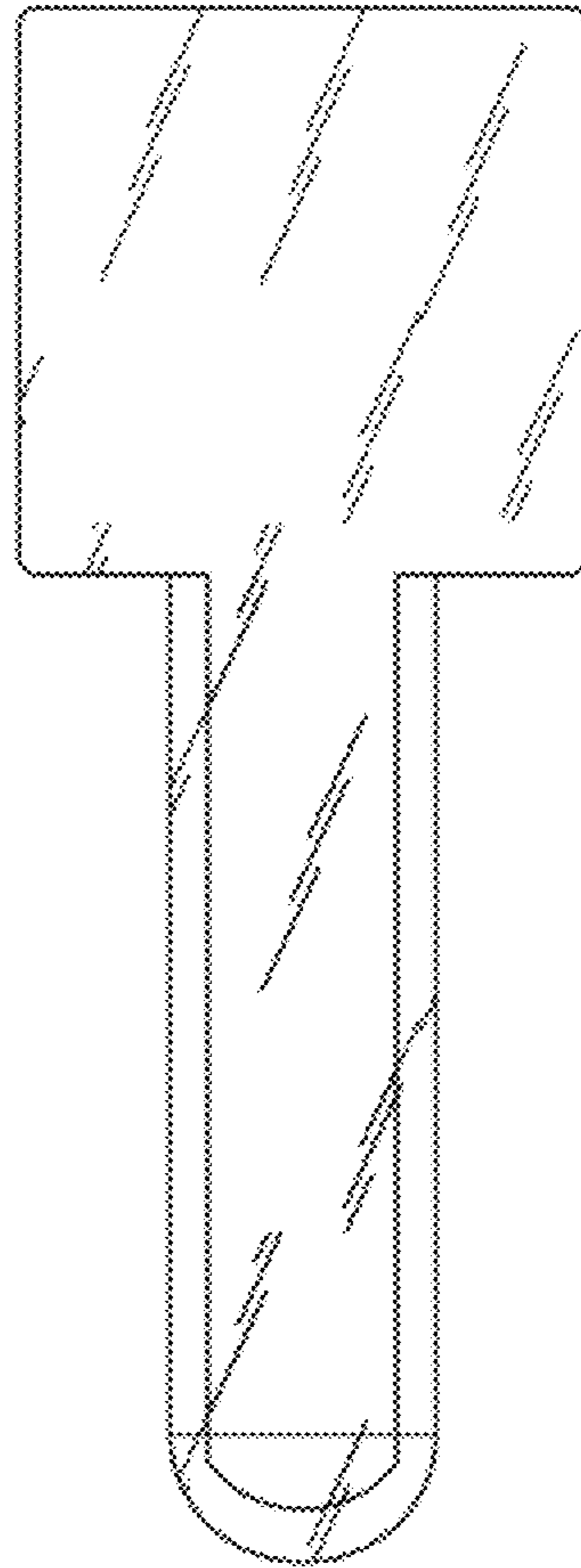


Fig. 4



Fig. 5

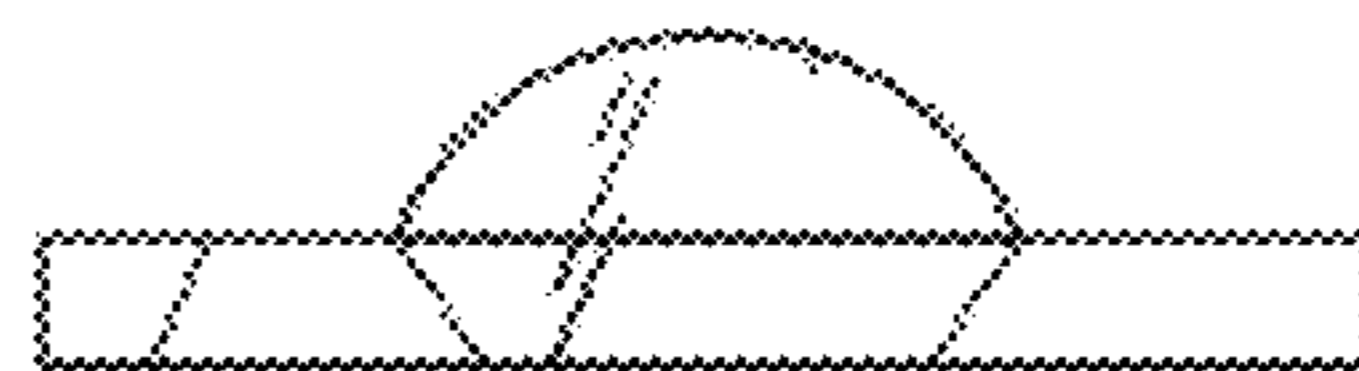


Fig. 6

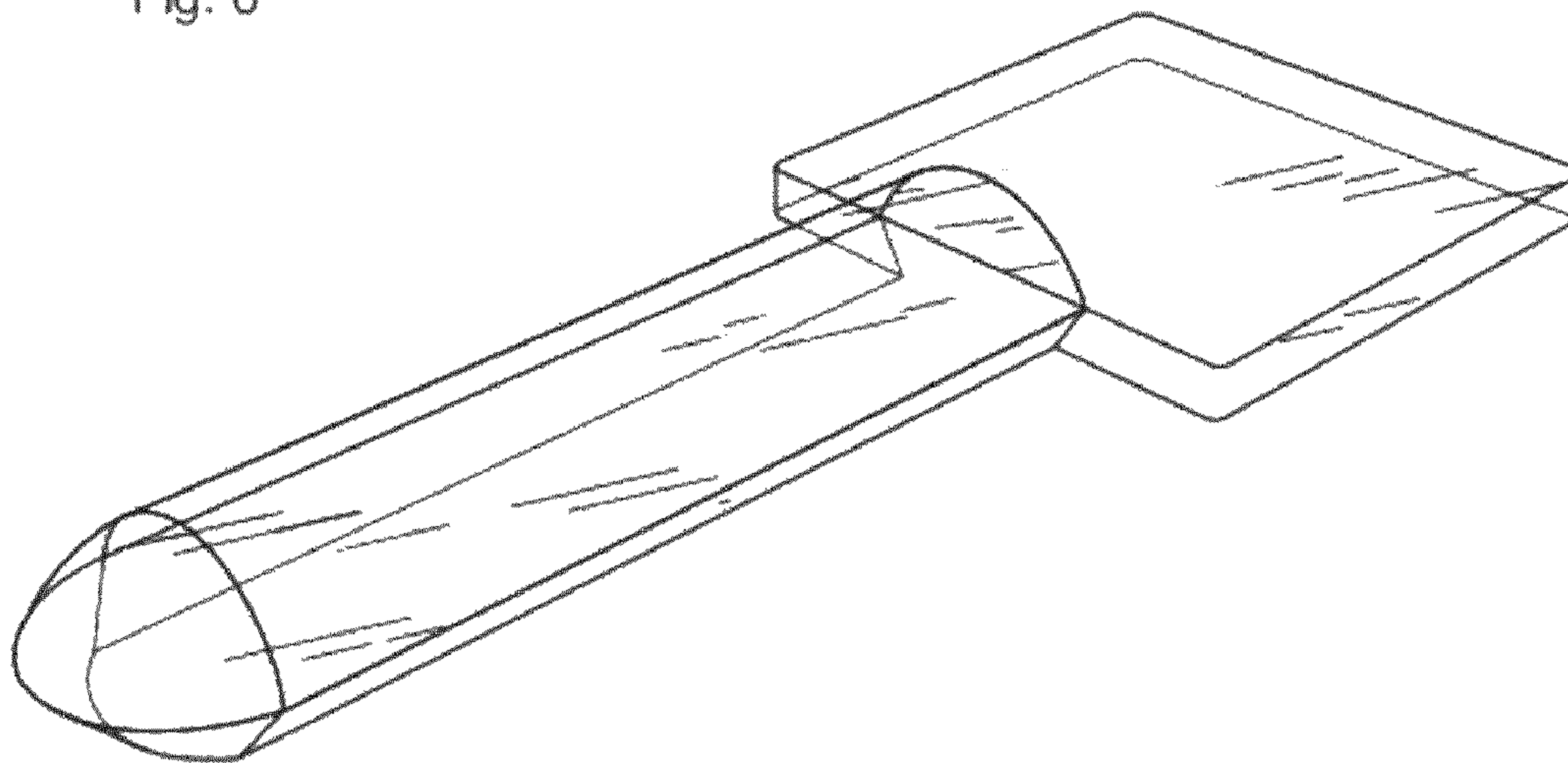


Fig. 7

