



US00D666885S

(12) **United States Design Patent**
Shaashua et al.

(10) **Patent No.:** **US D666,885 S**

(45) **Date of Patent:** **** Sep. 11, 2012**

(54) **BOTTLE OPENER**

(75) Inventors: **Ori Shaashua**, Herzliya (IL); **Gilad Meiri**, Cupertino, CA (US)

(73) Assignee: **TYNICS, LLC**, Cupertino, CA (US)

(**) Term: **14 Years**

(21) Appl. No.: **29/400,151**

(22) Filed: **Aug. 24, 2011**

(51) **LOC (9) Cl.** **07-99**

(52) **U.S. Cl.** **D8/40; D8/37**

(58) **Field of Classification Search** D8/14,
D8/16-19, 33-43, 88, 89, 105; 7/113, 151-156;
30/400-410, 416-430, 433, 434, 443, 450;
81/3.07, 3.09, 3.2, 3.27, 3.29, 3.31, 3.35,
81/3.37, 3.4, 3.45, 3.48, 3.49, 3.55
See application file for complete search history.

(56) **References Cited**

U.S. PATENT DOCUMENTS

1,060,674	A *	5/1913	Foster	81/3.09
1,996,696	A *	4/1935	Brown	81/3.25
2,333,088	A *	11/1943	Brown	81/3.27
2,565,775	A *	8/1951	Mendenhall	81/3.27
D281,389	S *	11/1985	Summers	D8/40

D413,054	S *	8/1999	Anderson	D8/40
D428,783	S *	8/2000	Precetti et al.	D8/40
D454,287	S *	3/2002	Wolf	D8/40
D481,600	S *	11/2003	Cohen	D8/40
D501,773	S *	2/2005	Kohn	D8/40
D504,598	S *	5/2005	Biddulph et al.	D8/33

* cited by examiner

Primary Examiner — Garth Rademaker

(74) *Attorney, Agent, or Firm* — Robert G. Lev; Michael Factor

(57) **CLAIM**

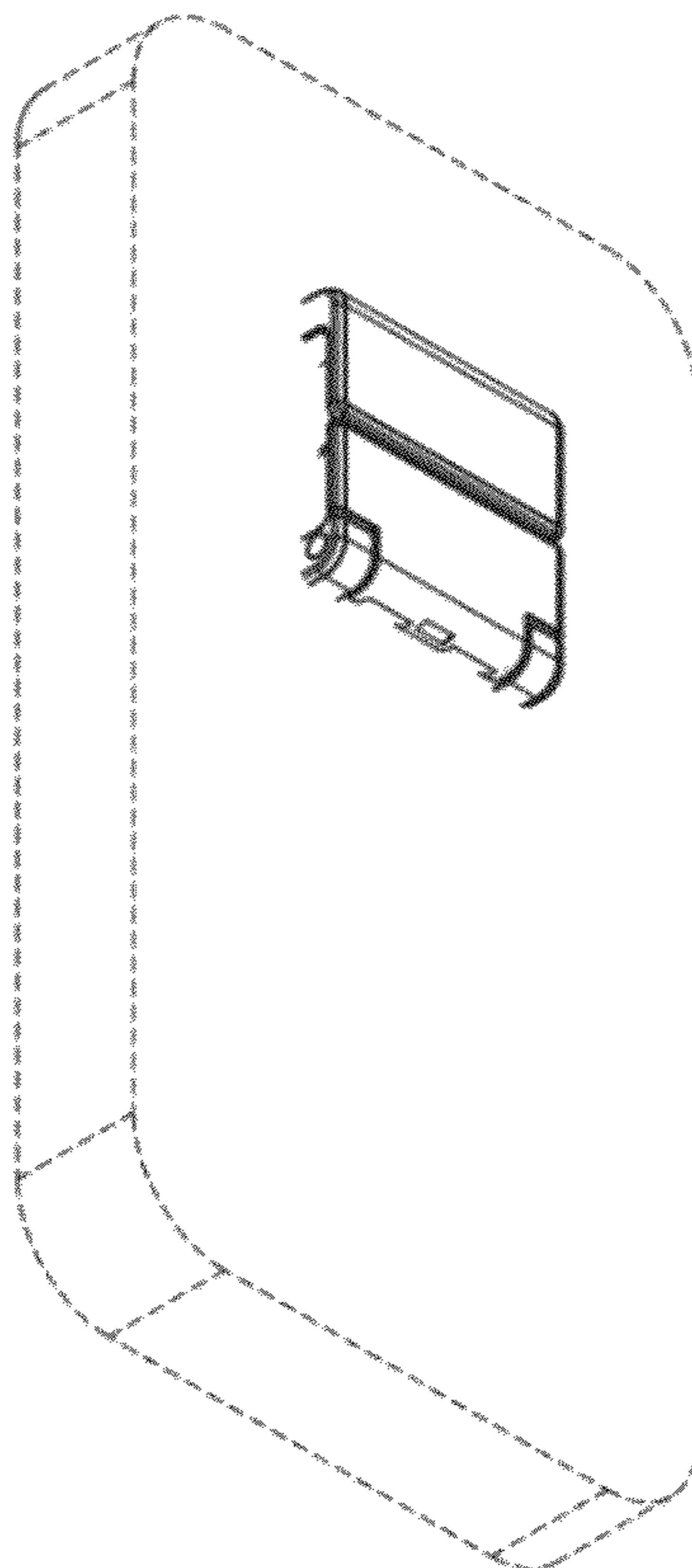
The ornamental design for a bottle opener, as shown and described.

DESCRIPTION

FIG. 1 is a bottom, front, left side perspective view of a bottle opener;
FIG. 2 is a bottom, front, right side perspective view thereof;
FIG. 3 is a front view thereof;
FIG. 4 is a bottom view thereof;
FIG. 5 is a top view thereof;
FIG. 6 is a right side view thereof; and,
FIG. 7 is a left side view thereof.

The broken lines depict environmental subject matter only and form no part of the claimed design.

1 Claim, 6 Drawing Sheets



First Front and Isometric View

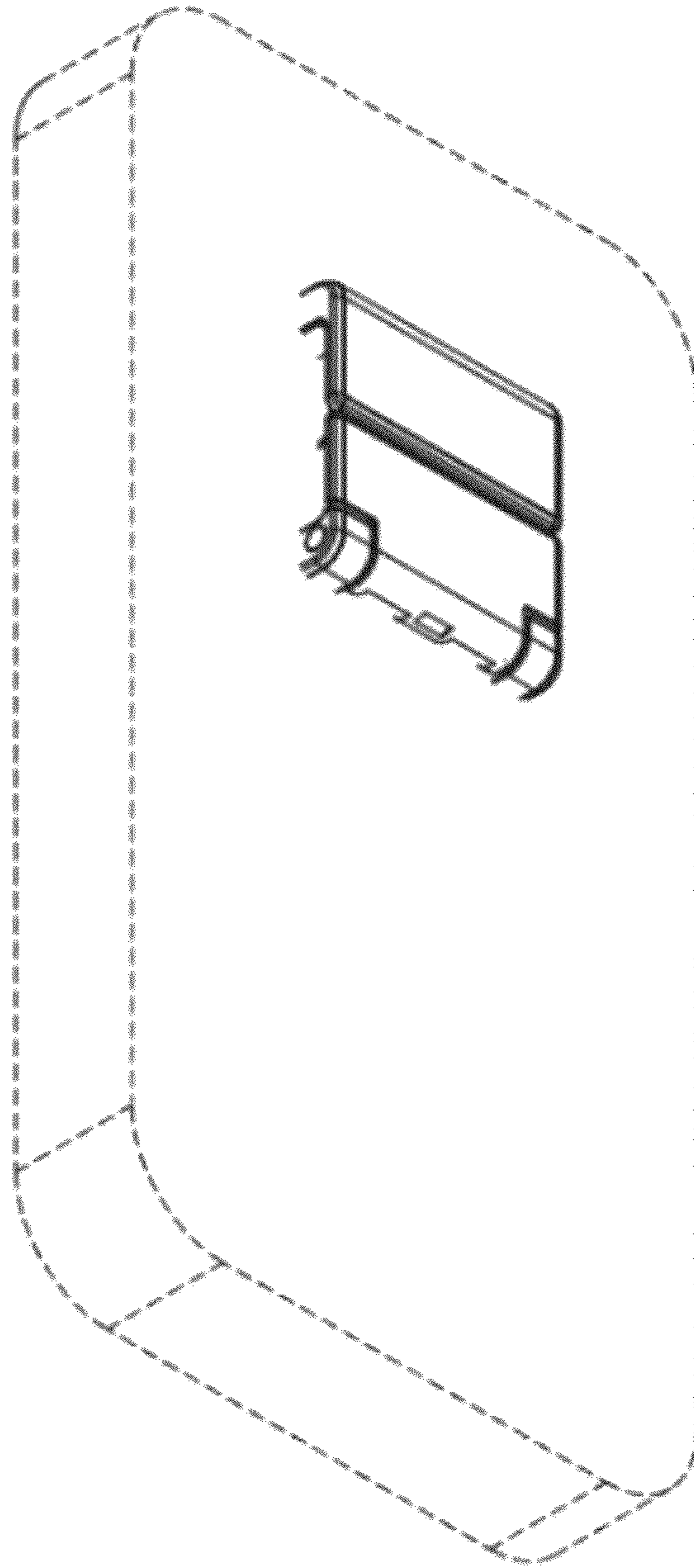


Fig. 1
First Front and Isometric View

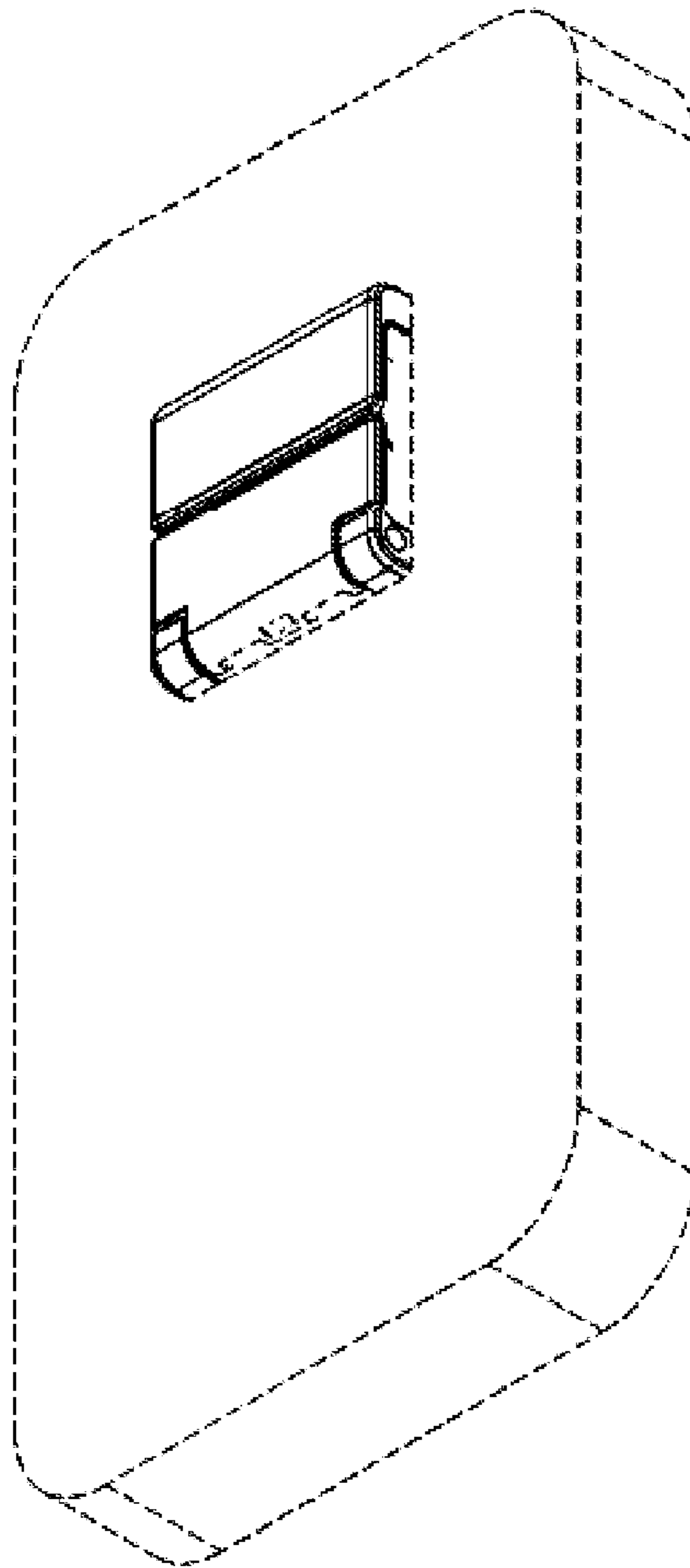


Fig. 2

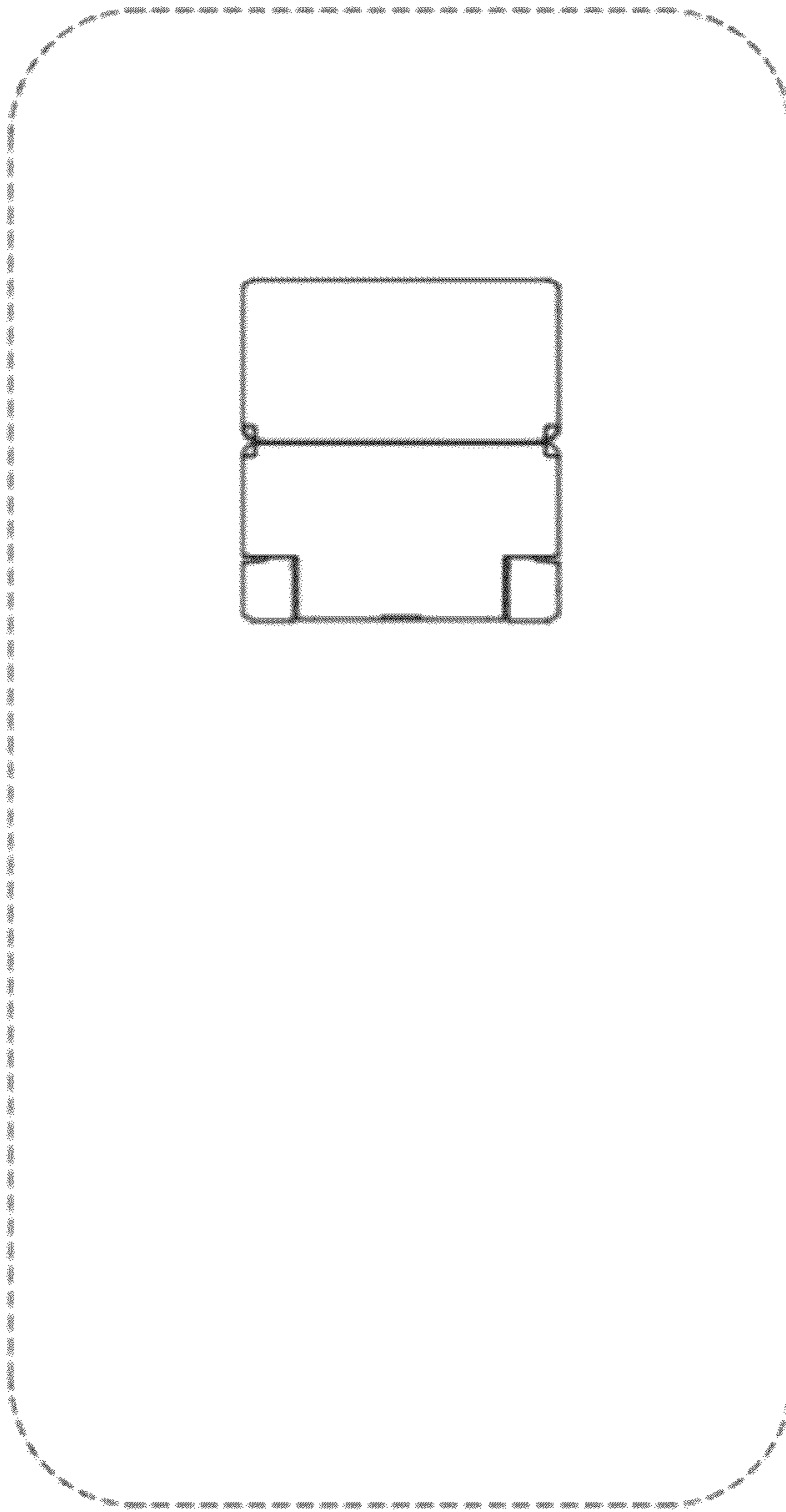


Fig. 3
Front View

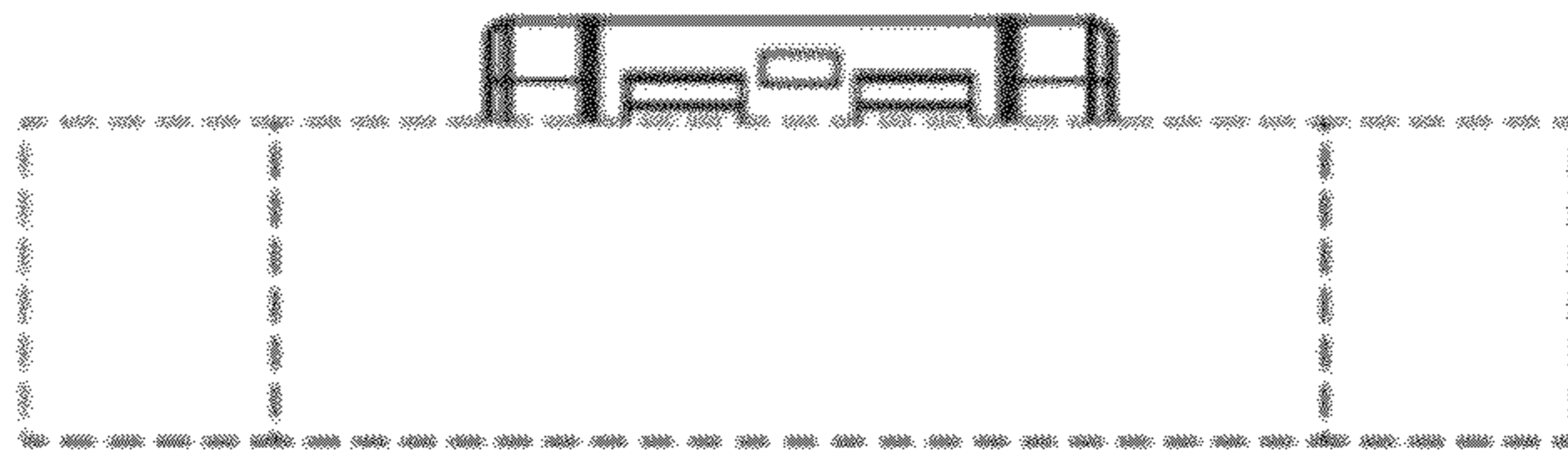


Fig. 4
Bottom End View

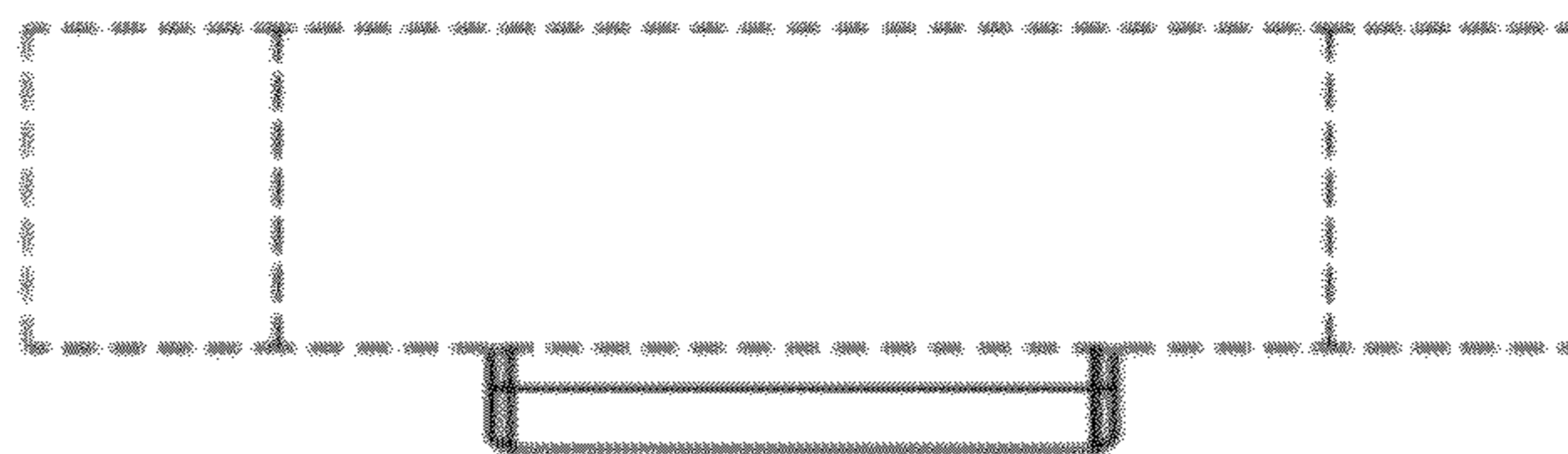


Fig. 5
Top End View

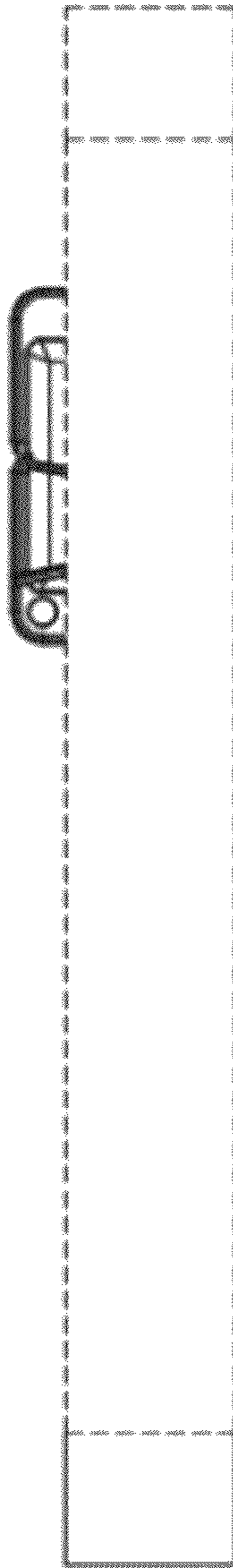


Fig. 6
Right Side View

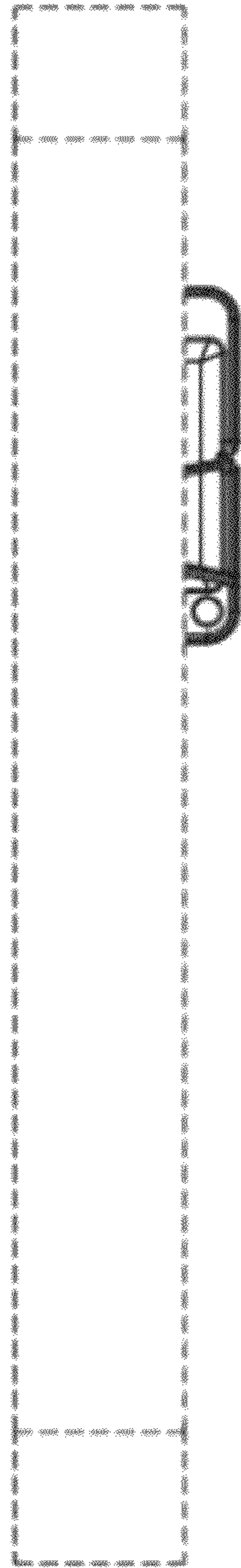


Fig. 7
Left Side View