



US00D666883S

(12) **United States Design Patent**
Howard et al.

(10) **Patent No.:** **US D666,883 S**
(45) **Date of Patent:** **** Sep. 11, 2012**

(54) **ARMORERS TOOL**

(75) Inventors: **Robert Michael Howard**, Kennesaw, GA (US); **Buddie Daniel**, Kennesaw, GA (US); **Kevin Miller**, Kennesaw, GA (US)

(73) Assignee: **The American Parts Company**, Kennesaw, GA (US)

(**) Term: **14 Years**

(21) Appl. No.: **29/391,589**

(22) Filed: **May 11, 2011**

(51) **LOC (9) Cl.** **08-05**

(52) **U.S. Cl.** **D8/19**

(58) **Field of Classification Search** D8/16, D8/18, 19, 21, 33-43, 88, 89, 105, 107, 347, D8/348; D22/149; D18/36, 43; 7/113, 151-156; 30/400-410, 416-430, 433, 434, 443, 450
See application file for complete search history.

(56) **References Cited**

U.S. PATENT DOCUMENTS

D268,086 S	3/1983	Waters, Jr.	
D302,514 S	8/1989	Gates	
D443,015 S	5/2001	Abdo	
D468,977 S *	1/2003	Graff et al.	D8/19
D477,197 S *	7/2003	Yates	D8/21
D491,427 S	6/2004	Weimer	
6,745,648 B2	6/2004	Stier	
D507,728 S *	7/2005	Graff et al.	D8/18
D516,394 S *	3/2006	Chen	D8/16
D540,631 S	4/2007	Bryant	
D548,552 S	8/2007	Elkaim	
D564,316 S	3/2008	Elkaim	
D589,589 S *	3/2009	McCloudry et al.	D22/149
D598,723 S	8/2009	Cheng	
D601,393 S	10/2009	Cui	
7,644,529 B2	1/2010	Hopper et al.	
7,703,232 B1	4/2010	Johns	
D622,562 S *	8/2010	Knapton	D8/19
D624,374 S *	9/2010	Walters, III	D8/19

* cited by examiner

Primary Examiner — Susan Bennett Hattan

Assistant Examiner — Barbara B Lohr

(74) *Attorney, Agent, or Firm* — Gardner Groff Greenwald & Villanueva P.C.

(57) **CLAIM**

The ornamental design for an armorers tool, substantially as shown and described.

DESCRIPTION

FIG. 1 is a perspective view of an armorers tool according to a first example embodiment.

FIG. 2 is a top plan view of the armorers tool shown in FIG. 1.

FIG. 3 is a bottom plan view of the armorers tool shown in FIG. 1.

FIG. 4 is a top side elevation view of the armorers tool shown in FIG. 1.

FIG. 5 is a rear side elevation view of the armorers tool shown in FIG. 1.

FIG. 6 is a front side elevation view of the armorers tool shown in FIG. 1.

FIG. 7 is a bottom side elevation view of the armorers tool shown in FIG. 1.

FIG. 8 is a perspective view of an armorers tool according to a second example embodiment.

FIG. 9 is a bottom plan view of the armorers tool shown in FIG. 8.

FIG. 10 is a bottom plan view of the armorers tool shown in FIG. 8.

FIG. 11 is a top side elevation view of the armorers tool shown in FIG. 8.

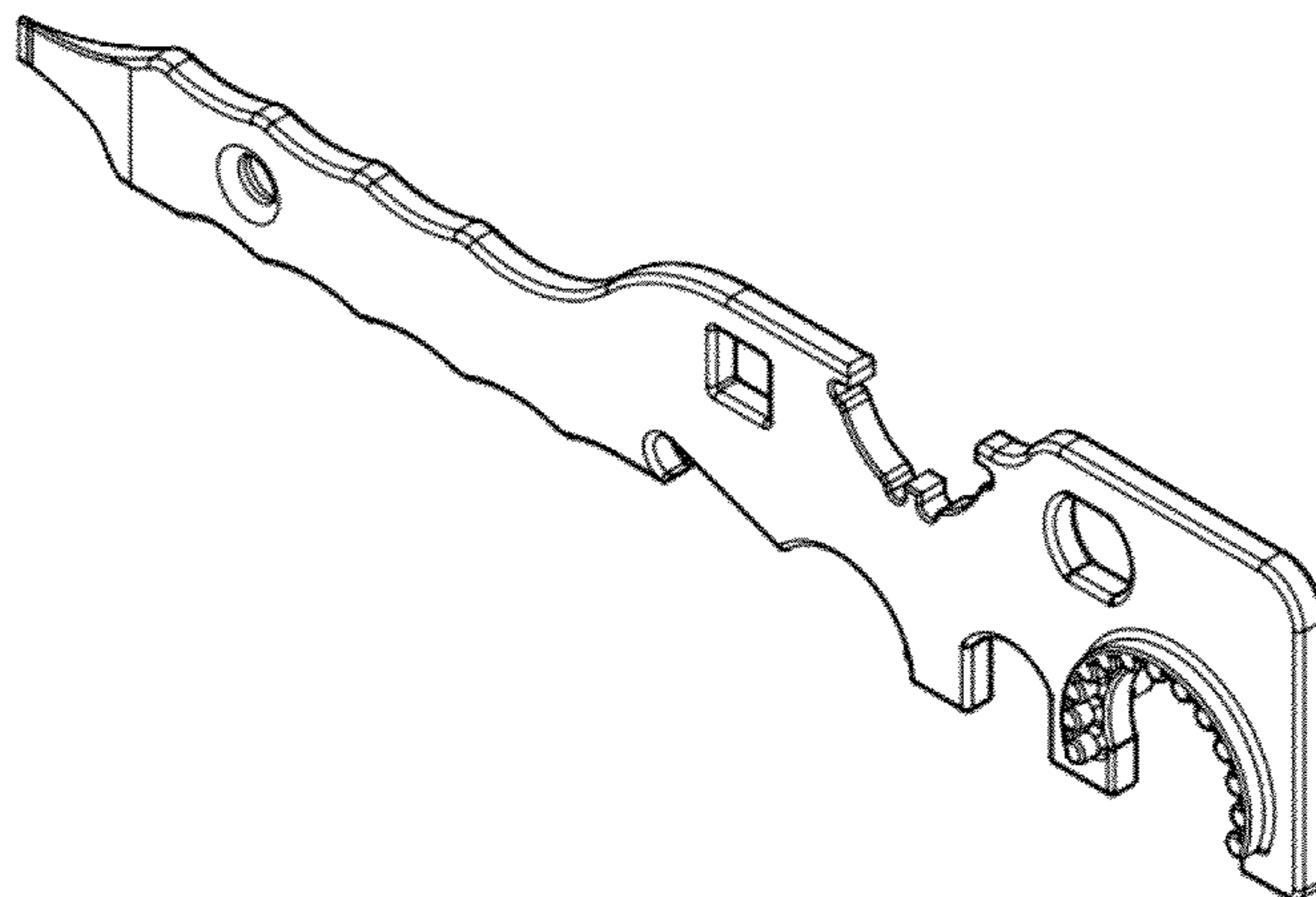
FIG. 12 is a rear side elevation view of the armorers tool shown in FIG. 8.

FIG. 13 is a front side elevation view of the armorers tool shown in FIG. 8; and,

FIG. 14 is a bottom side elevation view of the armorers tool shown in FIG. 8.

Portions shown in broken lines are for illustrative purposes only and form no part of the claimed design.

1 Claim, 14 Drawing Sheets



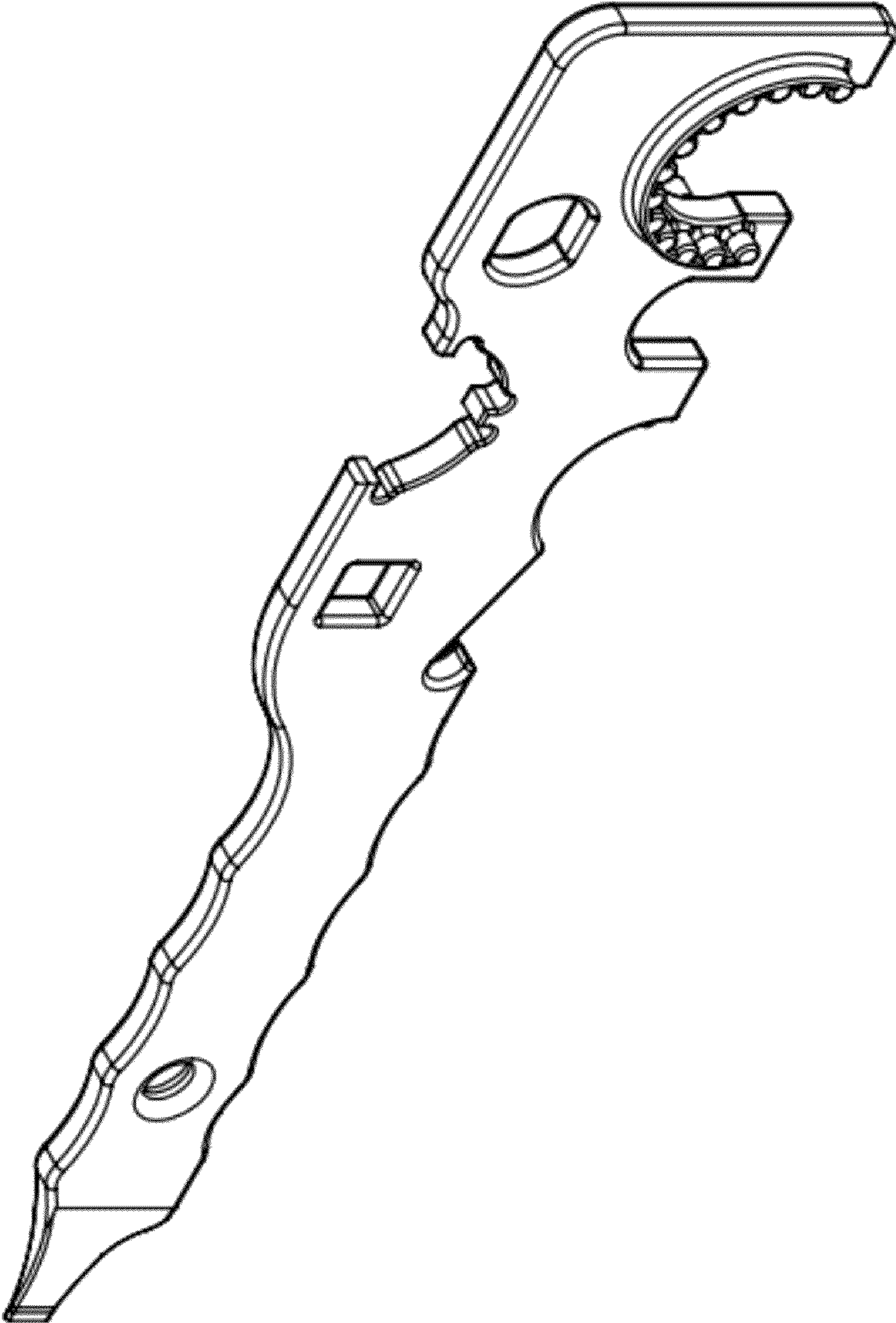


FIG. 1

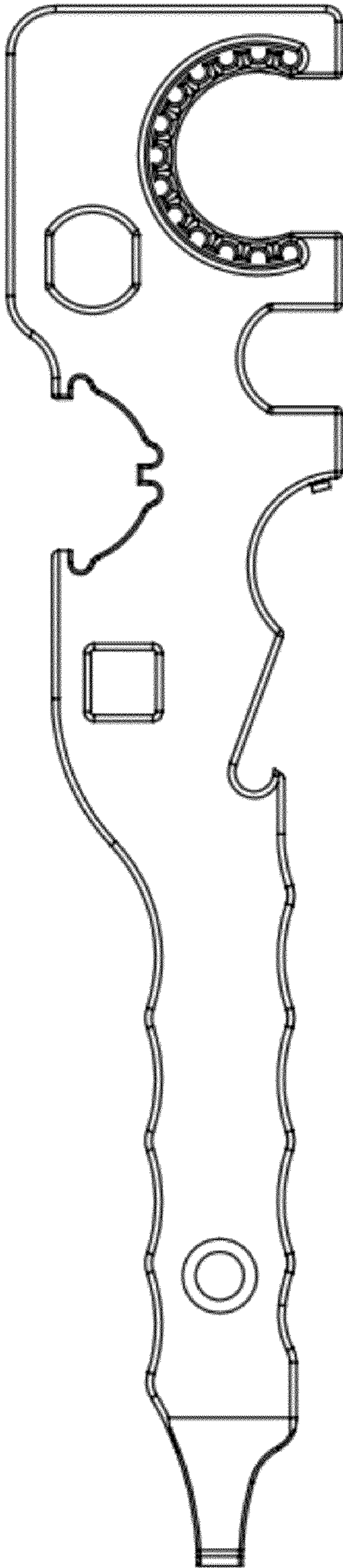


FIG. 2

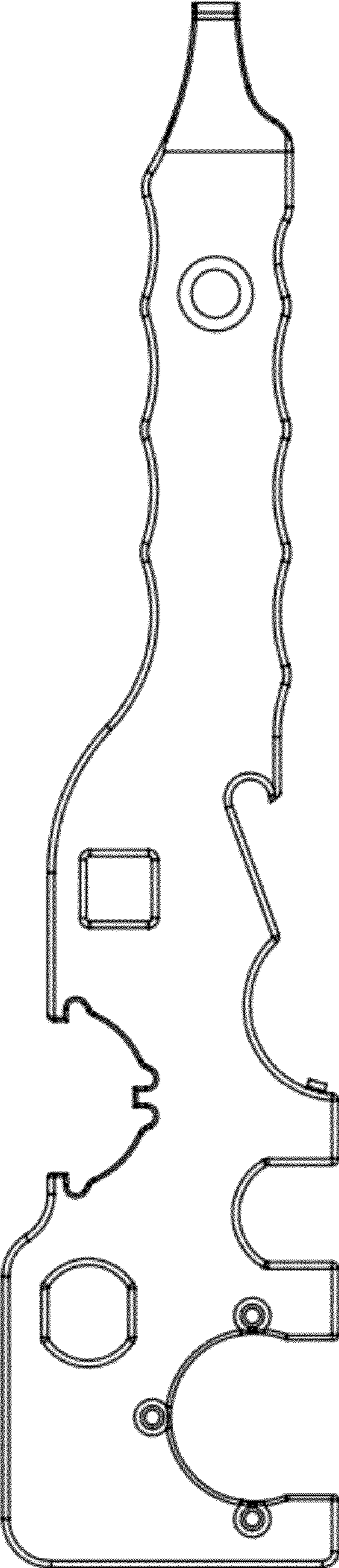


FIG. 3

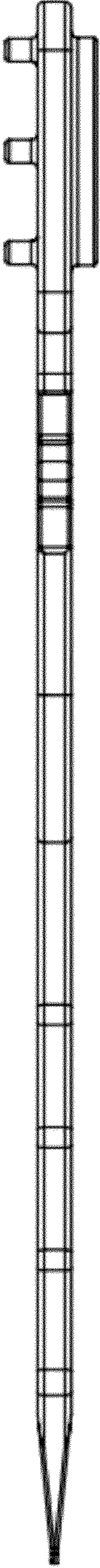


FIG. 4

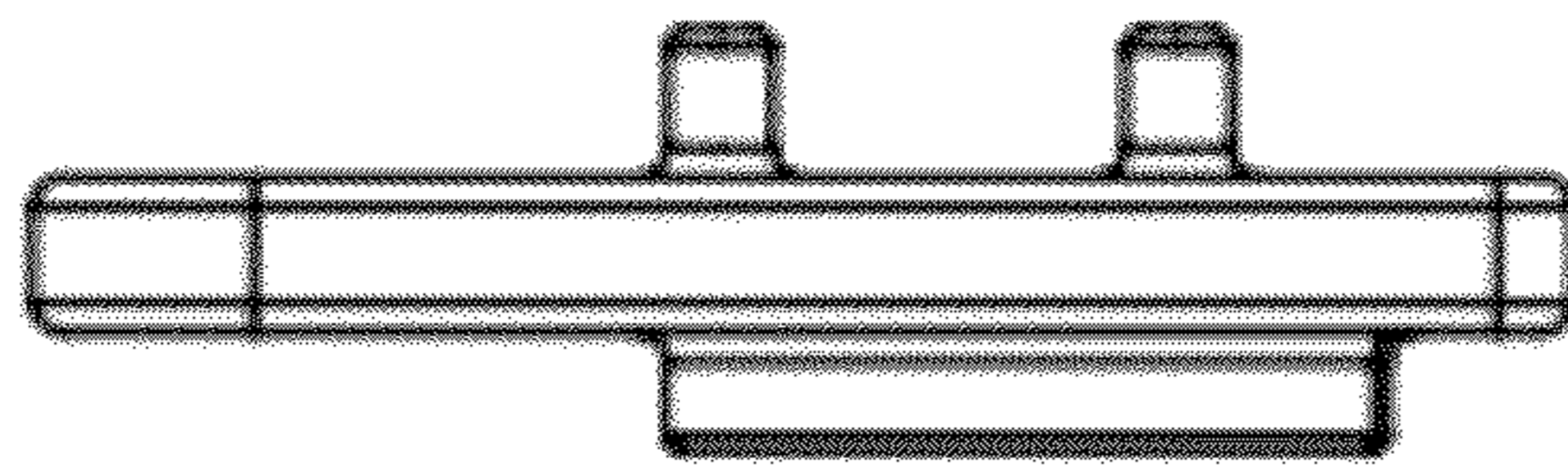


FIG. 5

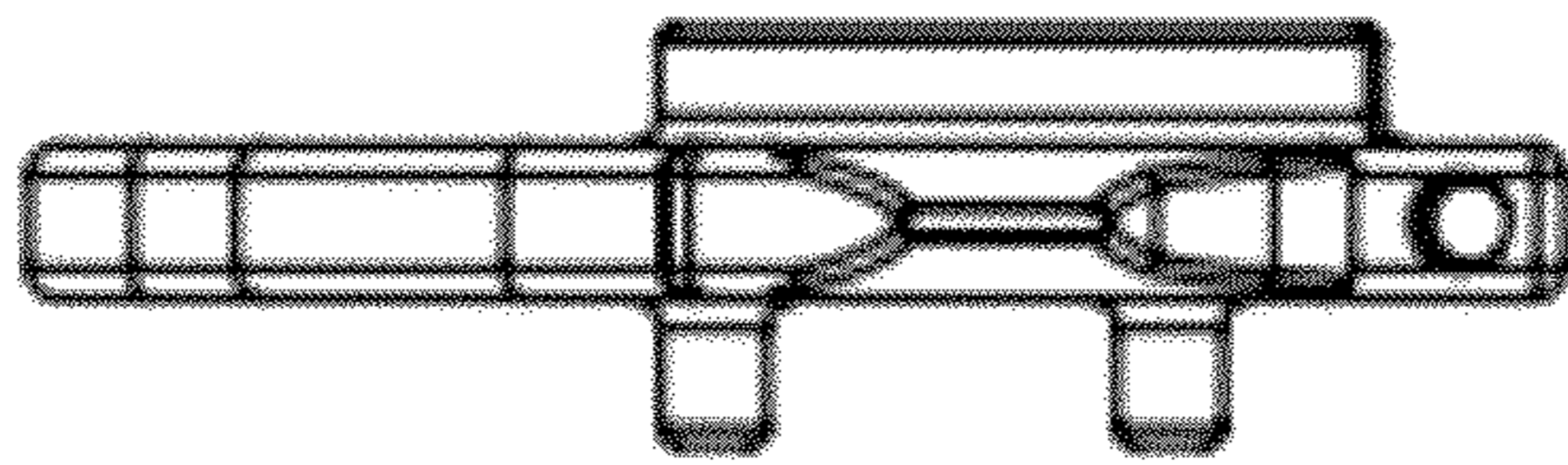


FIG. 6

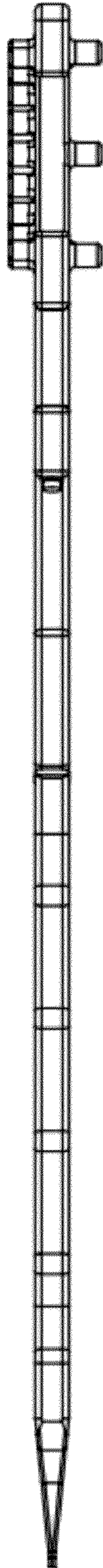


FIG. 7

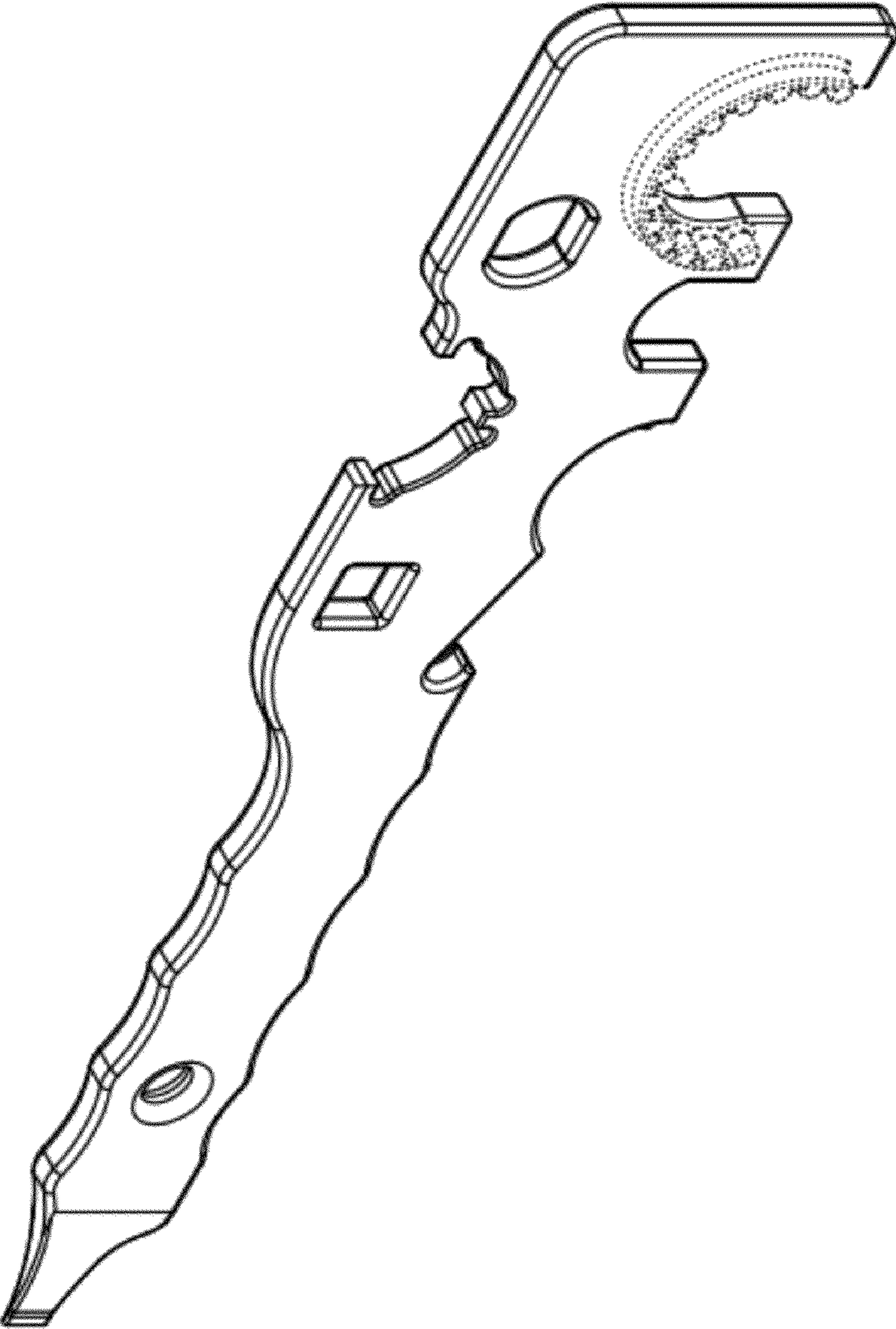


FIG. 8

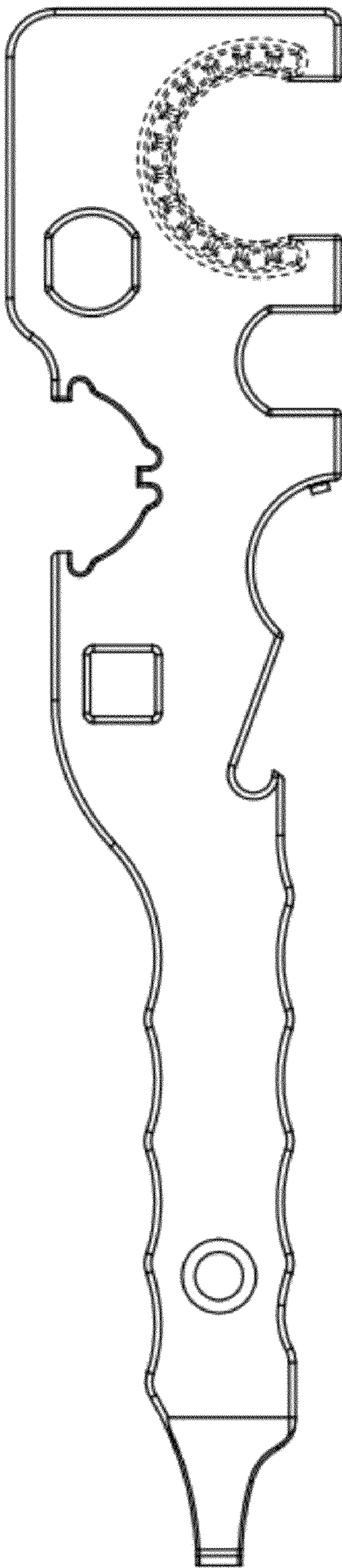


FIG. 9

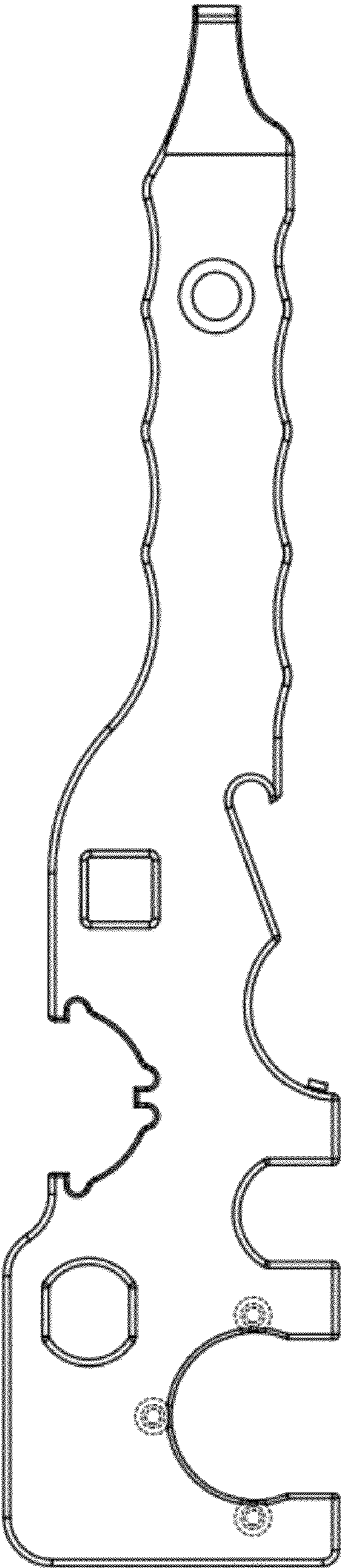


FIG. 10

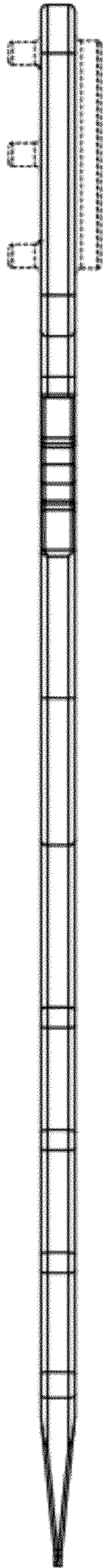


FIG. 11

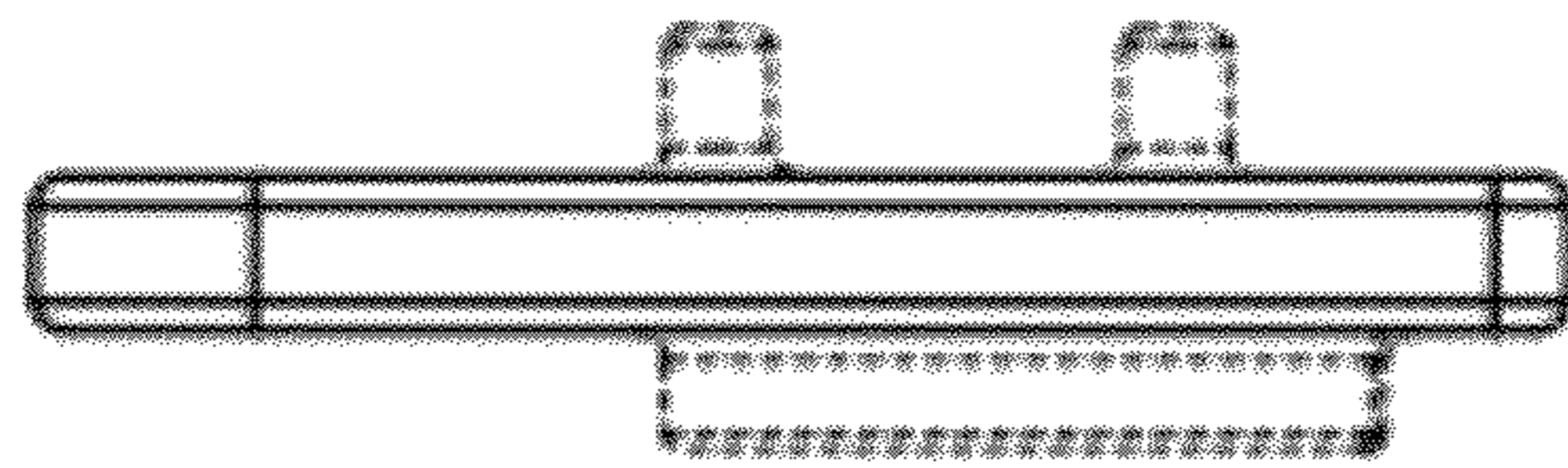


FIG. 12

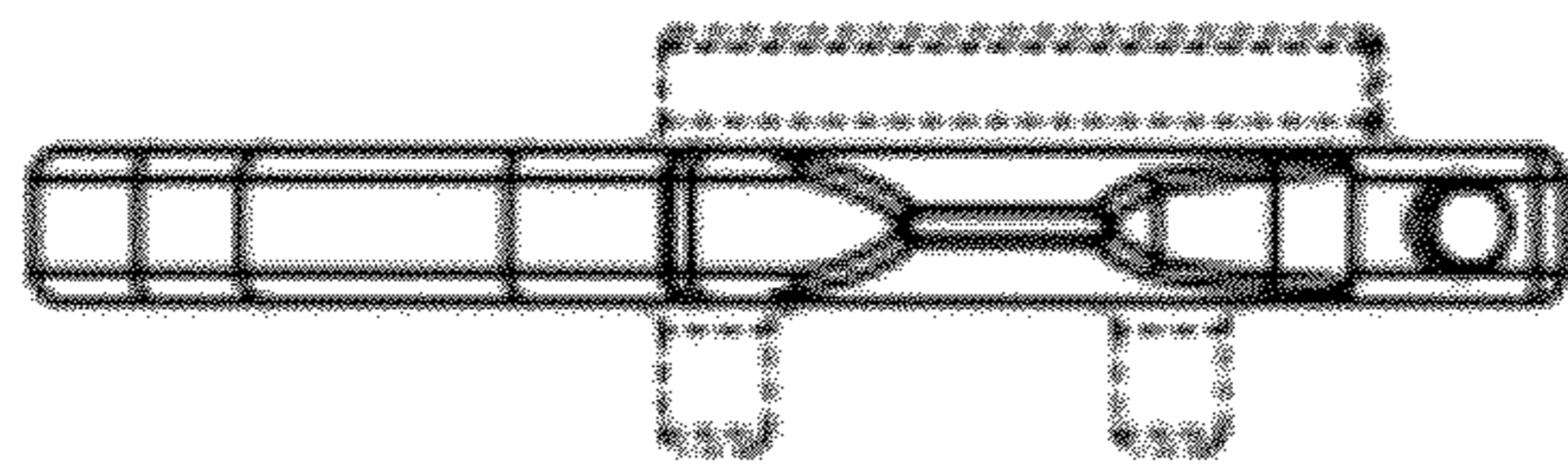


FIG. 13

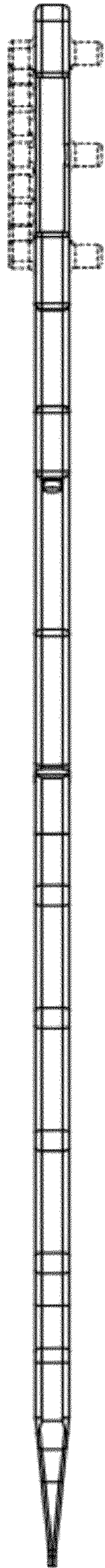


FIG. 14