



US00D666881S

(12) **United States Design Patent**
Iyer

(10) **Patent No.:** **US D666,881 S**
(45) **Date of Patent:** **** Sep. 11, 2012**

- (54) **MANDOLIN SLICER**
- (75) Inventor: **Bala Iyer**, Sparta, NJ (US)
- (73) Assignee: **Telebrands Corp.**, Fairfield, NJ (US)
- (**) Term: **14 Years**
- (21) Appl. No.: **29/398,959**
- (22) Filed: **Aug. 8, 2011**
- (51) **LOC (9) Cl.** **07-04**
- (52) **U.S. Cl.** **D7/672**
- (58) **Field of Classification Search** D7/672-677,
D7/678, 381, 382, 384, 669, 368, 372; 241/93,
241/94, 101.1, 37.5, 36, 273.1-237.4, 100,
241/285.1, 283, 285.2, 168, 169, 169.1; 99/537,
99/588; 83/651.1, 452, 437.2, 13, 167, 932,
83/857, 856, 247, 441.1, 437.7, 435.15, 425.3,
83/431, 356.2, 648
See application file for complete search history.

CN	101138466	3/2008
CN	2010033444	3/2008
CN	201069967	6/2008
CN	201082133	7/2008
CN	201101452	8/2008
CN	101524248	9/2009
CN	201384419	1/2010
CN	201456116	5/2010
CN	301248413	6/2010
CN	301248415	6/2010
CN	201872186	6/2011
HK	98108689	6/1998
HK	03116771	10/2003
HK	07006531	3/2007
HK	08023549	9/2008

OTHER PUBLICATIONS

- “Aroma AMN-100 Electric Mandolin Slicer”, 2 pages, <www.amazon.com>, Apr. 5, 2011.
- “Aroma Mandoline Electric Slicer”, 2 pages, <www.sears.com>, Apr. 5, 2011.
- “Asian Mandoline Slicer with Tray”, 1 page, <www.findgift.com>, Apr. 5, 2011.
- “Borner Combi-Chef”, 2 pages, <www.chefsresource.com>, Apr. 5, 2011.

(56) **References Cited**

U.S. PATENT DOCUMENTS

3,245,703	A	4/1966	Manly	
4,113,188	A *	9/1978	Belinkoff	241/37.5
4,169,793	A	10/1979	Lockshaw	
4,960,025	A	10/1990	Fitch	
D368,622	S *	4/1996	Izumi	D7/384
5,765,472	A	6/1998	Kim	
D420,547	S *	2/2000	Lallemant	D7/384
6,732,622	B2	5/2004	Vincent	
6,813,997	B1	11/2004	Lin	
D543,422	S *	5/2007	Kaposi	D7/674
7,331,538	B2	2/2008	Menze	
7,543,768	B2 *	6/2009	Cohen et al.	241/36
2007/0089577	A1 *	4/2007	Wong	83/13
2010/0180778	A1	7/2010	Walker et al.	

FOREIGN PATENT DOCUMENTS

CN	2182038	11/1994
CN	1151682	6/1997
CN	13333666	1/2002
CN	3361217	4/2004

(Continued)

Primary Examiner — Terry Wallace

(74) *Attorney, Agent, or Firm* — Cooper & Dunham LLP

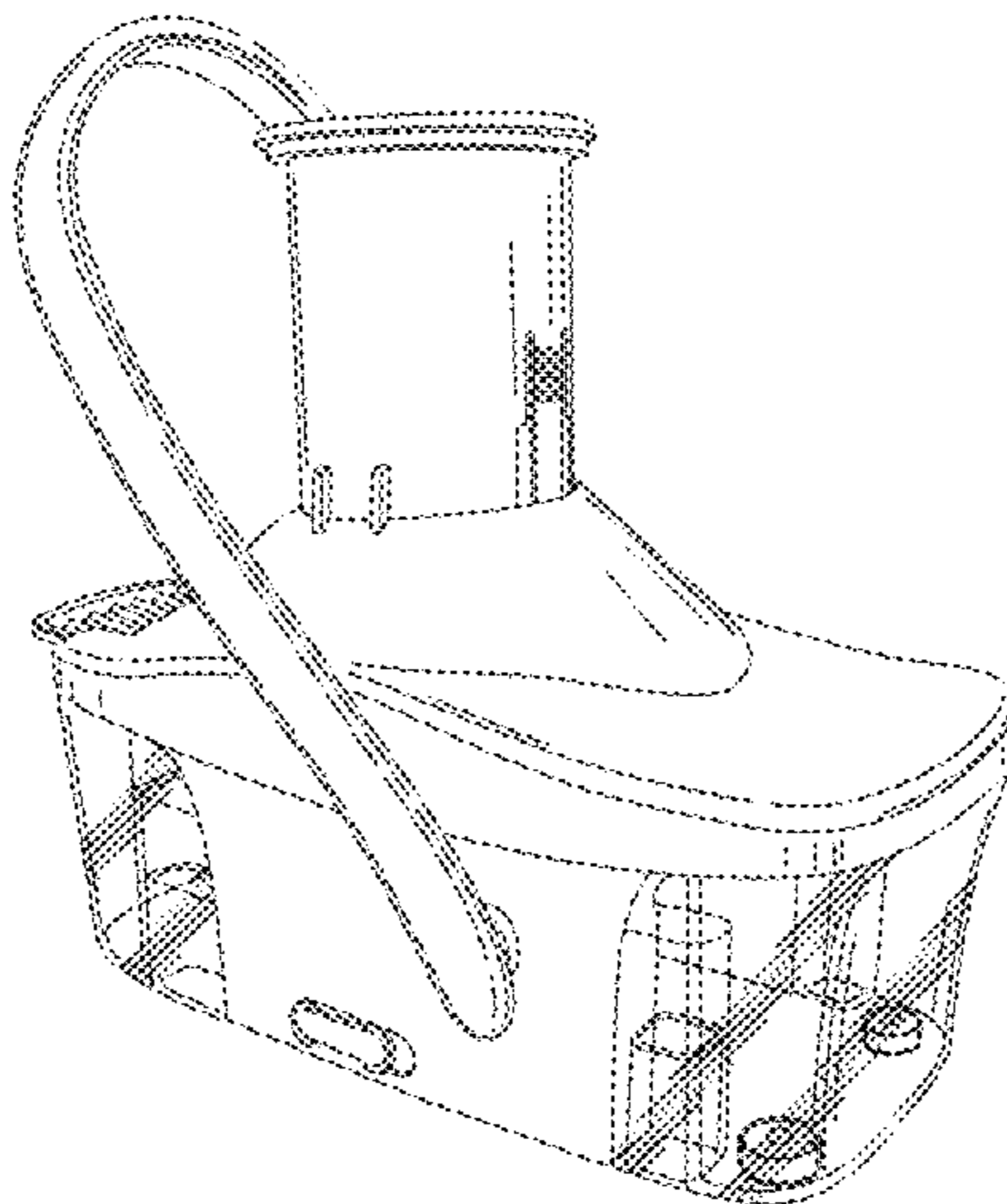
(57) **CLAIM**

The ornamental design for a mandolin slicer, as shown and described.

DESCRIPTION

- FIG. 1 is a perspective view thereof;
- FIG. 2 is a front view thereof;
- FIG. 3 is a rear view thereof;
- FIG. 4 is a side view thereof;
- FIG. 5 is the other side view thereof;
- FIG. 6 is a top view thereof; and,
- FIG. 7 is a bottom view thereof.

1 Claim, 7 Drawing Sheets



OTHER PUBLICATIONS

- “Chef’n® SleekSlice™ Collapsible Hand-Held Mandoline”, 1 page, <www.surlatable.com>, Apr. 5, 2011.
- “Cook Pro 646 White V-Shape Blade Mandolin Slicer with 5 Interchangeable Blades”, 1 page, <www.google.com>, Apr. 5, 2011.
- “Dolphin”, 1 page, <www.o-plus-living.com>, Jan. 1, 2011.
- “Dolphin Slicer”, 3 pages, <www.hktdc.com>, Apr. 5, 2011.
- “Dolphin Slicer”, 9 pages, product photographs, Apr. 8, 2011.
- “Dolphin Vegetable Slicer”, 5 pages, operation instructions and photographs, Jul. 2, 2010.
- “Electric Mandoline Slicer”, 4 pages, <www.diytrade.com>, Apr. 5, 2011.
- “Electric Mandoline Slicer”, 2 pages, <www.highel.com>, Apr. 5, 2011.
- “Electric Mandoline Slicer (FL-088)”, 1 page, <www.made-in-china.com>, Apr. 5, 2011.
- “Farberware Pro Speed Prep Mandoline Slicer”, 1 page, <www.amazon.com>, Apr. 5, 2011.
- “Kanekichi Slicer W/ Tray Benriner, Green”, 1 page, <www.amazon.com>, Apr. 5, 2011.
- “Kanekichi Slicer W/ Tray Benriner, Green”, 1 page, <www.metroplextrading.com>, Apr. 5, 2011.
- “KitchenAid Mandoline Slicer Set—Black”, 1 page, <www.amazon.com>, Apr. 5, 2011.
- “KitchenAid Mandoline Slicer”, 1 page, <www.chefscatalog.com>, Apr. 5, 2011.
- “Norpro Mandoline Slicer Grater with Guard”, 1 page, <www.amazon.com>, Apr. 5, 2011.
- “Oneida 55070 Mandolin Slicer”, 1 page, <www.google.com>, Apr. 5, 2011.
- “Oxo Good Grips Mandoline Slicer”, 1 page, <www.amazon.com>, Apr. 5, 2011.
- “Prago 01-0006 Vegetable/Cabbage 4" Slicer—Mandoline”, 1 page, Apr. 5, 2011.
- “Progressive 7pc Fruit Vegetable Chopper Slicer Dice”, 2 pages, <compare.ebay.com>, Apr. 5, 2011.
- “Progressive Tower Slicer”, 1 page, <www.target.com>, Apr. 5, 2011.
- “Progressive Vegetable Cutter”, 1 page, <www.timesavingtools.com>, Apr. 5, 2011.
- “Progressive Tower Slicer & Hedger with 3 Blades”, 2 pages, <www.qvc.com>, Apr. 5, 2011.
- “Quick Slice Julienne Mandoline & Container”, 1 page, <www.kuhnrikon.com>, Apr. 5, 2011.
- “Quick Slice Mandoline + Container”, 1 page, <www.kuhnrikon.com>, Apr. 5, 2011.
- “rkint-hk.com”, 1 page, <www.google.com>, Apr. 5, 2011.
- “Slice Your Prep Time in Half With SliceOMatic!”, 2 pages, <telebrands.com>, 2010.
- “Swissmar Multi Slicer”, 1 page, <www.williams-sonoma.com>, Apr. 5, 2011.
- “Vegetable Chop & Measure”, 1 page, <www.williams-sonoma.com>, Apr. 5, 2011.
- “Wholesale—Electric Mandoline Slicer Double Blade Mandolin—New 5 pcs FFF”, 1 page, <www.dhgate.com>, Apr. 5, 2011.

* cited by examiner

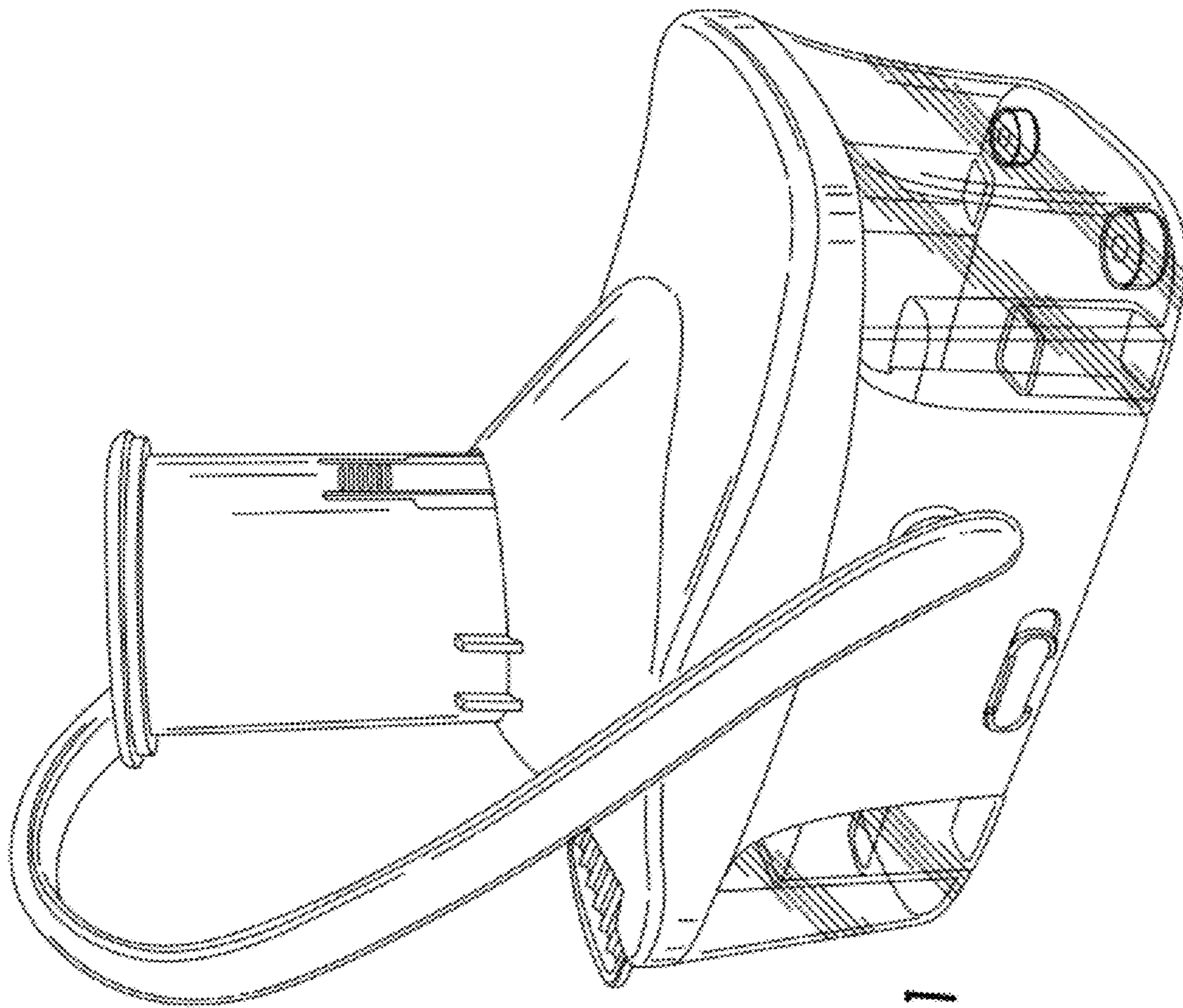


FIG. 1

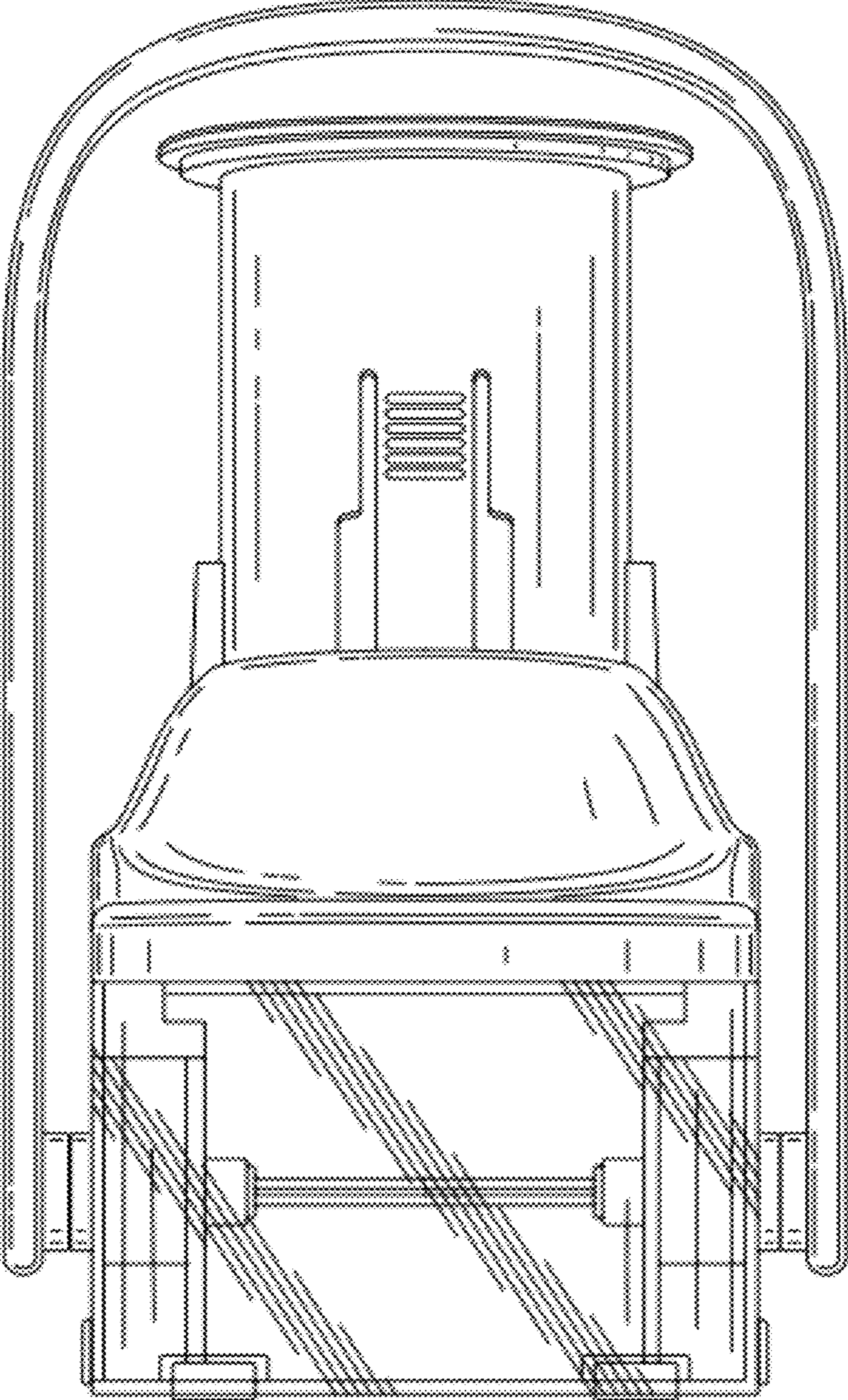


FIG. 2

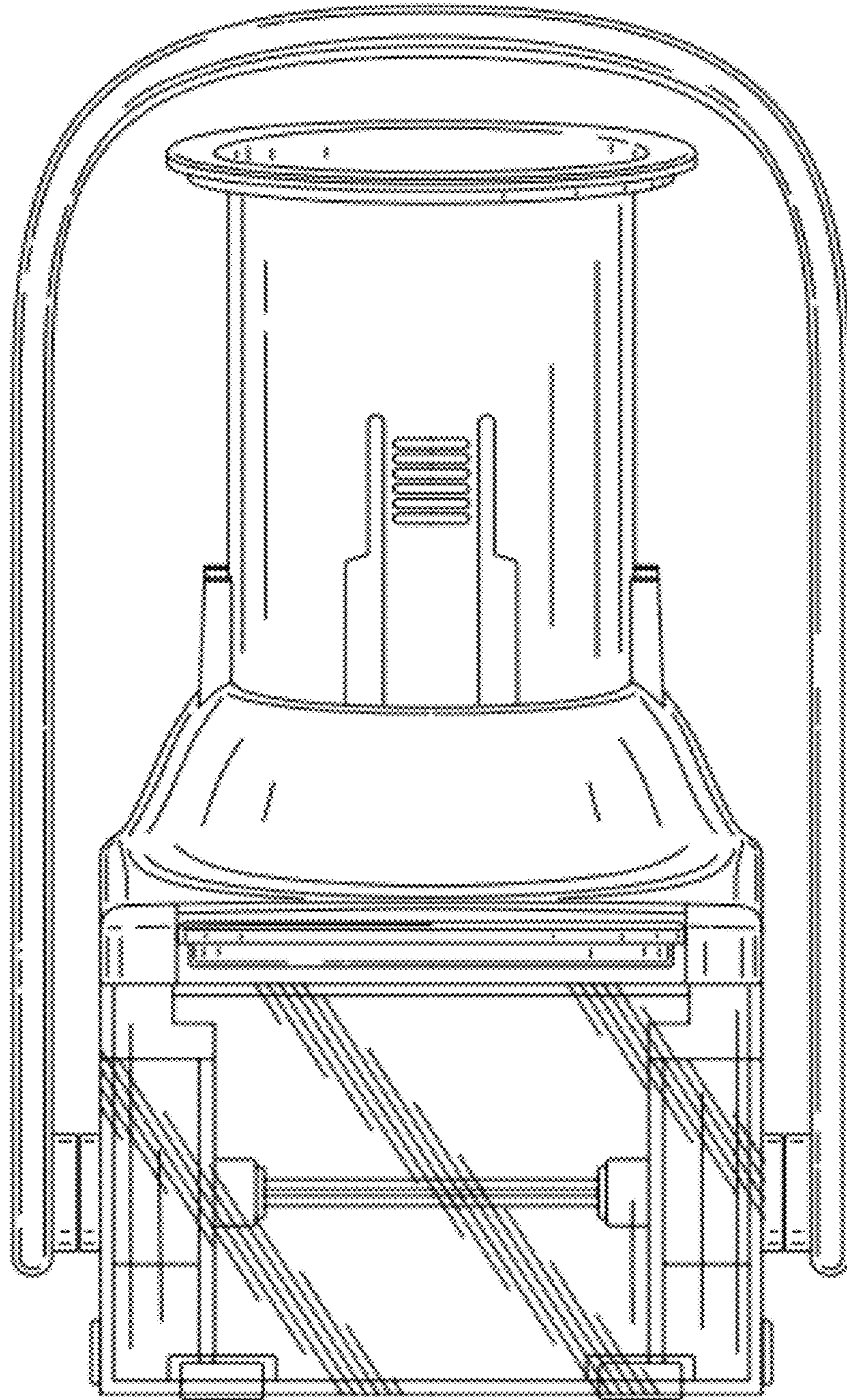


FIG. 3

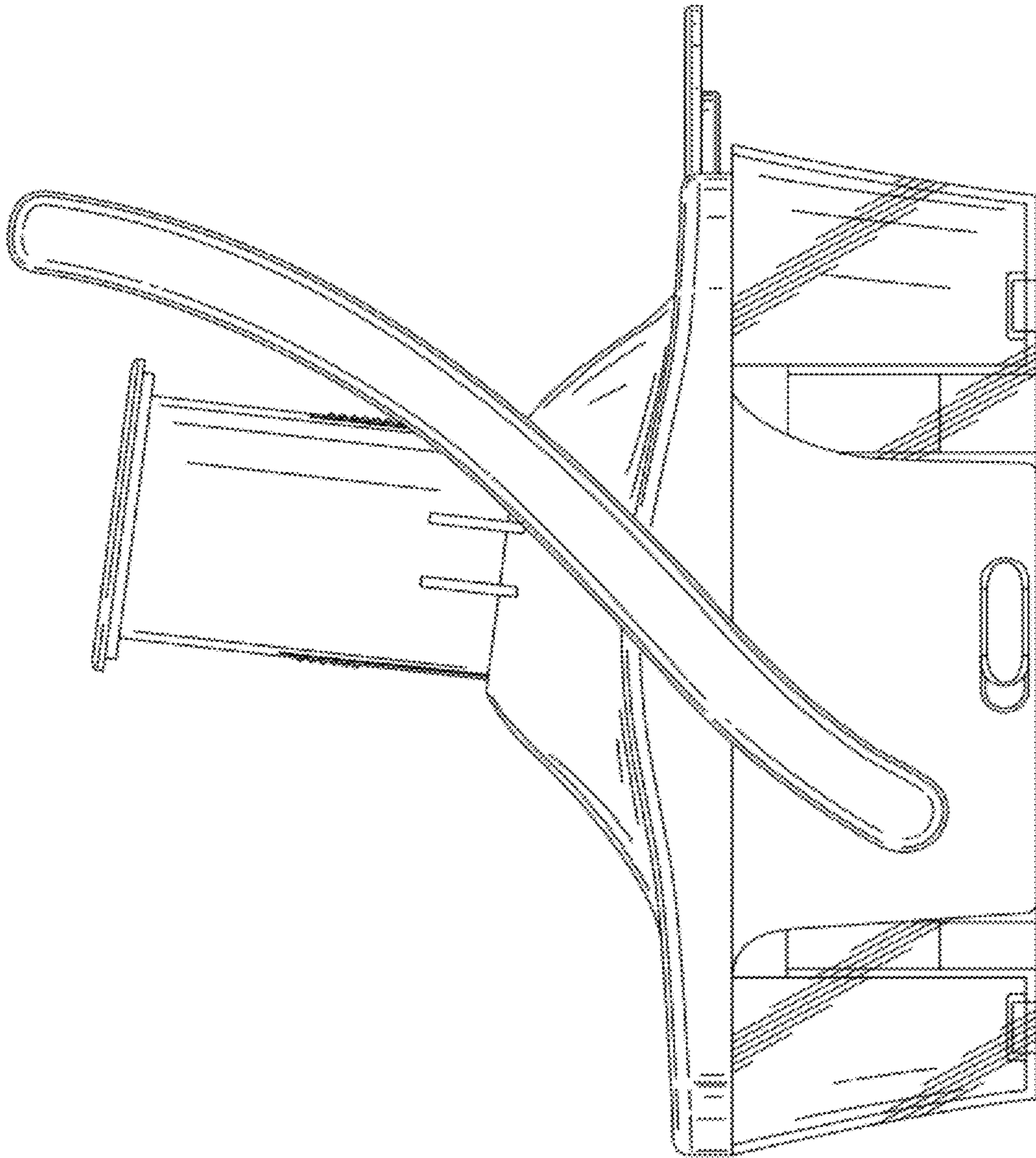


FIG. 4

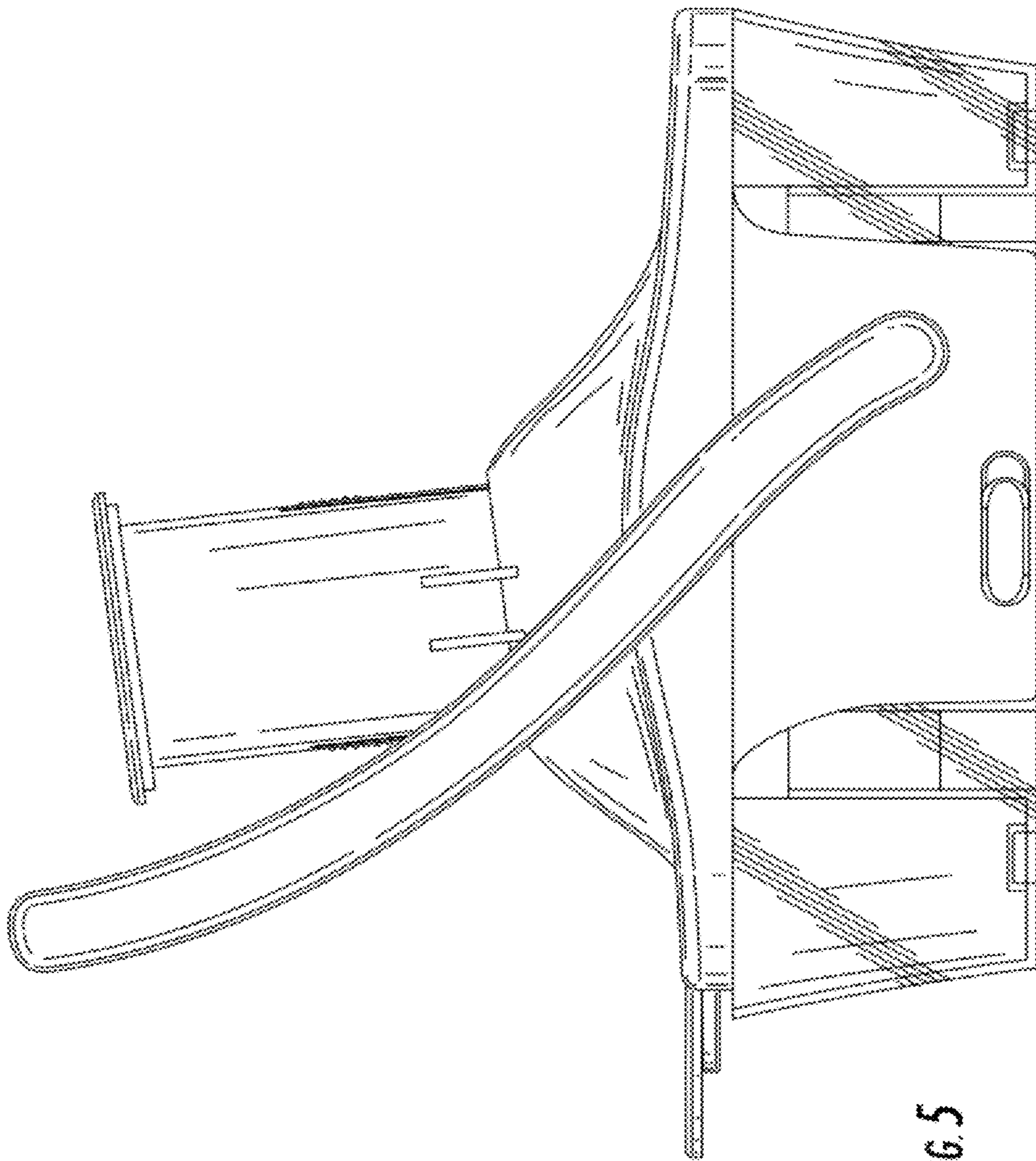


FIG. 5

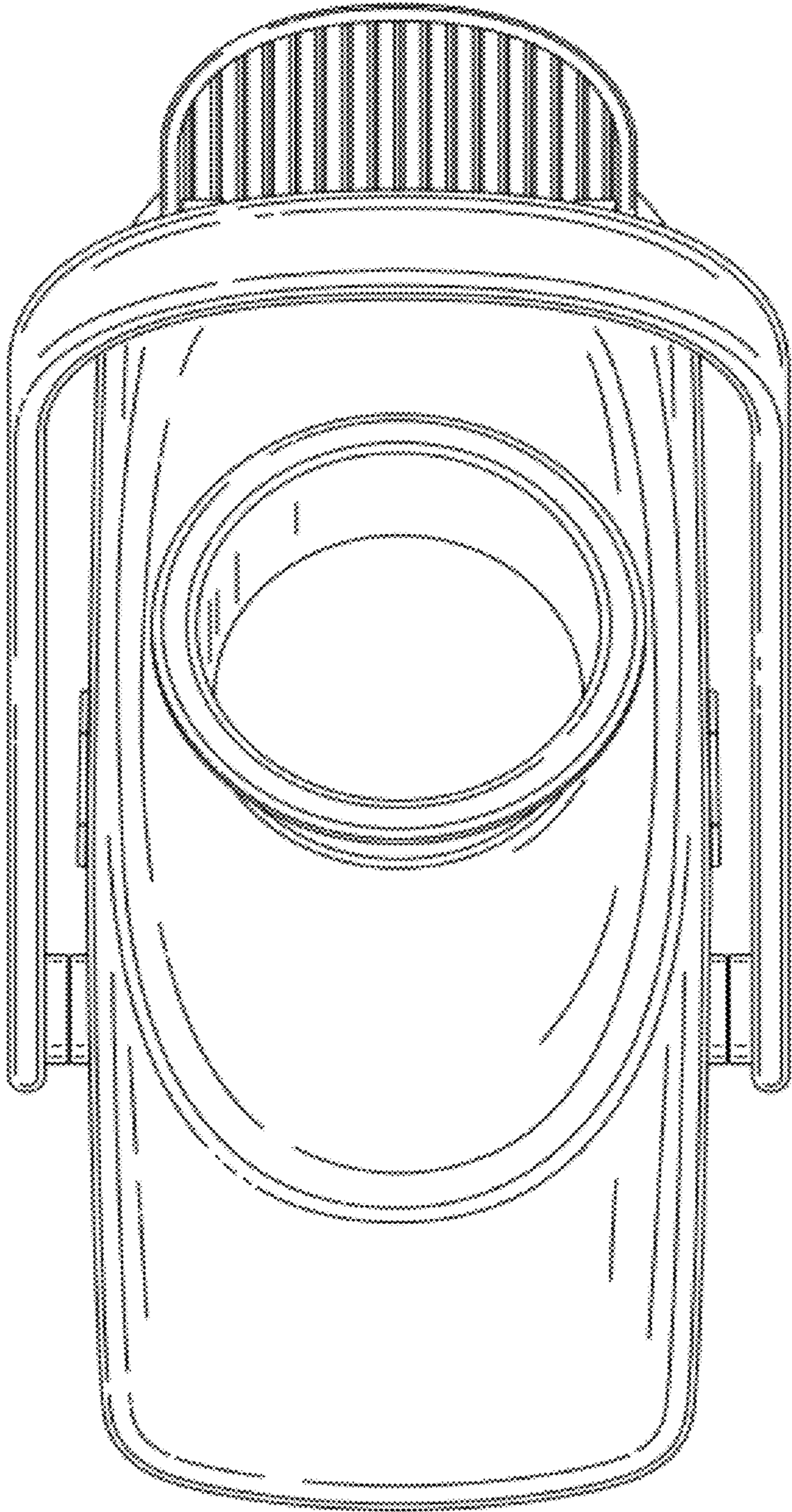


FIG. 6

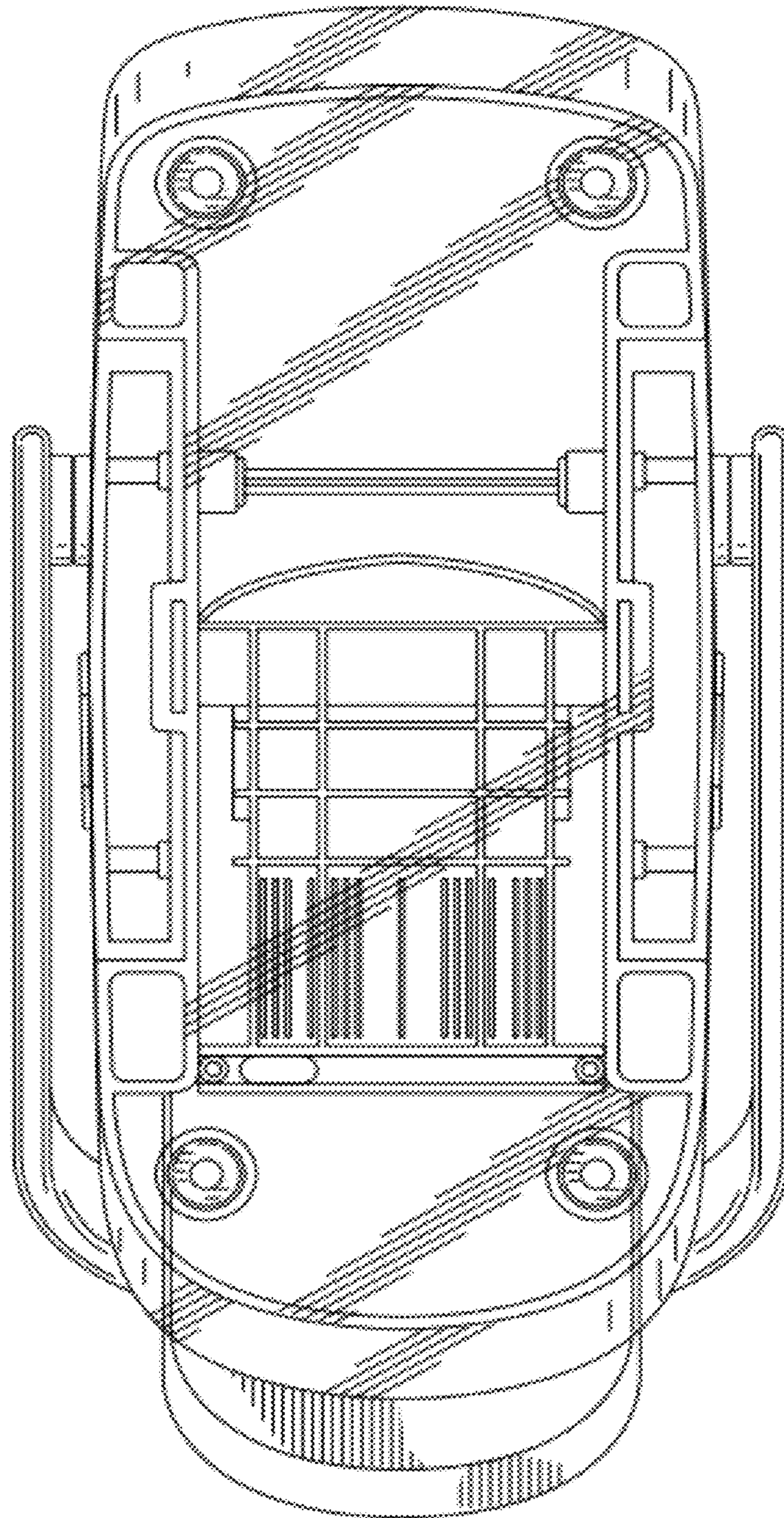


FIG. 7