



US00D666879S

(12) **United States Design Patent**
Everson

(10) **Patent No.:** **US D666,879 S**
(45) **Date of Patent:** **** Sep. 11, 2012**

(54) **CONTAINER HAVING MULTIPLE STORAGE COMPARTMENTS**

(75) Inventor: **Keith S. Everson**, Hartford, WI (US)

(73) Assignee: **Sussex IM, Inc.**, Sussex, WI (US)

(**) Term: **14 Years**

(21) Appl. No.: **29/406,126**

(22) Filed: **Nov. 10, 2011**

Related U.S. Application Data

(63) Continuation of application No. 13/239,049, filed on Sep. 21, 2011, which is a continuation-in-part of application No. 12/963,469, filed on Dec. 8, 2010, which is a continuation-in-part of application No. 12/822,688, filed on Jun. 24, 2010.

(51) **LOC (9) Cl.** **07-07**

(52) **U.S. Cl.** **D7/629**

(58) **Field of Classification Search** D7/601, D7/602, 612-615, 629, 630, 538-542; D3/201, D3/203.1-203.8, 204-206, 273, 274, 294; 220/839, 837, 836, 324, 315, 810, 780-802, 220/675, 574-575, 573.1, 326, 236, 4.21, 220/4.24

See application file for complete search history.

(56) **References Cited**

U.S. PATENT DOCUMENTS

3,900,106 A	8/1975	Cantales
D241,820 S	10/1976	Jewell
4,303,176 A	12/1981	Swartzbaugh
4,401,229 A	8/1983	Bell et al.
D278,412 S	4/1985	Yeung
4,951,866 A	8/1990	Rusnak
4,971,220 A	11/1990	Kaufman et al.
5,012,928 A	5/1991	Proffitt et al.
D327,220 S	6/1992	Proffitt et al.
5,204,130 A	4/1993	McDevitt et al.
5,300,748 A	4/1994	Colombo
D354,435 S	1/1995	Krupa

5,474,199 A	12/1995	Julius et al.
D367,211 S *	2/1996	Cautereels D7/629
5,906,292 A	5/1999	Rider, Jr.
5,920,916 A	7/1999	Norton
5,938,068 A	8/1999	Atkins et al.
5,960,987 A	10/1999	Solland et al.
6,042,000 A	3/2000	Kawamoto
6,102,231 A	8/2000	Rider, Jr. et al.

(Continued)

FOREIGN PATENT DOCUMENTS

WO WO 89/03351 4/1989

(Continued)

OTHER PUBLICATIONS

U.S. Appl. No. 29/406,115, filed Nov. 10, 2011, Everson.

(Continued)

Primary Examiner — Terry Wallace

(74) *Attorney, Agent, or Firm* — Reinhart Boerner Van Deuren P.C.

(57) **CLAIM**

I claim the ornamental design for the container having multiple storage compartments, as shown and described.

DESCRIPTION

FIG. 1 is a top perspective view of the container having multiple storage compartments:

FIG. 2 is a top perspective view thereof in an open configuration;

FIG. 3 is a bottom perspective view thereof;

FIG. 4 is a side view thereof;

FIG. 5 is a back view thereof;

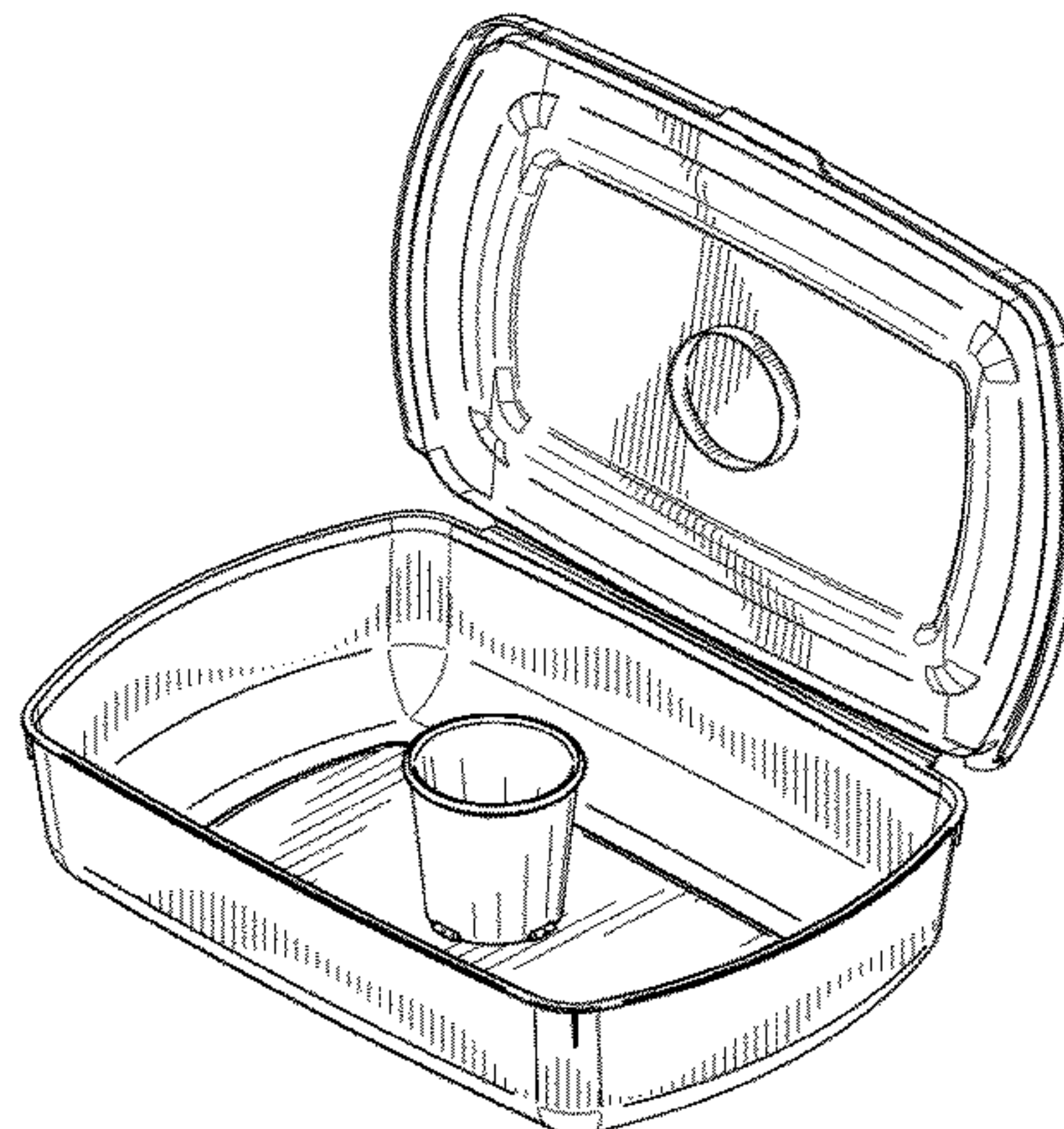
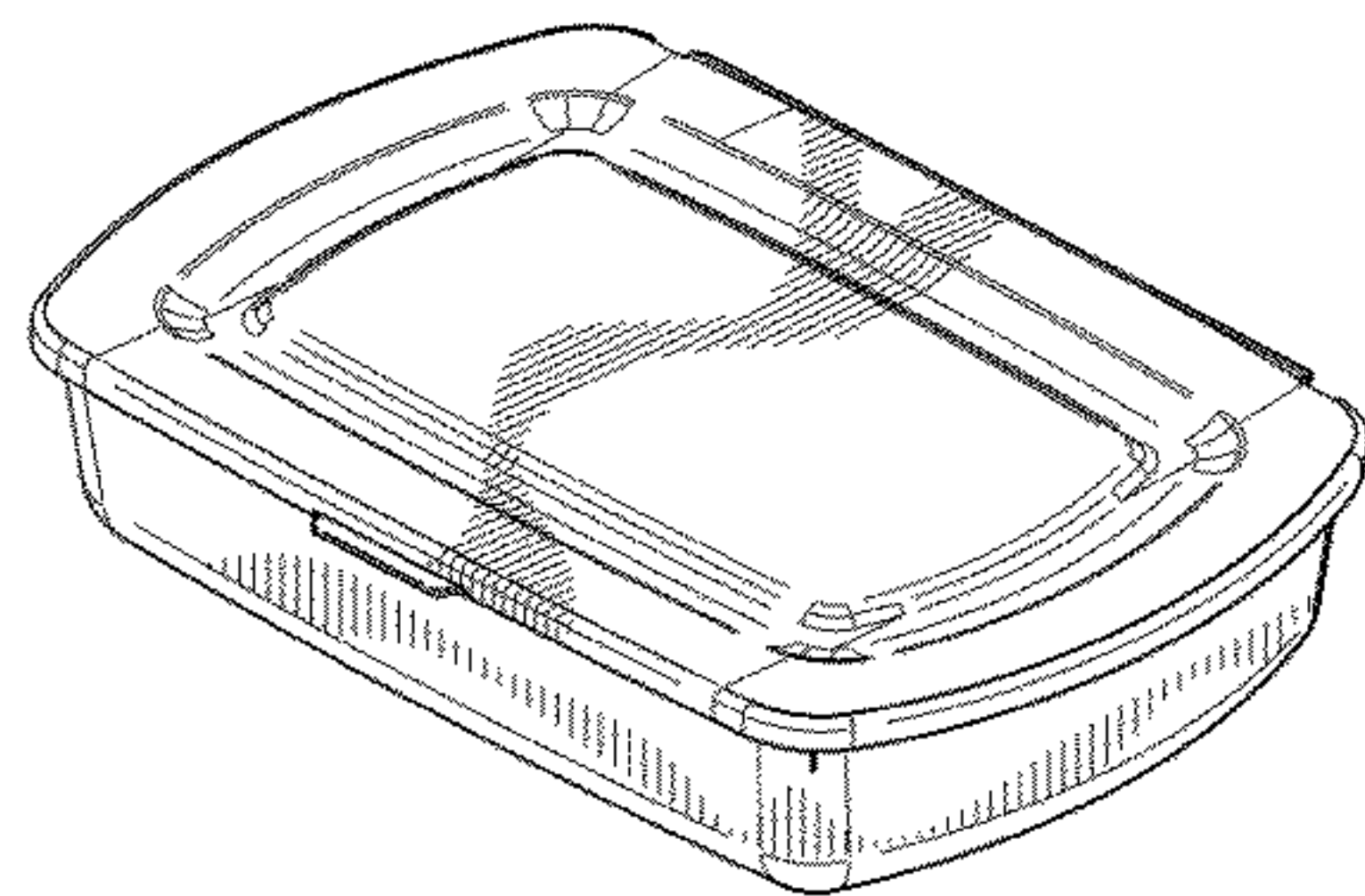
FIG. 6 is a side view thereof showing the side opposite that shown in FIG. 4

FIG. 7 is a top view thereof;

FIG. 8 is a front view thereof; and,

FIG. 9 is a bottom view thereof.

1 Claim, 5 Drawing Sheets



US D666,879 S

Page 2

U.S. PATENT DOCUMENTS

6,164,488 A 12/2000 Solland et al.
6,176,420 B1 1/2001 Sarson et al.
D457,428 S 5/2002 Fowler et al.
6,409,034 B2 6/2002 Schorner
6,550,630 B1 * 4/2003 Krupa 220/575
6,554,147 B1 4/2003 Maida, Jr. et al.
6,592,504 B2 7/2003 Sarson et al.
6,609,623 B2 8/2003 Chou
D484,797 S 1/2004 Kipperman et al.
D489,254 S 5/2004 Kocis et al.
6,758,390 B2 7/2004 Sarson et al.
D495,209 S 8/2004 Tranfaglia et al.
6,793,096 B1 * 9/2004 Seok 220/788
6,955,289 B2 10/2005 Green
6,962,263 B2 11/2005 Cadiente et al.
6,981,607 B2 1/2006 Lown et al.
7,090,089 B2 * 8/2006 Lown et al. 220/324
7,104,416 B2 9/2006 Gasco et al.
7,246,714 B2 7/2007 Garg et al.
D551,515 S 9/2007 Ablo et al.
7,284,673 B2 10/2007 Habeger et al.
D562,128 S 2/2008 van de Velde
D571,617 S * 6/2008 Di Serio et al. D7/629
7,398,892 B2 7/2008 Bouie
7,398,893 B2 7/2008 Bouie
D577,579 S 9/2008 Lymn et al.
7,419,067 B2 9/2008 Bouie et al.

D585,735 S 2/2009 Vovan et al.
D587,993 S 3/2009 Vovan
D591,148 S 4/2009 Parikh et al.
7,597,206 B2 10/2009 Atkins et al.
D618,516 S * 6/2010 DiPietro et al. D7/629
D631,299 S * 1/2011 Samartgis D7/602
D633,756 S * 3/2011 Bago et al. D7/629
2003/0010783 A1 * 1/2003 Prezelin 220/324
2004/0134910 A1 7/2004 Colombo
2004/0211823 A1 10/2004 Sarson et al.
2005/0035125 A1 * 2/2005 Bae 220/326
2007/0012710 A1 1/2007 Vovan
2007/0045317 A1 3/2007 Rosender et al.
2009/0134180 A1 5/2009 Kidd et al.
2009/0223969 A1 9/2009 Bouie
2011/0315701 A1 12/2011 Everson
2011/0315704 A1 12/2011 Everson
2012/0012602 A1 1/2012 Everson

FOREIGN PATENT DOCUMENTS

WO WO 91/07329 5/1991

OTHER PUBLICATIONS

U.S. Appl. No. 29/406,121, filed Nov. 10, 2011, Everson.

U.S. Appl. No. 29/406,129, filed Nov. 10, 2011, Everson.

* cited by examiner

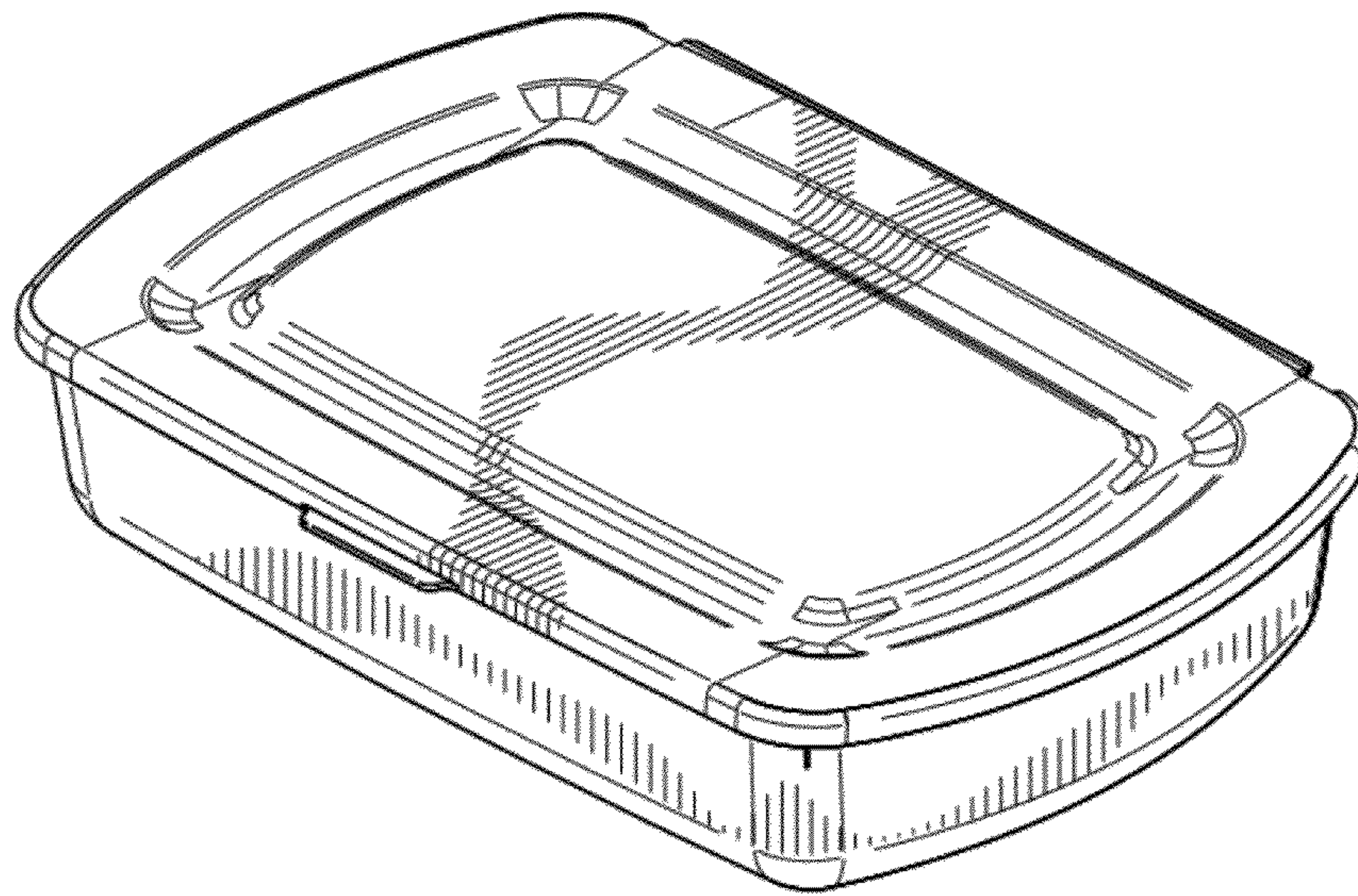


FIG. 1

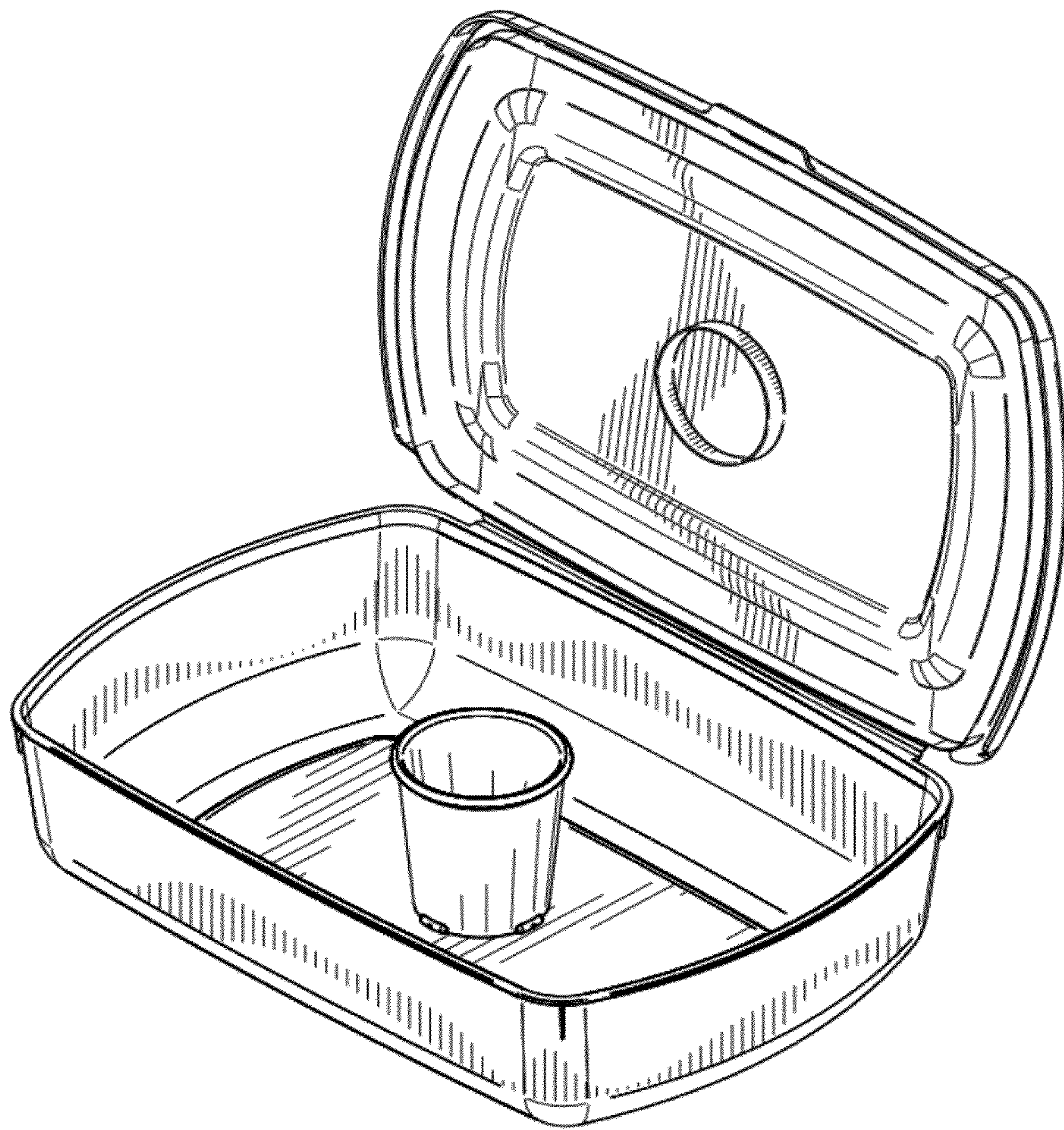


FIG. 2

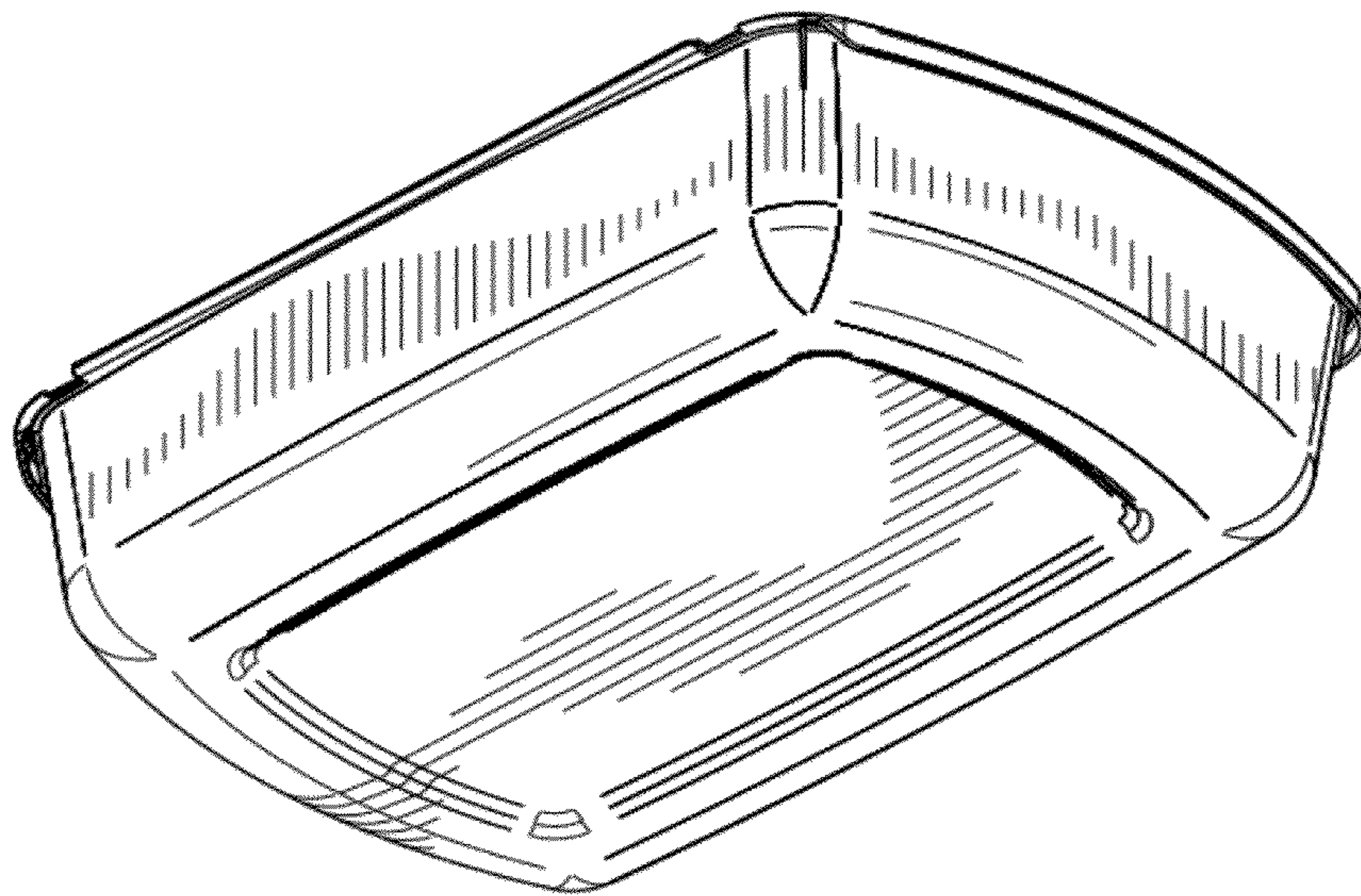


FIG. 3

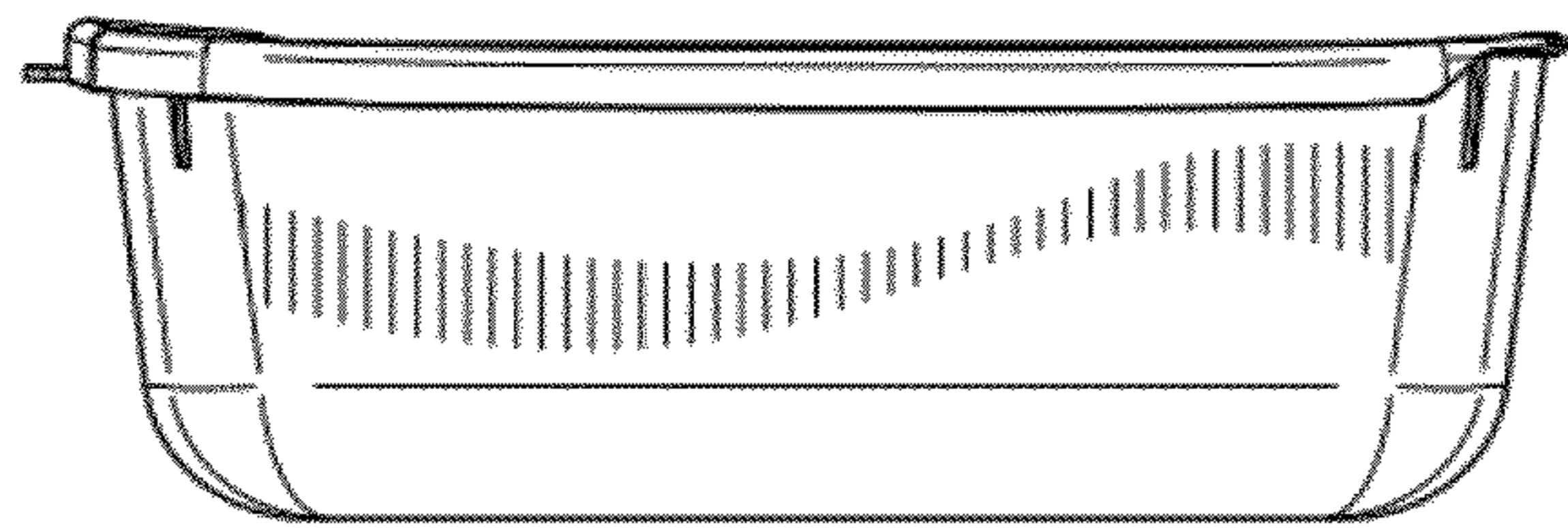


FIG. 4

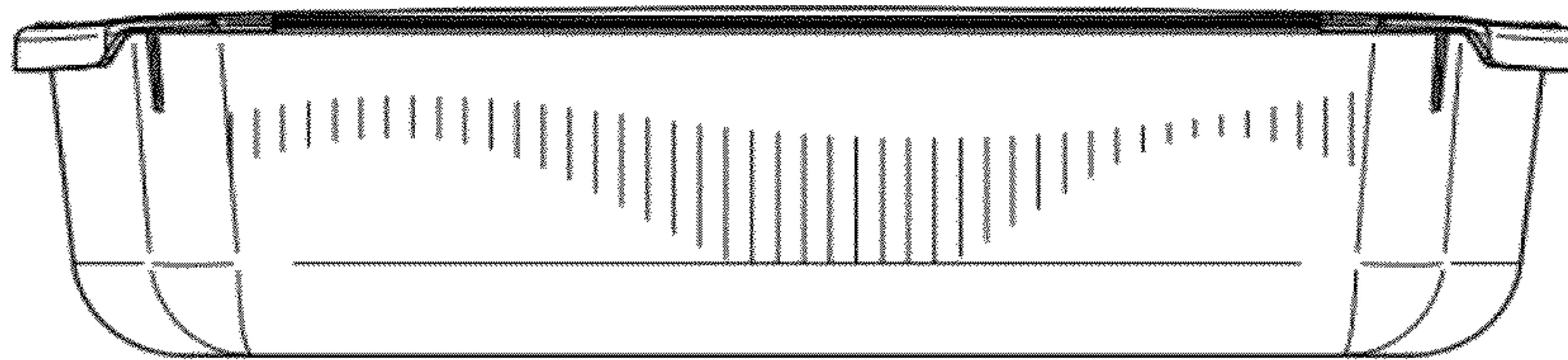


FIG. 5

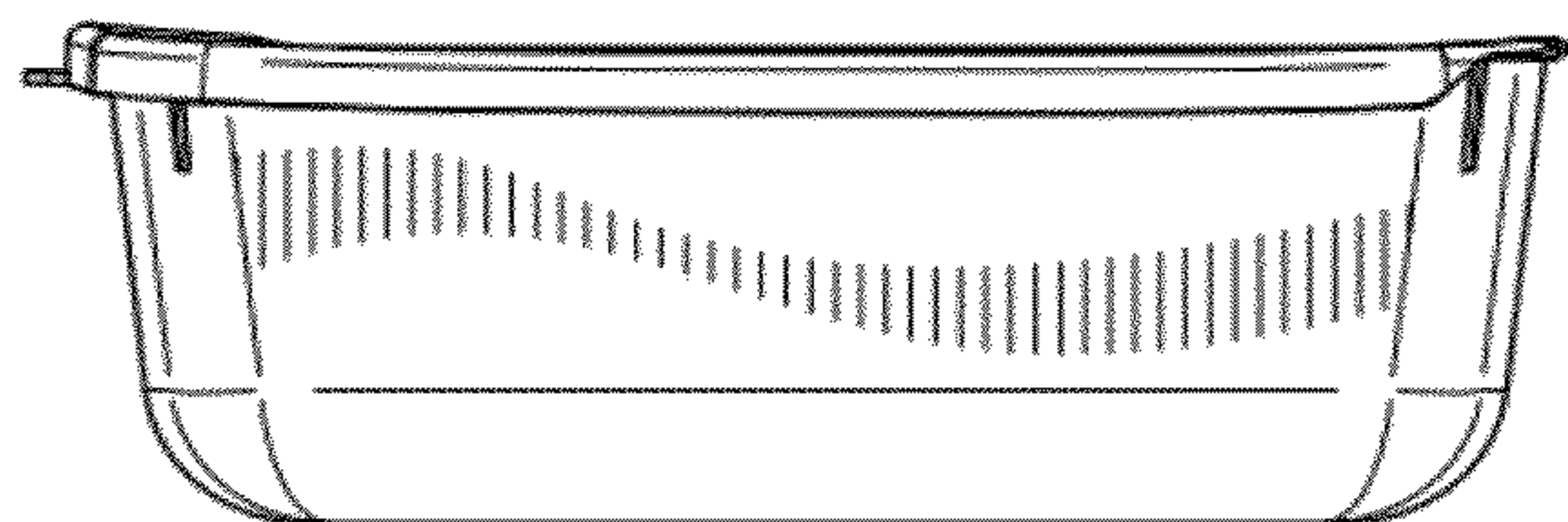


FIG. 6

FIG. 7

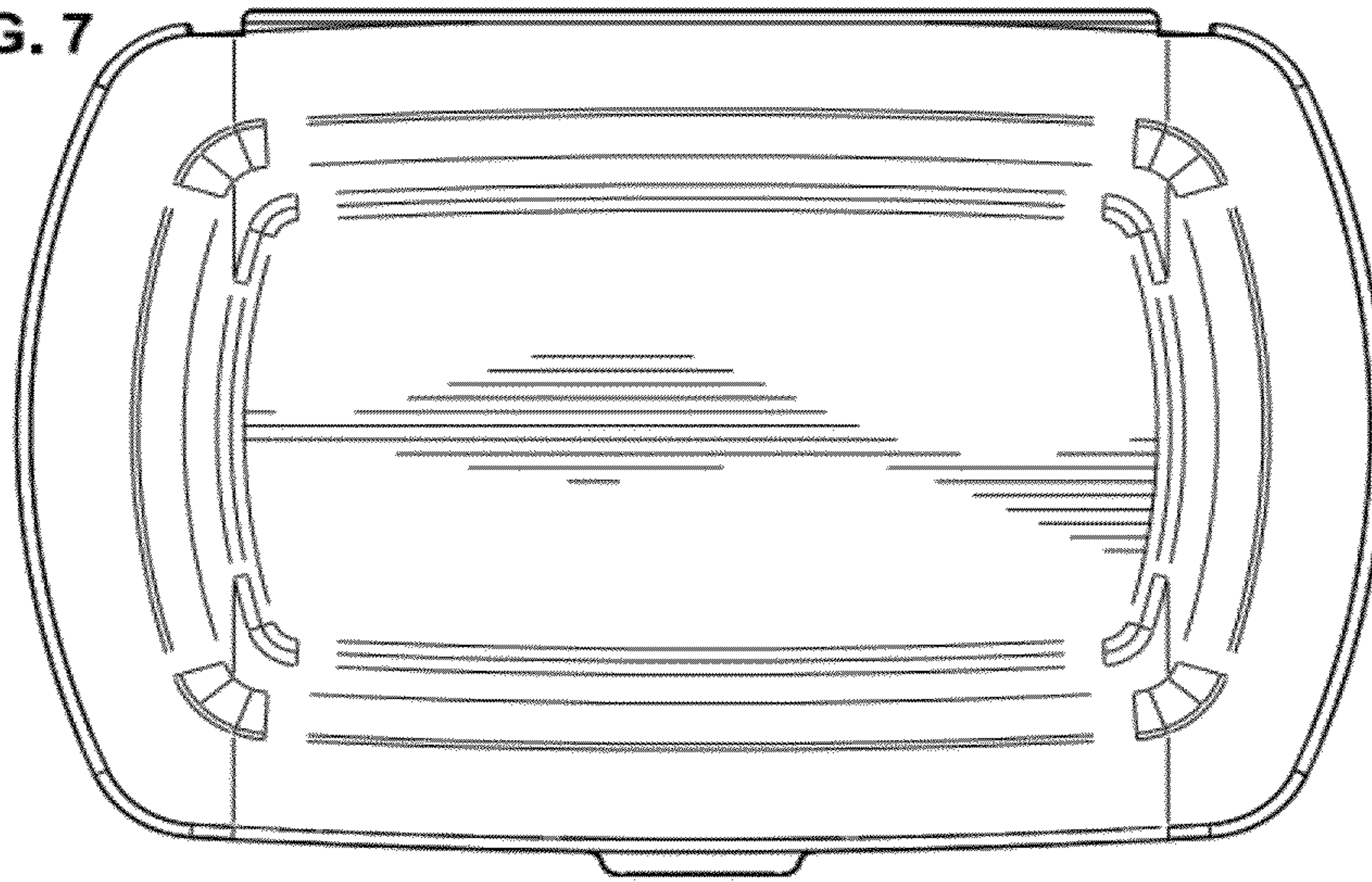


FIG. 8

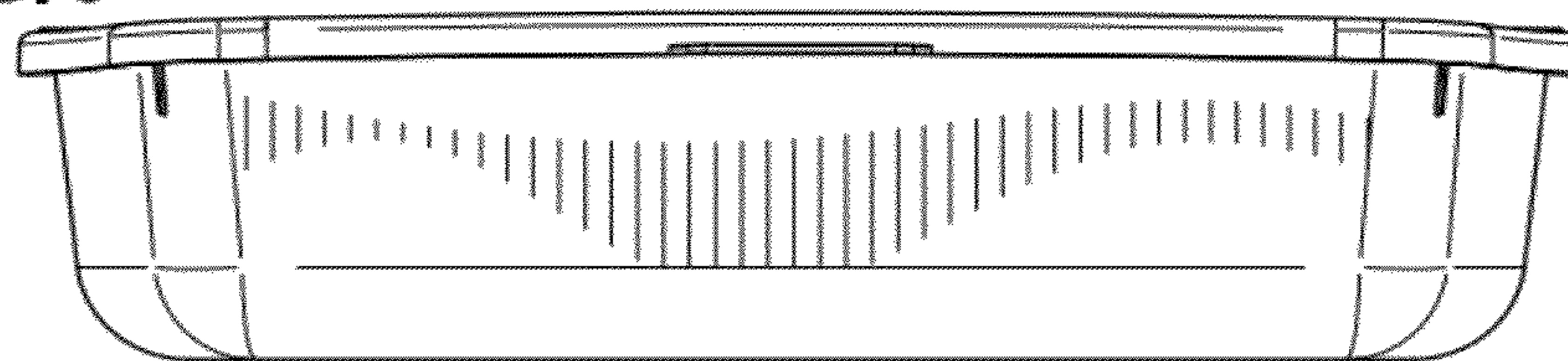


FIG. 9

