

US00D666878S

(12) **United States Design Patent**
Siegel

(10) **Patent No.:** **US D666,878 S**

(45) **Date of Patent:** **** Sep. 11, 2012**

(54) **FOOD CONTAINER**

Primary Examiner — Terry Wallace

(75) Inventor: **Cynthia Lynn Siegel**, Pleasant Hill, CA
(US)

(57) **CLAIM**
The ornamental design for a food container, as shown and described.

(73) Assignee: **Cynthia Lynn Siegel**, Concord, CA
(US)

DESCRIPTION

(**) Term: **14 Years**

FIG. 1 is an exploded top perspective view of a food container with removable a divider

(21) Appl. No.: **29/374,444**

FIG. 2 is an exploded bottom perspective view thereof;

(22) Filed: **Aug. 13, 2011**

FIG. 3 is a front elevational view of a cover thereof, the rear elevational view being a mirror image thereof;

(51) **LOC (9) Cl.** **07-07**

FIG. 4 is a right side elevational view of a cover thereof, the left side elevational view being a mirror image thereof;

(52) **U.S. Cl.** **D7/629**

FIG. 5 is a front elevational view of a divider thereof, the rear elevational view being a mirror image thereof;

(58) **Field of Classification Search** D7/601,

D7/602, 629, 630, 538-542; D3/281, 282,

D3/294, 304, 307, 201-206, 273, 274; D9/424-432;

220/669-673, 675, 574-575, 573.1, 660,

220/260, 288, 780-806, 4.21, 4.24, 326,

220/236; 229/107, 120, 406, 125.17

See application file for complete search history.

FIG. 6 is a ride side elevational view of a divider thereof, the left side elevational view being a mirror image thereof;

FIG. 7 is a front elevational view of a container thereof, the rear elevational view being a mirror image thereof;

FIG. 8 is a right side elevational view of a container thereof, the left side elevational view being a mirror image thereof;

FIG. 9 is a top plan view of a cover thereof;

FIG. 10 is a bottom view of a cover thereof;

FIG. 11 is a top plan view of a divider thereof, the bottom view being a mirror image thereof;

FIG. 12 is a top plan view of a container thereof; and,

FIG. 13 is a bottom plan view of a container thereof.

(56) **References Cited**

U.S. PATENT DOCUMENTS

5,004,103 A * 4/1991 Connors et al. 206/372

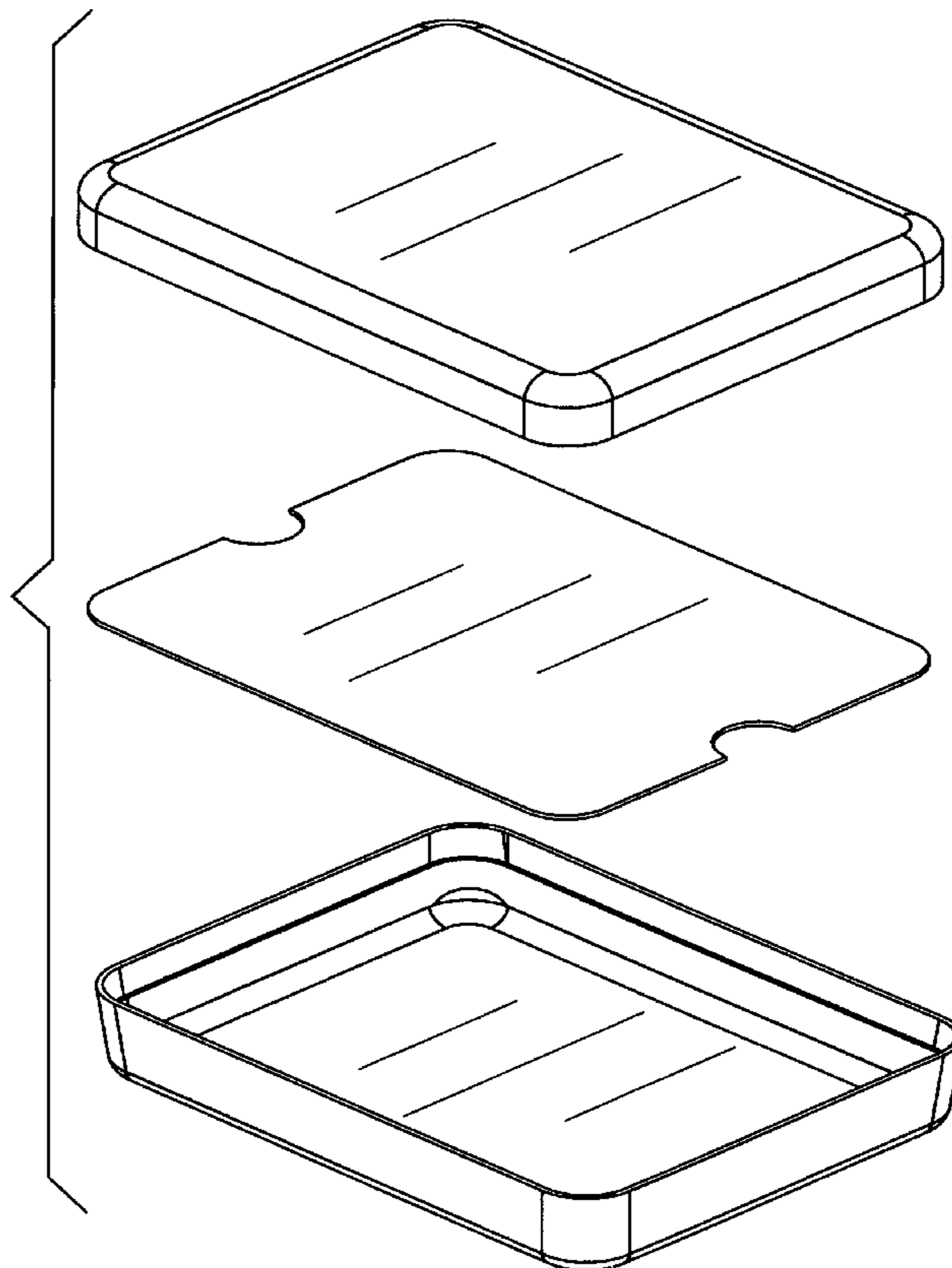
D566,484 S * 4/2008 George D7/629

D571,617 S * 6/2008 Di Serio et al. D7/629

D597,383 S * 8/2009 Masterton et al. D7/629

* cited by examiner

1 Claim, 6 Drawing Sheets



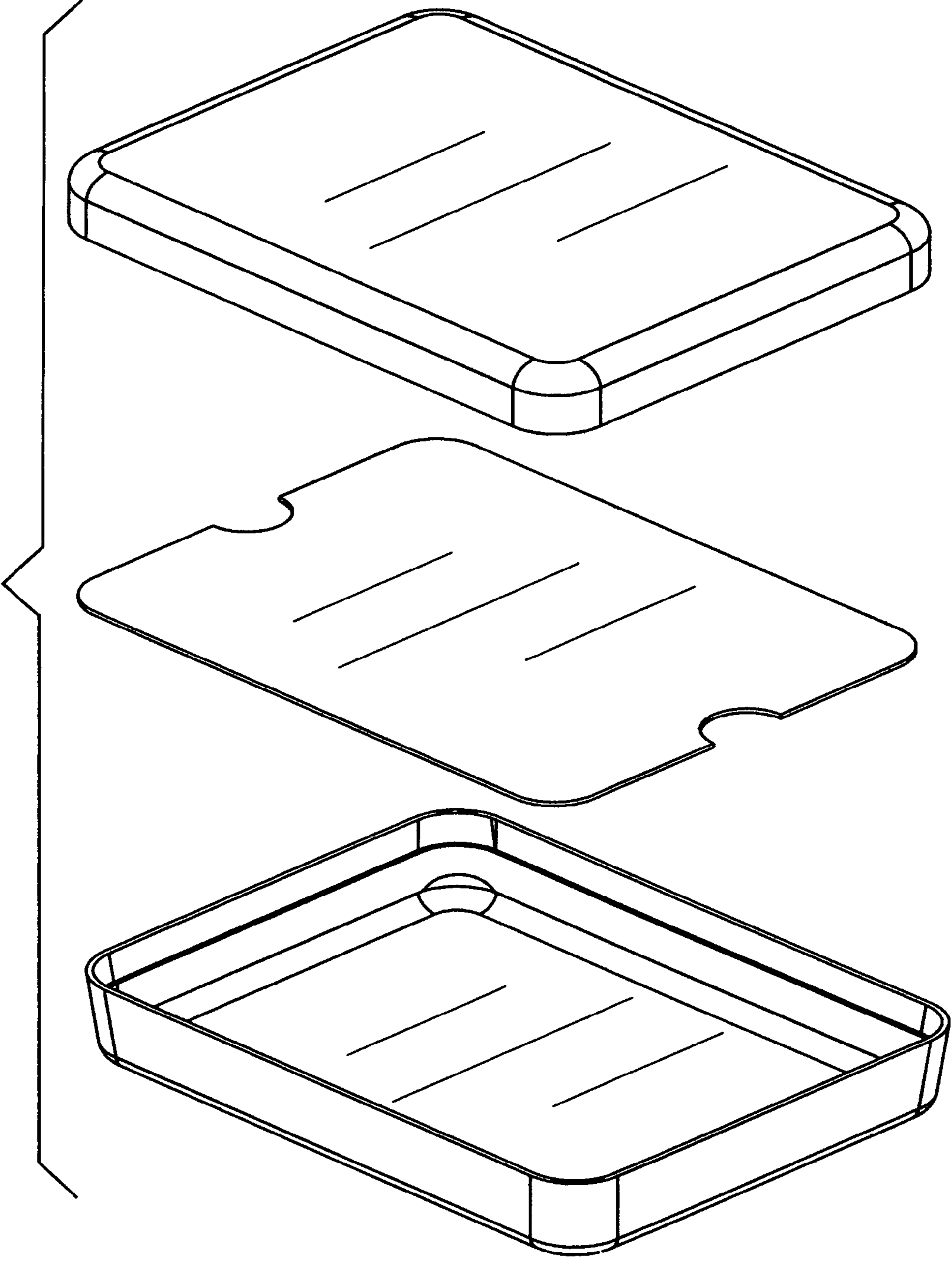


FIG. 1

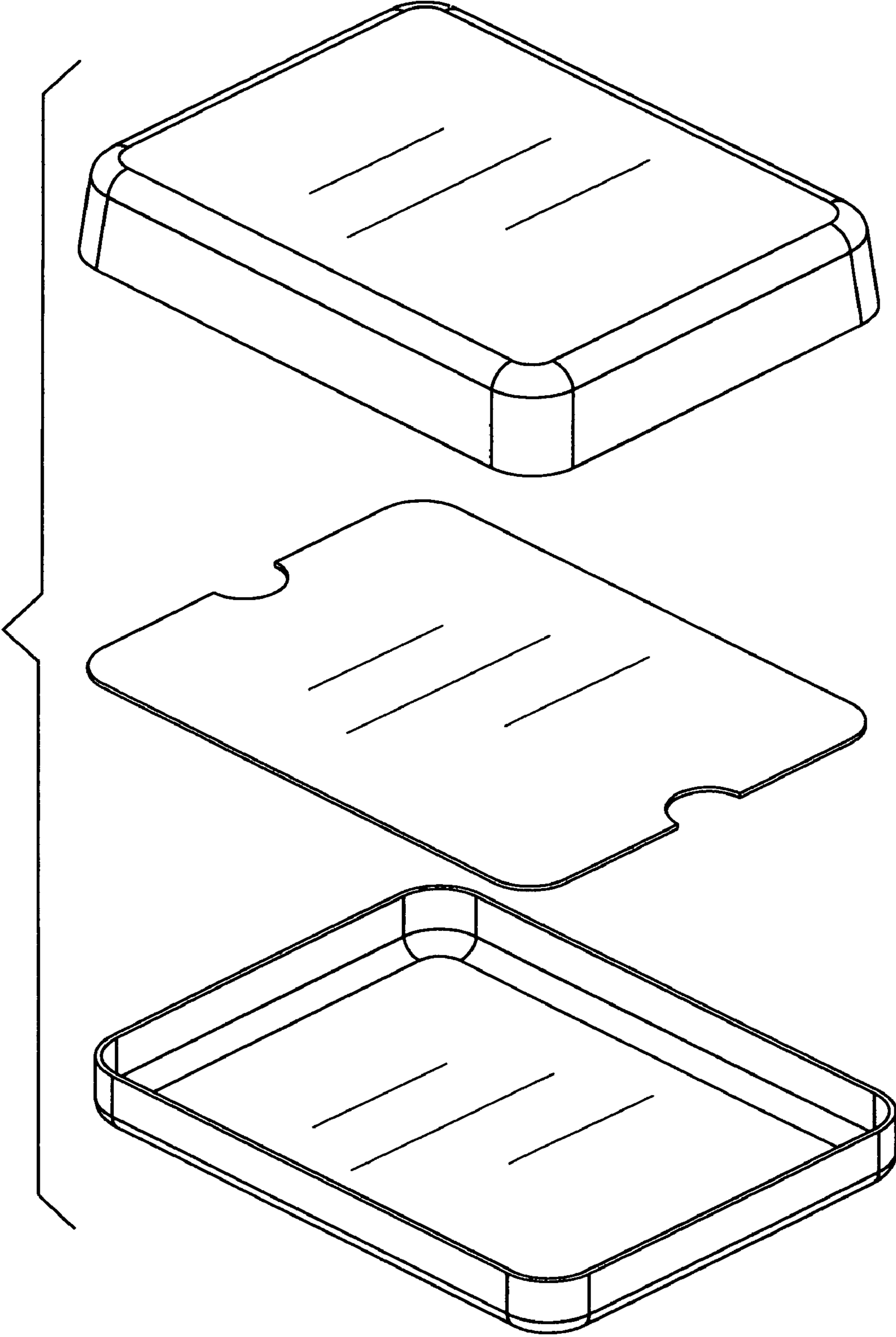


FIG. 2

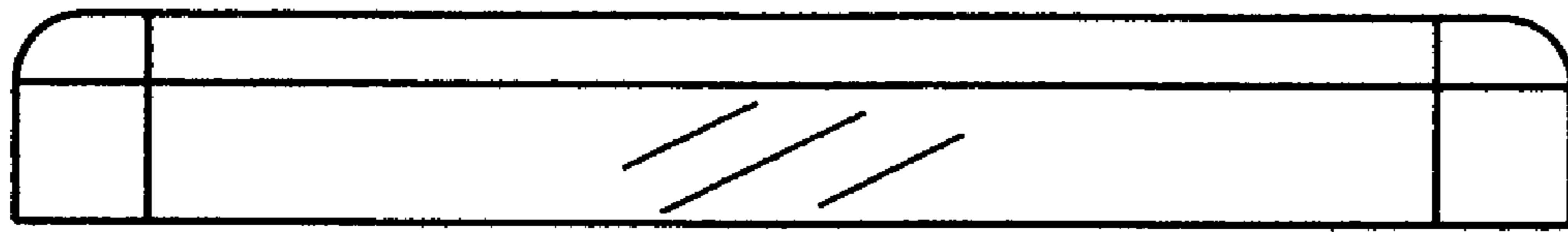


FIG. 3

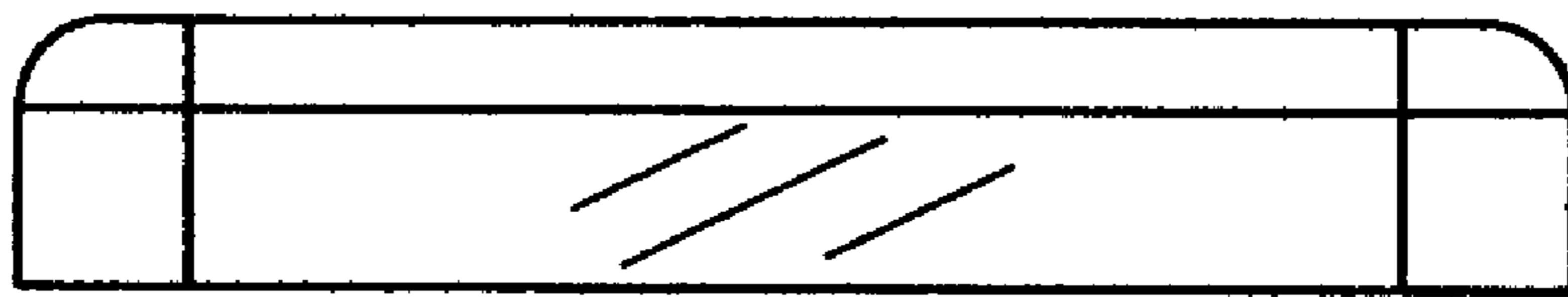


FIG. 4



FIG. 5

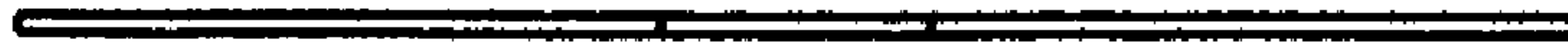


FIG. 6



FIG. 7

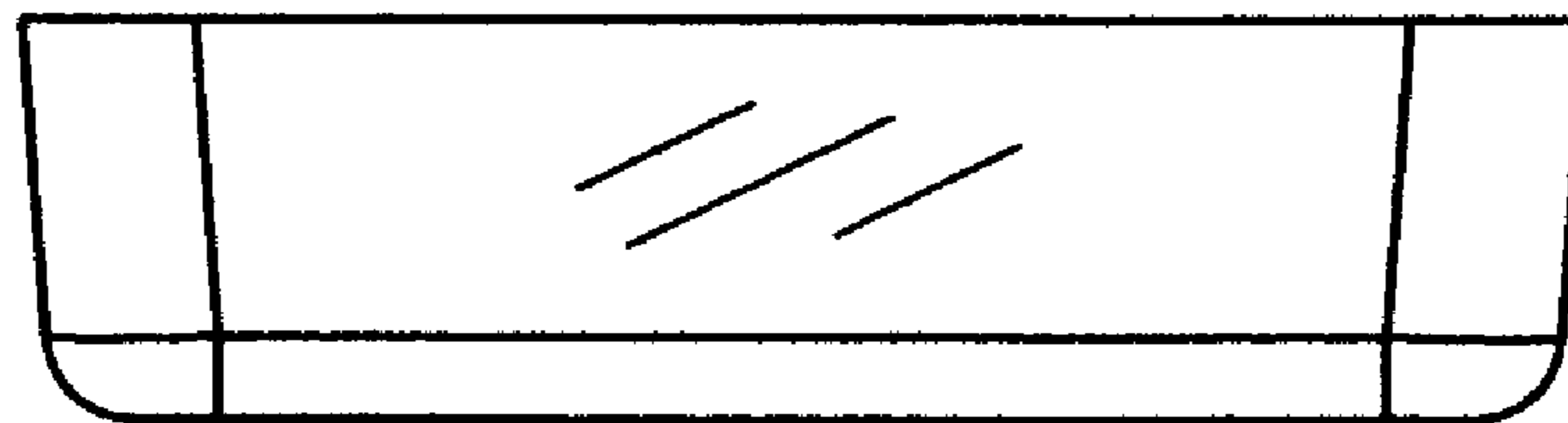


FIG. 8

FIG. 9

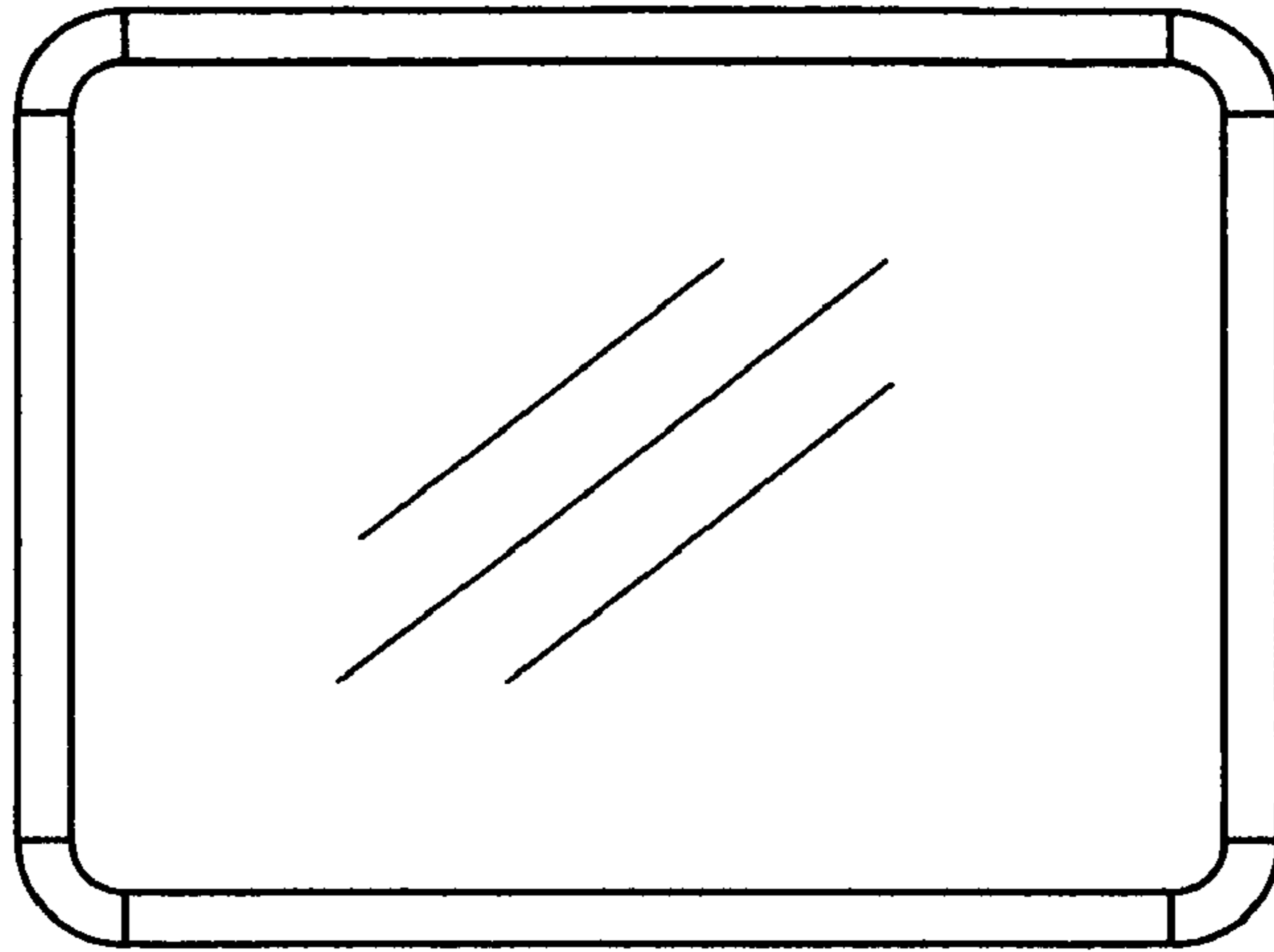


FIG. 10

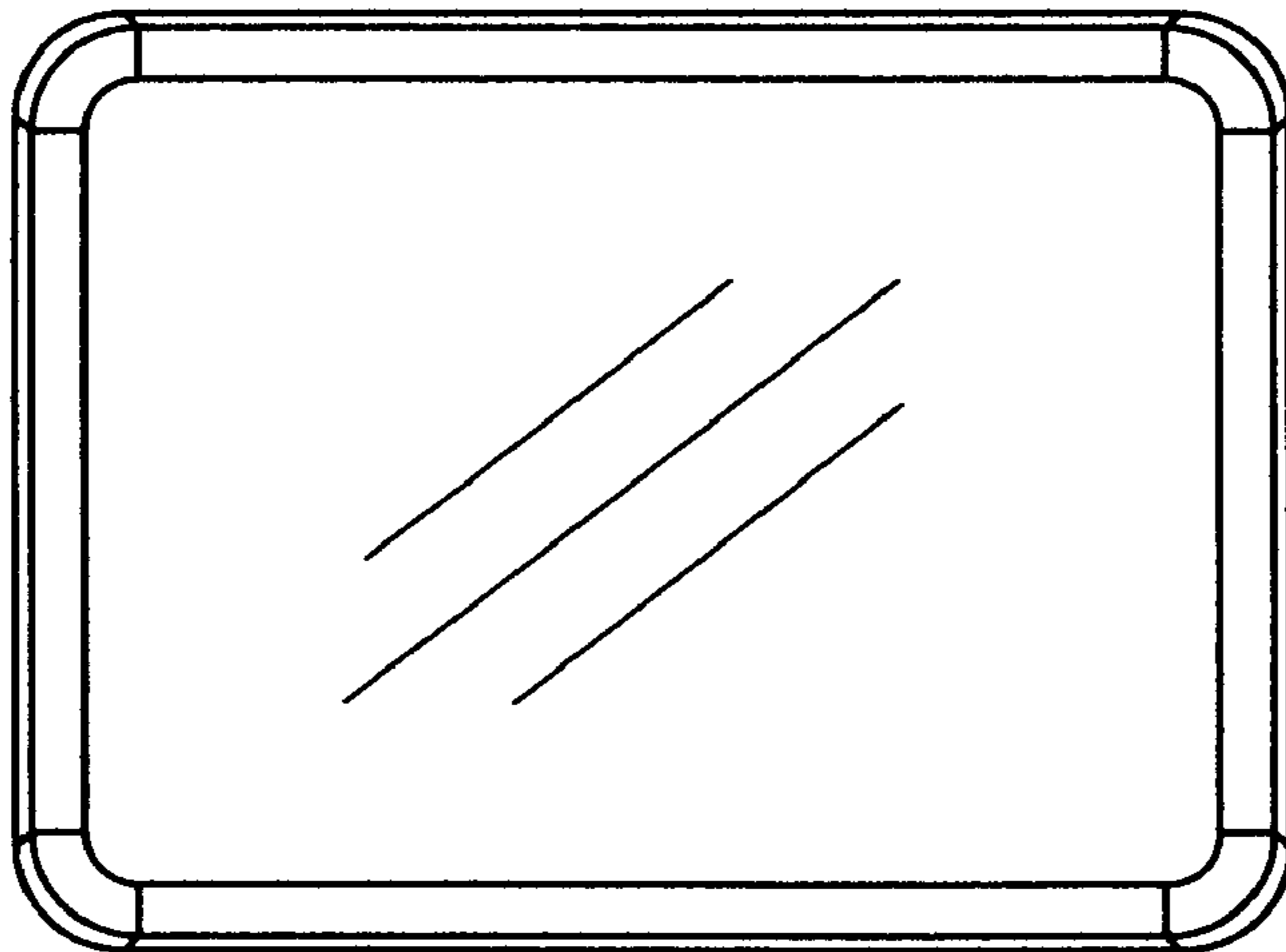
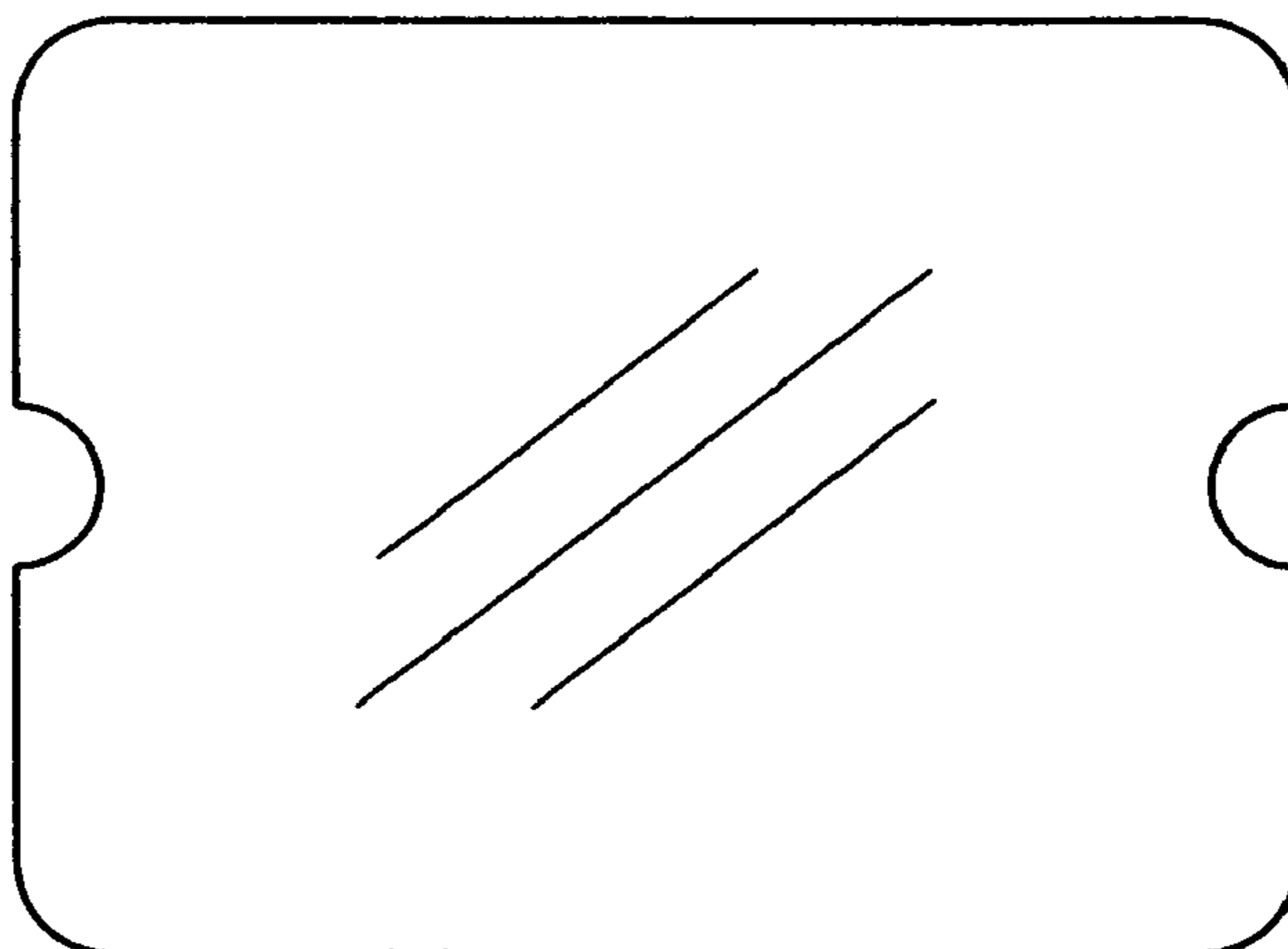


FIG. 11



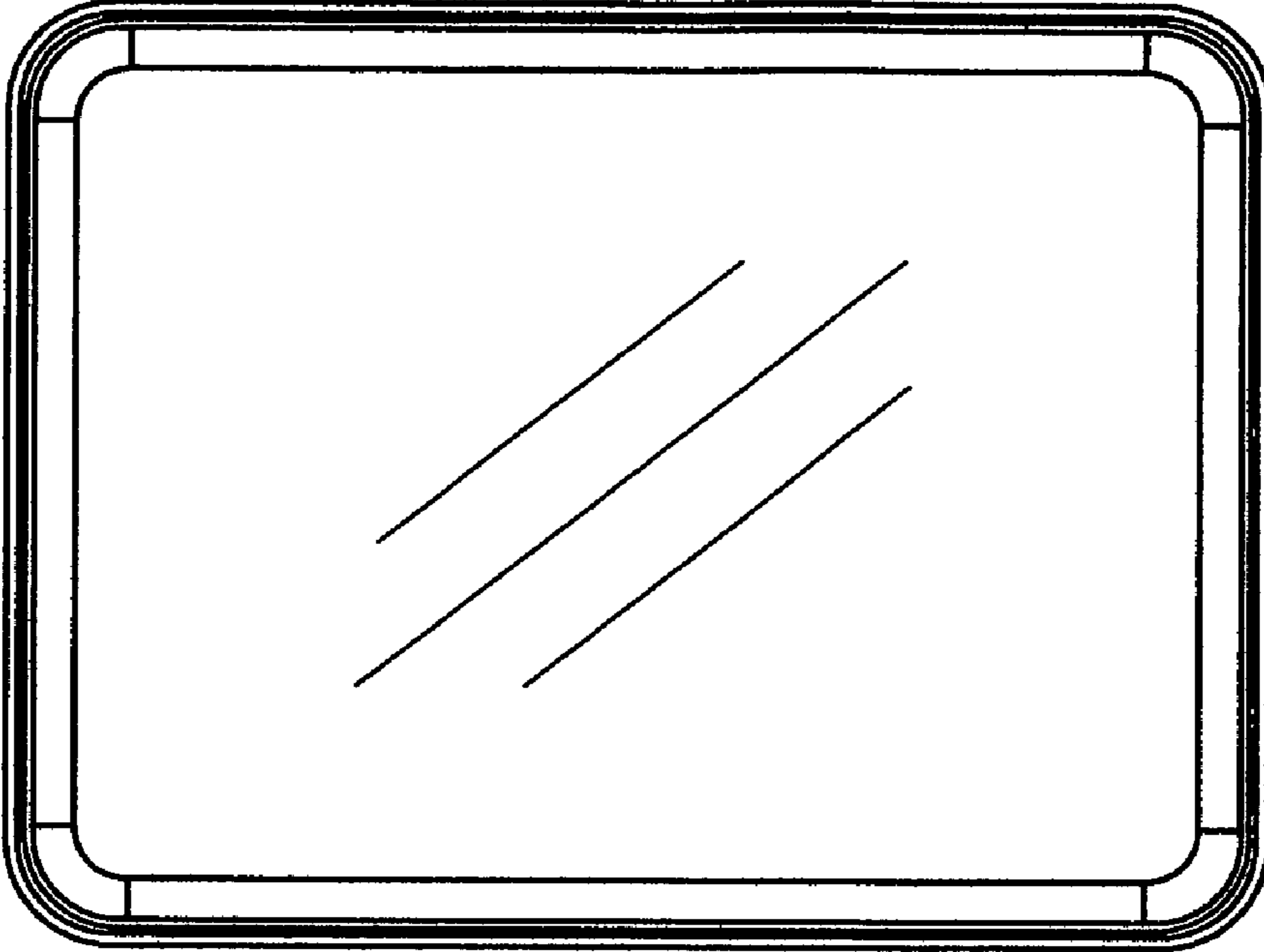


FIG. 12

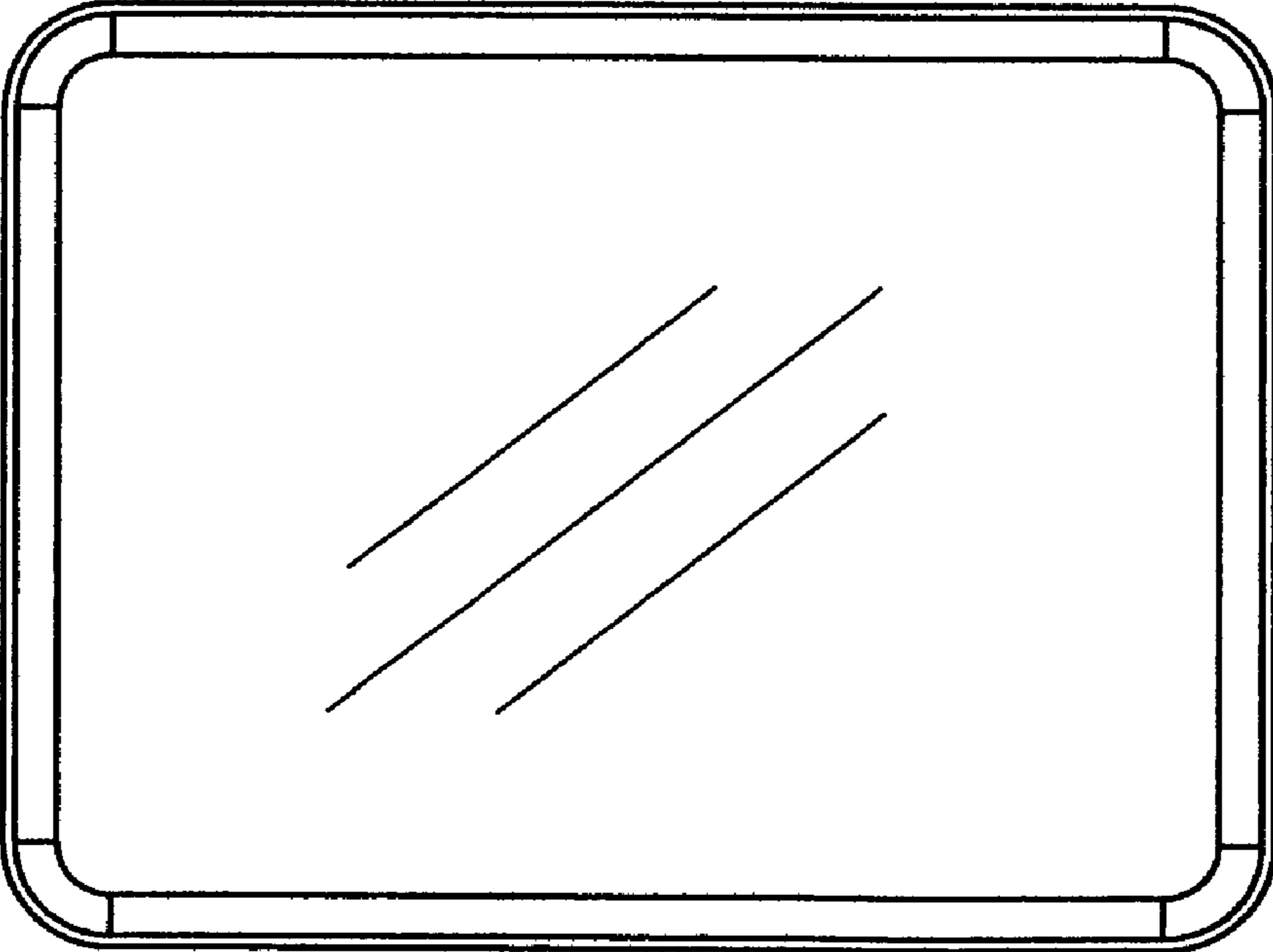


FIG. 13