

US00D666876S

(12) **United States Design Patent**
Rusnak

(10) **Patent No.:** **US D666,876 S**
(45) **Date of Patent:** **** Sep. 11, 2012**

(54) **CONTAINER FOR FOOD**

(75) Inventor: **John E. Rusnak**, Willowbrook, IL (US)

(73) Assignee: **The Glad Products Company**, Oakland, CA (US)

(**) Term: **14 Years**

(21) Appl. No.: **29/403,413**

(22) Filed: **Oct. 5, 2011**

(51) **LOC (9) Cl.** **07-07**

(52) **U.S. Cl.** **D7/602**

(58) **Field of Classification Search** D7/601,
D7/602, 629, 630, 538-542, 612-615, 584,
D7/586, 587; D9/424-432; 220/780-802,
220/675, 574-575, 236, 324, 326, 4.23-4.25,
220/256.1, 836, 833, 835, 839; 229/406,
229/407, 906

See application file for complete search history.

(56) **References Cited**

U.S. PATENT DOCUMENTS

D287,559 S *	1/1987	Daenen et al.	D7/586
D384,555 S *	10/1997	Bradley	D7/545
D432,866 S *	10/2000	Harrison	D7/545
D440,470 S	4/2001	Tucker et al.		
D440,830 S	4/2001	Tucker et al.		
D519,327 S	4/2006	Tucker et al.		
D539,098 S	3/2007	Tucker et al.		
D539,099 S	3/2007	Tucker et al.		

D555,476 S *	11/2007	Nielsen	D9/425
D555,982 S	11/2007	Tucker et al.		
D555,983 S	11/2007	Tucker et al.		
D562,640 S	2/2008	Tucker et al.		
D566,482 S	4/2008	Tucker et al.		
D566,483 S	4/2008	Tucker et al.		
D595,128 S *	6/2009	Bouveret et al.	D9/425
D601,388 S *	10/2009	Carlson	D7/602
D601,857 S *	10/2009	Carlson	D7/602
D614,919 S *	5/2010	Carlson	D7/602
D618,516 S *	6/2010	DiPietro et al.	D7/629
D631,707 S *	2/2011	Samartgis	D7/602

* cited by examiner

Primary Examiner — Terry Wallace

(74) *Attorney, Agent, or Firm* — David Peterson

(57) **CLAIM**

The ornamental design for a container for food, as shown and described.

DESCRIPTION

FIG. 1 is a front perspective view of a container for food showing our new design;

FIG. 2 is a top plan view thereof;

FIG. 3 is a bottom plan view thereof;

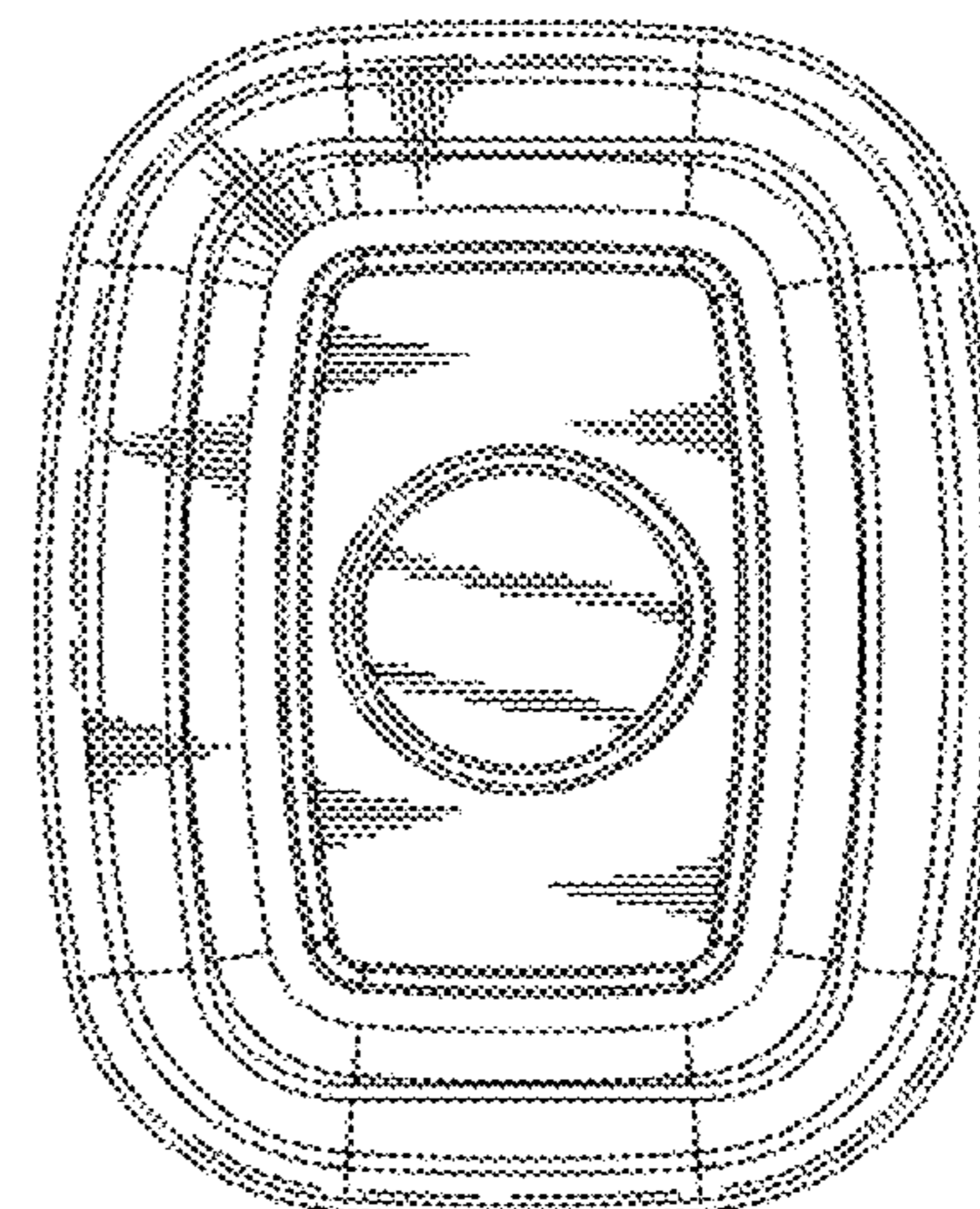
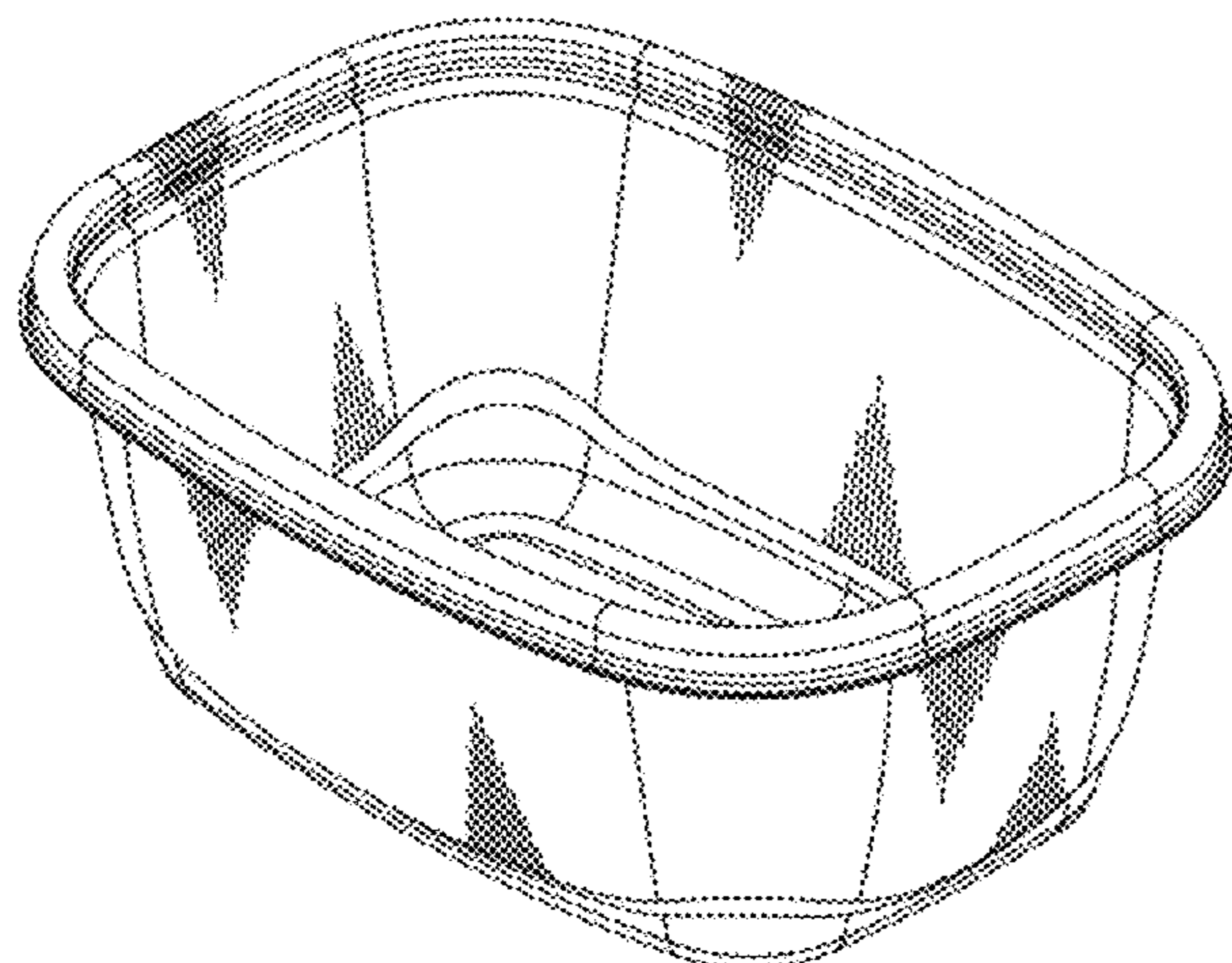
FIG. 4 is a rear view thereof;

FIG. 5; is a right side view thereof;

FIG. 6 is a front side view thereof; and,

FIG. 7 is a left side view thereof.

1 Claim, 2 Drawing Sheets



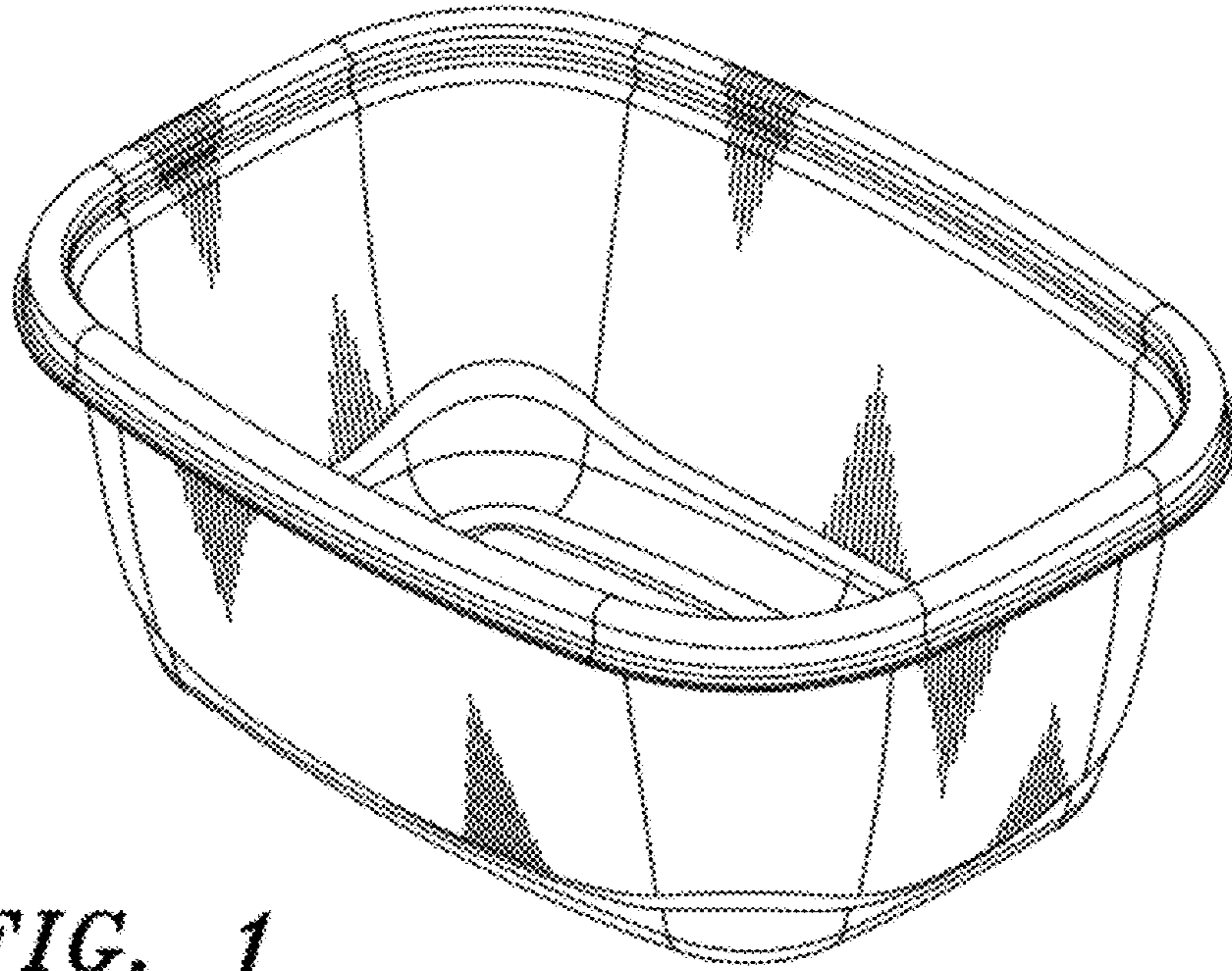


FIG. 1

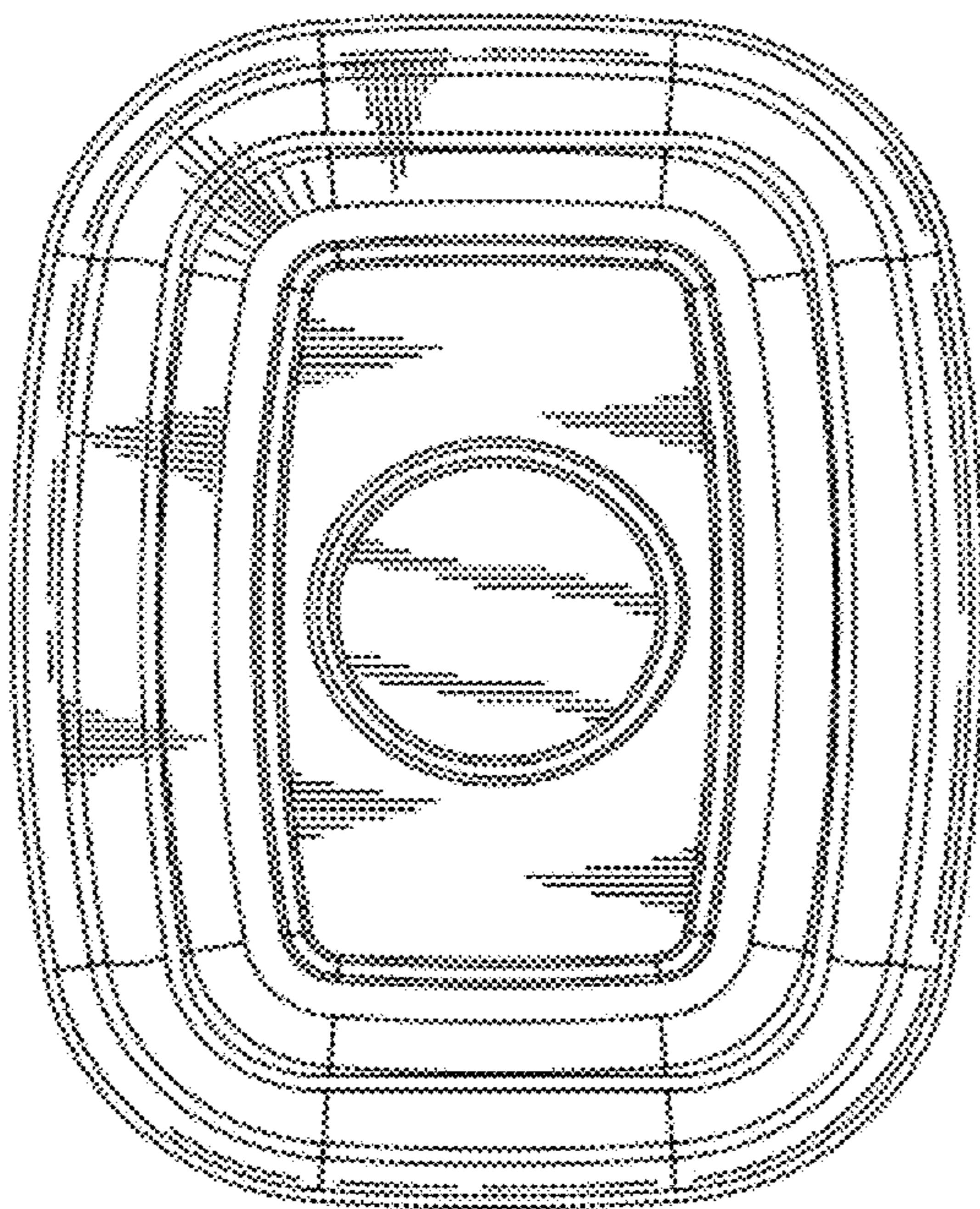


FIG. 2

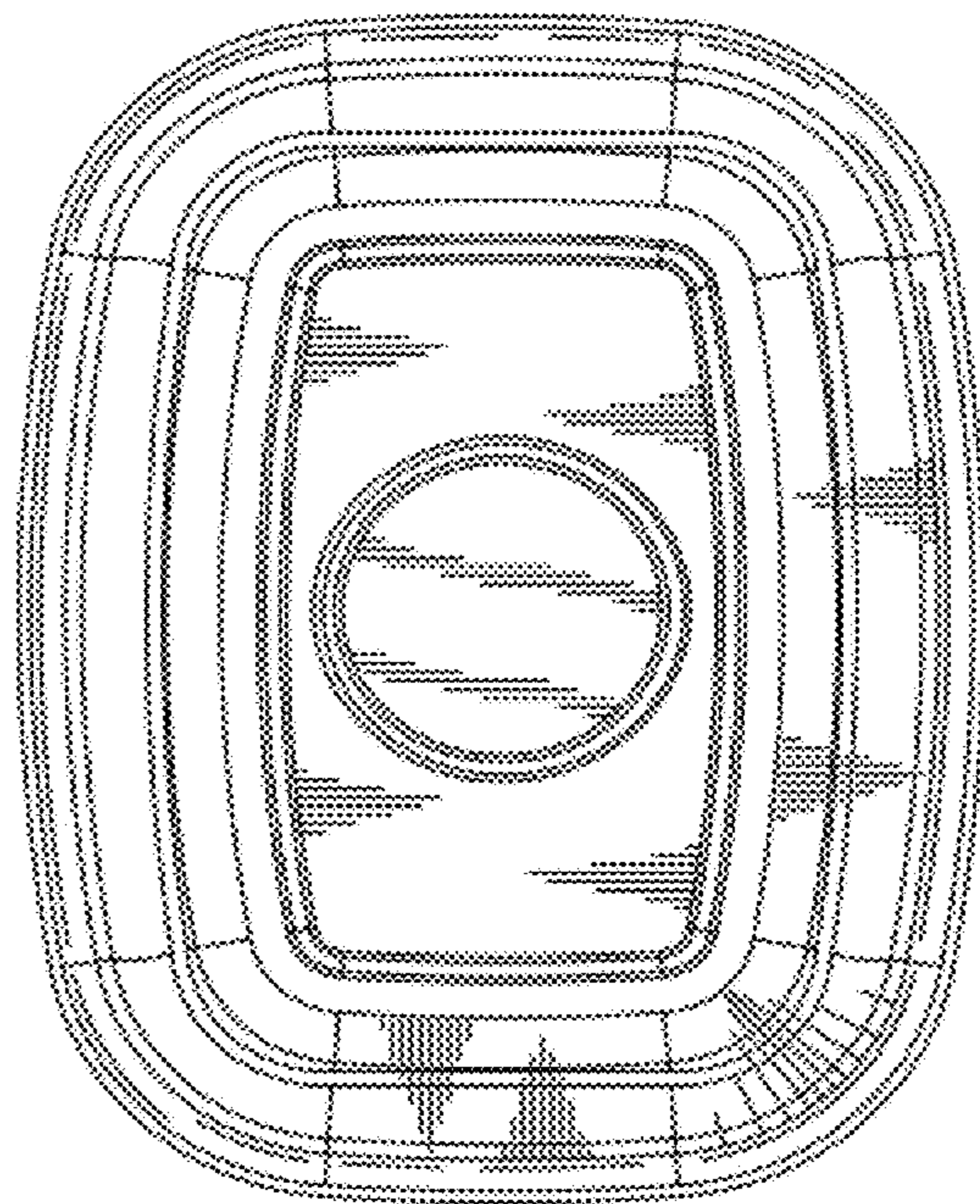


FIG. 3

