

US00D666875S

(12) **United States Design Patent**  
**Rusnak**

(10) **Patent No.:** **US D666,875 S**

(45) **Date of Patent:** **\*\* Sep. 11, 2012**

(54) **CONTAINER FOR FOOD**

(75) **Inventor:** **John E. Rusnak**, Willowbrook, IL (US)

(73) **Assignee:** **The Glad Products Company**, Oakland, CA (US)

(\*\*) **Term:** **14 Years**

(21) **Appl. No.:** **29/403,409**

(22) **Filed:** **Oct. 5, 2011**

(51) **LOC (9) Cl.** ..... **07-07**

(52) **U.S. Cl.** ..... **D7/602**

(58) **Field of Classification Search** ..... D7/601,  
D7/602, 629, 630, 538-542, 612-615, 584,  
D7/586, 587; D9/424-432; 220/780-802,  
220/675, 574-575, 236, 324, 326, 4.23-4.25,  
220/256.1, 836, 833, 835, 839; 229/406,  
229/407, 906

See application file for complete search history.

(56) **References Cited**

**U.S. PATENT DOCUMENTS**

D287,559 S	*	1/1987	Daenen et al.	.....	D7/586
D384,555 S	*	10/1997	Bradley	.....	D7/545
D432,866 S	*	10/2000	Harrison	.....	D7/545
D440,470 S		4/2001	Tucker et al.		
D440,830 S		4/2001	Tucker et al.		
D505,596 S		5/2005	Tucker et al.		
D519,327 S		4/2006	Tucker et al.		

D539,098 S		3/2007	Tucker et al.		
D539,099 S		3/2007	Tucker et al.		
D555,476 S	*	11/2007	Nielsen	.....	D9/425
D555,982 S		11/2007	Tucker et al.		
D555,983 S		11/2007	Tucker et al.		
D562,640 S		2/2008	Tucker et al.		
D566,482 S		4/2008	Tucker et al.		
D566,483 S		4/2008	Tucker et al.		
D595,128 S	*	6/2009	Bouveret et al.	.....	D9/425
D601,388 S	*	10/2009	Carlson	.....	D7/602
D601,857 S	*	10/2009	Carlson	.....	D7/602
D614,919 S	*	5/2010	Carlson	.....	D7/602
D618,516 S	*	6/2010	DiPietro et al.	.....	D7/629
D631,707 S	*	2/2011	Samartgis	.....	D7/602

\* cited by examiner

*Primary Examiner* — Terry Wallace

(74) *Attorney, Agent, or Firm* — David Peterson

(57) **CLAIM**

The ornamental design for a container for food, as shown and described.

**DESCRIPTION**

FIG. 1 is a front perspective view of a container for food showing our new design;

FIG. 2 is a top plan view thereof;

FIG. 3 is a bottom plan view thereof;

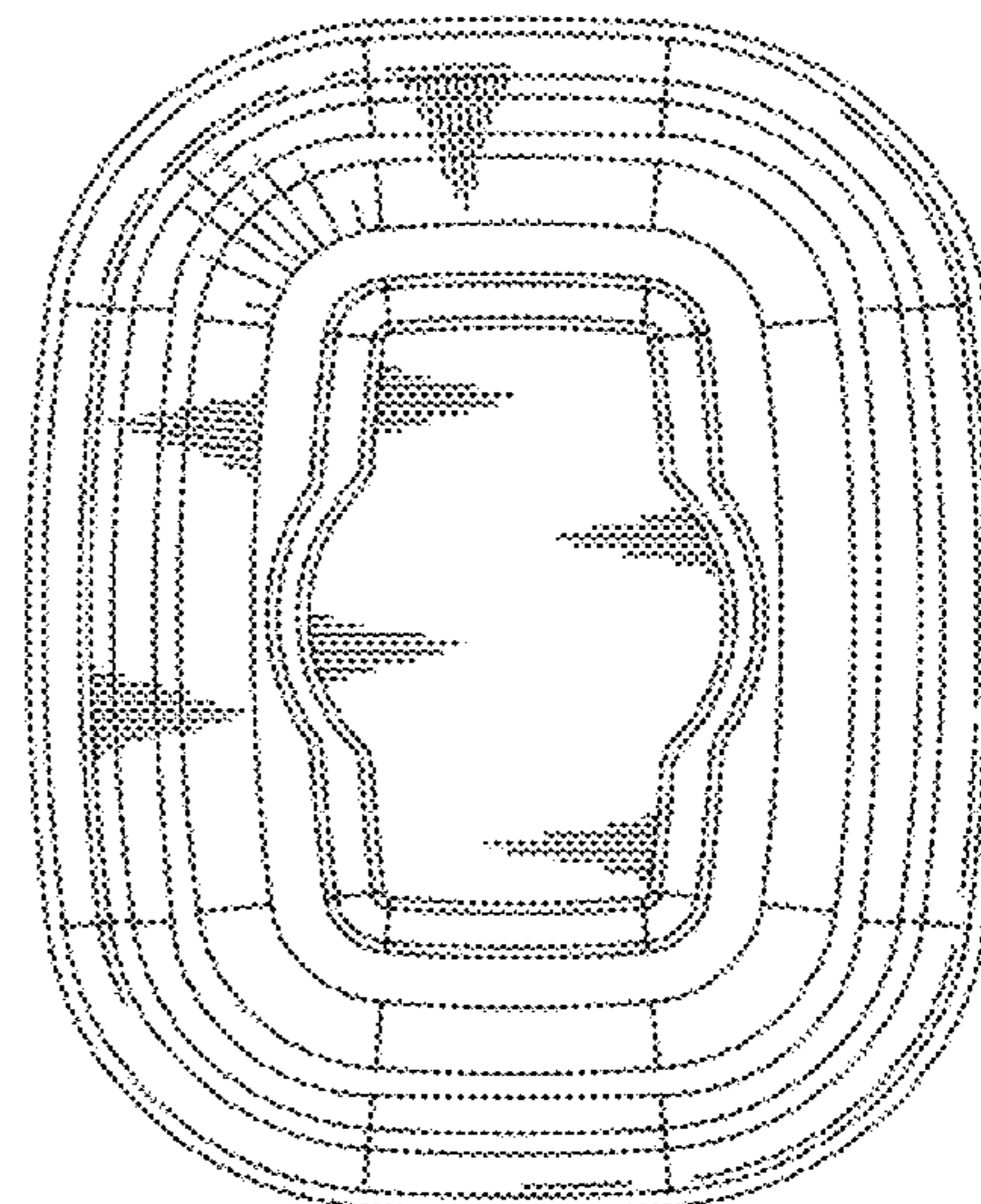
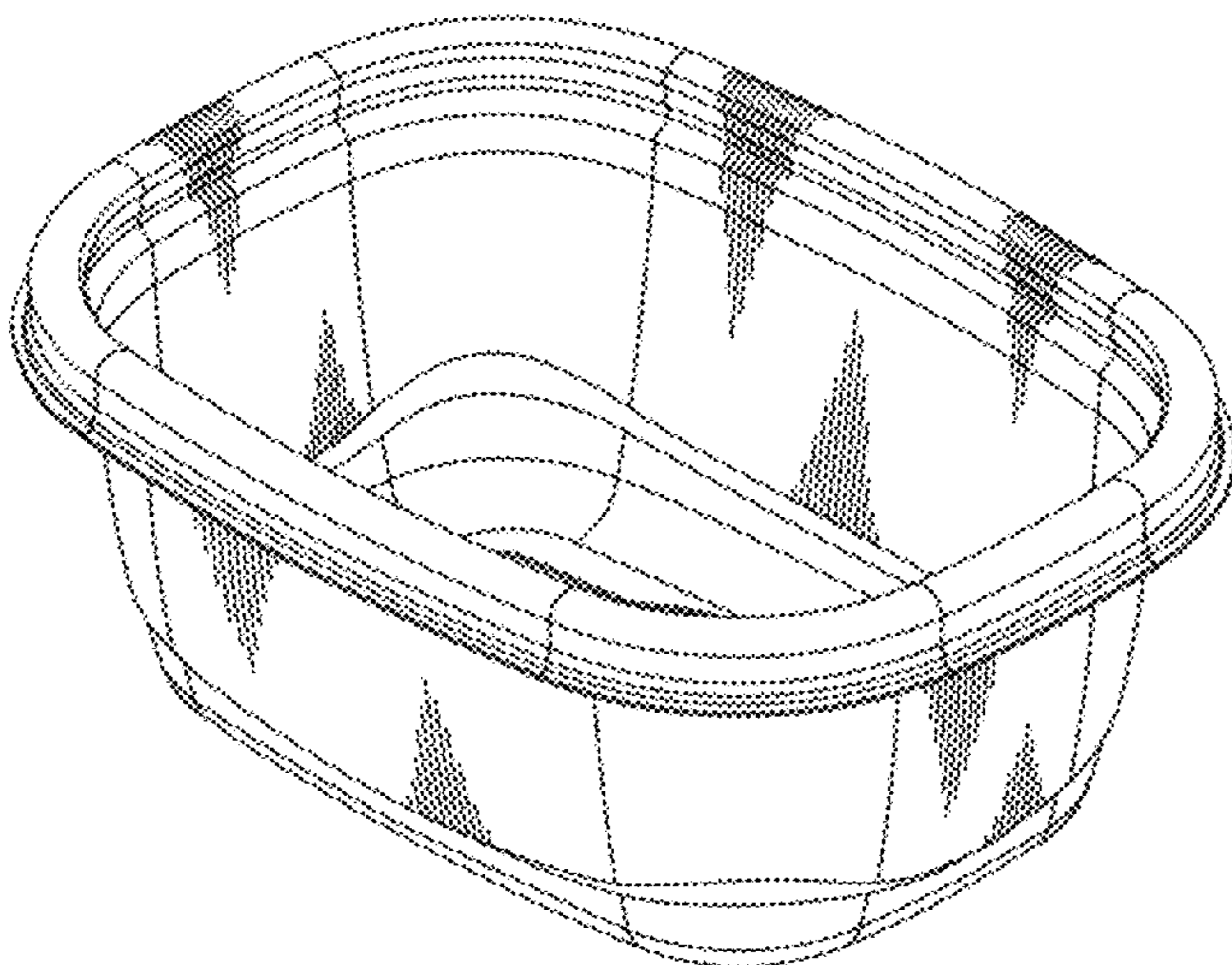
FIG. 4 is a rear view thereof;

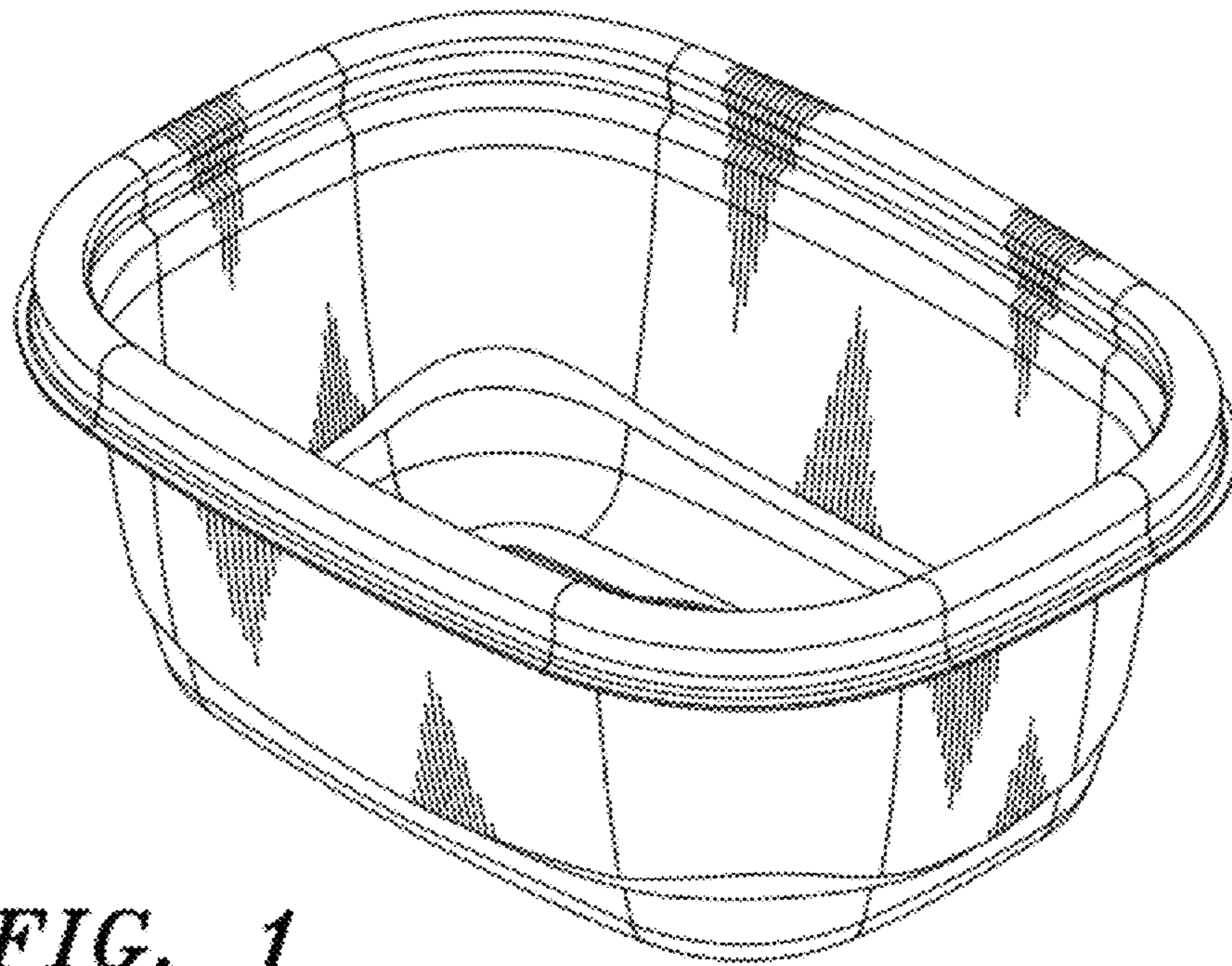
FIG. 5; is a right side view thereof;

FIG. 6 is a front side view thereof; and,

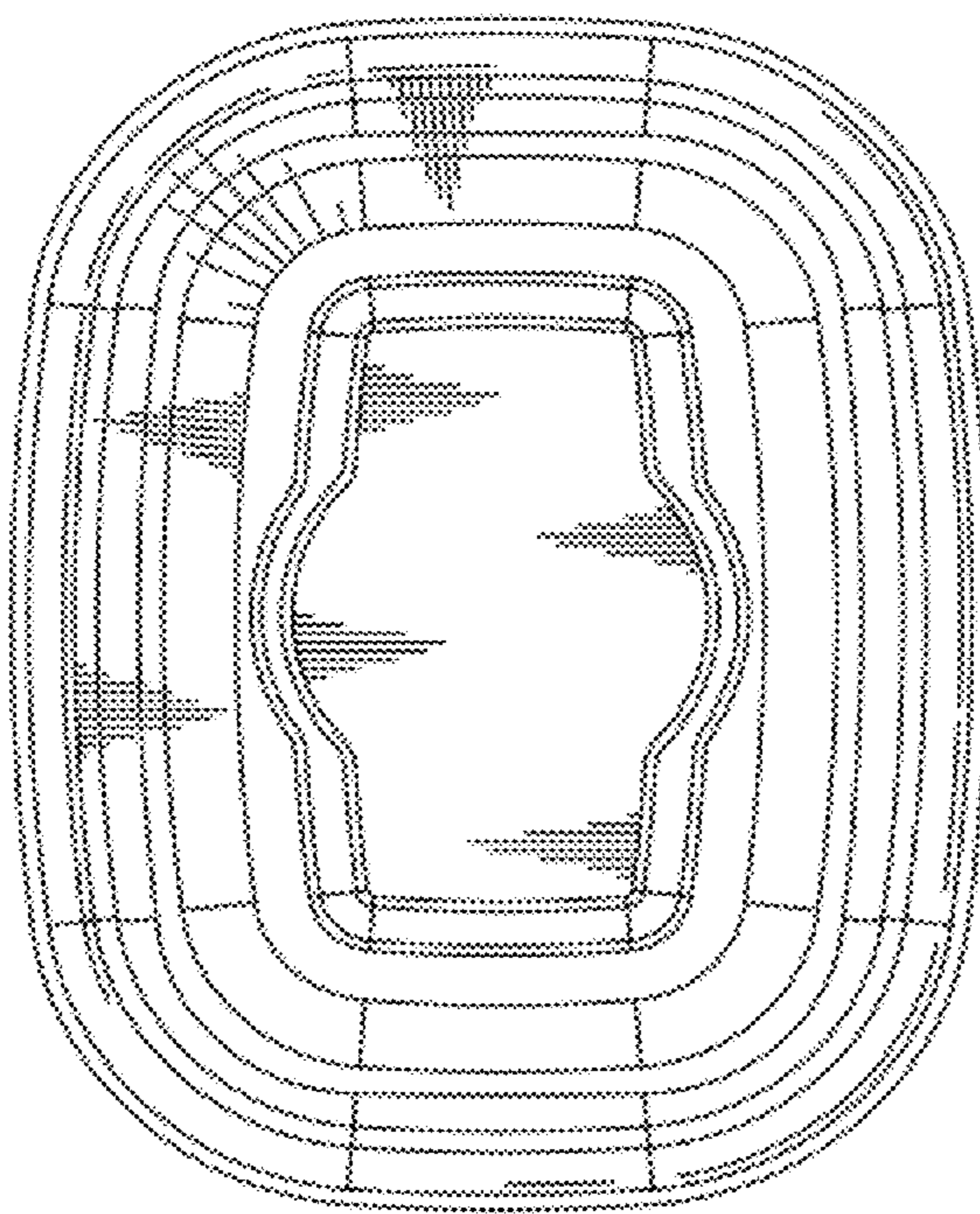
FIG. 7 is a left side view thereof.

**1 Claim, 2 Drawing Sheets**

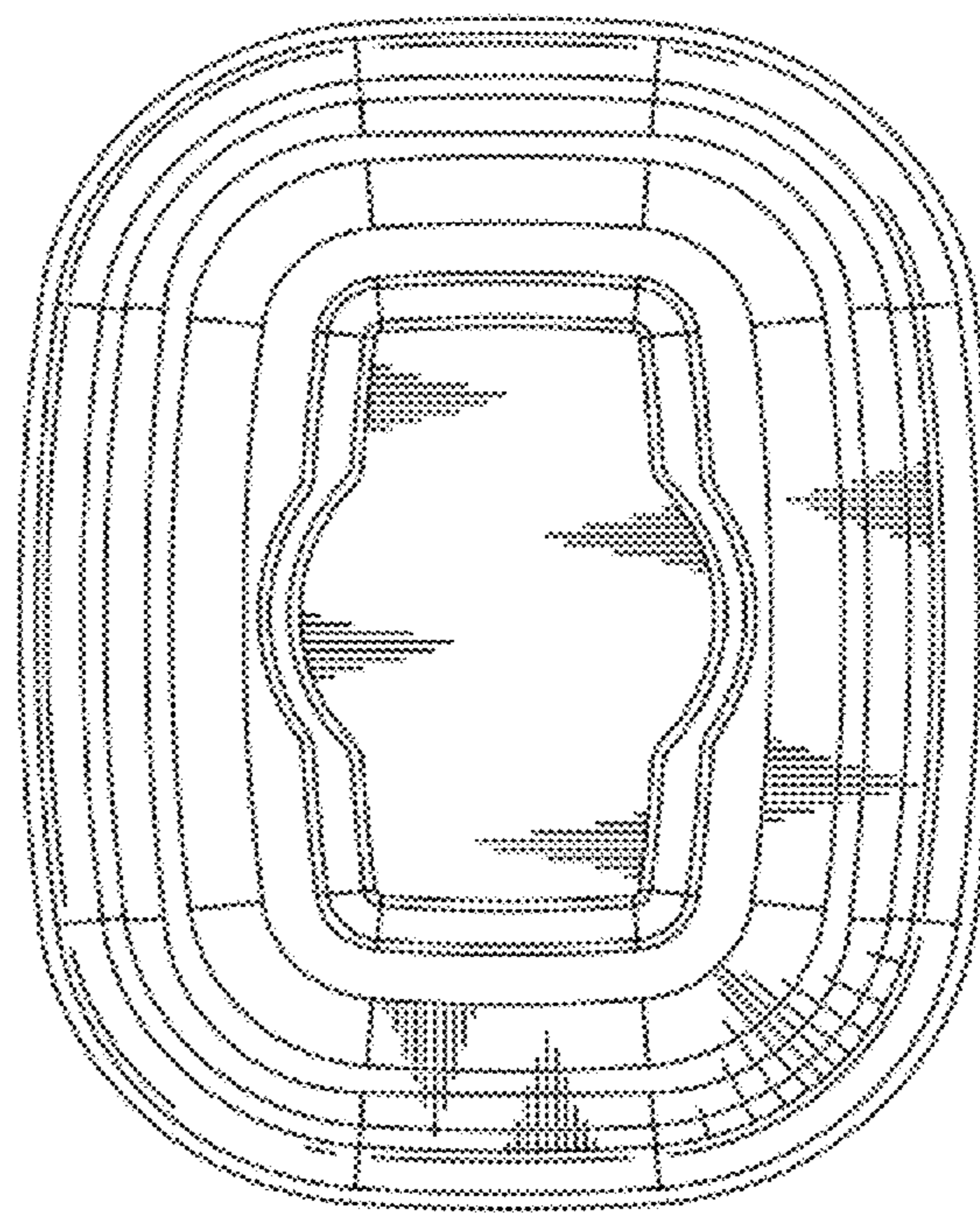




*FIG. 1*



*FIG. 2*



*FIG. 3*

