

US00D666871S

(12) **United States Design Patent**  
**Chan**

(10) **Patent No.:** **US D666,871 S**

(45) **Date of Patent:** **\*\* Sep. 11, 2012**

(54) **COOKER COVER**

(76) Inventor: **Man Ying Eddie Chan, Kowloon (HK)**

(\*\*) Term: **14 Years**

(21) Appl. No.: **29/380,029**

(22) Filed: **Nov. 29, 2010**

(51) **LOC (9) Cl.** ..... **07-02**

(52) **U.S. Cl.** ..... **D7/402**

(58) **Field of Classification Search** ..... D7/325,  
D7/332-334, 337, 354-361, 387, 391-392,  
D7/402, 407, 409, 500, 503, 538, 542, 569,  
D7/601, 610, 628; 126/215, 369, 275 R;  
219/421.1; 220/574, 780, 912

See application file for complete search history.

(56) **References Cited**

**U.S. PATENT DOCUMENTS**

1,566,185	A *	12/1925	Elmgren	.....	219/462.1
1,922,420	A *	8/1933	Coulston	.....	126/215
D99,533	S *	5/1936	Straus	.....	D7/539
D99,558	S *	5/1936	Straus	.....	D7/539
D243,429	S *	2/1977	Thrush	.....	D7/539
D247,945	S *	5/1978	Saunders	.....	D7/539
D257,607	S *	12/1980	Smith	.....	D7/610
D270,606	S *	9/1983	McCrary et al.	.....	D7/334
D274,402	S *	6/1984	Ziskind	.....	D7/391
D307,227	S *	4/1990	Sibilio et al.	.....	D7/610
D324,153	S *	2/1992	Wood	.....	D7/402
D331,523	S *	12/1992	Sarnoff et al.	.....	D7/409
D332,202	S *	1/1993	Mosa	.....	D7/569
D342,187	S *	12/1993	Chen	.....	D7/354
D342,188	S *	12/1993	Chen	.....	D7/503
D388,659	S *	1/1998	Doyle et al.	.....	D7/407

D395,982	S *	7/1998	Dunn et al.	.....	D7/332
D397,580	S *	9/1998	Dunn et al.	.....	D7/334
D419,831	S *	2/2000	Jaracz	.....	D7/628
D438,759	S *	3/2001	Adams	.....	D7/542
D461,994	S *	8/2002	Hung	.....	D7/402
D480,263	S *	10/2003	Lillelund et al.	.....	D7/391
D537,669	S *	3/2007	Loving	.....	D7/332
D559,612	S *	1/2008	Yount	.....	D7/334
D568,679	S *	5/2008	Regnart	.....	D7/391
D569,172	S *	5/2008	Bledsoe	.....	D7/391
D592,004	S *	5/2009	Loving	.....	D7/337

\* cited by examiner

*Primary Examiner* — T. Chase Nelson

*Assistant Examiner* — Mark Cavanna

(74) *Attorney, Agent, or Firm* — Howard C. Miskin; Gloria Tsui-Yip

(57) **CLAIM**

The ornamental design for a cooker cover, as shown and described.

**DESCRIPTION**

FIG. 1 is a front elevation view of the cooker cover showing my new design;  
FIG. 2 is a rear elevation view thereof;  
FIG. 3 is a top view thereof;  
FIG. 4 is a bottom view thereof;  
FIG. 5 is a right elevation view thereof;  
FIG. 6 is a left elevation view thereof; and,  
FIG. 7 is a perspective view thereof.  
The broken lines are included for the purpose of illustrating portions of the cooker cover that form no part of the claimed design.

**1 Claim, 4 Drawing Sheets**



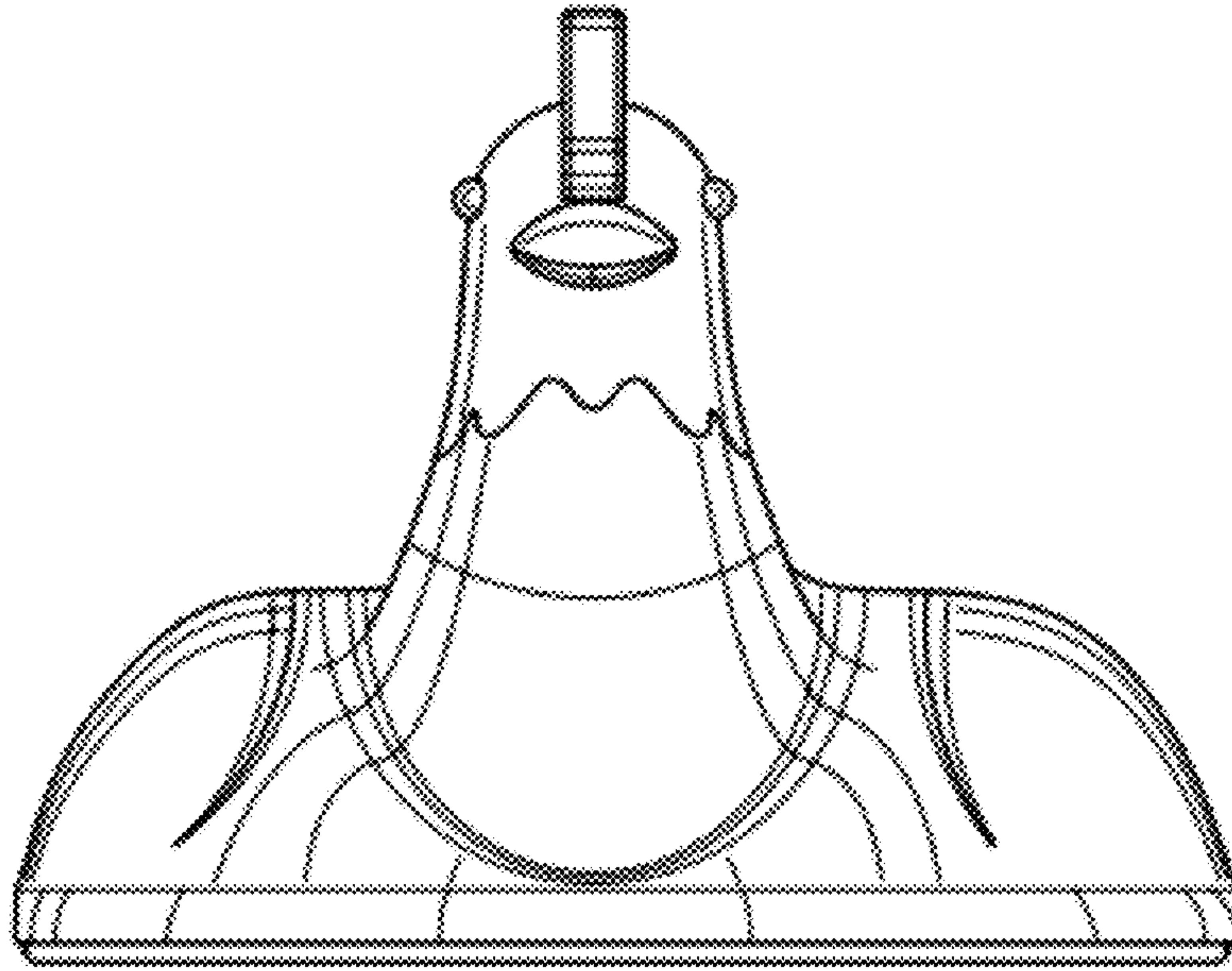


Fig.1

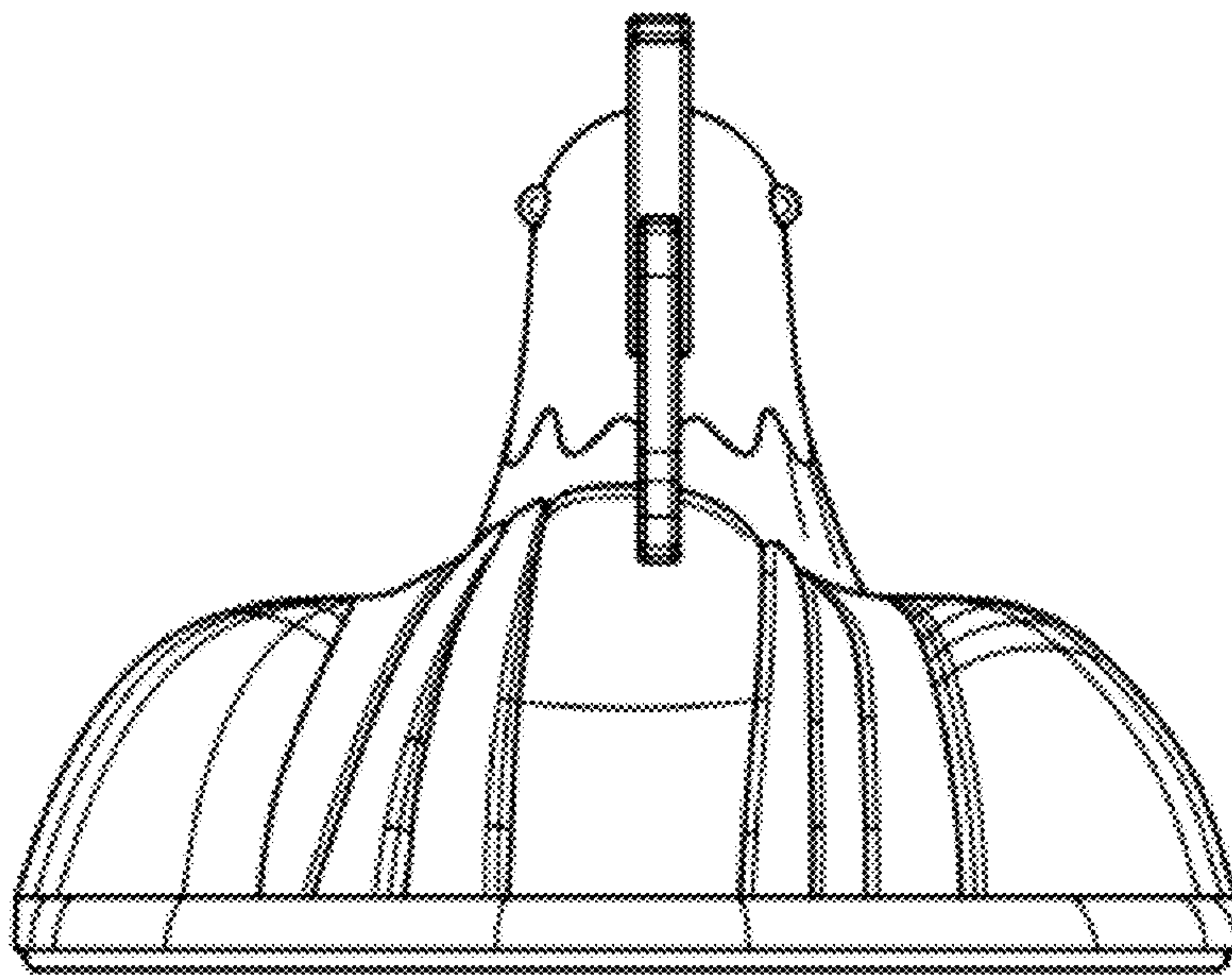


Fig.2

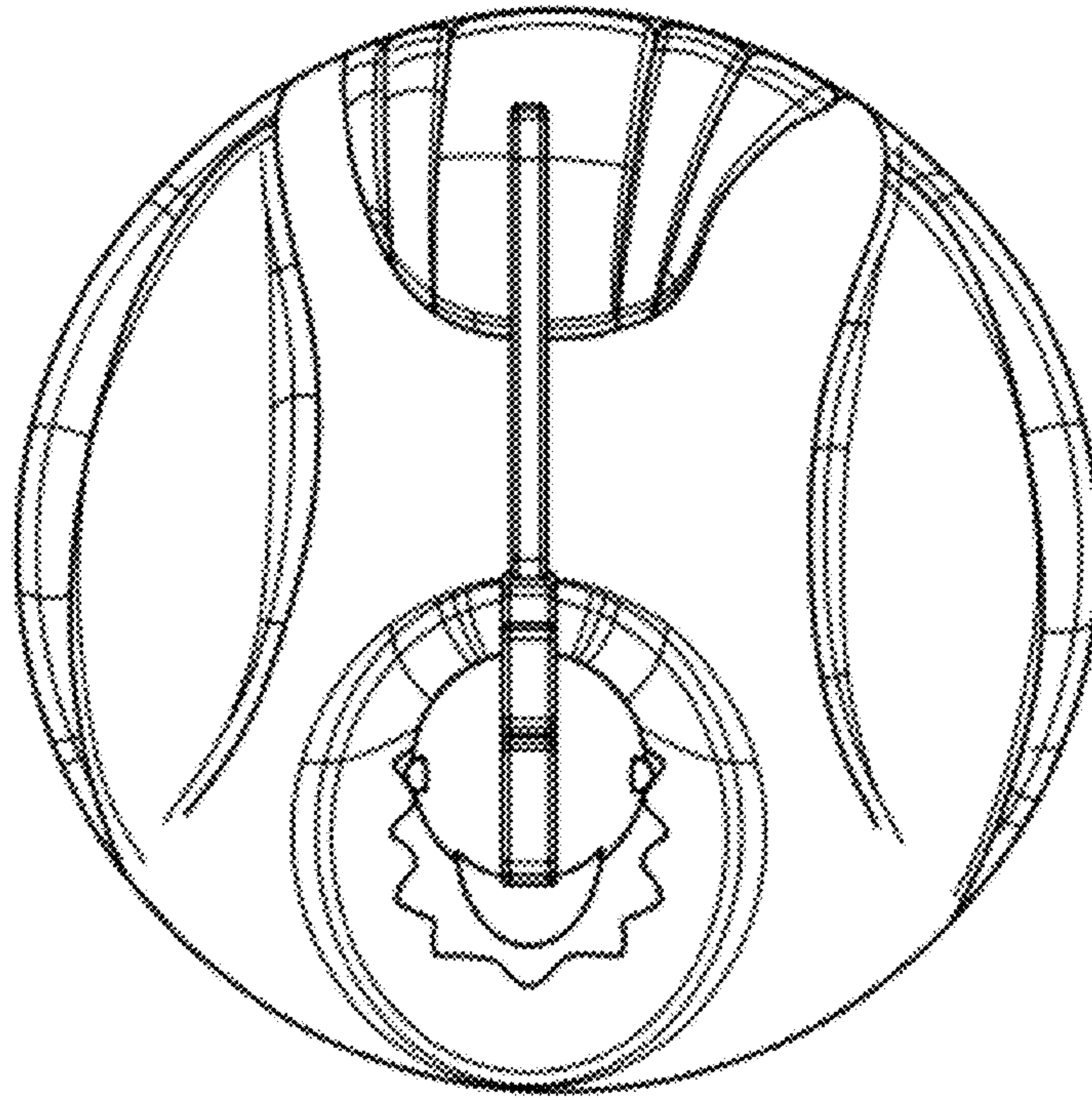


Fig.3

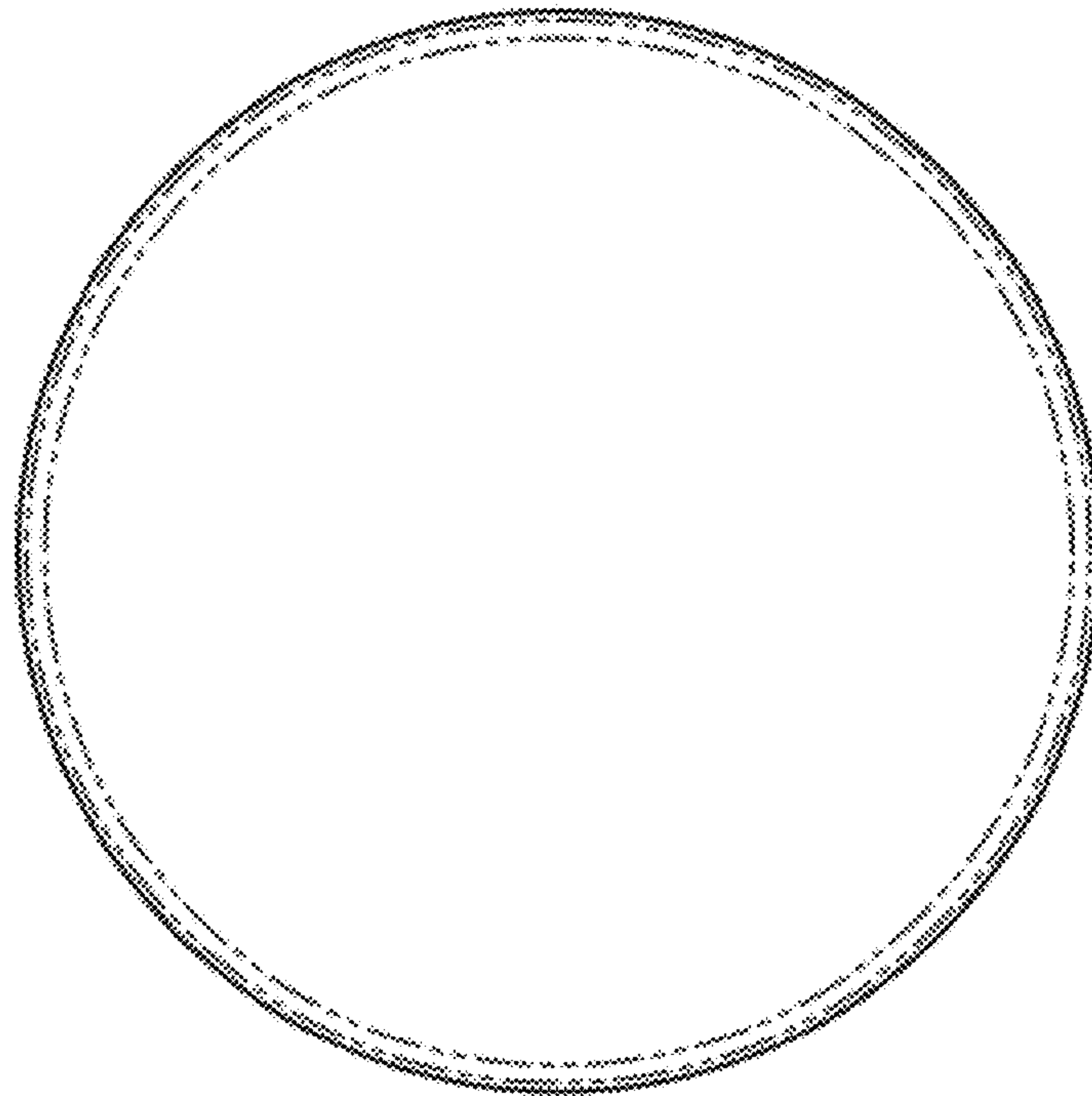


Fig.4



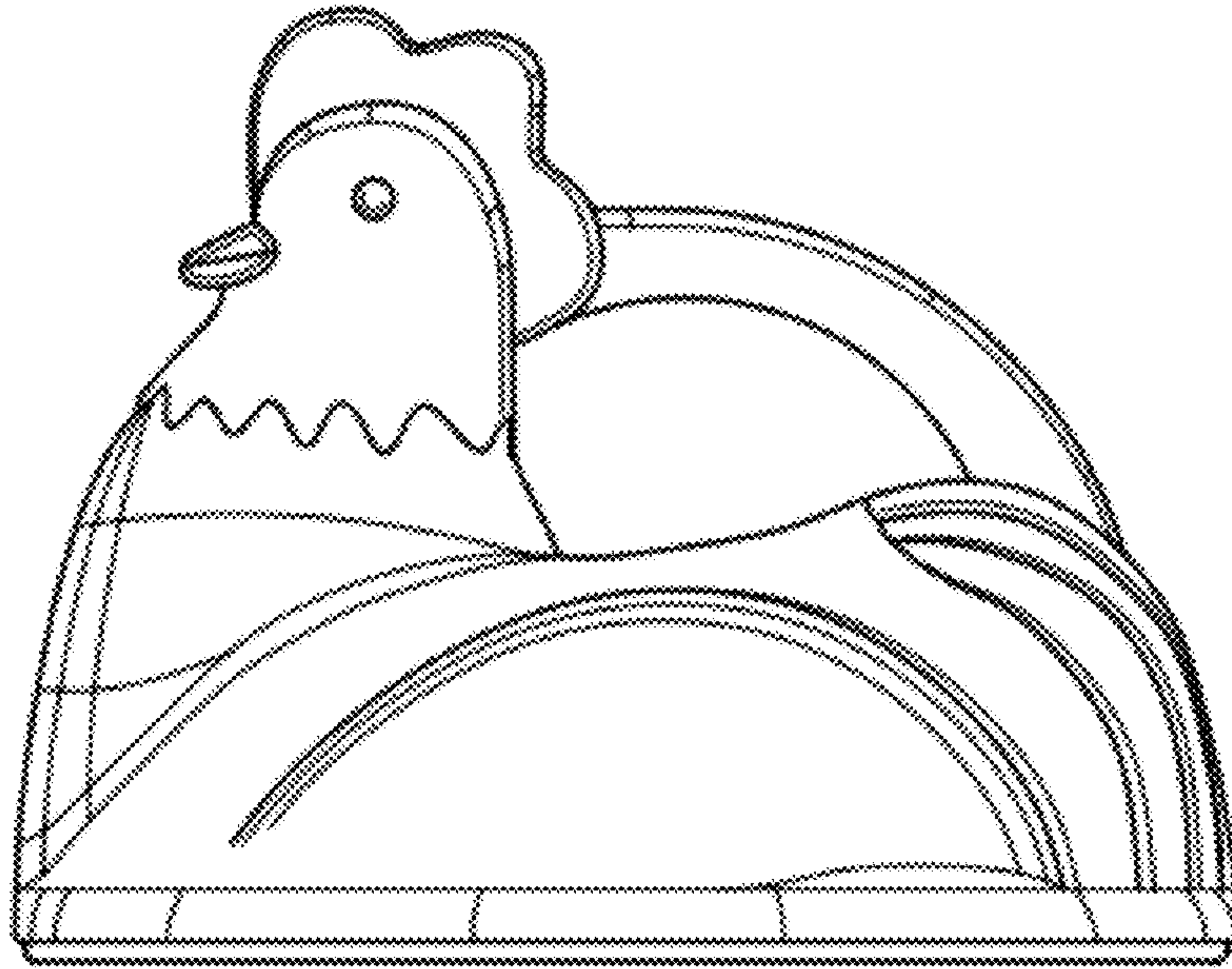


Fig.5

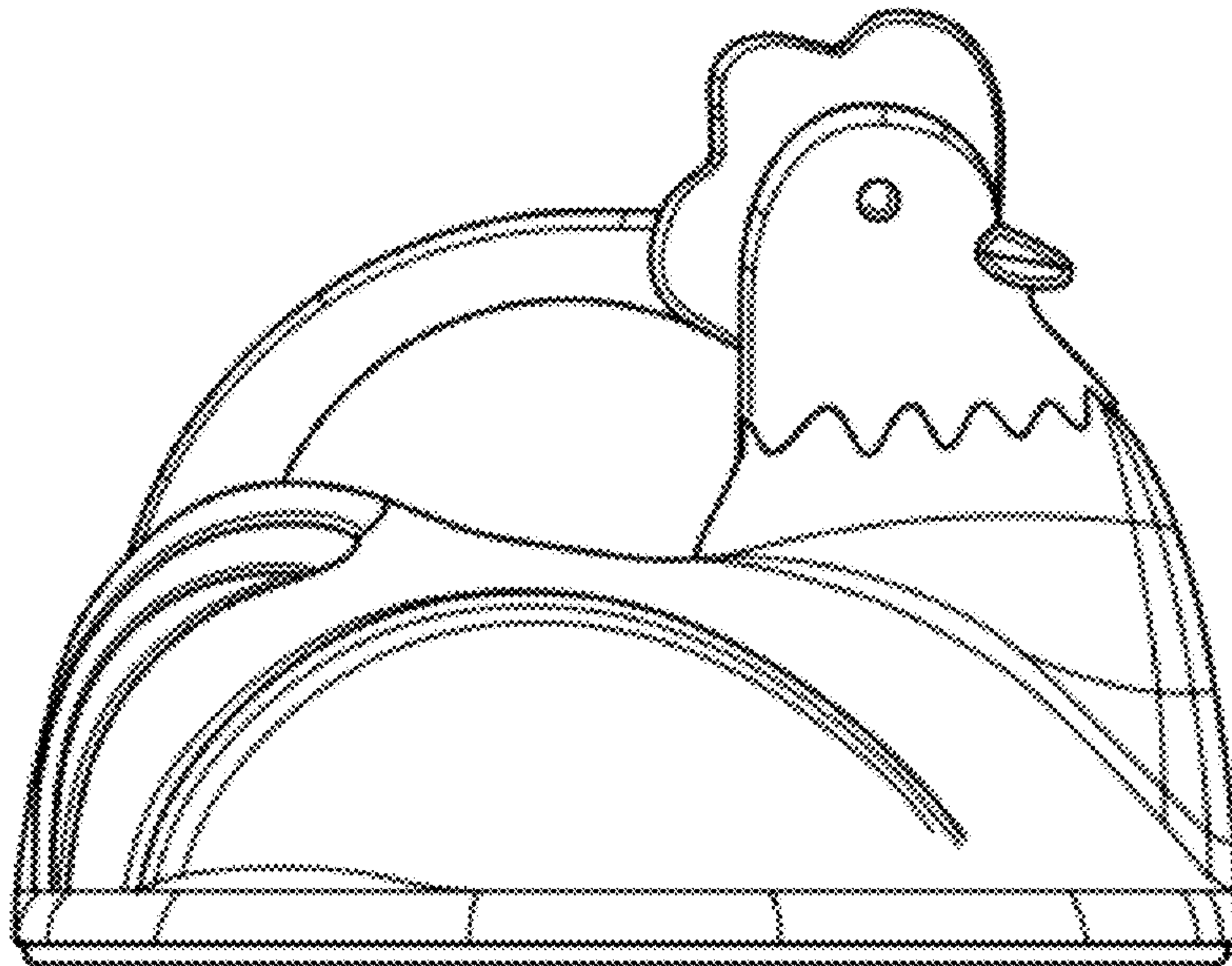


Fig.6



Fig.7